

第 39 期

## 第二組

澳門特別行政區公報  
由第一組及第二組組成

二零一四年九月二十六日，星期五



Número 39

## II

SÉRIE

do *Boletim Oficial* da Região Administrativa  
Especial de Macau, constituído pelas séries I e II

Sexta-feira, 26 de Setembro de 2014

# 澳門特別行政區公報 BOLETIM OFICIAL DA REGIÃO ADMINISTRATIVA ESPECIAL DE MACAU

## 副 刊 SUPLEMENTO

### 目 錄

#### 澳門特別行政區

##### 行政長官辦公室：

第49/2014號行政長官公告，命令公佈二零一二年五月二十四日通過的《1966年國際載重線公約1988年議定書》修正案。..... 16725

第50/2014號行政長官公告，命令公佈聯合國安全理事會第1988（2011）號決議所設委員會於二零一四年五月十六日更新的個人和實體名單。 16727

### SUMÁRIO

#### REGIÃO ADMINISTRATIVA ESPECIAL DE MACAU

##### Gabinete do Chefe do Executivo:

Aviso do Chefe do Executivo n.º 49/2014, que manda publicar emendas ao Protocolo de 1988 relativo à Convenção Internacional das Linhas de Carga, 1966, adoptadas em 24 de Maio de 2012. .... 16725

Aviso do Chefe do Executivo n.º 50/2014, que manda publicar a lista das pessoas singulares e entidades, tal como actualizada à data de 16 de Maio de 2014 pelo Comité estabelecido pela Resolução n.º 1988 (2011) do Conselho de Segurança das Nações Unidas. .... 16727

印務局，澳門官印局街。電話：2857 3822 • 傳真：2859 6802 • 電子郵件：info@io.gov.mo

Imprensa Oficial, Rua da Imprensa Nacional — Macau. Tel.: 2857 3822 • Fax: 2859 6802 • E-mail: info@io.gov.mo  
網址 Website: <http://www.io.gov.mo>

第51/2014號行政長官公告，命令公佈二零一二年十一月三十日通過的《1966年國際載重線公約1988年議定書》修正案。.....	16818	Aviso do Chefe do Executivo n.º 51/2014, que manda publicar emendas ao Protocolo de 1988 relativo à Convenção Internacional das Linhas de Carga, 1966, adoptadas em 30 de Novembro de 2012. ....	16818
第52/2014號行政長官公告，命令公佈二零一二年十一月三十日通過的《1974年國際海上人命安全公約1988年議定書》修正案。.....	16820	Aviso do Chefe do Executivo n.º 52/2014, que manda publicar emendas ao Protocolo de 1988 relativo à Convenção Internacional para a Salvaguarda da Vida Humana no Mar de 1974, adoptadas em 30 de Novembro de 2012. ....	16820
第53/2014號行政長官公告，命令公佈國際海事組織海上安全委員會於一九九一年五月二十三日通過的《國際散裝穀物安全運輸規則》。.....	16896	Aviso do Chefe do Executivo n.º 53/2014, que manda publicar o Código Internacional para o Transporte Seguro de Grãos a Granel, adoptado pelo Comité de Segurança Marítima da Organização Marítima Internacional, em 23 de Maio de 1991. ....	16896
第54/2014號行政長官公告，命令公佈國際海事組織大會於一九九三年十一月四日通過的《國際船舶安全操作和防止污染管理規則》。.....	16966	Aviso do Chefe do Executivo n.º 54/2014, que manda publicar o Código Internacional de Gestão para a Segurança da Exploração dos Navios e para a Prevenção da Poluição, adoptado pela Assembleia da Organização Marítima Internacional em 4 de Novembro de 1993. ....	16966
第55/2014號行政長官公告，命令公佈國際海事組織大會於一九九一年十一月六日通過的《貨物積載和繫固安全實用規則》。.....	16985	Aviso do Chefe do Executivo n.º 55/2014, que manda publicar o Código de Prática Segura em Armazenamento e Fixação de Carga, adoptado pela Assembleia da Organização Marítima Internacional, em 6 de Novembro de 1991. ....	16985
第56/2014號行政長官公告，命令公佈聯合國安全理事會第1267（1999）號及第1989（2011）號決議所設委員會於二零一四年六月二十六日更新的基地組織制裁名單。.....	17086	Aviso do Chefe do Executivo n.º 56/2014, que manda publicar a lista de sanções contra a Al-Qaida, tal como actualizada à data de 26 de Junho de 2014 pelo Comité estabelecido pelas Resoluções n.º 1267 (1999) e n.º 1989 (2011) do Conselho de Segurança das Nações Unidas. ....	17086
第57/2014號行政長官公告，命令公佈一九九二年四月十日通過的《1974年國際海上人命安全公約》第II-1章的修正案。.....	17248	Aviso do Chefe do Executivo n.º 57/2014, que manda publicar emendas ao capítulo II-1 da Convenção Internacional para a Salvaguarda da Vida Humana no Mar de 1974, adoptadas em 10 de Abril de 1992. ....	17248
第58/2014號行政長官公告，命令公佈一九九七年六月四日通過的《1974年國際海上人命安全公約》修正案。.....	17255	Aviso do Chefe do Executivo n.º 58/2014, que manda publicar emendas à Convenção Internacional para a Salvaguarda da Vida Humana no Mar de 1974, adoptadas em 4 de Junho de 1997. ....	17255
第59/2014號行政長官公告，命令公佈一九九二年四月十日通過的《1974年國際海上人命安全公約》第II-2章的修正案。.....	17262	Aviso do Chefe do Executivo n.º 59/2014, que manda publicar emendas ao capítulo II-2 da Convenção Internacional para a Salvaguarda da Vida Humana no Mar de 1974, adoptadas em 10 de Abril de 1992. ....	17262

## 澳門特別行政區

REGIÃO ADMINISTRATIVA ESPECIAL  
DE MACAU

## 行政長官辦公室

## GABINETE DO CHEFE DO EXECUTIVO

## 第 49/2014 號行政長官公告

## Aviso do Chefe do Executivo n.º 49/2014

中華人民共和國於二零一零年九月二十八日以照會通知國際海事組織秘書長，一九八八年十一月十一日訂於倫敦的《1966年國際載重線公約1988年議定書》（下稱“1988年議定書”）自二零一零年十月十一日起適用於澳門特別行政區；

Considerando que a República Popular da China, por nota datada de 28 de Setembro de 2010, notificou o Secretário-Geral da Organização Marítima Internacional sobre a aplicação na Região Administrativa Especial de Macau, a partir de 11 de Outubro de 2010, do Protocolo de 1988 relativo à Convenção Internacional das Linhas de Carga, 1966, concluído em Londres, em 11 de Novembro de 1988, adiante designado por Protocolo de 1988;

國際海事組織海上安全委員會於二零一二年五月二十四日透過第MSC.329(90)號決議通過了1988年議定書的修正案。根據1988年議定書第VI條第2款(g)項(ii)的規定及上指決議第3點所述，該修正案自二零一四年一月一日起對中華人民共和國生效，包括對澳門特別行政區生效；

Mais considerando que o Comité de Segurança Marítima da Organização Marítima Internacional, através da sua resolução MSC.329(90), de 24 de Maio de 2012, adoptou emendas ao Protocolo de 1988 e que, nos termos da subalínea (ii) da alínea (g) do n.º 2 do artigo VI do Protocolo de 1988, e de acordo com o n.º 3 da referida resolução, tais emendas entram em vigor na República Popular da China, incluindo a Região Administrativa Especial de Macau, em 1 de Janeiro de 2014;

基於此，行政長官根據澳門特別行政區第3/1999號法律第六條第一款的規定，命令公佈包含上指修正案的MSC.329(90)號決議的中文及英文正式文本。

O Chefe do Executivo manda publicar, nos termos do n.º 1 do artigo 6.º da Lei n.º 3/1999 da Região Administrativa Especial de Macau, a resolução MSC.329(90), que contém as referidas emendas, nos seus textos autênticos em línguas chinesa e inglesa.

二零一四年九月五日發佈。

Promulgado em 5 de Setembro de 2014.

行政長官 崔世安

O Chefe do Executivo, *Chui Sai On*.

## 第MSC.329(90)號決議

## RESOLUTION MSC.329(90)

(2012年5月24日通過)

(adopted on 24 May 2012)

經修正的《1966年國際載重線公約

AMENDMENTS TO THE PROTOCOL OF 1988

1988年議定書》修正案

RELATING TO THE INTERNATIONAL  
CONVENTION ON LOAD LINES,  
1966, AS AMENDED

海上安全委員會，

THE MARITIME SAFETY COMMITTEE,

憶及《國際海事組織公約》關於本委員會職能的第28(二)條，

RECALLING Article 28(b) of the Convention on the International Maritime Organization concerning the functions of the Committee,

進一步憶及《〈1966年國際載重線公約〉1988年議定書》（以下稱“1988年載重線議定書”）關於修正程序的第VI條，

RECALLING FURTHER article VI of the Protocol of 1988 relating to the International Convention on Load Lines, 1966 (hereinafter referred to as the “1988 Load Lines Protocol”) concerning amendment procedures,

在其第90屆會議上審議了按照第VI 2(a)條提出和分發的《1988年載重線議定書》修正案，

HAVING CONSIDERED, at its ninetieth session, amendments to the 1988 Load Lines Protocol proposed and circulated in accordance with paragraph 2(a) of article VI thereof,

1. 按照《1988年載重線議定書》第VI 2 (d) 條，**通過**《1988年載重線議定書》修正案，其文本載於本決議附件；

2. 按照《1988年載重線議定書》第VI 2 (f) (ii) (bb) 條，**決定**上述修正案將於2013年7月1日被視為已獲接受，除非在此日期之前，有三分之一以上的1988年載重線議定書締約國政府或擁有商船合計噸位數不少於世界商船總噸數50%的締約國政府通知其反對該修正案；

3. **提請**各締約國政府注意，按照《1988年載重線議定書》第VI 2 (g) (ii) 條，該修正案在按上述第2段獲接受後，將於2014年1月1日生效；

4. **要求**秘書長按照《1988年載重線議定書》第VI 2 (e) 條，將本決議及其附件中修正案文本的核證無誤副本分發給所有《1988年載重線議定書》締約國政府；

5. **進一步要求**秘書長將本決議及其附件的副本分發給非1988年載重線議定書締約國的本組織成員。

#### 附件

經修正的《1966年國際載重線公約1988年議定書》修正案

#### 附則B

經《1988年議定書》修訂的公約附則

#### 附則II

地帶、區域和季節期

#### 第47條——南半球冬季季節地帶

現有第47條文本由下文替代：

“南半球冬季季節地帶的北界為：

從美洲東海岸特里斯蓬塔斯角沿恆向線至南緯34°、西經50°一點，再沿南緯34°緯度線至東經16°，再沿恆向線至南緯36°、東經20°一點，再沿恆向線至南緯34°、東經30°一點，再沿恆向線至南緯35°30'、東經118°一點，然後再沿恆向線至塔斯馬尼亞島西北海岸上的格里姆角；再沿塔斯馬尼亞島的北海岸和東海岸至布魯尼島的最南點，再沿恆向

1. ADOPTS, in accordance with paragraph 2(d) of article VI of the 1988 Load Lines Protocol, amendments to the 1988 Load Lines Protocol, the text of which is set out in the annex to the present resolution;

2. DETERMINES, in accordance with paragraph 2(f)(ii)(bb) of article VI of the 1988 Load Lines Protocol, that the said amendments shall be deemed to have been accepted on 1 July 2013, unless, prior to that date, more than one third of the Parties to the 1988 Load Lines Protocol or Parties the combined merchant fleets of which constitute not less than 50 per cent of the gross tonnage of the world's merchant fleet, have notified their objections to the amendments;

3. INVITES the Parties concerned to note that, in accordance with paragraph 2(g)(ii) of article VI of the 1988 Load Lines Protocol, the amendments shall enter into force on 1 January 2014 upon their acceptance in accordance with paragraph 2 above;

4. REQUESTS the Secretary-General, in conformity with paragraph 2(e) of article VI of the 1988 Load Lines Protocol, to transmit certified copies of the present resolution and the text of the amendments contained in the annex to all Parties to the 1988 Load Lines Protocol;

5. FURTHER REQUESTS the Secretary-General to transmit copies of this resolution and its annex to Members of the Organization, which are not Parties to the 1988 Load Lines Protocol.

#### ANNEX

#### AMENDMENTS TO THE PROTOCOL OF 1988 RELATING TO THE INTERNATIONAL CONVENTION ON LOAD LINES, 1966, AS AMENDED

#### ANNEX B

#### ANNEXES TO THE CONVENTION AS MODIFIED BY THE PROTOCOL OF 1988 RELATING THERETO

#### ANNEX II

#### Zones, areas and seasonal periods

#### Regulation 47 — Southern Winter Seasonal Zone

The existing text of regulation 47 is replaced by the following:

“The northern boundary of the Southern Winter Seasonal Zone is:

the rhumb line from the east coast of the American continent at Cape Tres Puntas to the point latitude 34° S, longitude 50° W, thence the parallel of latitude 34° S to longitude 16° E, thence the rhumb line to the point latitude 36° S, longitude 20° E, thence the rhumb line to the point latitude 34° S, longitude 30° E, thence along the rhumb line to the point latitude 35°30' S, longitude 118° E, and thence the rhumb line to Cape Grim on the north-west coast of Tasmania; thence along the north and east coasts of Tasmania to the southernmost point of Bruny Island,

線至斯圖爾特島上的黑岩岬，再沿恆向線至南緯47°、東經170°一點，再沿恆向線至南緯33°、西經170°一點，然後再沿南緯33°緯度線至南緯33°、西經79°一點，再沿至南緯41°、西經75°一點，再沿至奇洛埃島上的蓬塔科羅娜燈塔，南緯41°47'、西經73°53'，再沿奇洛埃島北、東和南海岸至南緯43°20'、西經74°20'一點，然後再沿西經74°20'的經度線至南緯45°45'的緯度線，包括西經74°20'的經度線以東的奇洛埃海峽的內區域。

季節期：

冬季：自4月16日至10月15日

夏季：自10月16日至4月15日”

thence the rhumb line to Black Rock Point on Stewart Island, thence the rhumb line to the point latitude 47° S, longitude 170° E, thence along the rhumb line to the point latitude 33° S, longitude 170° W, and thence the parallel of latitude 33° S to the point latitude 33° S, longitude 79° W, thence the rhumb line to the point latitude 41° S, longitude 75° W, thence the rhumb line to Punta Corona lighthouse on Chiloe Island, latitude 41°47' S, longitude 73°53' W, thence along the north, east and south coasts of Chiloe Island to the point latitude 43°20' S, longitude 74°20' W, and thence the meridian of longitude 74°20' W to the parallel of latitude 45°45' S, including the inner zone of Chiloe channels from the meridian 74°20' W to the east.

*Seasonal periods:*

WINTER: 16 April to 15 October

SUMMER: 16 October to 15 April”

### 第 50/2014 號行政長官公告

### Aviso do Chefe do Executivo n.º 50/2014

中央人民政府命令在澳門特別行政區執行聯合國安全理事會關於恐怖活動對國際和平與安全構成威脅的第1988 (2011) 號及第2082 (2012) 號決議；

Considerando que o Governo Popular Central ordenou a aplicação na Região Administrativa Especial de Macau das Resoluções n.º 1988 (2011) e n.º 2082 (2012) do Conselho de Segurança das Nações Unidas, relativas às ameaças à paz e segurança internacionais causadas por actos terroristas;

聯合國安全理事會第1988 (2011) 號決議所設委員會於二零一四年五月十六日更新了根據該決議制定的與塔利班有關聯的個人和實體名單；

Mais considerando que, em 16 de Maio de 2014, o Comité estabelecido pela Resolução n.º 1988 (2011) do Conselho de Segurança das Nações Unidas procedeu à actualização da lista das pessoas singulares e entidades associadas aos Talibã, estabelecida nos termos da referida Resolução;

基於此，行政長官根據澳門特別行政區第3/1999號法律第六條第一款的規定，命令公佈聯合國安全理事會第1988 (2011) 號決議所設委員會於二零一四年五月十六日更新的個人和實體名單的英文原文及其葡文譯本。

O Chefe do Executivo manda publicar, nos termos do n.º 1 do artigo 6.º da Lei n.º 3/1999 da Região Administrativa Especial de Macau, a lista das pessoas singulares e entidades, tal como actualizada à data de 16 de Maio de 2014 pelo Comité estabelecido pela Resolução n.º 1988 (2011) do Conselho de Segurança das Nações Unidas, na sua versão original em língua inglesa, acompanhada da tradução para a língua portuguesa.

二零一四年九月五日發佈。

Promulgado em 5 de Setembro de 2014.

行政長官 崔世安

O Chefe do Executivo, *Chui Sai On*.

## The List of individuals and entities established pursuant to Security Council Resolution 1988 (2011)

Last updated on: 16 May 2014

### Composition of the List

The list consists of the two sections specified below:

**A. Individuals associated with the Taliban**

**B. Entities and other groups and undertakings associated with the Taliban**

#### A. Individuals associated with the Taliban

**TI.A.155.11. Name:** 1: ABDUL AZIZ 2: ABBASIN 3: na 4: na

**Name (original script):** عبد العزيز عباسين

**Title:** na **Designation:** na **DOB:** 1969 **POB:** Sheykhani Village, Pirkowti Area, Orgun District, Paktika Province, Afghanistan **Good quality a.k.a.:** Abdul Aziz Mahsud **Low quality a.k.a.:** na **Nationality:** na **Passport no.:** na **National identification no.:** na **Address:** na **Listed on:** 4 Oct. 2011 (amended on 22 Apr. 2013) **Other information:** Key commander in the Haqqani Network (TE.H.12.12.) under Sirajuddin Jallaloudine Haqqani (TI.H.144.07.). Taliban Shadow Governor for Orgun District, Paktika Province as of early 2010. Operated a training camp for non-Afghan fighters in Paktika Province. Has been involved in the transport of weapons to Afghanistan.

**TI.A.121.01. Name:** 1: AZIZIRAHMAN 2: ABDUL AHAD 3: na 4: na

**Name (original script):** عزيز الرحمان عبد الاحد

**Title:** Mr **Designation:** Third Secretary, Taliban Embassy, Abu Dhabi, United Arab Emirates **DOB:** 1972 **POB:** Shega District, Kandahar Province, Afghanistan **Good quality a.k.a.:** na **Low quality a.k.a.:** na **Nationality:** Afghan **Passport no.:** na **National identification no.:** Afghan national identification card (tazkira) number 44323 **Address:** na **Listed on:** 25 Jan. 2001 (amended on 3 Sep. 2003, 21 Sep. 2007, 29 Nov. 2011) **Other information:** Belongs to Hotak tribe. Review pursuant to Security Council resolution 1822 (2008) was concluded on 29 Jul. 2010.

**TI.B.24.01. Name:** 1: ABDUL GHANI 2: BARADAR 3: ABDUL AHMAD TURK 4: na

**Name (original script):** عبدالغنى برادر عبد الاحمد ترك

**Title:** Mullah **Designation:** Deputy Minister of Defence under the Taliban regime **DOB:** Approximately 1968 **POB:** Yatimak village, Dehrawood District, Uruzgan Province, Afghanistan **Good quality a.k.a.:** a) Mullah Baradar Akhund b) Abdul Ghani Baradar, (previously listed as) **Low quality a.k.a.:** na **Nationality:** Afghan **Passport no.:** na **National identification no.:** na **Address:** na **Listed on:** 23 Feb. 2001 (amended on 3 Sep. 2003, 18 Jul. 2007, 21 Sep. 2007, 13 Feb. 2012) **Other information:** Arrested in Feb. 2010 and in custody in Pakistan. Extradition request to Afghanistan pending in Lahore High Court, Pakistan as of June 2011. Belongs to Popalzai tribe. Senior Taliban military commander and member of Taliban Quetta Council as of May 2007. Review pursuant to Security Council resolution 1822 (2008) was concluded on 1 Jun. 2010.

**TI.A.128.01. Name:** 1: ABDUL QADEER 2: BASIR 3: ABDUL BASEER 4: na

**Name (original script):** عبدالقدير بصير عبد البصير

**Title:** a) General b) Maulavi **Designation:** Military Attache, Taliban Embassy, Islamabad, Pakistan **DOB:** 1964 **POB:** a) Surkh Rod District, Nangarhar Province, Afghanistan b) Hisarak District, Nangarhar Province, Afghanistan **Good quality a.k.a.:** a) Abdul Qadir b) Ahmad Haji c) Abdul Qadir Haqqani d) Abdul Qadir Basir **Low quality a.k.a.:** na **Nationality:** Afghan **Passport no.:** Afghan passport number D 000974 **National identification no.:** na **Address:** na **Listed on:** 25 Jan. 2001 (amended on 3 Sep. 2003, 25 Jul. 2006, 23 Apr. 2007, 18 Jul. 2007, 21 Sep. 2007, 29 Nov. 2011, 13 Aug. 2012) **Other information:** Financial advisor to Taliban Peshawar Military Council and Head of Taliban Peshawar Financial Commission. Believed to be in Afghanistan/Pakistan border area. Review pursuant to Security Council resolution 1822 (2008) was concluded on 21 Jul. 2010.

**TI.M.100.01. Name:** 1: NAZIR MOHAMMAD 2: ABDUL BASIR 3: na 4: na

**Name (original script):** نظر محمد عبد البصير

**Title:** Maulavi **Designation:** a) Mayor of Kunduz City b) Acting, Governor of Kunduz Province under the Taliban regime **DOB:** 1954 **POB:** Malaghi Village, Kunduz District, Kunduz Province, Afghanistan **Good quality a.k.a.:** Nazar Mohammad (previously listed as) **Low quality a.k.a.:** na **Nationality:** Afghan **Passport no.:** na **National identification no.:** na **Address:** na **Listed on:** 23 Feb. 2001 (amended on 3 Sep. 2003, 21 Sep. 2007, 18 May 2012, 31 Dec. 2013) **Other information:** Alternative title: Sar Muallim. Reconclled after the fall of the Taliban regime, and assumed duties under the new Government on district level in Kunduz Province. Confirmed assassinated by Taliban on 9 November 2008. Review pursuant to Security Council resolution 1822 (2008) was concluded on 27 Jul. 2010.

**TI.Q.130.01. Name:** 1: ABDUL GHAFAR 2: QURISHI 3: ABDUL GHANI 4: na

**Name (original script):** عبدالغفار قریشی عبد الغنى

**Title:** Maulavi **Designation:** Repatriation Attache, Taliban Embassy, Islamabad, Pakistan **DOB:** a) 1970 b) 1967 **POB:** Turshut village, Wursaj District, Takhar Province, Afghanistan **Good quality a.k.a.:** Abdul Ghaffar Qureshi **Low quality a.k.a.:** na **Nationality:** Afghan **Passport no.:** Afghan passport number D 000933 issued in Kabul on 13 Sep. 1998 **National identification no.:** Afghan national identification card (tazkira) number 55130 **Address:** Khairkhana Section Number 3, Kabul, Afghanistan **Listed on:** 25 Jan. 2001 (amended on 3 Sep. 2003, 18 Jul. 2007, 21 Sep. 2007, 29 Nov. 2011, 31 Dec. 2013) **Other information:** Involved in drug trafficking. Belongs to Tajik ethnic group. Review pursuant to Security Council resolution 1822 (2008) was concluded on 29 Jul. 2010.

**TI.A.145.10. Name:** 1: AMIR 2: ABDULLAH 3: na 4: na

**Name (original script):** امير عبد الله

**Title:** na **Designation:** Former Kandahar Province Deputy Taliban Governor **DOB:** Approximately 1972 **POB:** Paktika Province, Afghanistan **Good quality a.k.a.:** na **Low quality a.k.a.:** Amir Abdullah Sahib **Nationality:** Afghan **Passport no.:** na **National identification no.:** na **Address:** Karachi, Pakistan **Listed on:** 20 Jul. 2010 (amended on 29 Nov. 2011) **Other information:** Has travelled to Kuwait, Saudi Arabia, the Libyan Arab Jamahiriya and the United Arab Emirates to raise funds for the Taliban. Treasurer to Abdul Ghani Baradar Abdul Ahmad Turk (TI.B.24.01). Believed to be in Afghanistan/Pakistan border area.

**TI.A.162.12. Name:** 1: ABDUL SATAR 2: ABDUL MANAN 3: na 4: na

**Name (original script):** عبد الستار عبد المنان

**Title:** Haji **Designation:** na **DOB:** 1964 **POB:** a) Mirmandaw village, Nahr-e Saraj District, Helmand Province, Afghanistan b) Mirmadaw village, Gereshk District, Helmand Province, Afghanistan c) Qilla Abdullah, Baluchistan Province, Pakistan **Good quality a.k.a.:** a) Haji Abdul Sattar Barakzai b) Haji Abdul Satar c) Haji Satar Barakzai d) Abdulasattar **Low quality a.k.a.:** na **Nationality:** na **Passport no.:** Pakistan passport number AM5421691 expires on 11 Aug. 2013 **National identification no.:** a) Pakistan National Identification number 5420250161699 b) Afghan National Identification number 585629 **Address:** a) Kachray Road, Pashtunabad, Quetta, Baluchistan Province, Pakistan b) Nasrullah Khan Chowk, Pashtunabad Area, Baluchistan Province, Pakistan c) Chaman, Baluchistan Province, Pakistan d) Abdul Satar Food Shop, Ayno Mina 0093, Kandahar Province, Afghanistan **Listed on:** 29 Jun. 2012 **Other information:** Co-owner of Haji Khairullah Haji Sattar Money Exchange (TE.H.1.12.) and associated also with Khairullah Barakzai (TI.K.163.12.). Belongs to Barakzai tribe. Father's name is Hajji 'Abd-al-Manaf.

**TI.H.142.01. Name:** 1: ABDUL HAI 2: HAZEM 3: ABDUL QADER 4: na

**Name (original script):** عبد الحى عظيم عبد القادر

**Title:** a) Maulavi b) Mullah **Designation:** First Secretary, Taliban Consulate General, Quetta, Pakistan **DOB:** 1971 **POB:** Pashawal Yargatoo village, Andar District, Ghazni Province, Afghanistan **Good quality a.k.a.:** Abdul Hai Hazem (previously listed as) **Low quality a.k.a.:** na **Nationality:** Afghan **Passport no.:** Afghan passport number D 0001203 **National identification no.:** na **Address:** a) Iltifat village, Shakardara District, Kabul Province, Afghanistan b) Puli Charkhi Area, District Number 9, Kabul City, Kabul Province **Listed on:** 25 Jan. 2001 (amended on 3 Sep. 2003, 25 Jul. 2006, 21 Sep. 2007, 29 Nov. 2011, 18 May 2012) **Other information:** Review pursuant to Security Council resolution 1822 (2008) was concluded on 29 Jul. 2010.

**TI.T.105.01. Name:** 1: AHMAD TAHA 2: KHALID 3: ABDUL QADIR 4: na

**Name (original script):** احمد طه خالد عبد القادر

**Title:** Maulavi **Designation:** Governor of Paktia Province under the Taliban regime **DOB:** Approximately 1963 **POB:** a) Nangarhar Province, Afghanistan b) Khost Province, Afghanistan c) Siddiq Khel village, Naka District, Paktia Province, Afghanistan **Good quality a.k.a.:** na **Low quality a.k.a.:** na **Nationality:** Afghan **Passport no.:** na **National identification no.:** na **Address:** na **Listed on:** 23 Feb. 2001 (amended on 3 Sep. 2003, 21 Sep. 2007, 3 Oct. 2008, 29 Nov. 2011, 13 Aug. 2012) **Other information:** Taliban member responsible for Nangarhar Province as at 2011. Believed to be in Afghanistan/Pakistan border area. Belongs to Zadran tribe. Close associate of Sirajuddin Jallalouline Haqqani (TI.H.144.07). Review pursuant to Security Council resolution 1822 (2008) was concluded on 1 Jun. 2010.

**TI.A.80.01. Name:** 1: SAYED ESMATULLAH 2: ASEM 3: ABDUL QUDDUS 4: na

**Name (original script):** سيد عصمت الله عاصم عبد القدوس

**Title:** Maulavi **Designation:** a) Deputy Minister of Preventing Vice and Propagating Virtue under the Taliban regime b) Secretary General of the Afghan Red Crescent Society (ARCS) under the Taliban regime **DOB:** Approximately 1967 **POB:** Qalayi Shaikh, Chaparhar District, Nangarhar Province, Afghanistan **Good quality a.k.a.:** a) Esmatullah Asem b) Asmatullah Asem c) Sayed Esmatullah Asem (previously listed as) **Low quality a.k.a.:** na **Nationality:** Afghan **Passport no.:** na **National identification no.:** na **Address:** na **Listed on:** 23 Feb. 2001 (amended on 3 Sep. 2003, 18 Jul. 2007, 21 Sep. 2007, 27 Sep. 2007, 29 Nov. 2011, 13 Aug. 2012) **Other information:** Member of the Taliban Supreme Council as of May 2007. Believed to be in Afghanistan/Pakistan border area. Member of the Taliban Peshawar Shura. Responsible for Afghan Taliban activity in Federally Administrated Tribal Areas, Pakistan as at 2008. A leading expert in IED and suicide attacks as of 2012. Review pursuant to Security Council resolution 1822 (2008) was concluded on 1 Jun. 2010.

**TI.U.8.01. Name:** 1: SHAMS 2: UR-RAHMAN 3: ABDUL ZAHIR 4: na

**Name (original script):** شمس الرحمن عبد الظاهر

**Title:** a) Mullah b) Maulavi **Designation:** Deputy Minister of Agriculture under the Taliban regime **DOB:** 1969 **POB:** Waka Uzbin village, Sarobi District, Kabul Province, Afghanistan **Good quality a.k.a.:** a) Shamsurrahman b) Shams-u-Rahman c) Shamsurrahman Abdurahman **Low quality a.k.a.:** Shams ur-Rahman Sher Alam **Nationality:** Afghan **Passport no.:** na **National identification no.:** a) Afghan national identification card (tazkira) number 2132370 b) Afghan national identification card (tazkira) number 812673 **Address:** na **Listed on:** 23 Feb. 2001 (amended on 3 Sep. 2003, 21 Sep. 2007, 12 Apr. 2010, 29 Nov. 2011, 18 May 2012) **Other information:** Believed to be in Afghanistan/Pakistan border area. Involved in drug trafficking. Belongs to Ghilzai tribe. Review pursuant to Security Council resolution 1822 (2008) was concluded on 27 Jul. 2010.

**TI.A.160.12. Name:** 1: ABDUL SAMAD 2: ACHEKZAI 3: na 4: na

**Name (original script):** عبد الصمد اچکزى

**Title:** na **Designation:** na **DOB:** 1970 **POB:** Afghanistan **Good quality a.k.a.:** Abdul Samad **Low quality a.k.a.:** na **Nationality:** Afghan **Passport no.:** na **National identification no.:** na **Address:** na **Listed on:** 2 Mar. 2012 **Other information:** Senior Taliban member responsible for the manufacturing of improvised explosive devices (IED). Involved in recruiting and deploying suicide bombers to conduct attacks in Afghanistan.

**TI.A.167.13. Name:** 1: ADAM KHAN 2: ACHEKZAI 3: na 4: na

**Name (original script):** آدم خان اچکزى

**Title:** Maulavi **Designation:** na **DOB:** a) 1970 b) 1972 c) 1971 d) 1973 e) 1974 f) 1975 **POB:** Kandahar Province, Afghanistan **Good quality a.k.a.:** a) Maulavi Adam Khan b) Maulavi Adam **Low quality a.k.a.:** na **Nationality:** Pakistani **Passport no.:** na **National identification no.:** na **Address:** Chaman, Baluchistan Province, Pakistan **Listed on:** 16 Apr. 2013 **Other information:** Improvised explosive device manufacturer and facilitator for the Taliban. Taliban member responsible for Badghis Province, Afghanistan, as at mid – 2010. Former Taliban member responsible for Sar-e Pul and Samangan Provinces, Afghanistan. As Taliban military commander in Kandahar Province, Afghanistan, he was involved in organizing suicide attacks in neighboring provinces. Associated with Abdul Samad Achekzai (TI.A.160.12.).



**TI.A.114.01. Name:** 1: ABDUL RAHMAN 2: AGHA 3: na 4: na

**Name (original script):** عبدالرحمان آغا

**Title:** Maulavi **Designation:** Chief Justice of Military Court under the Taliban regime **DOB:** Approximately 1958 **POB:** Arghandab District, Kandahar Province, Afghanistan **Good quality a.k.a.:** na **Low quality a.k.a.:** na **Nationality:** a) Afghan b) Pakistani **Passport no.:** na **National identification no.:** na **Address:** na **Listed on:** 25 Jan. 2001 (amended on 3 Sep. 2003, 9 Jul. 2007, 21 Sep. 2007, 29 Nov. 2011) **Other information:** Believed to be in Afghanistan/Pakistan border area. Review pursuant to Security Council resolution 1822 (2008) was concluded on 29 Jul. 2010.

**TI.A.156.12. Name:** 1: AHMAD 2: ZIA 3: AGHA 4: na

**Name (original script):** احمد ضيا آغا

**Title:** Haji **Designation:** na **DOB:** 1974 **POB:** Maiwand District, Kandahar Province, Afghanistan **Good quality a.k.a.:** a) Zia Agha b) Noor Ahmad c) Noor Ahmed **Low quality a.k.a.:** Sia Agha Sayeed **Nationality:** na **Passport no.:** na **National identification no.:** na **Address:** na **Listed on:** 6 Jan. 2012 **Other information:** Senior Taliban official with military and financial responsibilities as at 2011. Leader of the Taliban's Military Council as of 2010. In 2008 and 2009, served as a Taliban finance officer and distributed money to Taliban commanders in Afghanistan/Pakistan border area.

**TI.A.91.01. Name:** 1: JANAN 2: AGHA 3: na 4: na

**Name (original script):** جانان آغا

**Title:** Mullah **Designation:** Governor of Faryab Province under the Taliban regime **DOB:** a) Approximately 1958 b) Approximately 1953 **POB:** Tirin Kot city, Uruzgan Province, Afghanistan **Good quality a.k.a.:** Abdullah Jan Agha **Low quality a.k.a.:** na **Nationality:** Afghan **Passport no.:** na **National identification no.:** na **Address:** na **Listed on:** 23 Feb. 2001 (amended on 3 Sep. 2003, 21 Sep. 2007, 29 Nov. 2011, 31 Dec. 2013) **Other information:** Member of Taliban Supreme Council and advisor to Mullah Mohammed Omar (TI.O.4.01) as at June 2010. Leads a Taliban "front" (mahaz) as of mid-2013. Believed to be in Afghanistan/Pakistan border area. Belongs to Sadat ethnic group. Review pursuant to Security Council resolution 1822 (2008) was concluded on 23 Jul. 2010.

**TI.A.57.01. Name:** 1: SAYED 2: MOHAMMAD 3: AZIM 4: AGHA

**Name (original script):** سيد محمد عظيم آغا

**Title:** Maulavi **Designation:** Director of the Passport and Visa Department in the Ministry of Interior under the Taliban regime **DOB:** a) Approximately 1966 b) Approximately 1969 **POB:** Panjwai District, Kandahar Province, Afghanistan **Good quality a.k.a.:** a) Sayed Mohammad Azim Agha b) Agha Saheb **Low quality a.k.a.:** na **Nationality:** Afghan **Passport no.:** na **National identification no.:** na **Address:** na **Listed on:** 23 Feb. 2001 (amended on 3 Sep. 2003, 9 Jul. 2007, 21 Sep. 2007, 29 Nov. 2011, 31 Dec. 2013) **Other information:** Directs a Taliban "front" (mahaz) and serves as member of the military commission of the Taliban as of mid-2013. Believed to be in Afghanistan/Pakistan border area. Review pursuant to Security Council resolution 1822 (2008) was concluded on 23 Jul. 2010.

**TI.A.72.01. Name:** 1: SAYYED GHIASSOUDDINE 2: AGHA 3: na 4: na

**Name (original script):** سيد غياث الدين آغا

**Title:** Maulavi **Designation:** a) Minister of Haj and Religious Affairs under the Taliban regime b) Education Minister under the Taliban regime **DOB:** Approximately 1961 **POB:** Kohistan District, Faryab Province, Afghanistan **Good quality a.k.a.:** a) Sayed Ghias b) Sayed Ghiasuddin Sayed Ghousuddin c) Sayyed Ghayasudin **Low quality a.k.a.:** na **Nationality:** Afghan **Passport no.:** na **National identification no.:** na **Address:** na **Listed on:** 31 Jan. 2001 (amended on 3 Sep. 2003, 18 Jul. 2007, 21 Sep. 2007, 1 Feb. 2008, 29 Nov. 2011) **Other information:** Taliban member responsible for Faryab, Jawzjan, Sari Pul and Balkh Provinces, Afghanistan as at June 2010. Involved in drug trafficking. Member of Taliban Supreme Council and Taliban Military Council as at December 2009. Believed to be in Afghanistan/Pakistan border area. Belongs to Sadat ethnic group. Review pursuant to Security Council resolution 1822 (2008) was concluded on 27 Jul. 2010.

**TI.A.31.01. Name:** 1: MOHAMMAD 2: AHMADI 3: na 4: na

**Name (original script):** محمد احمدی

**Title:** a) Mullah b) Haji **Designation:** a) President of Central Bank (Da Afghanistan Bank) under the Taliban regime b) Minister of Finance under the Taliban regime **DOB:** Approximately 1963 **POB:** a) Daman District, Kandahar Province,

Afghanistan **b)** Pashmul village, Panjwai District, Kandahar Province, Afghanistan **Good quality a.k.a.:** na **Low quality a.k.a.:** na **Nationality:** Afghan **Passport no.:** na **National identification no.:** na **Address:** na **Listed on:** 23 Feb. 2001 (amended on 3 Sep. 2003, 21 Sep. 2007, 29 Nov. 2011, 31 Dec. 2013) **Other information:** Believed to be in Afghanistan/Pakistan border area. Belongs to Kakar tribe. He is a member of the Taliban Supreme Council. Review pursuant to Security Council resolution 1822 (2008) was concluded on 23 Jul. 2010.

**TI.A.81.01. Name:** 1: AHMADULLAH 2: na 3: na 4: na

**Name (original script):** احمد الله

**Title:** Qari **Designation:** Minister of Security (Intelligence) under the Taliban regime **DOB:** **a)** Approximately 1975 **b)** Approximately 1965 **POB:** **a)** Khogyani area, Qarabagh District, Ghazni Province, Afghanistan **b)** Andar District, Ghazni Province, Afghanistan **Good quality a.k.a.:** **a)** Ahmadulla **b)** Mohammad Ahmadullah **Low quality a.k.a.:** na **Nationality:** Afghan **Passport no.:** na **National identification no.:** na **Address:** na **Listed on:** 25 Jan. 2001 (amended on 3 Sep. 2003, 18 Jul. 2007, 21 Sep. 2007, 12 Apr. 2010, 29 Nov. 2011) **Other information:** Reportedly deceased in Dec. 2001. Belonged to Khogyani tribe. Review pursuant to Security Council resolution 1822 (2008) was concluded on 20 Jul. 2010.

**TI.W.159.12. Name:** 1: AHMED JAN 2: WAZIR 3: AKHTAR MOHAMMAD 4: na

**Name (original script):** احمد جان وزير اختر محمد

**Title:** na **Designation:** Official of the Ministry of Finance during the Taliban regime **DOB:** 1963 **POB:** Barlach Village, Qareh Bagh District, Ghazni Province, Afghanistan **Good quality a.k.a.:** **a)** Ahmed Jan Kuchi **b)** Ahmed Jan Zadran **Low quality a.k.a.:** na **Nationality:** na **Passport no.:** na **National identification no.:** na **Address:** na **Listed on:** 6 Jan. 2012 (amended on 31 Dec. 2013, 11 Feb. 2014) **Other information:** Key commander of the Haqqani Network (TE.H.12.12.), which is based in Afghanistan/Pakistan border area. Acts as deputy, spokesperson and advisor for Haqqani Network senior leader Sirajuddin Jallaloudine Haqqani (TI.H.144.07.). Liaises with the Taliban Supreme Council. Has travelled abroad. Liaises with and provides Taliban commanders in Ghazni Province, Afghanistan, with money, weapons, communications equipment and supplies. Reportedly deceased as of 2013.

**TI.K.149.10. Name:** 1: SALEH 2: MOHAMMAD 3: KAKAR 4: AKHTAR MUHAMMAD

**Name (original script):** صالح محمد كاکر اختر محمد

**Title:** na **Designation:** na **DOB:** **a)** Approximately 1962 **b)** 1961 **POB:** **a)** Nalghan village, Panjwai District, Kandahar Province, Afghanistan **b)** Sangesar village, Panjway District, Kandahar Province, Afghanistan **Good quality a.k.a.:** Saleh Mohammad **Low quality a.k.a.:** na **Nationality:** Afghan **Passport no.:** na **National identification no.:** na **Address:** Daman District, Kandahar Province, Afghanistan **Listed on:** 4 Nov. 2010 (amended on 29 Nov. 2011, 13 Aug. 2012, 31 Dec. 2013, 16 May 2014) **Other information:** Has run an organized smuggling network in Kandahar and Helmand provinces, Afghanistan. Previously operated heroin processing laboratories in Band-e Temur, Kandahar Province, Afghanistan. Has owned a car dealership in Mirwais Mena, Dand District in Kandahar Province, Afghanistan. Released from custody in Afghanistan in February 2014. Linked by marriage to Mullah Ubaidullah Akhund Yar Mohammad Akhund (TI.A.22.01.). Belongs to Kakar tribe.

**TI.A.94.01. Name:** 1: ABDUL BARI 2: AKHUND 3: na 4: na

**Name (original script):** عبد الباری آخوند

**Title:** **a)** Maulavi **b)** Mullah **Designation:** Governor of Helmand Province under the Taliban regime **DOB:** Approximately 1953 **POB:** **a)** Baghran District, Helmand Province, Afghanistan **b)** Now Zad District, Helmand Province, Afghanistan **Good quality a.k.a.:** Haji Mullah Sahib **Low quality a.k.a.:** Zakir **Nationality:** Afghan **Passport no.:** na **National identification no.:** na **Address:** na **Listed on:** 23 Feb. 2001 (amended on 3 Sep. 2003, 18 Jul. 2007, 21 Sep. 2007, 13 Feb. 2012) **Other information:** Member of the Taliban Supreme Council as of 2009. Believed to be in Afghanistan/Pakistan border area. Belongs to Alokozai tribe. Member of Taliban leadership in Helmand Province, Afghanistan. Review pursuant to Security Council resolution 1822 (2008) was concluded on 1 Jun. 2010.

**TI.A.9.01. Name:** 1: ATTIQULLAH 2: AKHUND 3: na 4: na

**Name (original script):** عتيق الله آخوند

**Title:** Maulavi **Designation:** Deputy Minister of Agriculture under the Taliban regime **DOB:** Approximately 1953 **POB:** Shah Wali Kot District, Kandahar Province, Afghanistan **Good quality a.k.a.:** na **Low quality a.k.a.:** na **Nationality:** Afghan **Passport no.:** na **National identification no.:** na **Address:** na **Listed on:** 23 Feb. 2001 (amended on 3 Sep. 2003, 21 Sep. 2007, 29 Nov. 2011) **Other information:** Member of Taliban Supreme Military Council as well as Taliban

Supreme Council as at June 2010. Belongs to Popalzai tribe. Review pursuant to Security Council resolution 1822 (2008) was concluded on 23 Jul. 2010.

**TI.A.158.12. Name:** 1: MOHAMMAD 2: AMAN 3: AKHUND 4: na

**Name (original script):** محمد امان آخوند

**Title:** na **Designation:** na **DOB:** 1970 **POB:** Bande Tumur Village, Maiwand District, Kandahar Province, Afghanistan **Good quality a.k.a.:** a) Mohammed Aman b) Mullah Mohammed Oman c) Mullah Mohammad Aman Ustad Noorzai **Low quality a.k.a.:** a) Mullah Mad Aman Ustad Noorzai b) Sanullah **Nationality:** na **Passport no.:** na **National identification no.:** na **Address:** na **Listed on:** 6 Jan. 2012 (amended on 18 May 2012, 27 Jun. 2013) **Other information:** Senior Taliban member as at 2011 with financial duties, including raising funds on behalf of the leadership. Has provided logistical support for Taliban operations and channeled proceeds from drug trafficking to arms purchases. Has acted as secretary to Taliban leader Mullah Mohammed Omar (TI.O.4.01.) and as his messenger at senior-level meetings of the Taliban. Also associated with Gul Agha Ishakzai (TI.I.147.10.). Member of Mullah Mohammed Omar's (TI.O.4.01.) inner circle during the Taliban regime.

**TI.H.2.01. Name:** 1: MOHAMMAD 2: HASSAN 3: AKHUND 4: na

**Name (original script):** محمد حسن آخوند

**Title:** a) Mullah b) Haji **Designation:** a) First Deputy, Council of Ministers under the Taliban regime b) Foreign Minister under the Taliban regime c) Governor of Kandahar under the Taliban regime d) Political Advisor of Mullah Mohammed Omar **DOB:** a) Approximately 1955-1958 b) Approximately 1945-1950 **POB:** Pashmul village, Panjwai District, Kandahar Province, Afghanistan **Good quality a.k.a.:** na **Low quality a.k.a.:** na **Nationality:** Afghan **Passport no.:** na **National identification no.:** na **Address:** na **Listed on:** 25 Jan. 2001 (amended on 3 Sep. 2003, 20 Dec. 2005, 9 Jul. 2007, 21 Sep. 2007, 29 Nov. 2011) **Other information:** A close associate of Mullah Mohammed Omar (TI.O.4.01). Member of Taliban Supreme Council as at Dec. 2009. Belongs to Kakar tribe. Review pursuant to Security Council resolution 1822 (2008) was concluded on 21 Jul. 2010.

**TI.A.66.01. Name:** 1: MOHAMMAD ABBAS 2: AKHUND 3: na 4: na

**Name (original script):** محمد عباس آخوند

**Title:** Mullah **Designation:** a) Mayor of Kandahar under the Taliban regime b) Minister of Public Health under the Taliban regime **DOB:** Approximately 1963 **POB:** Khas Uruzgan District, Uruzgan Province, Afghanistan **Good quality a.k.a.:** na **Low quality a.k.a.:** na **Nationality:** Afghan **Passport no.:** na **National identification no.:** na **Address:** na **Listed on:** 25 Jan. 2001 (amended on 3 Sep. 2003, 21 Sep. 2007, 29 Nov. 2011, 31 Dec. 2013) **Other information:** Member of Taliban Supreme Council in charge of the Medical Committee as of Jan. 2011. Directly supervises three medical centers caring for wounded Taliban fighters as of mid-2013. Believed to be in Afghanistan/Pakistan border area. Belongs to Barakzai tribe. Review pursuant to Security Council resolution 1822 (2008) was concluded on 29 Jul. 2010.

**TI.A.60.01. Name:** 1: MOHAMMAD ESSA 2: AKHUND 3: na 4: na

**Name (original script):** محمد عیسی آخوند

**Title:** a) Alhaj b) Mullah **Designation:** Minister of Water, Sanitation and Electricity under the Taliban regime **DOB:** Approximately 1958 **POB:** Mial area, Spin Boldak District, Kandahar Province, Afghanistan **Good quality a.k.a.:** na **Low quality a.k.a.:** na **Nationality:** Afghan **Passport no.:** na **National identification no.:** na **Address:** na **Listed on:** 25 Jan. 2001 (amended on 3 Sep. 2003, 21 Sep. 2007, 29 Nov. 2011) **Other information:** Belongs to Nurzai tribe. Review pursuant to Security Council resolution 1822 (2008) was concluded on 27 Jul. 2010.

**TI.A.109.01. Name:** 1: AHMAD JAN 2: AKHUNDZADA 3: SHUKOOR 4: AKHUNDZADA

**Name (original script):** احمد جان آخوند زاده شكور آخوند زاده

**Title:** a) Maulavi b) Mullah **Designation:** Governor of Zabol and Uruzgan Provinces under the Taliban regime **DOB:** 1966-1967 **POB:** a) Lablan village, Dehrawood District, Uruzgan Province, Afghanistan b) Zurmat District, Paktia Province, Afghanistan **Good quality a.k.a.:** a) Ahmad Jan Akhundzada b) Ahmad Jan Akhund Zada **Low quality a.k.a.:** na **Nationality:** Afghan **Passport no.:** na **National identification no.:** na **Address:** na **Listed on:** 25 Jan. 2001 (amended on 3 Sep. 2003, 21 Sep. 2007, 12 Apr. 2010, 29 Nov. 2011, 1 Jun. 2012) **Other information:** Taliban member responsible for Uruzgan Province, Afghanistan, as at early 2007. Brother-in-law of Mullah Mohammed Omar (TI.O.4.01). Believed to be in Afghanistan/Pakistan border area. Review pursuant to Security Council resolution 1822 (2008) was concluded on 29 Jul. 2010.

**TI.S.83.01. Name:** 1: EHSANULLAH 2: SARFIDA 3: HESAMUDDIN 4: AKHUNDZADA

**Name (original script):** احسان الله سرفدا حسام الدين آخوندزاده

**Title:** Maulavi **Designation:** Deputy Minister of Security (Intelligence) under the Taliban regime **DOB:** Approximately 1962-1963 **POB:** Khatak village, Gelan District, Ghazni Province, Afghanistan **Good quality a.k.a.:** a) Ehsanullah Sarfadi b) Ehsanullah Sarfida (previously listed as) **Low quality a.k.a.:** na **Nationality:** Afghan **Passport no.:** na **National identification no.:** na **Address:** na **Listed on:** 23 Feb. 2001 (amended on 3 Sep. 2003, 21 Sep. 2007, 13 Feb. 2012, 18 May 2012, 31 Dec. 2013) **Other information:** As of mid-2007, he provided support to the Taliban in the form of weapons and money. Believed to be in the Gulf region. Belongs to Taraki tribe. Review pursuant to Security Council resolution 1822 (2008) was concluded on 23 Jul. 2010.

**TI.A.101.01. Name:** 1: MOHAMMAD ESHAQ 2: AKHUNDZADA 3: na 4: na

**Name (original script):** محمد اسحاق آخوند زاده

**Title:** Maulavi **Designation:** Governor of Laghman Province under the Taliban regime **DOB:** Between 1963 and 1968 **POB:** Andar District, Ghazni Province, Afghanistan **Good quality a.k.a.:** Mohammad Ishaq Akhund born in 1963 **Low quality a.k.a.:** na **Nationality:** Afghan **Passport no.:** na **National identification no.:** na **Address:** na **Listed on:** 23 Feb. 2001 (amended on 3 Sep. 2003, 21 Sep. 2007, 29 Nov. 2011) **Other information:** Taliban commander for Ghazni Province as at 2008. Belongs to Andar tribe. Review pursuant to Security Council resolution 1822 (2008) was concluded on 23 Jul. 2010.

**TI.A.148.10. Name:** 1: ABDUL HABIB 2: ALIZAI 3: na 4: na

**Name (original script):** عبد الحبيب عاليزی

**Title:** Haji **Designation:** na **DOB:** a) 15 Oct. 1963 b) 14 Feb. 1973 c) 1967 d) Approximately 1957 **POB:** a) Yatimchai village, Musa Qala District, Helmand Province, Afghanistan b) Kandahar Province, Afghanistan **Good quality a.k.a.:** a) Haji Agha Jan Alizai b) Hajji Agha Jan c) Agha Jan Alazai d) Haji Loi Lala e) Loi Agha f) Abdul Habib g) Agha Jan Alizai **Low quality a.k.a.:** اغا جان عاليزی (formerly listed as) **Nationality:** Afghan **Passport no.:** na **National identification no.:** na **Address:** na **Listed on:** 4 Nov. 2010 (amended on 13 Aug. 2012, 31 Dec. 2013, 11 Feb. 2014) **Other information:** Has managed a drug trafficking network in Helmand Province, Afghanistan. Has regularly traveled to Pakistan.

**TI.H.143.01. Name:** 1: HAMDULLAH 2: ALLAH NOOR 3: na 4: na

**Name (original script):** حمد الله الله نور

**Title:** Maulavi **Designation:** Repatriation Attache, Taliban Consulate General, Quetta, Pakistan **DOB:** 1973 **POB:** District Number 6, Kandahar City, Kandahar Province, Afghanistan **Good quality a.k.a.:** na **Low quality a.k.a.:** na **Nationality:** Afghan **Passport no.:** na **National identification no.:** Afghan national identification card (tazkira) number 4414 **Address:** na **Listed on:** 25 Jan. 2001 (amended on 3 Sep. 2003, 21 Sep. 2007, 29 Nov. 2011) **Other information:** Believed to be in Afghanistan/Pakistan border area. Belongs to Baloch ethnic group. Review pursuant to Security Council resolution 1822 (2008) was concluded on 21 Jul. 2010. Additional title: Hafiz.

**TI.A.136.01. Name:** 1: MOHAMMAD SADIQ 2: AMIR MOHAMMAD 3: na 4: na

**Name (original script):** محمد صادق امير محمد

**Title:** a) Alhaj b) Maulavi **Designation:** Head of Afghan Trade Agency, Peshawar, Pakistan **DOB:** 1934 **POB:** a) Ghazni Province, Afghanistan b) Logar Province, Afghanistan **Good quality a.k.a.:** na **Low quality a.k.a.:** na **Nationality:** Afghan **Passport no.:** Afghan passport number SE 011252 **National identification no.:** na **Address:** na **Listed on:** 25 Jan. 2001 (amended on 3 Sep. 2003, 25 Jul. 2006, 23 Apr. 2007, 21 Sep. 2007, 29 Nov. 2011, 13 Aug. 2012) **Other information:** Reportedly deceased. Review pursuant to Security Council resolution 1822 (2008) was concluded on 21 Jul. 2010.

**TI.A.5.01. Name:** 1: MUHAMMAD 2: TAHER 3: ANWARI 4: na

**Name (original script):** محمد ظاهر انوری

**Title:** Mullah **Designation:** a) Director of Administrative Affairs under the Taliban regime b) Minister of Finance under the Taliban regime **DOB:** Approximately 1961 **POB:** Zurmat District, Paktia Province, Afghanistan **Good quality a.k.a.:** a) Mohammad Taher Anwari b) Muhammad Tahir Anwari c) Mohammad Tahre Anwari **Low quality a.k.a.:** Haji Mudir **Nationality:** Afghan **Passport no.:** na **National identification no.:** na **Address:** na **Listed on:** 23 Feb.

2001 (amended on 3 Sep. 2003, 9 Jul. 2007, 21 Sep. 2007, 29 Nov. 2011) **Other information:** Belongs to Andar tribe. Review pursuant to Security Council resolution 1822 (2008) was concluded on 23 Jul. 2010.

**TI.A.38.01. Name:** 1: ABDUL BAQI 2: BASIR 3: AWAL SHAH 4: na

**Name (original script):** عبدالباقي بصير اول شاه

**Title:** a) Maulavi b) Mullah **Designation:** a) Governor of Khost and Paktika provinces under the Taliban regime b) Vice-Minister of Information and Culture under the Taliban regime c) Consular Department, Ministry of Foreign Affairs under the Taliban regime **DOB:** Approximately 1960-1962 **POB:** a) Jalalabad City, Nangarhar Province, Afghanistan b) Shinwar District, Nangarhar Province, Afghanistan **Good quality a.k.a.:** Abdul Baqi (previously listed as) **Low quality a.k.a.:** na **Nationality:** Afghan **Passport no.:** na **National identification no.:** na **Address:** na **Listed on:** 23 Feb. 2001 (amended on 3 Sep. 2003, 7 Sep. 2007, 21 Sep. 2007, 29 Nov. 2011, 13 Aug. 2012) **Other information:** Believed to be in Afghanistan/Pakistan border area. Taliban member responsible for Nangarhar Province as at 2008. Until 7 Sep. 2007 he was also listed under number TI.A.48.01. Review pursuant to Security Council resolution 1822 (2008) was concluded on 1 Jun. 2010.

**TI.M.104.01. Name:** 1: MOHAMMAD RASUL 2: AYYUB 3: na 4: na

**Name (original script):** محمد رسول ايوب

**Title:** Maulavi **Designation:** Governor of Nimroz Province under the Taliban regime **DOB:** Between 1958 and 1963 **POB:** Robat village, Spin Boldak District, Kandahar Province, Afghanistan **Good quality a.k.a.:** Gurg **Low quality a.k.a.:** na **Nationality:** Afghan **Passport no.:** na **National identification no.:** na **Address:** na **Listed on:** 23 Feb. 2001 (amended on 3 Sep. 2003, 21 Sep. 2007, 29 Nov. 2011) **Other information:** Member of the Taliban Quetta Shura. Believed to be in Afghanistan/Pakistan border area. Belongs to Nurzai tribe. Review pursuant to Security Council resolution 1822 (2008) was concluded on 27 Jul. 2010.

**TI.D.113.01. Name:** 1: SHAHABUDDIN 2: DELAWAR 3: na 4: na

**Name (original script):** شهاب الدين دلاور

**Title:** Maulavi **Designation:** Deputy of High Court under the Taliban regime **DOB:** a) 1957 b) 1953 **POB:** Logar Province, Afghanistan **Good quality a.k.a.:** na **Low quality a.k.a.:** na **Nationality:** Afghan **Passport no.:** Afghan passport number OA296623 **National identification no.:** na **Address:** na **Listed on:** 23 Feb. 2001 (amended on 3 Sep. 2003, 18 Jul. 2007, 21 Sep. 2007, 29 Nov. 2011, 22 Apr. 2013) **Other information:** Deputy Head of Taliban Embassy in Riyadh, Saudi Arabia until 25 Sept. 1998. Believed to be in Afghanistan/Pakistan border area. Review pursuant to Security Council resolution 1822 (2008) was concluded on 27 Jul. 2010.

**TI.D.92.01. Name:** 1: DOST MOHAMMAD 2: na 3: na 4: na

**Name (original script):** دوست محمد

**Title:** a) Mullah b) Maulavi **Designation:** Governor of Ghazni Province under the Taliban regime **DOB:** Between 1968 and 1973 **POB:** a) Nawi Deh village, Daman District, Kandahar Province, Afghanistan b) Marghankecha village, Daman District, Kandahar Province, Afghanistan **Good quality a.k.a.:** Doost Mohammad **Low quality a.k.a.:** na **Nationality:** Afghan **Passport no.:** na **National identification no.:** na **Address:** na **Listed on:** 25 Jan. 2001 (amended on 3 Sep. 2003, 18 Jul. 2007, 21 Sep. 2007, 13 Feb. 2012, 31 Dec. 2013) **Other information:** Associated with Mullah Jalil Haqqani (TI.A.34.01). Believed to be in Afghanistan/Pakistan border area. Belongs to Popalzai tribe. Review pursuant to Security Council resolution 1822 (2008) was concluded on 27 Jul. 2010.

**TI.N.19.01. Name:** 1: NIK MOHAMMAD 2: DOST MOHAMMAD 3: na 4: na

**Name (original script):** نيك محمد دوست محمد

**Title:** Maulavi **Designation:** Deputy Minister of Commerce under the Taliban regime **DOB:** Approximately 1957 **POB:** Zangi Abad village, Panjwai District, Kandahar Province, Afghanistan **Good quality a.k.a.:** Nik Mohammad (previously listed as) **Low quality a.k.a.:** na **Nationality:** Afghan **Passport no.:** na **National identification no.:** na **Address:** na **Listed on:** 31 Jan. 2001 (amended on 3 Sep. 2003, 21 Sep. 2007, 29 Nov. 2011, 13 Aug. 2012, 19 Oct. 2012, 31 Dec. 2013) **Other information:** Leads a commission to register enemies of the Taliban as of mid-2013. Believed to be in Afghanistan/Pakistan border area. Belongs to Nurzai tribe. Review pursuant to Security Council resolution 1822 (2008) was concluded on 27 Jul. 2010.

**TI.E.63.01. Name:** 1: MOHAMMAD AZAM 2: ELMI 3: na 4: na

**Name (original script):** محمد اعظم علمي

**Title:** Maulavi **Designation:** Deputy Minister of Mines and Industries under the Taliban regime **DOB:** Approximately 1968 **POB:** Sayd Karam District, Paktia Province, Afghanistan **Good quality a.k.a.:** Muhammad Azami **Low quality a.k.a.:** na **Nationality:** Afghan **Passport no.:** na **National identification no.:** na **Address:** na **Listed on:** 23 Feb. 2001 (amended on 3 Sep. 2003, 18 Jul. 2007, 21 Sep. 2007, 29 Nov. 2011) **Other information:** Reportedly deceased in 2005. Review pursuant to Security Council resolution 1822 (2008) was concluded on 29 Jul. 2010.

**TI.F.36.01. Name:** 1: FAIZ 2: na 3: na 4: na

**Name (original script):** فيض

**Title:** Maulavi **Designation:** Head of the Information Department, Ministry of Foreign Affairs under the Taliban regime **DOB:** Approximately 1969 **POB:** Ghazni Province, Afghanistan **Good quality a.k.a.:** na **Low quality a.k.a.:** na **Nationality:** Afghan **Passport no.:** na **National identification no.:** na **Address:** na **Listed on:** 23 Feb. 2001 (amended on 3 Sep. 2003, 9 Jul. 2007, 21 Sep. 2007, 29 Nov. 2011) **Other information:** Review pursuant to Security Council resolution 1822 (2008) was concluded on 23 Jul. 2010.

**TI.A.106.01. Name:** 1: MOHAMMAD SHAFIQULLAH 2: AHMADI 3: FATIH KHAN 4: na

**Name (original script):** محمد شفيق الله احمدی فاتح خان

**Title:** Mullah **Designation:** Governor of Samangan Province under the Taliban regime **DOB:** 1956-1957 **POB:** a) Charmistan village, Tirin Kot District, Uruzgan Province, Afghanistan b) Marghi village, Nawa District, Ghazni Province, Afghanistan **Good quality a.k.a.:** a) Mohammad Shafiq Ahmadi (previously listed as) b) Mullah Shafiqullah **Low quality a.k.a.:** na **Nationality:** Afghan **Passport no.:** na **National identification no.:** na **Address:** na **Listed on:** 23 Feb. 2001 (amended on 3 Sep. 2003, 21 Sep. 2007, 1 Jun. 2012, 13 Aug. 2012, 22 Apr. 2013, 31 Dec. 2013) **Other information:** Originally from Ghazni Province, but later lived in Uruzgan. Taliban Shadow Governor for Uruzgan Province as of late 2012. Reportedly killed in airstrike in Shahjoy District, Zabul Province in early 2013. Belongs to Hotak tribe. Review pursuant to Security Council resolution 1822 (2008) was concluded on 27 Jul. 2010.

**TI.A.30.01. Name:** 1: AREFULLAH 2: AREF 3: GHAZI MOHAMMAD 4: na

**Name (original script):** عارف الله عازي محمد

**Title:** Maulavi **Designation:** a) Deputy Minister of Finance under the Taliban regime b) Governor of Ghazni Province under the Taliban regime c) Governor of Paktia Province under the Taliban regime **DOB:** Approximately 1958 **POB:** Lawang (Lawand) village, Gelan District, Ghazni Province, Afghanistan **Good quality a.k.a.:** Arefullah Aref (formerly listed as) **Low quality a.k.a.:** na **Nationality:** Afghan **Passport no.:** na **National identification no.:** na **Address:** na **Listed on:** 31 Jan. 2001 (amended on 3 Sep. 2003, 21 Sep. 2007, 29 Nov. 2011, 31 Dec. 2013) **Other information:** Directs Taliban "front" in Gelan District, Ghazni Province, Afghanistan as of mid-2013. Believed to be in Afghanistan/Pakistan border area. Belongs to Andar tribe. Review pursuant to Security Council resolution 1822 (2008) was concluded on 27 Jul. 2010.

**TI.O.4.01. Name:** 1: MOHAMMED 2: OMAR 3: GHULAM NABI 4: na

**Name (original script):** محمد عمر غلام نبی

**Title:** Mullah **Designation:** Leader of the Faithful ('Amir ul-Mumineen'), Afghanistan **DOB:** a) Approximately 1966 b) 1960 c) 1953 **POB:** a) Naw Deh village, Deh Rawud District, Uruzgan Province, Afghanistan b) Noori village, Maiwand District, Kandahar Province, Afghanistan **Good quality a.k.a.:** na **Low quality a.k.a.:** na **Nationality:** Afghan **Passport no.:** na **National identification no.:** na **Address:** na **Listed on:** 31 Jan. 2001 (amended on 3 Sep. 2003, 21 Sep. 2007, 29 Nov. 2011, 31 Dec. 2013) **Other information:** Father's name is Ghulam Nabi, also known as Mullah Musafir. Left eye missing. Brother-in-law of Ahmad Jan Akhundzada Shukoor Akhundzada (TI.A.109.01.). Believed to be in Afghanistan/Pakistan border area. Belongs to Hotak tribe. Review pursuant to Security Council resolution 1822 (2008) was concluded on 27 Jul. 2010.

**TI.G.161.12. Name:** 1: BAKHT 2: GUL 3: na 4: na

**Name (original script):** بخت گل

**Title:** na **Designation:** na **DOB:** 1980 **POB:** Aki Village, Zadran District, Paktiya Province, Afghanistan **Good quality a.k.a.:** a) Bakhta Gul b) Bakht Gul Bahar c) Shuqib **Low quality a.k.a.:** na **Nationality:** Afghan **Passport no.:** na **National identification no.:** na **Address:** Miram Shah, North Waziristan, Federally Administered Tribal Areas,

Pakistan **Listed on:** 27 Jun. 2012 (amended on 11 Feb. 2014) **Other information:** Communications assistant to Badruddin Haqqani (deceased). Also coordinates movement of Haqqani insurgents, foreign fighters and weapons in the Afghanistan/Pakistan border area. Belongs to Zadran tribe.

**TI.N.69.01. Name:** 1: RUSTUM 2: HANAFI 3: HABIBULLAH 4: na

**Name (original script):** رستم حنفی حبیب الله

**Title:** Maulavi **Designation:** Deputy Minister of Public Works under the Taliban regime **DOB:** Approximately 1963 **POB:** Dara Kolum, Do Aab District, Nuristan Province, Afghanistan **Good quality a.k.a.:** Rostam Nuristani **Low quality a.k.a.:** Hanafi Sahib **Nationality:** Afghan **Passport no.:** na **National identification no.:** na **Address:** na **Listed on:** 25 Jan. 2001 (amended on 3 Sep. 2003, 18 Jul. 2007, 21 Sep. 2007, 29 Nov. 2011, 18 May 2012, 13 Aug. 2012) **Other information:** Taliban member responsible for Nuristan Province, Afghanistan, as of May 2007. Belongs to Nuristani tribe. Reportedly deceased in early 2012. Review pursuant to Security Council resolution 1822 (2008) was concluded on 23 Jul. 2010.

**TI.H.140.01. Name:** 1: GUL AHMAD 2: HAKIMI 3: na 4: na

**Name (original script):** گل احمد حکیمی

**Title:** Maulavi **Designation:** Commercial Attache, Taliban Consulate General, Karachi, Pakistan **DOB:** 1964 **POB:** a) Logar Province, Afghanistan b) Kabul Province, Afghanistan **Good quality a.k.a.:** na **Low quality a.k.a.:** na **Nationality:** Afghan **Passport no.:** na **National identification no.:** na **Address:** na **Listed on:** 25 Jan. 2001 (amended on 3 Sep. 2003, 21 Sep. 2007, 3 Oct. 2008, 29 Nov. 2011) **Other information:** Believed to be in Afghanistan/Pakistan border area. Review pursuant to Security Council resolution 1822 (2008) was concluded on 29 Jul. 2010.

**TI.H.43.01. Name:** 1: DIN MOHAMMAD 2: HANIF 3: na 4: na

**Name (original script):** دین محمد حنیف

**Title:** Qari **Designation:** a) Minister of Planning under the Taliban regime b) Minister of Higher Education under the Taliban regime **DOB:** Approximately 1955 **POB:** Shakarlab village, Yaftali Pain District, Badakhshan Province, Afghanistan **Good quality a.k.a.:** a) Qari Din Mohammad b) Iadana Mohammad, born 1 Jan. 1969 in Badakhshan, **Nationality:** Afghan **Passport number:** OA 454044 **Low quality a.k.a.:** na **Nationality:** Afghan **Passport no.:** na **National identification no.:** na **Address:** na **Listed on:** 25 Jan. 2001 (amended on 3 Sep. 2003, 9 Jul. 2007, 21 Sep. 2007, 29 Nov. 2011, 25 Oct. 2012) **Other information:** Member of Taliban Supreme Council responsible for Takhar and Badakhshan provinces. Believed to be in Afghanistan/Pakistan border area. Review pursuant to Security Council resolution 1822 (2008) was concluded on 27 Jul. 2010.

**TI.H.40.01. Name:** 1: JALALUDDIN 2: HAQQANI 3: na 4: na

**Name (original script):** جلال الدین حقانی

**Title:** Maulavi **Designation:** Minister of Frontier Affairs under the Taliban regime **DOB:** a) Approximately 1942 b) Approximately 1948 **POB:** a) Garda Saray area, Waza Zadran District, Paktia Province, Afghanistan b) Neka District, Paktika Province, Afghanistan **Good quality a.k.a.:** a) Jalaluddin Haqqani b) Jallalouddin Haqqani c) Jallalouddine Haqqani **Low quality a.k.a.:** na **Nationality:** Afghan **Passport no.:** na **National identification no.:** na **Address:** na **Listed on:** 31 Jan. 2001 (amended on 3 Sep. 2003, 18 Jul. 2007, 21 Sep. 2007, 27 Sep. 2007, 1 Feb. 2008, 31 Jul. 2008, 3 Oct. 2008, 29 Nov. 2011, 11 Feb. 2014) **Other information:** Father of Sirajuddin Jallalouddine Haqqani (TI.H.144.07.), Nasiruddin Haqqani (TI.H.146.10.) and Badruddin Haqqani (deceased). Brother of Mohammad Ibrahim Omari (TI.O.42.01.) and Khalil Ahmed Haqqani (TI.H.150.11.). He is an active Taliban leader. Believed to be in Afghanistan/Pakistan border area. Head of the Taliban Miram Shah Shura as at 2008. Belongs to Zadran tribe. Review pursuant to Security Council resolution 1822 (2008) was concluded on 27 Jul. 2010.

**TI.H.150.11. Name:** 1: KHALIL 2: AHMED 3: HAQQANI 4: na

**Name (original script):** خليل احمد حقانی

**Title:** Haji **Designation:** na **DOB:** a) 1 Jan. 1966 b) Between 1958 and 1964 **POB:** Sarana Village, Garda Saray area, Waza Zadran District, Paktia Province, Afghanistan **Good quality a.k.a.:** a) Khalil Al-Rahman Haqqani b) Khalil ur Rahman Haqqani c) Khaleel Haqqani **Low quality a.k.a.:** na **Nationality:** Afghan **Passport no.:** na **National identification no.:** na **Address:** a) Peshawar, Pakistan b) Near Dergey Manday Madrasa in Dergey Manday Village, near Miram Shah, North Waziristan Agency (NWA), Federally Administered Tribal Areas (FATA), Pakistan c) Kayla Village, near Miram Shah, North Waziristan Agency (NWA), Federally Administered Tribal Areas (FATA), Pakistan d)

Sarana Zadran Village, Paktia Province, Afghanistan **Listed on:** 9 Feb. 2011 (amended on 1 Jun. 2012) **Other information:** Senior member of the Haqqani Network (TE.H.12.12.), which operates out of North Waziristan in the Federally Administered Tribal Areas of Pakistan. Has previously traveled to, and raised funds in, Dubai, United Arab Emirates. Brother of Jalaluddin Haqqani (TI.H.40.01.) and uncle of Sirajuddin Jallaloudine Haqqani (TI.H.144.07.).

**TI.H.79.01. Name:** 1: MOHAMMAD SALIM 2: HAQQANI 3: na 4: na

**Name (original script):** محمد سليم حقانی

**Title:** Maulavi **Designation:** Deputy Minister of Preventing Vice and Propagating Virtue under the Taliban regime **DOB:** Approximately 1966-1967 **POB:** Alingar District, Laghman Province, Afghanistan **Good quality a.k.a.:** na **Low quality a.k.a.:** na **Nationality:** Afghan **Passport no.:** na **National identification no.:** na **Address:** na **Listed on:** 31 Jan. 2001 (amended on 3 Sep. 2003, 18 Jul. 2007, 21 Sep. 2007, 29 Nov. 2011) **Other information:** Deputy Commander of Ezatullah Haqqani Khan Sayyid (TI.H.64.01) as at Mar. 2010. Member of Taliban Peshawar Military Council as at June 2010. Belongs to Pashai ethnic group. Review pursuant to Security Council resolution 1822 (2008) was concluded on 27 Jul. 2010.

**TI.H.146.10. Name:** 1: NASIRUDDIN 2: HAQQANI 3: na 4: na

**Name (original script):** نصير الدين حقانی

**Title:** na **Designation:** na **DOB:** Approximately 1970-1973 **POB:** Neka District, Paktika Province, Afghanistan **Good quality a.k.a.:** a) Dr. Alim Ghair b) Naseer Haqqani c) Dr. Naseer Haqqani d) Nassir Haqqani e) Nashir Haqqani **Low quality a.k.a.:** Naseruddin **Nationality:** Afghan **Passport no.:** na **National identification no.:** na **Address:** Pakistan **Listed on:** 20 Jul. 2010 (amended on 29 Jul. 2011, 18 May 2012, 27 Jun. 2013, 11 Feb. 2014) **Other information:** A leader of the Haqqani Network (TE.H.12.12.), which operates out of North Waziristan in the Federally Administered Tribal Areas of Pakistan. Son of Jalaluddin Haqqani (TI.H.40.01). Has travelled to Saudi Arabia and the United Arab Emirates to raise funds for the Taliban. Reportedly deceased as of 2013.

**TI.H.6.01. Name:** 1: SAYYED MOHAMMED 2: HAQQANI 3: na 4: na

**Name (original script):** سيد محمد حقانی

**Title:** Mullah **Designation:** a) Director of Administrative Affairs under the Taliban regime b) Head of Information and Culture in Kandahar Province under the Taliban regime **DOB:** Approximately 1965 **POB:** Chaharbagh village, Arghandab District, Kandahar Province, Afghanistan **Good quality a.k.a.:** Sayyed Mohammad Haqqani **Low quality a.k.a.:** na **Nationality:** Afghan **Passport no.:** na **National identification no.:** na **Address:** na **Listed on:** 31 Jan. 2001 (amended on 3 Sep. 2003, 20 Dec. 2005, 18 Jul. 2007, 21 Sep. 2007, 29 Nov. 2011) **Other information:** Graduate of the Haqqaniya madrasa in Akora Khattak, Pakistan. Believed to have had close relations with Taliban Leader Mullah Mohammed Omar (TI.O.4.01). Believed to be in Afghanistan/Pakistan border area. Member of Taliban Supreme Council as at June 2010. Belongs to Barakzai tribe. Review pursuant to Security Council resolution 1822 (2008) was concluded on 27 Jul. 2010.

**TI.H.144.07. Name:** 1: SIRAJUDDIN 2: JALLALUDDINE 3: HAQQANI 4: na

**Name (original script):** سراج الدين جلال الدين حقانی

**Title:** na **Designation:** Na'ib Amir (Deputy Commander) **DOB:** Approximately 1977/1978 **POB:** a) Danda, Miramshah, North Waziristan, Pakistan b) Srana village, Garda Saray district, Paktia province, Afghanistan c) Neka district, Paktika province, Afghanistan d) Khost province, Afghanistan **Good quality a.k.a.:** a) Siraj Haqqani b) Serajuddin Haqqani c) Siraj Haqqani d) Saraj Haqqani **Low quality a.k.a.:** Khalifa **Nationality:** Afghan **Passport no.:** na **National identification no.:** na **Address:** a) Kela neighborhood/Danda neighborhood, Miramshah, North Waziristan, Pakistan b) Manba'ul uloom Madrasa, Miramshah, North Waziristan, Pakistan c) Dergey Manday Madrasa, Miramshah, North Waziristan, Pakistan **Listed on:** 13 Sep. 2007 (amended on 22 Apr. 2013) **Other information:** Heading the Haqqani Network (TE.H.12.12.) as of late 2012. Son of Jalaluddin Haqqani (TI.H.40.01.). Belongs to Sultan Khel section, Zadran tribe of Garda Saray of Paktia province, Afghanistan. Believed to be in the Afghanistan/Pakistan border area. Review pursuant to Security Council resolution 1822 (2008) was concluded on 27 Jul. 2010.

**TI.H.14.01. Name:** 1: HIDAYATULLAH 2: na 3: na 4: na

**Name (original script):** هدايت الله

**Title:** na **Designation:** Deputy Minister of Civil Aviation and Tourism under the Taliban regime **DOB:** Approximately 1968 **POB:** Arghandab District, Kandahar Province, Afghanistan **Good quality a.k.a.:** Abu Turab **Low quality a.k.a.:** na **Nationality:** Afghan **Passport no.:** na **National identification no.:** na **Address:** na **Listed on:** 8 Mar.



2001 (amended on 3 Sep. 2003, 21 Sep. 2007, 28 Feb. 2008, 3 Oct. 2008, 29 Nov. 2011) **Other information:** Believed to be in Afghanistan/Pakistan border area. Belongs to Ghilzai tribe. Review pursuant to Security Council resolution 1822 (2008) was concluded on 29 Jul. 2010.

**TI.H.71.01. Name:** 1: NAJIBULLAH 2: HAQQANI 3: HIDAYATULLAH 4: na

**Name (original script):** نجیب الله حقانی هدایت الله

**Title:** Maulavi **Designation:** Deputy Minister of Finance under the Taliban regime **DOB:** 1971 **POB:** Moni village, Shigal District, Kunar Province **Good quality a.k.a.:** Najibullah Haqani **Low quality a.k.a.:** na **Nationality:** Afghan **Passport no.:** na **National identification no.:** Afghan national identification card (tazkira) number 545167 issued in 1974 **Address:** na **Listed on:** 23 Feb. 2001 (amended on 3 Sep. 2003, 18 Jul. 2007, 21 Sep. 2007, 27 Sep. 2007, 29 Nov. 2011, 16 May 2014) **Other information:** Cousin of Moulavi Noor Jalal. Grandfather's name is Salam. Taliban member responsible for Laghman Province as of late 2010. Believed to be in Afghanistan/Pakistan border area. Review pursuant to Security Council resolution 1822 (2008) was concluded on 1 Jun. 2010.

**TI.H.49.01. Name:** 1: ABDUL RAHMAN 2: AHMAD 3: HOTTAK 4: na

**Name (original script):** عبدالرحمان احمد هوتک

**Title:** Maulavi **Designation:** a) Deputy (Cultural) Minister of Information and Culture under the Taliban regime b) Head of Consular Department of Ministry of Foreign Affairs under the Taliban regime **DOB:** Approximately 1957 **POB:** Ghazni Province, Afghanistan **Good quality a.k.a.:** Hottak Sahib **Low quality a.k.a.:** na **Nationality:** Afghan **Passport no.:** na **National identification no.:** na **Address:** na **Listed on:** 25 Jan. 2001 (amended on 3 Sep. 2003, 9 Jul. 2007, 21 Sep. 2007, 29 Nov. 2011) **Other information:** Believed to be in Afghanistan/Pakistan border area. Belongs to Hotak tribe. Review pursuant to Security Council resolution 1822 (2008) was concluded on 29 Jul. 2010.

**TI.M.119.01. Name:** 1: JAN MOHAMMAD 2: MADANI 3: IKRAM 4: na

**Name (original script):** جان محمد مدنی اکرام

**Title:** Maulavi **Designation:** Charge d'Affaires, Taliban Embassy, Abu Dhabi, United Arab Emirates **DOB:** 1954-1955 **POB:** Siyachoy village, Panjwai District, Kandahar Province, Afghanistan **Good quality a.k.a.:** na **Low quality a.k.a.:** na **Nationality:** Afghan **Passport no.:** na **National identification no.:** na **Address:** na **Listed on:** 25 Jan. 2001 (amended on 3 Sep. 2003, 21 Sep. 2007, 29 Nov. 2011, 15 Aug. 2012) **Other information:** Believed to be in Afghanistan/Pakistan border area. Belongs to Alizai tribe. Review pursuant to Security Council resolution 1822 (2008) was concluded on 29 Jul. 2010.

**TI.I.147.10. Name:** 1: GUL 2: AGHA 3: ISHAKZAI 4: na

**Name (original script):** گل آغا اسحاقزی

**Title:** na **Designation:** na **DOB:** Approximately 1972 **POB:** Band-e Temur, Maiwand District, Kandahar Province, Afghanistan **Good quality a.k.a.:** a) Mullah Gul Agha b) Mullah Gul Agha Akhund **Low quality a.k.a.:** a) Hidayatullah b) Haji Hidayatullah c) Hayadatullah **Nationality:** na **Passport no.:** na **National identification no.:** na **Address:** Pakistan **Listed on:** 20 Jul. 2010 (amended on 29 Nov. 2011, 31 Dec. 2013) **Other information:** Member of a Taliban Council that coordinates the collection of zakat (Islamic tax) from Baluchistan Province, Pakistan. Head of Taliban Financial Commission as at mid-2013. Associated with Mullah Mohammed Omar (TI.O.4.01). Served as Omar's principal finance officer and one of his closest advisors. Belongs to Ishaqzai tribe.

**TI.J.47.01. Name:** 1: QUDRATULLAH 2: JAMAL 3: na 4: na

**Name (original script):** قدرت الله جمال

**Title:** Maulavi **Designation:** Minister of Information under the Taliban regime **DOB:** Approximately 1963 **POB:** Gardez, Paktia Province, Afghanistan **Good quality a.k.a.:** Haji Sahib **Low quality a.k.a.:** na **Nationality:** Afghan **Passport no.:** na **National identification no.:** na **Address:** na **Listed on:** 25 Jan. 2001 (amended on 3 Sep. 2003, 18 Jul. 2007, 21 Sep. 2007, 29 Nov. 2011) **Other information:** Member of Taliban Supreme Council and member of Taliban Cultural Commission as at 2010. Believed to be in Afghanistan/Pakistan border area. Review pursuant to Security Council resolution 1822 (2008) was concluded on 21 Jul. 2010.

**TI.K.137.01. Name:** 1: RAHMATULLAH 2: KAKAZADA 3: na 4: na

**Name (original script):** رحمت الله کاکا زاده

**Title:** a) Maulavi b) Mullah **Designation:** Consul General, Taliban Consulate General, Karachi, Pakistan **DOB:**

1968 **POB:** Zurmat District, Paktia Province, Afghanistan **Good quality a.k.a.:** a) Rehmatullah b) Kakazada **Low quality a.k.a.:** Mullah Nasir **Nationality:** Afghan **Passport no.:** Afghan passport number D 000952 issued on 7 Jan. 1999 **National identification no.:** na **Address:** na **Listed on:** 25 Jan. 2001 (amended on 3 Sep. 2003, 25 Jul. 2006, 18 Jul. 2007, 21 Sep. 2007, 29 Nov. 2011) **Other information:** Taliban member responsible for Ghazni Province, Afghanistan, as of May 2007. Head of an intelligence network. Believed to be in Afghanistan/Pakistan border area. Belongs to Suleimankheil tribe. Review pursuant to Security Council resolution 1822 (2008) was concluded on 21 Jul. 2010.

**TI.K.25.01. Name:** 1: ABDUL RAUF 2: KHADEM 3: na 4: na

**Name (original script):** عبدالروف خادم

**Title:** Mullah **Designation:** Commander of Central Corps under the Taliban regime **DOB:** a) Between 1958 and 1963 b) Approximately 1970 **POB:** a) Azan village, Kajaki District, Helmand Province, Afghanistan b) Spin Boldak District, Kandahar Province, Afghanistan **Good quality a.k.a.:** Mullah Abdul Rauf Aliza **Low quality a.k.a.:** na **Nationality:** Afghan **Passport no.:** na **National identification no.:** na **Address:** na **Listed on:** 23 Feb. 2001 (amended on 3 Sep. 2003, 21 Sep. 2007, 13 Feb. 2012) **Other information:** Member of the Taliban Quetta Shura as at 2009. Taliban member responsible for Uruzgan Province, Afghanistan, as at 2011. Review pursuant to Security Council resolution 1822 (2008) was concluded on 1 Jun. 2010.

**TI.K.93.01. Name:** 1: KHAIRULLAH 2: KHAIRKHWAH 3: na 4: na

**Name (original script):** خیر الله خیرخواه

**Title:** a) Maulavi b) Mullah **Designation:** a) Governor of Herat Province under the Taliban regime b) Spokesperson of the Taliban regime c) Governor of Kabul province under the Taliban regime d) Minister of Internal Affairs under the Taliban regime **DOB:** Approximately 1963 **POB:** Poti village, Arghistan district, Kandahar province, Afghanistan **Good quality a.k.a.:** a) Mullah Khairullah Khairkhwah b) Khirullah Said Wali Khairkhwa, born in Kandahar on 01 Jan. 1967 **Low quality a.k.a.:** na **Nationality:** Afghan **Passport no.:** na **National identification no.:** na **Address:** Guantanamo Bay prison **Listed on:** 25 Jan. 2001 (amended on 3 Sep. 2003, 21 Sep. 2007, 3 Oct. 2008, 12 Apr. 2010, 29 Nov. 2011, 31 Dec. 2013) **Other information:** In custody of the United States of America as at mid-2013. Belongs to Popalzai tribe. Review pursuant to Security Council resolution 1822 (2008) was concluded on 23 Jul. 2010.

**TI.E.64.01. Name:** 1: EZATULLAH 2: HAQQANI 3: KHAN SAYYID 4: na

**Name (original script):** عزت الله حقانی خان سید

**Title:** Maulavi **Designation:** Deputy Minister of Planning under the Taliban regime **DOB:** Approximately 1957 **POB:** Alingar District, Laghman Province, Afghanistan **Good quality a.k.a.:** Ezatullah Haqqani (previously listed as) **Low quality a.k.a.:** na **Nationality:** Afghan **Passport no.:** na **National identification no.:** na **Address:** na **Listed on:** 23 Feb. 2001 (amended on 3 Sep. 2003, 18 Jul. 2007, 21 Sep. 2007, 27 Sep. 2007, 29 Nov. 2011, 18 May 2012) **Other information:** Member of the Taliban Peshawar Shura as of 2008. Believed to be in Afghanistan/Pakistan border area. Review pursuant to Security Council resolution 1822 (2008) was concluded on 1 Jun. 2010.

**TI.N.13.01. Name:** 1: MOHAMMAD NAIM 2: BARICH 3: KHUDAIDAD 4: na

**Name (original script):** محمد نعیم بریخ خدایداد

**Title:** Mullah **Designation:** Deputy Minister of Civil Aviation under the Taliban regime **DOB:** Approximately 1975 **POB:** a) Lakhi village, Hazarjuft Area, Garmsir District, Helmand Province, Afghanistan b) Laki village, Garmsir District, Helmand Province, Afghanistan c) Lakari village, Garmsir District, Helmand Province, Afghanistan d) Darvishan, Garmsir District, Helmand Province, Afghanistan e) De Luy Wiyalah village, Garmsir District, Helmand Province, Afghanistan **Good quality a.k.a.:** a) Mullah Naeem Barech b) Mullah Naeem Baraich c) Mullah Naimullah d) Mullah Naim Bareh e) Mohammad Naim, (previously listed as) f) Mullah Naim Barich g) Mullah Naim Barech h) Mullah Naim Barech Akhund i) Mullah Naeem Baric j) Naim Berich k) Haji Gul Mohammed Naim Barich l) Gul Mohammad m) Haji Ghul Mohammad n) Gul Mohammad Kamran o) Mawlawi Gul Mohammad **Low quality a.k.a.:** Spen Zrae **Nationality:** Afghan **Passport no.:** na **National identification no.:** na **Address:** na **Listed on:** 23 Feb. 2001 (amended on 3 Sep. 2003, 9 Jul. 2007, 21 Sep. 2007, 13 Feb. 2012, 13 Aug. 2012, 22 Apr. 2013, 31 Dec. 2013) **Other information:** Member of the Taliban Military Commission as at mid-2013. Believed to be in Afghanistan/Pakistan border area. Belongs to Barich tribe. Review pursuant to Security Council resolution 1822 (2008) was concluded on 1 Jun. 2010.

**TI.K.163.12. Name:** 1: KHAIRULLAH 2: BARAKZAI 3: KHUDAI NAZAR 4: na

**Name (original script):** خیر الله بارکزی خدای نظر

**Title:** Haji **Designation:** na **DOB:** 1965 **POB:** a) Zumbaleh village, Nahr-e Saraj District, Helmand Province, Afghanistan b) Mirmadaw village, Gereshk District, Helmand Province, Afghanistan c) Qilla Abdullah, Baluchistan Province, Pakistan **Good quality a.k.a.:** a) Haji Khairullah b) Haji Khair Ullah c) Haji Kheirullah d) Haji Karimullah e) Haji Khair Mohammad **Low quality a.k.a.:** na **Nationality:** na **Passport no.:** Pakistan passport number BP4199631 expires on 25 Jun. 2014, officially cancelled as of 2013 **National identification no.:** Pakistan National Identification number 5440005229635, officially cancelled as of 2013 **Address:** Abdul Manan Chowk, Pashtunabad, Quetta, Baluchistan Province, Pakistan **Listed on:** 29 Jun. 2012 (amended on 11 Feb. 2014) **Other information:** Co-owner of Haji Khairullah Haji Sattar Money Exchange (TE.H.1.12.) and associated also with Abdul Satar Abdul Manan (TI.A.162.12.). Belongs to Barakzai tribe. Father's name is Haji Khudai Nazar. Alternative father's name is Nazar Mohammad.

**TI.Q.165.12. Name:** 1: MOHAMMED QASIM 2: MIR WALI 3: KHUDAI RAHIM 4: na

**Name (original script):** محمد قاسم میر ولی خدایرحیم

**Title:** Haji **Designation:** na **DOB:** Between 1975 and 1976 **POB:** a) Minar village, Garmser District, Helmand Province, Afghanistan b) Darweshan Village, Garmser District, Helmand Province **Good quality a.k.a.:** a) Muhammad Qasim b) Abdul Salam **Low quality a.k.a.:** na **Nationality:** Afghan **Passport no.:** na **National identification no.:** a) Afghan national identification card (tazkira) number 57388 issued in Lashkar Gah District, Helmand Province, Afghanistan b) Residential card number 665, Ayno Maina, Kandahar Province, Afghanistan **Address:** a) Wesh, Spin Boldak District, Kandahar Province, Afghanistan b) Safaar Bazaar, Garmser District, Helmand Province, Afghanistan c) Room number 33, 5th Floor Sarafi Market, Kandahar City, Kandahar Province, Afghanistan **Listed on:** 21 Nov. 2012 (amended on 22 Apr. 2013) **Other information:** Owner of Rahat Ltd. (TE.R.13.12.). Involved in the supply of weapons for Taliban, including improvised explosive devices (IED). Arrested in 2012 and in custody in Afghanistan as of January 2013. Associated with Rahat Ltd. (TE.R.13.12.).

**TI.A.53.01. Name:** 1: ABDUL RAZAQ 2: AKHUND 3: LALA AKHUND 4: na

**Name (original script):** عبد الرزاق آخوند لا لا آخوند

**Title:** Mullah **Designation:** a) Minister of Interior Affairs under the Taliban regime b) Chief of Kabul Police under the Taliban regime **DOB:** Approximately 1958 **POB:** Spin Boldak District, Kandahar Province, Afghanistan, in the area bordering Chaman District, Quetta, Pakistan **Good quality a.k.a.:** na **Low quality a.k.a.:** na **Nationality:** Afghan **Passport no.:** na **National identification no.:** na **Address:** na **Listed on:** 25 Jan. 2001 (amended on 3 Sep. 2003, 18 Jul. 2007, 21 Sep. 2007, 29 Nov. 2011, 31 Dec. 2013) **Other information:** Member of Taliban Supreme Council as at June 2008. Deputy of Mullah Mohammed Omar (TI.O.4.01.) as at Mar. 2010. Member of the Supervision Commission of the Taliban as of mid-2013. Involved in drug trafficking. Believed to be in Afghanistan/Pakistan border area. Belongs to Achekzai tribe. Review pursuant to Security Council resolution 1822 (2008) was concluded on 21 Jul. 2010.

**TI.M.102.01. Name:** 1: ZIA-UR-RAHMAN 2: MADANI 3: na 4: na

**Name (original script):** ضیا الرحمن مدنی

**Title:** Maulavi **Designation:** Governor of Logar Province under the Taliban regime **DOB:** Approximately 1960 **POB:** a) Pallran village, Namakab District, Takhar Province, Afghanistan b) Taluqan City, Takhar Province, Afghanistan **Good quality a.k.a.:** a) Ziaurrahman Madani b) Zaia u Rahman Madani c) Madani Saheb d) Diya' al-Rahman Madani **Low quality a.k.a.:** na **Nationality:** Afghan **Passport no.:** na **National identification no.:** na **Address:** na **Listed on:** 23 Feb. 2001 (amended on 3 Sep. 2003, 18 Jul. 2007, 21 Sep. 2007, 27 Sep. 2007, 1 Feb. 2008, 13 Feb. 2012, 31 Dec. 2013) **Other information:** Involved in drug trafficking. Taliban member responsible for military affairs in Takhar province, Afghanistan, as of May 2007. Facilitated fund raising in the Gulf on behalf of the Taliban since 2003. Also facilitated meetings between Taliban officials and wealthy supporters and arranged for more than a dozen individuals to travel to Kabul, Afghanistan, for suicide attacks. Believed to be in the Gulf region. Review pursuant to Security Council resolution 1822 (2008) was concluded on 23 Jul. 2010.

**TI.M.7.01. Name:** 1: ABDUL LATIF 2: MANSUR 3: na 4: na

**Name (original script):** عبداللطيف منصور

**Title:** Maulavi **Designation:** Minister of Agriculture under the Taliban regime **DOB:** Approximately 1968 **POB:** a) Zurmat District, Paktia Province, Afghanistan b) Garda Saray District, Paktia Province, Afghanistan **Good quality a.k.a.:** a) Abdul Latif Mansoor b) Wali Mohammad **Low quality a.k.a.:** na **Nationality:** Afghan **Passport no.:**

na **National identification no.:** na **Address:** na **Listed on:** 31 Jan. 2001 (amended on 3 Sep. 2003, 18 Jul. 2007, 21 Sep. 2007, 13 Feb. 2012, 18 May 2012, 22 Apr. 2013) **Other information:** Taliban Shadow Governor for Logar Province as of late 2012. Believed to be in Afghanistan/Pakistan border area. Belongs to Sahak tribe (Ghilzai). Review pursuant to Security Council resolution 1822 (2008) was concluded on 27 Jul. 2010.

**TI.M.68.01. Name:** 1: MOHAMMADULLAH 2: MATI 3: na 4: na

**Name (original script):** محمد الله مطيع

**Title:** Maulavi **Designation:** Minister of Public Works under the Taliban regime **DOB:** Approximately 1961 **POB:** Arghandab District, Kandahar Province, Afghanistan **Good quality a.k.a.:** Mawlawi Nanai **Low quality a.k.a.:** na **Nationality:** Afghan **Passport no.:** na **National identification no.:** na **Address:** na **Listed on:** 25 Jan. 2001 (amended on 3 Sep. 2003, 21 Sep. 2007, 3 Oct. 2008, 29 Nov. 2011, 31 Dec. 2013) **Other information:** Lost one leg in 1980s. Interim leader of Taliban Supreme Council from February to April 2010. In charge of recruitment activities as of mid-2013. Believed to be in Afghanistan/Pakistan border area. Belongs to Isakzai tribe. Review pursuant to Security Council resolution 1822 (2008) was concluded on 29 Jul. 2010.

**TI.A.21.01. Name:** 1: ALLAH DAD 2: MATIN 3: na 4: na

**Name (original script):** الله داد متين

**Title:** Mullah **Designation:** a) Minister of Urban Development under the Taliban regime b) President of Central Bank (Da Afghanistan Bank) under the Taliban regime c) Head of Ariana Afghan Airlines under the Taliban regime **DOB:** a) Approximately 1953 b) Approximately 1960 **POB:** Kadani village, Spin Boldak District, Kandahar Province, Afghanistan **Good quality a.k.a.:** a) Allahdad (previously listed as) b) Shahidwror **Low quality a.k.a.:** Akhund **Nationality:** Afghan **Passport no.:** na **National identification no.:** na **Address:** na **Listed on:** 31 Jan. 2001 (amended on 3 Sep. 2003, 21 Sep. 2007, 29 Nov. 2011, 31 Dec. 2013) **Other information:** One foot lost in landmine explosion. Believed to be in Afghanistan/Pakistan border area. Belongs to Nurzai tribe. Review pursuant to Security Council resolution 1822 (2008) was concluded on 27 Jul. 2010.

**TI.M.20.01. Name:** 1: MATIULLAH 2: na 3: na 4: na

**Name (original script):** مطيع الله

**Title:** Mullah **Designation:** Director, Kabul Custom House under the Taliban regime **DOB:** Approximately 1973 **POB:** Daman District, Kandahar Province, Afghanistan **Good quality a.k.a.:** na **Low quality a.k.a.:** na **Nationality:** Afghan **Passport no.:** na **National identification no.:** na **Address:** na **Listed on:** 23 Feb. 2001 (amended on 3 Sep. 2003, 21 Sep. 2007, 3 Oct. 2008, 29 Nov. 2011, 31 Dec. 2013) **Other information:** Works on recruitment for the Taliban movement as of mid-2013. Believed to be in Afghanistan/Pakistan border area. Belongs to Popalzai tribe. Review pursuant to Security Council resolution 1822 (2008) was concluded on 23 Jul. 2010.

**TI.M.135.01. Name:** 1: ABDUL QUDDUS 2: MAZHARI 3: na 4: na

**Name (original script):** عبد القدوس مظهرى

**Title:** Maulavi **Designation:** Education Attache, Taliban Consulate General, Peshawar, Pakistan **DOB:** 1970 **POB:** Kunduz Province, Afghanistan **Good quality a.k.a.:** Akhtar Mohammad Maz-hari (previously listed as) **Low quality a.k.a.:** na **Nationality:** Afghan **Passport no.:** Afghan passport number SE 012820, issued on 4 Nov. 2000 **National identification no.:** na **Address:** Kushal Khan Mena, District Number 5, Kabul, Afghanistan **Listed on:** 25 Jan. 2001 (amended on 3 Sep. 2003, 25 Jul. 2006, 18 Jul. 2007, 21 Sep. 2007, 23 Nov. 2011) **Other information:** Belongs to Popalzai tribe. Review pursuant to Security Council resolution 1822 (2008) was concluded on 27 Jul. 2010.

**TI.M.23.01. Name:** 1: FAZL MOHAMMAD 2: MAZLOOM 3: na 4: na

**Name (original script):** فضل محمد مظلوم

**Title:** Mullah **Designation:** Deputy Chief of Army Staff of the Taliban regime **DOB:** Between 1963 and 1968 **POB:** Uruzgan, Afghanistan **Good quality a.k.a.:** a) Molah Fazl b) Fazel Mohammad Mazloom **Low quality a.k.a.:** na **Nationality:** Afghan **Passport no.:** na **National identification no.:** na **Address:** Guantanamo Bay prison **Listed on:** 23 Feb. 2001 (amended on 3 Sep. 2003, 21 Sep. 2007, 3 Oct. 2008, 31 Dec. 2013) **Other information:** In custody of the United States of America as at mid-2013. Review pursuant to Security Council resolution 1822 (2008) was concluded on 23 Jul. 2010.

**TI.M.78.01. Name:** 1: MOHAMMAD WALI 2: MOHAMMAD EWAZ 3: na 4: na

**Name (original script):** محمد ولي محمد عوض

**Title:** Maulavi **Designation:** Minister of Ministry of Preventing Vice and Propagating Virtue under the Taliban regime **DOB:** Approximately 1965 **POB:** a) Jelawur village, Arghandab District, Kandahar Province, Afghanistan b) Siyachoy village, Panjwai District, Kandahar Province, Afghanistan **Good quality a.k.a.:** Mohammad Wali (previously listed as) **Low quality a.k.a.:** na **Nationality:** Afghan **Passport no.:** na **National identification no.:** na **Address:** na **Listed on:** 31 Jan. 2001 (amended on 3 Sep. 2003, 21 Sep. 2007, 29 Nov. 2011, 13 Aug. 2012, 31 Dec. 2013) **Other information:** Reportedly deceased in December 2006 and buried in Panjwai District, Kandahar Province, Afghanistan. Belonged to Ghilzai tribe. Review pursuant to Security Council resolution 1822 (2008) was concluded on 27 Jul. 2010.

**TI.M.99.01. Name:** 1: MOHAMMAD SHAFIQ 2: MOHAMMADI 3: na 4: na

**Name (original script):** محمد شفيق محمدی

**Title:** Maulavi **Designation:** a) Governor of Khost Province under the Taliban regime b) Governor General of Paktia, Paktika, Khost and Ghazni Provinces under the Taliban regime **DOB:** Approximately 1948 **POB:** Tirin Kot District, Uruzgan Province, Afghanistan **Good quality a.k.a.:** na **Low quality a.k.a.:** na **Nationality:** Afghan **Passport no.:** na **National identification no.:** na **Address:** na **Listed on:** 25 Jan. 2001 (amended on 3 Sep. 2003, 21 Sep. 2007, 29 Nov. 2011, 31 Dec. 2013) **Other information:** Supervises two military training centers of the Taliban as of mid-2013. Believed to be in Afghanistan/Pakistan border area. Belongs to Hotak tribe. Review pursuant to Security Council resolution 1822 (2008) was concluded on 29 Jul. 2010.

**TI.A.122.01. Name:** 1: ABDUL MANAN 2: MOHAMMAD ISHAK 3: na 4: na

**Name (original script):** عبدالمنان محمد اسحاق

**Title:** Maulavi **Designation:** a) First Secretary, Taliban Embassy, Riyadh, Saudi Arabia b) Commercial Attache, Taliban Embassy, Abu Dhabi, United Arab Emirates **DOB:** 1940-1941 **POB:** Siyachoy village, Panjwai District, Kandahar Province, Afghanistan **Good quality a.k.a.:** na **Low quality a.k.a.:** na **Nationality:** Afghan **Passport no.:** na **National identification no.:** na **Address:** na **Listed on:** 25 Jan. 2001 (amended on 3 Sep. 2003, 21 Sep. 2007, 29 Nov. 2011, 15 Aug. 2012) **Other information:** Review pursuant to Security Council resolution 1822 (2008) was concluded on 27 Jul. 2010.

**TI.A.3.01. Name:** 1: ABDUL KABIR 2: MOHAMMAD JAN 3: na 4: na

**Name (original script):** عبد الكبير محمد جان

**Title:** Maulavi **Designation:** a) Second Deputy, Economic Affairs, Council of Ministers under the Taliban regime b) Governor of Nangarhar Province under the Taliban regime c) Head of Eastern Zone under the Taliban regime **DOB:** Approximately 1963 **POB:** Pul-e-Khumri or Baghlan Jadid District, Baghlan Province, Afghanistan **Good quality a.k.a.:** A. Kabir **Low quality a.k.a.:** na **Nationality:** Afghan **Passport no.:** na **National identification no.:** na **Address:** na **Listed on:** 25 Jan. 2001 (amended on 3 Sep. 2003, 20 Dec. 2005, 18 Jul. 2007, 21 Sep. 2007, 13 Feb. 2012, 13 Aug. 2012, 31 Dec. 2013) **Other information:** Active in terrorist operations in Eastern Afghanistan. Collects money from drug traffickers. Believed to be in Afghanistan/Pakistan border area. Member of the Taliban Supreme Council as at 2009. Family is originally from Neka District, Paktia Province, Afghanistan. Responsible for attack on Afghan parliamentarians in November 2007 in Baghlan; owns land in central Baghlan Province. Belongs to Zadran tribe. Review pursuant to Security Council resolution 1822 (2008) was concluded on 23 Jul. 2010.

**TI.H.141.01. Name:** 1: ABDULLAH 2: HAMAD 3: MOHAMMAD KARIM 4: na

**Name (original script):** عبد الله حماد محمد كريم

**Title:** Maulavi **Designation:** Consul General, Taliban Consulate General, Quetta, Pakistan **DOB:** 1972 **POB:** Darweshan village, Hazar Juft area, Garmser District, Helmand Province, Afghanistan **Good quality a.k.a.:** al-Hammad **Low quality a.k.a.:** na **Nationality:** Afghan **Passport no.:** Afghan passport number D 000857, issued on 20 Nov. 1997 **National identification no.:** Afghan national identification card (tazkira) number 300786 **Address:** na **Listed on:** 25 Jan. 2001 (amended on 3 Sep. 2003, 25 Jul. 2006, 21 Sep. 2007, 3 Oct. 2008, 29 Nov. 2011) **Other information:** Believed to be in Afghanistan/Pakistan border area. Belongs to Baloch ethnic group. Review pursuant to Security Council resolution 1822 (2008) was concluded on 29 Jul. 2010.

**TI.S.126.01. Name:** 1: MOHAMMAD 2: SARWAR 3: SIDDIQMAL 4: MOHAMMAD MASOOD

**Name (original script):** محمد سرور صدیق مل محمد مسعود

**Title:** na **Designation:** Third Secretary, Taliban Embassy, Islamabad, Pakistan **DOB:** 1963 **POB:** Jani Khel District, Paktia Province, Afghanistan **Good quality a.k.a.:** Mohammad Sarwar Siddiqmal (previously listed as) **Low quality a.k.a.:** na **Nationality:** Afghan **Passport no.:** na **National identification no.:** Afghan national identification card (tazkira) number 19657 **Address:** na **Listed on:** 25 Jan. 2001 (amended on 3 Sep. 2003, 21 Sep. 2007, 29 Nov. 2011) **Other information:** Belongs to Mangal tribe. Review pursuant to Security Council resolution 1822 (2008) was concluded on 29 Jul. 2010.

**TI.M.52.01. Name:** 1: MOHAMMAD YAQOUB 2: na 3: na 4: na

**Name (original script):** محمد یعقوب

**Title:** Maulavi **Designation:** Head of Bakhtar Information Agency (BIA) under the Taliban regime **DOB:** Approximately 1966 **POB:** a) Shahjoi District, Zabul Province, Afghanistan b) Janda District, Ghazni Province, Afghanistan **Good quality a.k.a.:** na **Low quality a.k.a.:** na **Nationality:** Afghan **Passport no.:** na **National identification no.:** na **Address:** na **Listed on:** 23 Feb. 2001 (amended on 3 Sep. 2003, 21 Sep. 2007, 29 Nov. 2011, 1 Jun. 2012, 31 Dec. 2013) **Other information:** Member of Taliban Cultural Commission. Directs a Taliban "front" and coordinates all military activities of Taliban forces in Maiwand District, Kandahar Province, Afghanistan as of mid-2013. Believed to be in Afghanistan/Pakistan border area. Belongs to Kharoti (Taraki) tribe. Review pursuant to Security Council resolution 1822 (2008) was concluded on 23 Jul. 2010.

**TI.M.26.01. Name:** 1: AMIR KHAN 2: MOTAQI 3: na 4: na

**Name (original script):** امیر خان متقی

**Title:** Mullah **Designation:** a) Minister of Education under the Taliban regime b) Taliban representative in UN-led talks under the Taliban regime **DOB:** Approximately 1968 **POB:** a) Zurmat District, Paktia Province, Afghanistan b) Shin Kalai village, Nad-e-Ali District, Helmand Province, Afghanistan **Good quality a.k.a.:** Amir Khan Muttaqi **Low quality a.k.a.:** na **Nationality:** Afghan **Passport no.:** na **National identification no.:** na **Address:** na **Listed on:** 25 Jan. 2001 (amended on 3 Sep. 2003, 21 Sep. 2007, 29 Nov. 2011) **Other information:** Member of the Taliban Supreme Council as at June 2007. Believed to be in Afghanistan/Pakistan border area. Belongs to Sulaimankhel tribe. Review pursuant to Security Council resolution 1822 (2008) was concluded on 21 Jul. 2010.

**TI.M.51.01. Name:** 1: ABDULHAI 2: MOTMAEN 3: na 4: na

**Name (original script):** عبدالحی مطمن

**Title:** Maulavi **Designation:** a) Director of the Information and Culture Department in Kandahar Province under the Taliban regime b) Spokesperson of the Taliban regime **DOB:** Approximately 1973 **POB:** a) Shinkalai village, Nad-e-Ali District, Helmand Province, Afghanistan b) Zabul Province, Afghanistan **Good quality a.k.a.:** Abdul Haq son of M. Anwar Khan (عبد الحق ولد محمد انور خان), Afghan passport number OA462456, issued on 31 Jan. 2012 (11-11-1390) by the Afghan Consulate General in Peshawar, Pakistan **Low quality a.k.a.:** na **Nationality:** Afghan **Passport no.:** Afghan passport number OA462456, issued on 31 Jan. 2012 under the name of Abdul Haq **National identification no.:** na **Address:** na **Listed on:** 23 Feb. 2001 (amended on 3 Sep. 2003, 21 Sep. 2007, 29 Nov. 2011, 31 Dec. 2013, 16 May 2014) **Other information:** Family is originally from Zabul, but settled later in Helmand. Member of the Taliban Supreme Council and spokesperson for Mullah Mohammed Omar (TI.O.4.01.) as of 2007. Believed to be in Afghanistan/Pakistan border area. Belongs to Kharoti tribe. Review pursuant to Security Council resolution 1822 (2008) was concluded on 23 Jul. 2010.

**TI.T.16.01. Name:** 1: ALLAH DAD 2: TAYEB 3: WALI 4: MUHAMMAD

**Name (original script):** الله داد طیب ولی محمد

**Title:** a) Mullah b) Haji **Designation:** Deputy Minister of Communication under the Taliban regime **DOB:** Approximately 1963 **POB:** a) Ghorak District, Kandahar Province, Afghanistan b) Nesh District, Uruzgan Province, Afghanistan **Good quality a.k.a.:** a) Allah Dad Tayyab b) Allah Dad Tabeeb **Low quality a.k.a.:** na **Nationality:** Afghan **Passport no.:** na **National identification no.:** na **Address:** na **Listed on:** 25 Jan. 2001 (amended on 3 Sep. 2003, 18 Jul. 2007, 21 Sep. 2007, 29 Nov. 2011, 18 May 2012) **Other information:** Belongs to Popalzai tribe. Review pursuant to Security Council resolution 1822 (2008) was concluded on 29 Jul. 2010.

**TI.H.73.01. Name:** 1: MOHAMMAD 2: MOSLIM 3: HAQQANI 4: MUHAMMADI GUL

**Name (original script):** محمد مسلم حقانی محمدی گل

**Title:** Maulavi **Designation:** a) Deputy Minister of Haj and Religious Affairs under the Taliban regime b) Deputy Minister of Higher Education under the Taliban regime **DOB:** 1965 **POB:** Gawargan village, Pul-e-Khumri District, Baghlan Province, Afghanistan **Good quality a.k.a.:** Moslim Haqqani **Low quality a.k.a.:** na **Nationality:** Afghan **Passport no.:** na **National identification no.:** Afghan national identification card (tazkira) number 1136 **Address:** na **Listed on:** 25 Jan. 2001 (amended on 3 Sep. 2003, 18 Jul. 2007, 21 Sep. 2007, 3 Oct. 2008, 29 Nov. 2011, 31 Dec. 2013) **Other information:** Ethnic Pashtun from Baghlan Province. Believed to be in Afghanistan/Pakistan border area. Speaks fluent English, Urdu and Arabic. Review pursuant to Security Council resolution 1822 (2008) was concluded on 29 Jul. 2010.

**TI.M.132.01. Name:** 1: NAJIBULLAH 2: MUHAMMAD JUMA 3: na 4: na

**Name (original script):** نجیب الله محمد جمعه

**Title:** Maulavi **Designation:** Consul General, Taliban Consulate General, Peshawar, Pakistan **DOB:** 1958 **POB:** Zere Kohi area, Shindand District, Farah Province, Afghanistan **Good quality a.k.a.:** na **Low quality a.k.a.:** Najib Ullah **Nationality:** Afghan **Passport no.:** Afghan passport number 000737, issued on 20 Oct. 1996 **National identification no.:** na **Address:** na **Listed on:** 25 Jan. 2001 (amended on 3 Sep. 2003, 25 Jul. 2006, 23 Apr. 2007, 21 Sep. 2007, 29 Nov. 2011) **Other information:** Member of Taliban Peshawar Military Council as at 2010. Believed to be in Afghanistan/Pakistan border area. Review pursuant to Security Council resolution 1822 (2008) was concluded on 21 Jul. 2010.

**TI.N.44.01. Name:** 1: HAMDULLAH 2: NOMANI 3: na 4: na

**Name (original script):** حمد الله نعمانی

**Title:** Maulavi **Designation:** a) Minister of Higher Education under the Taliban regime b) Mayor of Kabul City under the Taliban regime **DOB:** Approximately 1968 **POB:** Sipayaw village, Andar District, Ghazni Province, Afghanistan **Good quality a.k.a.:** na **Low quality a.k.a.:** na **Nationality:** Afghan **Passport no.:** na **National identification no.:** na **Address:** na **Listed on:** 23 Feb. 2001 (amended on 3 Sep. 2003, 21 Sep. 2007, 3 Oct. 2008, 29 Nov. 2011) **Other information:** Member of the Taliban Supreme Council. Believed to be in Afghanistan/Pakistan border area. Review pursuant to Security Council resolution 1822 (2008) was concluded on 23 Jul. 2010.

**TI.N.138.01. Name:** 1: MOHAMMAD 2: ALEEM 3: NOORANI 4: na

**Name (original script):** محمد علیم نورانی

**Title:** Mufti **Designation:** First Secretary, Taliban Consulate General, Karachi, Pakistan **DOB:** Approximately 1963 **POB:** Ghazni Province, Afghanistan **Good quality a.k.a.:** na **Low quality a.k.a.:** na **Nationality:** Afghan **Passport no.:** na **National identification no.:** na **Address:** na **Listed on:** 25 Jan. 2001 (amended on 3 Sep. 2003, 21 Sep. 2007, 29 Nov. 2011) **Other information:** Review pursuant to Security Council resolution 1822 (2008) was concluded on 29 Jul. 2010.

**TI.N.154.11. Name:** 1: MALIK 2: NOORZAI 3: na 4: na

**Name (original script):** مالک نورزی

**Title:** Haji **Designation:** na **DOB:** a) 1957 b) 1960 c) 1 Jan. 1963 **POB:** a) Chaman border town, Pakistan b) Pishin, Baluchistan Province, Pakistan **Good quality a.k.a.:** a) حاجی مالک نورزی (Hajji Malik Noorzai; Hajji Malak Noorzai; Haji Malek Noorzai) b) Allah Muhammad **Low quality a.k.a.:** a) Haji Maluk b) Haji Aminullah **Nationality:** Afghan **Passport no.:** Pakistani passport number FA0157612, issued on 23 Jul. 2009, expires on 22 Jul. 2014, officially cancelled as of 2013, issued under name Allah Muhammad **National identification no.:** Pakistani national identification number 54201-247561-5, officially cancelled as of 2013 **Address:** a) Boghra Road, Miralzei Village, Chaman, Baluchistan Province, Pakistan b) Kalay Rangin, Spin Boldak District, Kandahar province, Afghanistan **Listed on:** 4 Oct. 2011 (amended on 29 Nov. 2011, 1 Jun. 2012, 11 Feb. 2014) **Other information:** Taliban financier. Owns businesses in Japan and frequently travels to Dubai, United Arab Emirates, and Japan. As of 2009, facilitated Taliban activities, including through recruitment and the provision of logistical support. Believed to be in the Afghanistan/Pakistan border area. Belongs to Noorzai tribe. Brother of Faizullah Khan Noorzai (TI.M.153.11.). Father's name is Haji Akhtar Muhammad.

**TI.N.89.01. Name:** 1: NURULLAH 2: NURI 3: na 4: na

**Name (original script):** نور الله نوری

**Title:** Maulavi **Designation:** a) Governor of Balkh Province under the Taliban Regime b) Head of Northern Zone under the Taliban regime **DOB:** a) Approximately 1958 b) 1 Jan. 1967 **POB:** Shahjoe District, Zabul Province, Afghanistan **Good quality a.k.a.:** Norullah Noori **Low quality a.k.a.:** na **Nationality:** Afghan **Passport no.:** na **National identification no.:** na **Address:** Guantanamo Bay prison **Listed on:** 25 Jan. 2001 (amended on 3 Sep. 2003, 21 Sep. 2007, 29 Nov. 2011, 31 Dec. 2013) **Other information:** In custody of the United States of America as at mid-2013. Belongs to Tokhi tribe. Review pursuant to Security Council resolution 1822 (2008) was concluded on 29 Jul. 2010.

**TI.N.97.01. Name:** 1: ABDUL MANAN 2: NYAZI 3: na 4: na

**Name (original script):** عبدالمنان نیازی

**Title:** Mullah **Designation:** a) Governor of Kabul Province under the Taliban regime b) Governor of Balk Province under the Taliban regime **DOB:** Approximately 1968 **POB:** a) Pashtoon Zarghoon District, Herat Province, Afghanistan b) Sardar village, Kohsan District, Herat Province, Afghanistan **Good quality a.k.a.:** a) Abdul Manan Nayazi b) Abdul Manan Niazi **Low quality a.k.a.:** a) Baryaly b) Baryalai **Nationality:** Afghan **Passport no.:** na **National identification no.:** na **Address:** na **Listed on:** 25 Jan. 2001 (amended on 3 Sep. 2003, 18 Jul. 2007, 21 Sep. 2007, 12 Apr. 2010, 29 Nov. 2011, 13 Feb. 2012, 31 Dec. 2013) **Other information:** Taliban member responsible for Herat, Farah and Nimroz provinces as at mid-2013. Member of the Taliban Supreme Council and Quetta Shura. Believed to be in Afghanistan/Pakistan border area. Belongs to Achekzai tribe. Involved in transporting suicide bombers to Afghanistan. Review pursuant to Security Council resolution 1822 (2008) was concluded on 23 Jul. 2010.

**TI.N.166.13. Name:** 1: AHMED SHAH 2: NOORZAI 3: OBAIDULLAH 4: na

**Name (original script):** احمد شاه نورزی عبیدالله

**Title:** Mullah **Designation:** na **DOB:** a) 1 Jan. 1985 b) 1981 **POB:** Quetta, Pakistan **Good quality a.k.a.:** a) Mullah Ahmed Shah Noorzai b) Haji Ahmad Shah c) Haji Mullah Ahmad Shah d) Maulawi Ahmed Shah e) Mullah Mohammed Shah **Low quality a.k.a.:** na **Nationality:** na **Passport no.:** Pakistani passport number NC5140251, issued on 23 Oct. 2009 expires on 22 Oct. 2014, officially cancelled as of 2013 **National identification no.:** Pakistani national identity card number 54401-2288025-9, officially cancelled as of 2013 **Address:** Quetta, Pakistan **Listed on:** 26 Feb. 2013 (amended on 11 Feb. 2014) **Other information:** Owns and operates the Roshan Money Exchange (TE.R.11.12.). Provided financial services to Ghul Agha Ishakzai (TI.I.147.10.) and other Taliban in Helmand Province. Alternative title is Maulavi.

**TI.O.88.01. Name:** 1: ABDUL JABBAR 2: OMARI 3: na 4: na

**Name (original script):** عبدالجبار عمری

**Title:** Maulavi **Designation:** Governor of Baghlan Province under the Taliban regime **DOB:** Approximately 1958 **POB:** Zabul Province, Afghanistan **Good quality a.k.a.:** na **Low quality a.k.a.:** a) Mullah Jabbar b) Muawin Jabbar **Nationality:** Afghan **Passport no.:** na **National identification no.:** na **Address:** na **Listed on:** 23 Feb. 2001 (amended on 3 Sep. 2003, 21 Sep. 2007, 29 Nov. 2011, 22 Apr. 2013) **Other information:** Belongs to Hottak tribe. Review pursuant to Security Council resolution 1822 (2008) was concluded on 1 Jun. 2010.

**TI.O.42.01. Name:** 1: MOHAMMAD IBRAHIM 2: OMARI 3: na 4: na

**Name (original script):** محمد ابراهیم عمری

**Title:** Alhaj **Designation:** Deputy Minister of Frontier Affairs under the Taliban regime **DOB:** Approximately 1958 **POB:** Garda Saray, Waza Zadran District, Paktia Province, Afghanistan **Good quality a.k.a.:** Ibrahim Haqqani **Low quality a.k.a.:** na **Nationality:** Afghan **Passport no.:** na **National identification no.:** na **Address:** na **Listed on:** 23 Feb. 2001 (amended on 3 Sep. 2003, 21 Sep. 2007, 29 Jul. 2011, 29 Nov. 2011) **Other information:** Brother of Jalaluddin Haqqani (TI.A.40.01.) Believed to be in Afghanistan/Pakistan border area. Review pursuant to Security Council resolution 1822 (2008) was concluded on 29 Jul. 2010.

**TI.S.67.01. Name:** 1: SHER MOHAMMAD ABBAS 2: STANEKZAI 3: PADSHAH KHAN 4: na

**Name (original script):** شیر محمد عباس استانکزئی پادشاه خان

**Title:** Maulavi **Designation:** a) Deputy Minister of Public Health under the Taliban regime b) Deputy Minister of Foreign Affairs under the Taliban regime **DOB:** Approximately 1963 **POB:** Qala-e-Abbas, Shah Mazar area, Baraki Barak



District, Logar Province, Afghanistan **Good quality a.k.a.:** na **Low quality a.k.a.:** na **Nationality:** Afghan **Passport no.:** na **National identification no.:** na **Address:** na **Listed on:** 25 Jan. 2001 (amended on 3 Sep. 2003, 21 Sep. 2007, 29 Nov. 2011) **Other information:** Believed to be in Afghanistan/Pakistan border area. Review pursuant to Security Council resolution 1822 (2008) was concluded on 29 Jul. 2010.

**TI.T.58.01. Name:** 1: NOORUDDIN 2: TURABI 3: MUHAMMAD 4: QASIM

**Name (original script):** نورالدين ترابي محمد قاسم

**Title:** a) Mullah b) Maulavi **Designation:** Minister of Justice under the Taliban regime **DOB:** a) Approximately 1963 b) Approximately 1955 c) 1956 **POB:** a) Spin Boldak District, Kandahar Province, Afghanistan b) Chora District, Uruzgan Province, Afghanistan c) Dehrawood District, Uruzgan Province, Afghanistan **Good quality a.k.a.:** Noor ud Din Turabi **Low quality a.k.a.:** Haji Karim **Nationality:** Afghan **Passport no.:** na **National identification no.:** na **Address:** na **Listed on:** 25 Jan. 2001 (amended on 3 Sep. 2003, 21 Sep. 2007, 12 Apr. 2010, 29 Nov. 2011) **Other information:** Deputy to Mullah Mohammed Omar (TI.O.4.01). Review pursuant to Security Council resolution 1822 (2008) was concluded on 21 Jul. 2010.

**TI.A.107.01. Name:** 1: AMINULLAH 2: AMIN 3: QUDDUS 4: na

**Name (original script):** امين الله امين قدوس

**Title:** Maulavi **Designation:** Governor of Saripul Province under the Taliban regime **DOB:** Approximately 1973 **POB:** Loy Karez village, Spin Boldak District, Kandahar Province, Afghanistan **Good quality a.k.a.:** a) Muhammad Yusuf b) Aminullah Amin (previously listed as) **Low quality a.k.a.:** na **Nationality:** Afghan **Passport no.:** na **National identification no.:** na **Address:** na **Listed on:** 23 Feb. 2001 (amended on 3 Sep. 2003, 21 Sep. 2007, 29 Nov. 2011) **Other information:** Member of Taliban Supreme Council as at 2011. Belongs to Nurzai tribe. Review pursuant to Security Council resolution 1822 (2008) was concluded on 27 Jul. 2010.

**TI.H.27.01. Name:** 1: ABDUL SALAM 2: HANAFI 3: ALI MARDAN 4: QUL

**Name (original script):** عبدالسلام حنفي على مردان قل

**Title:** a) Mullah b) Maulavi **Designation:** Deputy Minister of Education under the Taliban regime **DOB:** Approximately 1968 **POB:** a) Darzab District, Faryab Province, Afghanistan b) Qush Tapa District, Jawzjan Province, Afghanistan **Good quality a.k.a.:** a) Abdussalam Hanifi b) Hanafi Saheb **Low quality a.k.a.:** na **Nationality:** Afghan **Passport no.:** na **National identification no.:** na **Address:** na **Listed on:** 23 Feb. 2001 (amended on 3 Sep. 2003, 18 Jul. 2007, 21 Sep. 2007, 27 Sep. 2007, 1 Feb. 2008, 29 Nov. 2011) **Other information:** Taliban member responsible for Jawzjan Province in Northern Afghanistan until 2008. Involved in drug trafficking. Believed to be in Afghanistan/Pakistan border area. Review pursuant to Security Council resolution 1822 (2008) was concluded on 1 Jun. 2010.

**TI.R.157.12. Name:** 1: FAZL 2: RABI 3: na 4: na

**Name (original script):** فضل ربيع

**Title:** na **Designation:** Senior official in Konar Province during the Taliban regime **DOB:** a) 1972 b) 1975 **POB:** a) Kohe Safi District, Parwan Province, Afghanistan b) Kapisa Province, Afghanistan c) Nangarhar Province, Afghanistan d) Kabul Province, Afghanistan **Good quality a.k.a.:** a) Fazl Rabbi b) Fazal Rabi c) Faisal Rabbi **Low quality a.k.a.:** na **Nationality:** Afghan **Passport no.:** na **National identification no.:** na **Address:** na **Listed on:** 6 Jan. 2012 (amended on 31 May 2013) **Other information:** Represents and provides financial and logistical support to the Haqqani Network (TE.H.12.12.), which is based in Afghanistan/Pakistan border area. Member of the Taliban Financial Council. Has travelled abroad to raise funds on behalf of Sirajuddin Jallaloudine Haqqani (TI.H.144.07.), Jalaluddin Haqqani (TI.H.40.01.), the Haqqani network and the Taliban. Believed to be in Afghanistan/Pakistan border area.

**TI.R.15.01. Name:** 1: YAR MOHAMMAD 2: RAHIMI 3: na 4: na

**Name (original script):** يار محمد رحيمي

**Title:** Mullah **Designation:** Minister of Communication under the Taliban regime **DOB:** Approximately 1953 **POB:** Taluqan village, Panjwai District, Kandahar Province, Afghanistan **Good quality a.k.a.:** na **Low quality a.k.a.:** na **Nationality:** Afghan **Passport no.:** na **National identification no.:** na **Address:** na **Listed on:** 25 Jan. 2001 (amended on 3 Sep. 2003, 21 Sep. 2007, 29 Nov. 2011) **Other information:** Member of Taliban Supreme Council as at 2009. Believed to be in Afghanistan/Pakistan border area. Belongs to Nurzai tribe. Review pursuant to Security Council resolution 1822 (2008) was concluded on 23 Jul. 2010.

**TI.R.96.01. Name:** 1: MOHAMMAD HASAN 2: RAHMANI 3: na 4: na

**Name (original script):** محمد حسن رحمانی

**Title:** Mullah **Designation:** Governor of Kandahar Province under the Taliban regime **DOB:** Approximately 1963 **POB:** a) Deh Rawud District, Uruzgan Province, Afghanistan b) Chora District, Uruzgan Province, Afghanistan c) Charchino District, Uruzgan Province, Afghanistan **Good quality a.k.a.:** Gud Mullah Mohammad Hassan **Low quality a.k.a.:** na **Nationality:** Afghan **Passport no.:** na **National identification no.:** na **Address:** na **Listed on:** 23 Feb. 2001 (amended on 3 Sep. 2003, 21 Sep. 2007, 29 Nov. 2011, 31 Dec. 2013) **Other information:** Has a prosthetic right leg. Member of Taliban Supreme Council as of mid-2013, acted as deputy of Mullah Mohammed Omar (TI.O.4.01.) in Mar. 2010. Believed to be in Afghanistan/Pakistan border area. Belongs to Achekzai tribe. Review pursuant to Security Council resolution 1822 (2008) was concluded on 23 Jul. 2010.

**TI.R.84.01. Name:** 1: HABIBULLAH 2: RESHAD 3: na 4: na

**Name (original script):** حبیب الله رشاد

**Title:** Mullah **Designation:** Head of Investigation Department, Ministry of Security (Intelligence) under the Taliban regime **DOB:** Between 1968 and 1973 **POB:** Waghaz District, Ghazni Province, Afghanistan **Good quality a.k.a.:** na **Low quality a.k.a.:** na **Nationality:** Afghan **Passport no.:** na **National identification no.:** na **Address:** na **Listed on:** 23 Feb. 2001 (amended on 3 Sep. 2003, 21 Sep. 2007, 29 Nov. 2011) **Other information:** Deputy Head (Intelligence) of the Quetta Military Council as of 2009. Believed to be in Afghanistan/Pakistan border area. Review pursuant to Security Council resolution 1822 (2008) was concluded on 23 Jul. 2010.

**TI.S.108.01. Name:** 1: ABDULHAI 2: SALEK 3: na 4: na

**Name (original script):** عبدالحی سالک

**Title:** Maulavi **Designation:** Governor of Uruzgan Province under the Taliban regime **DOB:** Approximately 1965 **POB:** Awlyatak Village, Gardan Masjid Area, Chaki Wardak District, Maidan Wardak Province, Afghanistan **Good quality a.k.a.:** na **Low quality a.k.a.:** na **Nationality:** Afghan **Passport no.:** na **National identification no.:** na **Address:** na **Listed on:** 23 Feb. 2001 (amended on 3 Sep. 2003, 21 Sep. 2007, 24 Mar. 2009, 29 Nov. 2011, 18 May 2012) **Other information:** Reportedly deceased in North Afghanistan in 1999. Belonged to Wardak tribe. Review pursuant to Security Council resolution 1822 (2008) was concluded on 27 Jul. 2010.

**TI.S.110.01. Name:** 1: NOOR MOHAMMAD 2: SAQIB 3: na 4: na

**Name (original script):** نور محمد ثاقب

**Title:** na **Designation:** Chief Justice of Supreme Court under the Taliban regime **DOB:** Approximately 1958 **POB:** a) Bagrami District, Kabul Province, Afghanistan b) Tarakhel area, Deh Sabz District, Kabul Province, Afghanistan **Good quality a.k.a.:** na **Low quality a.k.a.:** na **Nationality:** Afghan **Passport no.:** na **National identification no.:** na **Address:** na **Listed on:** 25 Jan. 2001 (amended on 3 Sep. 2003, 21 Sep. 2007, 29 Nov. 2011) **Other information:** Member of Taliban Supreme Council and Head of Taliban Religious Committee. Belongs to Ahmadzai tribe. Review pursuant to Security Council resolution 1822 (2008) was concluded on 23 Jul. 2010.

**TI.S.87.01. Name:** 1: SADUDDIN 2: SAYYED 3: na 4: na

**Name (original script):** سعد الدین سید

**Title:** a) Maulavi b) Alhaj c) Mullah **Designation:** a) Vice-Minister of Work and Social Affairs under the Taliban regime b) Mayor of Kabul City under the Taliban regime **DOB:** Approximately 1968 **POB:** a) Chaman District, Pakistan b) Spin Boldak District, Kandahar Province, Afghanistan **Good quality a.k.a.:** a) Sadudin Sayed b) Sadruddin **Low quality a.k.a.:** na **Nationality:** Afghan **Passport no.:** na **National identification no.:** na **Address:** na **Listed on:** 25 Jan. 2001 (amended on 3 Sep. 2003, 21 Sep. 2007, 3 Oct. 2008, 29 Nov. 2011, 31 Dec. 2013) **Other information:** Advisor to the Taliban Supreme Council as of mid-2013. Believed to be in Afghanistan/Pakistan border area. Belongs to Barakzai tribe. Review pursuant to Security Council resolution 1822 (2008) was concluded on 21 Jul. 2010.

**TI.S.133.01. Name:** 1: ABDUL WALI 2: SEDDIQI 3: na 4: na

**Name (original script):** عبدالولی صدیقی

**Title:** Qari **Designation:** Third Secretary, Taliban Consulate General, Peshawar, Pakistan **DOB:** 1974 **POB:** Zilzilay village, Andar District, Ghazni Province, Afghanistan **Good quality a.k.a.:** na **Low quality a.k.a.:** na **Nationality:** Afghan **Passport no.:** Afghan passport number D 000769 issued on 2 Feb. 1997 **National identification no.:**

na **Address:** na **Listed on:** 25 Jan. 2001 (amended on 3 Sep. 2003, 25 Jul. 2006, 21 Sep. 2007, 29 Nov. 2011) **Other information:** Believed to be in Afghanistan/Pakistan border area. Review pursuant to Security Council resolution 1822 (2008) was concluded on 29 Jul. 2010.

**TI.S.98.01. Name:** 1: ABDUL WAHED 2: SHAFIQ 3: na 4: na

**Name (original script):** عبد الواحد شفيق

**Title:** Maulavi **Designation:** Deputy Governor of Kabul Province under the Taliban regime **DOB:** Approximately 1968 **POB:** Nangarhar Province, Afghanistan **Good quality a.k.a.:** na **Low quality a.k.a.:** na **Nationality:** Afghan **Passport no.:** na **National identification no.:** na **Address:** na **Listed on:** 23 Feb. 2001 (amended on 3 Sep. 2003, 21 Sep. 2007, 3 Oct. 2008, 29 Nov. 2011) **Other information:** Review pursuant to Security Council resolution 1822 (2008) was concluded on 27 Jul. 2010.

**TI.S.28.01. Name:** 1: SAID AHMED 2: SHAHIDKHEL 3: na 4: na

**Name (original script):** سيد احمد شهيد خيل

**Title:** Maulavi **Designation:** Deputy Minister of Education under the Taliban regime **DOB:** Approximately 1975 **POB:** Spandeh (Espandi 'Olya) village, Andar District, Ghazni Province, Afghanistan **Good quality a.k.a.:** na **Low quality a.k.a.:** na **Nationality:** Afghan **Passport no.:** na **National identification no.:** na **Address:** na **Listed on:** 23 Feb. 2001 (amended on 3 Sep. 2003, 20 Dec. 2005, 21 Sep. 2007, 29 Nov. 2011, 31 Dec. 2013) **Other information:** In July 2003 he was in custody in Kabul, Afghanistan. Released from custody in 2007. Believed to be in Afghanistan/Pakistan border area. Member of the Taliban leadership council as of mid-2013. Belongs to Andar tribe. Review pursuant to Security Council resolution 1822 (2008) was concluded on 23 Jul. 2010.

**TI.M.11.01. Name:** 1: AKHTAR 2: MOHAMMAD 3: MANSOUR 4: SHAH MOHAMMED

**Name (original script):** اختر محمد منصور شاه محمد

**Title:** a) Maulavi b) Mullah **Designation:** Minister of Civil Aviation and Transportation under the Taliban regime **DOB:** a) Approximately 1960 b) 1966 **POB:** Band-e-Timur village, Maiwand District, Kandahar Province, Afghanistan **Good quality a.k.a.:** a) Akhtar Mohammad Mansour Khan Muhammad b) Akhtar Muhammad Mansoor c) Akhtar Mohammad Mansoor **Low quality a.k.a.:** Naib Imam **Nationality:** Afghan **Passport no.:** Afghan passport number SE-011697 issued on 25 Jan. 1988 in Kabul, expired on 23 Feb. 2000 **National identification no.:** na **Address:** na **Listed on:** 25 Jan. 2001 (amended on 3 Sep. 2003, 18 Jul. 2007, 21 Sep. 2007, 1 Feb. 2008, 29 Nov. 2011) **Other information:** Involved in drug trafficking as of 2011, primarily through Gerd-e-Jangal, Afghanistan. Active in the provinces of Khost, Paktia and Paktika, Afghanistan as of May 2007. Taliban "Governor" of Kandahar as of May 2007. Deputy to Mullah Abdul Ghani Baradar (TI.B.24.01.) in the Taliban Supreme Council as of 2009. Taliban official responsible for four southern provinces of Afghanistan. Following the arrest of Mullah Baradar in February 2010 he was temporarily-in-charge of the Taliban Supreme Council. Believed to be in Afghanistan/Pakistan border area. Belongs to Ishaqzai tribe. Review pursuant to Security Council resolution 1822 (2008) was concluded on 21 Jul. 2010.

**TI.S.103.01. Name:** 1: SHAMSUDDIN 2: na 3: na 4: na

**Name (original script):** شمس الدين

**Title:** a) Maulavi b) Qari **Designation:** Governor of Wardak (Maidan) Province under the Taliban regime **DOB:** Approximately 1968 **POB:** Keshim District, Badakhshan Province, Afghanistan **Good quality a.k.a.:** Pahlawan Shamsuddin **Low quality a.k.a.:** na **Nationality:** Afghan **Passport no.:** na **National identification no.:** na **Address:** na **Listed on:** 23 Feb. 2001 (amended on 3 Sep. 2003, 21 Sep. 2007, 29 Nov. 2011, 31 Dec. 2013) **Other information:** Believed to be in Afghanistan/Pakistan/Iran border area. Review pursuant to Security Council resolution 1822 (2008) was concluded on 23 Jul. 2010.

**TI.H.118.01. Name:** 1: HAMIDULLAH 2: AKHUND 3: SHER MOHAMMAD 4: na

**Name (original script):** حميد الله آخوند شير محمد

**Title:** Mullah **Designation:** Head of Ariana Afghan Airlines under the Taliban regime **DOB:** Between 1972 and 1973 **POB:** a) Sarpolad village, Washer District, Helmand Province, Afghanistan b) Arghandab District, Kandahar Province, Afghanistan **Good quality a.k.a.:** a) Janat Gul b) Hamidullah Akhund (previously listed as) **Low quality a.k.a.:** na **Nationality:** Afghan **Passport no.:** na **National identification no.:** na **Address:** Afghanistan **Listed on:** 25 Jan. 2001 (amended on 3 Sep. 2003, 9 Jul. 2007, 21 Sep. 2007, 29 Nov. 2011, 13 Aug. 2012) **Other information:** Belongs to Ghilzai tribe. Review pursuant to Security Council resolution 1822 (2008) was concluded on 21 Jul. 2010.

**TI.Z.152.11. Name:** 1: SANGEEN 2: ZADRAN 3: SHER MOHAMMAD 4: na

**Name (original script):** سنگین خدران شیر محمد

**Title:** a) Maulavi b) Mullah **Designation:** na **DOB:** a) Approximately 1976 b) Approximately 1979 **POB:** Tang Stor Khel, Ziruk District, Paktika Province, Afghanistan **Good quality a.k.a.:** na **Low quality a.k.a.:** a) Sangin b) Sangin Zadrان c) Sangeen Khan Zadrان d) Sangeen e) Fateh f) Noori **Nationality:** Afghan **Passport no.:** na **National identification no.:** na **Address:** na **Listed on:** 16 Aug. 2011 (amended on 13 Aug. 2012, 18 Oct. 2013) **Other information:** Taliban Shadow Governor for Paktika Province as of late 2012. Senior commander of the Haqqani Network (TE.H.12.12.). Senior lieutenant to Sirajuddin Jallaloudine Haqqani (TI.H.144.07.). Alternative spelling of title (a): Maulvi. Belongs to Kharoti tribe. Reportedly deceased September 2013.

**TI.S.139.01. Name:** 1: ABDUL GHAFAR 2: SHINWARI 3: na 4: na

**Name (original script):** عبدالغفار شینواری

**Title:** Haji **Designation:** Third Secretary, Taliban Consulate General, Karachi, Pakistan **DOB:** 29 Mar. 1965 **POB:** Nangarhar Province, Afghanistan **Good quality a.k.a.:** na **Low quality a.k.a.:** na **Nationality:** Afghan **Passport no.:** Afghan passport number D 000763, issued on 9 Jan. 1997 **National identification no.:** na **Address:** na **Listed on:** 25 Jan. 2001 (amended on 3 Sep. 2003, 25 Jul. 2006, 21 Sep. 2007, 29 Nov. 2011) **Other information:** Believed to be in Afghanistan/Pakistan border area. Belongs to Safi tribe. Review pursuant to Security Council resolution 1822 (2008) was concluded on 29 Jul. 2010.

**TI.S.111.01. Name:** 1: HAMDULLAH 2: SUNANI 3: na 4: na

**Name (original script):** حمد الله سنانی

**Title:** Maulavi **Designation:** Head of Dar-ul-Efta (Fatwa Department) of Supreme Court under the Taliban regime **DOB:** Approximately 1923 **POB:** Dai Chopan District, Zabul Province, Afghanistan **Good quality a.k.a.:** Sanani (previously listed as) **Low quality a.k.a.:** na **Nationality:** Afghan **Passport no.:** na **National identification no.:** na **Address:** na **Listed on:** 23 Feb. 2001 (amended on 3 Sep. 2003, 21 Sep. 2007, 29 Nov. 2011) **Other information:** Reportedly deceased in 2001. Belonged to Kakar tribe. Review pursuant to Security Council resolution 1822 (2008) was concluded on 27 Jul. 2010.

**TI.T.75.01. Name:** 1: ABDUL RAQIB 2: TAKHARI 3: na 4: na

**Name (original script):** عبدالرقيب تخاری

**Title:** Maulavi **Designation:** Minister of Repatriation under the Taliban regime **DOB:** Between 1968 and 1973 **POB:** Zardalu Darra village, Kalafgan District, Takhar Province, Afghanistan **Good quality a.k.a.:** na **Low quality a.k.a.:** na **Nationality:** Afghan **Passport no.:** na **National identification no.:** na **Address:** na **Listed on:** 25 Jan. 2001 (amended on 3 Sep. 2003, 21 Sep. 2007, 29 Nov. 2011, 31 Dec. 2013, 16 May 2014) **Other information:** Member of Taliban Supreme Council responsible for Takhar and Badakhshan provinces as at Dec. 2009. Confirmed killed on 17 February in Peshawar, Pakistan and buried in Takhar Province, Afghanistan. Review pursuant to Security Council resolution 1822 (2008) was concluded on 21 Jul. 2010.

**TI.T.168.14. Name:** 1: QARI 2: SAIFULLAH 3: TOKHI 4: na

**Name (original script):** قاري سيف الله توخی

**Title:** Qari **Designation:** na **DOB:** Approximately 1964 **POB:** Daraz Village, Jaldak wa Tarnak District, Zabul Province, Afghanistan **Good quality a.k.a.:** a) Qari Saifullah b) Qari Saifullah Al Tokhi c) Saifullah Tokhi **Low quality a.k.a.:** Qari Sahab **Nationality:** Afghan **Passport no.:** na **National identification no.:** na **Address:** Chalo Bawari area, Quetta City, Baluchistan Province, Pakistan **Listed on:** 19 Mar. 2014 (amended on 16 May 2014) **Other information:** Believed to be in Afghanistan/Pakistan border area. Taliban Shadow Deputy Governor and operational commander in Zabul Province, Afghanistan, responsible for the laying of improvised explosive devices and the organisation of suicide attacks. Physical description: height: 180 cm; weight: approximately 90 kg; build: athletic build; eye colour: brown; hair colour: red; complexion: medium brown. Distinguishing physical marks: large round face, full beard, and walks with a limp due to plastic prosthesis in place of his left lower leg. Ethnic background: Pashtun; Belongs to Tokhi tribe, Barkozai sub-tribe (alternative tribe spelling: Torchi), Barkozai (alternative tribe spelling: Bakorzai, باکورزی) sub-tribe, Kishta Barkorzai (lower Barkorzai) clan. Marital Status: married. Father's name: Agha Mohammad. Brother's name: Humdullah.

**TI.W.95.01. Name:** 1: WALIJAN 2: na 3: na 4: na

**Name (original script):** ولی جان

**Title:** Maulavi **Designation:** Governor of Jawzjan Province under the Taliban regime **DOB:** Approximately 1968 **POB:** a) Quetta, Pakistan b) Nimroz Province, Afghanistan **Good quality a.k.a.:** na **Low quality a.k.a.:** na **Nationality:** Afghan **Passport no.:** na **National identification no.:** na **Address:** na **Listed on:** 23 Feb. 2001 (amended on 3 Sep. 2003, 21 Sep. 2007, 29 Nov. 2011) **Other information:** Member of the Taliban Gerd-e-Jangal Shura and Head of the Taliban Prisoners and Refugees Committee. Belongs to Ishaqzai tribe. Review pursuant to Security Council resolution 1822 (2008) was concluded on 23 Jul. 2010.

**TI.A.34.01. Name:** 1: ABDUL JALIL 2: HAQQANI 3: WALI MOHAMMAD 4: na

**Name (original script):** عبد الجليل حقانی ولی محمد

**Title:** a) Maulavi b) Mullah **Designation:** Deputy Minister of Foreign Affairs under the Taliban regime **DOB:** Approximately 1963 **POB:** a) Khwaja Malik village, Arghandab District, Kandahar Province, Afghanistan b) Kandahar City, Kandahar Province, Afghanistan **Good quality a.k.a.:** a) Abdul Jalil Akhund b) Akhter Mohamad son of Noor Mohamad (اختر محمد ولد نور محمد), born in 1965 in Kandahar, Afghanistan passport number OR1961825 issued on 4 Feb. 2003 by the Afghan Consulate in Quetta, Pakistan, expired 2 Feb. 2006 c) Haji Gulab Gul son of Haji Hazrat Gul (حاجی گلاب گل ولد حاجی حضرت گل), born in 1955 in Logar, Afghanistan passport number TR024417 issued 20 Dec. 2003 by Central Passport Department in Kabul, Afghanistan, expired 29 Dec. 2006 d) Abdul Jalil Haqqani (previously listed as) **Low quality a.k.a.:** Nazar Jan **Nationality:** Afghan **Passport no.:** a) Afghan passport number OR1961825, issued on 4 Feb. 2003 expired 2 Feb. 2006 under the name of Akhter Mohamad b) Afghan passport number TR024417, issued on 20 Dec. 2003 expired 29 Dec. 2006 under the name of Haji Gulab Gul **National identification no.:** na **Address:** na **Listed on:** 25 Jan. 2001 (amended on 3 Sep. 2003, 18 Jul. 2007, 21 Sep. 2007, 27 Sep. 2007, 13 Feb. 2012, 11 Feb. 2013, 31 Dec. 2013, 16 May 2014) **Other information:** Believed to be in Afghanistan/Pakistan border area. Member of the Taliban Supreme Council as of May 2007. Member of the Financial Commission of the Taliban Council. Responsible for logistics for the Taliban and also active as a businessman in his personal capacity as at mid-2013. Belongs to Alizai tribe. Brother of Atiqullah Wali Mohammad (TI.A.70.01). Review pursuant to Security Council resolution 1822 (2008) was concluded on 21 Jul. 2010.

**TI.A.70.01. Name:** 1: ATIQUZZAH 2: WALI MOHAMMAD 3: na 4: na

**Name (original script):** عتیق الله ولی محمد

**Title:** a) Haji b) Mullah **Designation:** a) Director of Foreign Relations, Kandahar Province under the Taliban regime b) Director of Public Works, Kandahar Province under the Taliban regime c) First Deputy Minister of Agriculture under the Taliban regime d) Deputy Minister of Public Works under the Taliban regime **DOB:** Approximately 1962 **POB:** a) Tirin Kot District, Uruzgan Province, Afghanistan b) Khwaja Malik village, Arghandab District, Kandahar Province, Afghanistan **Good quality a.k.a.:** Atiqullah (previously listed as) **Low quality a.k.a.:** na **Nationality:** Afghan **Passport no.:** na **National identification no.:** na **Address:** na **Listed on:** 31 Jan. 2001 (amended on 3 Sep. 2003, 21 Sep. 2007, 29 Nov. 2011, 19 Oct. 2012, 11 Feb. 2013, 31 Dec. 2013) **Other information:** Originally from Uruzgan, settled and lived later in Kandahar. Was a member of Taliban Supreme Council Political Commission in 2010. No specific role in the Taliban movement, active as a businessman in his personal capacity as of mid-2013. Believed to be in Afghanistan/Pakistan border area. Belongs to Alizai tribe. Brother of Abdul Jalil Haqqani Wali Mohammad (TI.A.34.01). Review pursuant to Security Council resolution 1822 (2008) was concluded on 27 Jul. 2010.

**TI.A.129.01. Name:** 1: NAZIRULLAH 2: HANAFI 3: WALIUZZAH 4: na

**Name (original script):** نذیر الله حنفی ولی الله

**Title:** a) Maulavi b) Haji **Designation:** Commercial Attache, Taliban Embassy, Islamabad, Pakistan **DOB:** 1962 **POB:** Spin Boldak District, Kandahar Province, Afghanistan **Good quality a.k.a.:** Nazirullah Aanafi Waliullah **Low quality a.k.a.:** na **Nationality:** Afghan **Passport no.:** Afghan passport number D 000912, issued on 30 Jun. 1998 **National identification no.:** na **Address:** na **Listed on:** 25 Jan. 2001 (amended on 3 Sep. 2003, 25 Jul. 2006, 18 Jul. 2007, 21 Sep. 2007, 3 Oct. 2008, 29 Nov. 2011) **Other information:** Believed to be in Afghanistan/Pakistan border area. Review pursuant to Security Council resolution 1822 (2008) was concluded on 21 Jul. 2010.

**TI.W.82.01. Name:** 1: ABDUL-HAQ 2: WASSIQ 3: na 4: na

**Name (original script):** عبد الحق وثیق

**Title:** Maulavi **Designation:** Deputy Minister of Security (Intelligence) under the Taliban regime **DOB:** a) 1971 b) Approximately 1975 **POB:** Gharib village, Khogyani District, Ghazni Province, Afghanistan **Good quality a.k.a.:** a)

Abdul-Haq Wasseq b) Abdul Haq Wasiq **Low quality a.k.a.:** na **Nationality:** Afghan **Passport no.:** na **National identification no.:** na **Address:** Guantanamo Bay prison **Listed on:** 31 Jan. 2001 (amended on 3 Sep. 2003, 21 Sep. 2007, 3 Oct. 2008, 29 Nov. 2011, 31 Dec. 2013, 11 Feb. 2014) **Other information:** In custody of the United States of America as at 2011. Review pursuant to Security Council resolution 1822 (2008) was concluded on 27 Jul. 2010.

**TI.A.85.01. Name:** 1: AHMED JAN 2: AKHUNDZADA 3: WAZIR 4: na

**Name (original script):** احمد جان آخوندزاده وزير

**Title:** Maulavi **Designation:** Minister of Water and Electricity under the Taliban regime **DOB:** Between 1953 and 1958 **POB:** a) Kandahar Province, Afghanistan b) Tirin Kot District, Uruzgan Province, Afghanistan **Good quality a.k.a.:** a) Haji Ahmad Jan b) Ahmed Jan Akhund (previously listed as) **Low quality a.k.a.:** na **Nationality:** Afghan **Passport no.:** na **National identification no.:** na **Address:** na **Listed on:** 25 Jan. 2001 (amended on 3 Sep. 2003, 21 Sep. 2007, 29 Nov. 2011) **Other information:** Member of Taliban Supreme Military Council as at 2009. Believed to be in Afghanistan/Pakistan border area. Review pursuant to Security Council resolution 1822 (2008) was concluded on 21 Jul. 2010.

**TI.W.39.01. Name:** 1: MOHAMMAD JAWAD 2: WAZIRI 3: na 4: na

**Name (original script):** محمد جواد وزیري

**Title:** na **Designation:** UN Department, Ministry of Foreign Affairs under the Taliban regime **DOB:** Approximately 1960 **POB:** a) Jaghatu District, Maidan Wardak Province, Afghanistan b) Sharana District, Paktia Province, Afghanistan **Good quality a.k.a.:** na **Low quality a.k.a.:** na **Nationality:** Afghan **Passport no.:** na **National identification no.:** na **Address:** na **Listed on:** 23 Feb. 2001 (amended on 3 Sep. 2003, 21 Sep. 2007, 29 Nov. 2011, 18 May 2012) **Other information:** Believed to be in Afghanistan/Pakistan border area. Belongs to Wazir tribe. Review pursuant to Security Council resolution 1822 (2008) was concluded on 23 Jul. 2010.

**TI.A.22.01. Name:** 1: UBAIDULLAH 2: AKHUND 3: YAR MOHAMMAD AKHUND 4: na

**Name (original script):** عبيدالله آخوند يار محمد آخوند

**Title:** a) Mullah b) Hadji c) Maulavi **Designation:** Minister of Defence under the Taliban regime **DOB:** a) Approximately 1968 b) 1969 **POB:** a) Sangisar village, Panjwai District, Kandahar Province, Afghanistan b) Arghandab District, Kandahar Province, Afghanistan c) Nalgam area, Zheray District, Kandahar Province, Afghanistan **Good quality a.k.a.:** a) Obaidullah Akhund b) Obaid Ullah Akhund **Low quality a.k.a.:** na **Nationality:** Afghan **Passport no.:** na **National identification no.:** na **Address:** na **Listed on:** 25 Jan. 2001 (amended on 3 Sep. 2003, 18 Jul. 2007, 21 Sep. 2007, 29 Nov. 2011, 18 May 2012, 31 Dec. 2013) **Other information:** He was one of the deputies of Mullah Mohammed Omar (TI.0.4.01.) and a member of the Taliban's Supreme Council, in charge of military operations. Arrested in 2007 and was in custody in Pakistan. Confirmed deceased in March 2010 and buried in Karachi, Pakistan. Linked by marriage to Saleh Mohammad Kakar Akhtar Muhammad (TI.K.149.10). Belonged to Alokozai tribe. Review pursuant to Security Council resolution 1822 (2008) was concluded on 21 Jul. 2010.

**TI.Z.33.01. Name:** 1: ABDUL RAHMAN 2: ZAHED 3: na 4: na

**Name (original script):** عبدالرحمان زاهد

**Title:** Mullah **Designation:** Deputy Minister of Foreign Affairs under the Taliban regime **DOB:** Approximately 1963 **POB:** Kharwar District, Logar Province, Afghanistan **Good quality a.k.a.:** Abdul Rehman Zahid **Low quality a.k.a.:** na **Nationality:** Afghan **Passport no.:** na **National identification no.:** na **Address:** na **Listed on:** 25 Jan. 2001 (amended on 3 Sep. 2003, 18 Jul. 2007, 21 Sep. 2007, 29 Nov. 2011) **Other information:** Believed to be in Afghanistan/Pakistan border area. Review pursuant to Security Council resolution 1822 (2008) was concluded on 21 Jul. 2010.

**TI.Z.127.01. Name:** 1: MOHAMMAD 2: ZAHID 3: na 4: na

**Name (original script):** محمد زاهد

**Title:** Mullah **Designation:** Third Secretary, Taliban Embassy, Islamabad, Pakistan **DOB:** 1971 **POB:** Logar Province, Afghanistan **Good quality a.k.a.:** na **Low quality a.k.a.:** na **Nationality:** Afghan **Passport no.:** Afghan passport number D 001206, issued on 17 Jul. 2000 **National identification no.:** na **Address:** na **Listed on:** 25 Jan. 2001 (amended on 3 Sep. 2003, 25 Jul. 2006, 21 Sep. 2007, 29 Nov. 2011) **Other information:** Believed to be in Afghanistan/Pakistan border area. Review pursuant to Security Council resolution 1822 (2008) was concluded on 29 Jul. 2010.

**TI.Z.164.12 Name:** 1: ABDUL RAUF 2: ZAKIR 3: na 4: na

**Name (original script):** عبد الرؤف ذاکر

**Title:** Qari **Designation:** na **DOB:** Between 1969 and 1971 **POB:** Kabul Province, Afghanistan **Good quality a.k.a.:** Qari Zakir **Low quality a.k.a.:** na **Nationality:** Afghan **Passport no.:** na **National identification no.:** na **Address:** na **Listed on:** 5 Nov. 2012 (amended on 31 May 2013) **Other information:** Chief of suicide operations for the Haqqani Network (TE.H.12.12.) under Sirajuddin Jallaloudine Haqqani (TI.H.144.07.) and in charge of all operations in Kabul, Takhar, Kunduz and Baghlan provinces. Oversees training of suicide attackers and provides instructions on how to construct improvised explosives devices (IEDs).

**TI.M.153.11. Name:** 1: FAIZULLAH 2: KHAN 3: NOORZAI 4: na

**Name (original script):** فیض الله خان نورزی

**Title:** Haji **Designation:** na **DOB:** a) 1966 b) 1961 c) Between 1968 and 1970 d) 1962 **POB:** a) Lowy Kariz, Spin Boldak District, Kandahar Province, Afghanistan b) Kadanay, Spin Boldak District, Kandahar Province, Afghanistan c) Chaman, Baluchistan Province, Pakistan **Good quality a.k.a.:** a) Haji Faizullah Noor b) Faizullah Noorzai Akhtar Mohammed Mira Khan, (previously listed as) c) حاجی فیض الله خان نورزی, (Hajji Faizullah Khan Noorzai; Haji Faizuulah Khan Norezal; Haji Faizullah Khan; Haji Fiazullah) d) Haji Faizullah Noori **Low quality a.k.a.:** a) Haji Pazullah Noorzai b) Haji Mullah Faizullah **Nationality:** Afghan **Passport no.:** na **National identification no.:** na **Address:** a) Boghra Road, Miralzei Village, Chaman, Baluchistan Province, Pakistan b) Kalay Rangin, Spin Boldak District, Kandahar Province, Afghanistan **Listed on:** 4 Oct. 2011 (amended on 29 Nov. 2011, 1 Jun. 2012) **Other information:** Prominent Taliban financier. As of mid-2009, supplied weapons, ammunition, explosives and medical equipment to Taliban fighters; and raised funds for the Taliban, and provided training to them, in the Afghanistan/Pakistan border region. Has previously organized and funded Taliban operations in Kandahar Province, Afghanistan. As of 2010, travelled to and owned businesses in Dubai, United Arab Emirates, and Japan. Belongs to Noorzai tribe, Miralzai sub-tribe. Brother of Malik Noorzai (TI.N.154.11.). Father's name is Akhtar Mohammed (a.k.a.: Haji Mira Khan).

## B. Entities and other groups and undertakings associated with the Taliban

**TE.H.10.12. Name:** HAJI KHAIRULLAH HAJI SATTAR MONEY EXCHANGE

**Name (original script):** حاجی خیرالله و حاجی ستار صرافی

**A.k.a.:** a) Haji Khairullah-Haji Sattar Sarafi b) Haji Khairullah and Abdul Sattar and Company c) Haji Khairullah Money Exchange d) Haji Khair Ullah Money Service e) Haji Salam Hawala f) Haji Hakim Hawala g) Haji Alim Hawala h) Sarafi-yi Haji Khairullah Haji Sattar Haji Esmatullah **F.k.a.:** na **Address:** a) Branch Office 1: i) Chohar Mir Road, Kandahari Bazaar, Quetta City, Baluchistan Province, Pakistan; ii) Room number 1, Abdul Sattar Plaza, Hafiz Saleem Street, Munsafi Road, Quetta, Baluchistan Province, Pakistan iii) Shop number 3, Dr. Bano Road, Quetta, Baluchistan Province, Pakistan iv) Office number 3, Near Fatima Jinnah Road, Dr. Bano Road, Quetta, Baluchistan Province, Pakistan v) Kachara Road, Nasrullah Khan Chowk, Quetta, Baluchistan Province, Pakistan vi) Wazir Mohammad Road, Quetta, Baluchistan Province, Pakistan; b) Branch Office 2: Peshawar, Khyber Paktunkhwa Province, Pakistan; c) Branch Office 3: Moishah Chowk Road, Lahore, Punjab Province, Pakistan; d) Branch Office 4: Karachi, Sindh Province, Pakistan; e) Branch Office 5: i) Larran Road number 2, Chaman, Baluchistan Province, Pakistan ii) Chaman Central Bazaar, Chaman, Baluchistan Province, Pakistan f) Branch Office 6: Shop number 237, Shah Zada Market (also known as Sarai Shahzada), Puli Khishti area, Police District 1, Kabul, Afghanistan, Telephone: +93-202-103386, +93-202-101714, 0202-104748, Mobile: +93-797-059059, +93-702-222222, e-mail: helmand\_exchange\_msp@yahoo.com g) Branch Office 7: i) Shops number 21 and 22, 2nd Floor, Kandahar City Sarafi Market, Kandahar City, Kandahar Province, Afghanistan ii) New Sarafi Market, 2nd Floor, Kandahar City, Kandahar Province, Afghanistan iii) Safi Market, Kandahar City, Kandahar Province, Afghanistan h) Branch Office 8: Gereshk City, Nahr-e Saraj District, Helmand Province, Afghanistan i) Branch Office 9: i) Lashkar Gah Bazaar, Lashkar Gah, Lashkar Gah District, Helmand Province, Afghanistan ii) Haji Ghulam Nabi Market, 2nd Floor, Lashkar Gah District, Helmand Province, Afghanistan j) Branch Office 10: i) Suite numbers 196-197, 3rd Floor, Khorasan Market, Herat City, Herat Province, Afghanistan ii) Khorasan Market, Shahre Naw, District 5, Herat City, Herat Province, Afghanistan k) Branch Office 11: i) Sarafi Market, Zaranj District, Nimroz Province, Afghanistan ii) Ansari Market, 2nd Floor, Nimroz Province, Afghanistan l) Branch Office 12: Sarafi Market, Wesh, Spin Boldak District, Afghanistan m) Branch Office 13: Sarafi Market, Farah, Afghanistan n) Branch Office 14: Dubai, United Arab Emirates o) Branch Office 15: Zahedan, Iran p) Branch Office 16: Zabol, Iran **Listed on:** 29 Jun. 2012 (amended on 13 Aug. 2012, 25 Oct. 2012) **Other information:** Pakistan National Tax Number: 1774308; Pakistan National Tax Number: 0980338; Pakistan National Tax Number: 3187777; Afghan Money Service Provider License Number: 044. Haji Khairullah Haji Sattar Money Exchange was used by Taliban leadership to

transfer money to Taliban commanders to fund fighters and operations in Afghanistan as of 2011. Associated with Abdul Sattar Abdul Manan (TI.A.162.12.) and Khairullah Barakzai Khudai Nazar (TI.K.163.12.).

**TE.H.12.12. Name: HAQQANI NETWORK (HQN)**

**Name (original script):** شبکه حقانی

**A.k.a.:** na **F.k.a.:** na **Address:** na **Listed on:** 5 Nov. 2012 **Other information:** Network of Taliban fighters centered around the border between Khost Province, Afghanistan and North Waziristan, Pakistan. Founded by Jalaluddin Haqqani (TI.H.40.01.) and currently headed by his son Sirajuddin Jallaloudine Haqqani (TI.H.144.07.). Other listed members include Nasiruddin Haqqani (TI.H.146.10.), Sangeen Zadran Sher Mohammad (TI.Z.152.11.), Abdul Aziz Abbasin (TI.A.155.11.), Fazl Rabi (TI.R.157.12.), Ahmed Jan Wazir (TI.W.159.12.), Bakht Gul (TI.G.161.12.), Abdul Rauf Zakir (TI.Z.164.12.). Responsible for suicide attacks and targeted assassination as well as kidnappings in Kabul and other provinces of Afghanistan. Linked to Al-Qaida (QE.A.4.01.), Islamic Movement of Uzbekistan (QE.I.10.01.), Tehrik-e Taliban Pakistan (QE.T.132.11.), Lashkar I Jhangvi (QE.L.96.03.), and Jaish-IMohammed (QE.J.19.01.).

**TE.R.13.12. Name: RAHAT LTD.**

**Name (original script):** راحت لمٹد

**A.k.a.:** a) Rahat Trading Company b) Haji Muhammad Qasim Sarafi c) New Chagai Trading d) Musa Kalim Hawala **F.k.a.:** na **Address:** a) Branch Office 1: Room number 33, 5th Floor, Sarafi Market, Kandahar city, Kandahar Province, Afghanistan b) Branch Office 2: Shop number 4, Azizi Bank, Haji Muhammad Isa Market, Wesh, Spin Boldak, Kandahar Province, Afghanistan c) Branch Office 3: Safaar Bazaar, Garmser District, Helmand Province, Afghanistan d) Branch Office 4: Lashkar Gah, Helmand Province, Afghanistan e) Branch Office 5: Gereshk District, Helmand Province, Afghanistan f) Branch Office 6: Zaranj District, Nimroz Province, Afghanistan g) Branch Office 7: i) Dr Barno Road, Quetta, Pakistan ii) Haji Mohammed Plaza, Tol Aram Road, near Jamaluddin Afghani Road, Quetta, Pakistan iii) Kandahari Bazaar, Quetta, Pakistan h) Branch Office 8: Chaman, Baluchistan Province, Pakistan i) Branch Office 9: Chaghi Bazaar, Chaghi, Baluchistan Province, Pakistan j) Branch Office 10: Zahedan, Zabol Province, Iran **Listed on:** 21 Nov. 2012 (amended on 27 Jun. 2013) **Other information:** Rahat Ltd. was used by Taliban leadership to transfer funds originating from external donors and narcotics trafficking to finance Taliban activity as of 2011 and 2012. Owned by Mohammed Qasim Mir Wali Khudai Rahim (TI.Q.165.12.). Also associated Mohammad Naim Barich Khudaidad (TI.N.13.01.).

**TE.R.11.12. Name: ROSHAN MONEY EXCHANGE**

**Name (original script):** صرافی روشن

**A.k.a.:** a) Roshan Sarafi b) Roshan Trading Company c) Rushaan Trading Company d) Roshan Shirkat e) Maulawi Ahmed Shah Hawala f) Mullah Ahmed Shah Hawala g) Haji Ahmad Shah Hawala h) Ahmad Shah Hawala **F.k.a.:** na **Address:** a) Branch Office 1: i) Shop number 1584, Furqan (variant Fahr Khan) Center, Chalhor Mal Road, Quetta, Baluchistan Province, Pakistan ii) Flat number 4, Furqan Center, Jamaluddin Afghani Road, Quetta, Baluchistan Province, Pakistan iii) Office number 4, 2nd Floor, Muslim Plaza Building, Doctor Banu Road, Quetta, Baluchistan Province, Pakistan iv) Cholmon Road, Quetta, Baluchistan Province, Pakistan v) Munsafi Road, Quetta, Baluchistan Province, Pakistan vi) Shop number 1, 1st Floor, Kadari Place, Abdul Samad Khan Street (next to Fatima Jena Road), Quetta, Baluchistan Province, Pakistan b) Branch Office 2: i) Safar Bazaar, Garmser District, Helmand Province, Afghanistan ii) Main Bazaar, Safar, Helmand Province, Afghanistan c) Branch Office 3: i) Haji Ghulam Nabi Market, Lashkar Gah, Helmand Province, Afghanistan ii) Money Exchange Market, Lashkar Gah, Helmand Province, Afghanistan iii) Lashkar Gah Bazaar, Helmand Province, Afghanistan d) Branch Office 4: Hazar Jof, Garmser District, Helmand Province, Afghanistan e) Branch Office 5: Ismat Bazaar, Marjah District, Helmand Province, Afghanistan f) Branch Office 6: Zaranj, Nimruz Province, Afghanistan g) Branch Office 7: i) Suite number 8, 4th Floor, Sarafi Market, District number 1, Kandahar City, Kandahar Province, Afghanistan ii) Shop number 25, 5th Floor, Sarafi Market, Kandahar City, Kandahar District, Kandahar Province, Afghanistan h) Branch Office 8: Lakri City, Helmand Province, Afghanistan i) Branch Office 9: Gerd-e-Jangal, Chaghi District, Baluchistan Province, Pakistan j) Branch Office 10: Chaghi, Chaghi District, Baluchistan Province, Pakistan k) Branch Office 11: Aziz Market, in front of Azizi Bank, Waish Border, Spin Boldak District, Kandahar Province, Afghanistan **Listed on:** 29 Jun. 2012 (amended on 25 Oct. 2012) **Other information:** Roshan Money Exchange stores and transfers funds to support Taliban military operations and narcotics trade in Afghanistan. Owned by Ahmed Shah Noorzai Obaidullah (TI.N.166.13.).



## Lista das pessoas singulares e entidades estabelecida nos termos da Resolução n.º 1988 (2011) do Conselho de Segurança

Última actualização: 16 de Maio de 2014

### Composição da Lista

A lista é constituída pelas duas secções a seguir indicadas:

**A. Pessoas singulares** associadas aos **Talibã**

**B. Entidades** e outros grupos e empresas associados aos **Talibã**

#### A. Pessoas singulares associadas aos Talibã

**TI.A.155.11. Nome:** 1: ABDUL AZIZ 2: ABBASIN 3: — 4: —

**Nome (grafia original):** [*vide* versão original em língua inglesa]

**Título:** — **Cargo:** — **Data de nascimento:** 1969 **Local de nascimento:** aldeia de Sheykhan, zona de Pirkowti, distrito de Orgun, província de Paktika, Afeganistão  
**Também conhecido por, suficiente para identificação:** Abdul Aziz Mahsud  
**Insuficiente para identificação:** — **Nacionalidade:** — **Passaporte n.º:** — **N.º de identificação nacional:** — **Endereço:** — **Data de inserção na lista:** 4/10/2011 (alterada em 22/4/2013) **Outras informações:** Comandante chave da Rede Haqqani (TE.H.12.12.) sob o comando de Sirajuddin Jallaloudine Haqqani (TI.H.144.07.). Governador sombra dos Talibã para o distrito de Orgun, província de Paktika, a partir de princípios de 2010. Dirigiu um campo de treino para combatentes não afegãos na província de Paktika. Envolvido no transporte de armas para o Afeganistão.

**TI.A.121.01. Nome:** 1: AZIZIRAHMAN 2: ABDUL AHAD 3: — 4: —

**Nome (grafia original):** [*vide* versão original em língua inglesa]

**Título:** Mr **Cargo:** Terceiro Secretário, Embaixada Talibã, Abu Dabi, Emirados Árabes Unidos **Data de nascimento:** 1972 **Local de nascimento:** distrito de Shega, província de Kandahar, Afeganistão **Também conhecido por, suficiente**

**para identificação: — Insuficiente para identificação: — Nacionalidade:** afegã  
**Passaporte n.º: — N.º de identificação nacional:** cartão de identificação afegão (tazkira) n.º 44323 **Endereço: — Data de inserção na lista:** 25/1/2001 (alterada em 3/9/2003, 21/9/2007, 29/11/2011) **Outras informações:** Pertence à tribo Hotak. Revisão nos termos da Resolução n.º 1822 (2008) do Conselho de Segurança concluída em 29/7/2010.

**TI.B.24.01. Nome:** 1: ABDUL GHANI 2: BARADAR 3: ABDUL AHMAD TURK 4: —

**Nome (grafia original):** [*vide* versão original em língua inglesa]

**Título:** Mullah **Cargo:** Ministro-adjunto da Defesa durante o regime talibã **Data de nascimento:** aproximadamente 1968 **Local de nascimento:** aldeia de Yatimak, distrito de Dehrawood, província de Uruzgan, Afeganistão **Também conhecido por, suficiente para identificação:** a) Mullah Baradar Akhund b) Abdul Ghani Baradar, (como inserido anteriormente na lista) **Insuficiente para identificação: — Nacionalidade:** afegã **Passaporte n.º: — N.º de identificação nacional: — Endereço: — Data de inserção na lista:** 23/2/2001 (alterada em 3/9/2003, 18/7/2007, 21/9/2007, 13/2/2012) **Outras informações:** Detido em Fevereiro de 2010 e sob custódia no Paquistão. Pedido de extradição para o Afeganistão pendente no Tribunal de Última Instância de Lahore, Paquistão, desde Junho de 2011. Pertence à tribo Popalzai. Alto comandante militar talibã e membro do Conselho dos Talibã de Quetta desde Maio de 2007. Revisão nos termos da Resolução n.º 1822 (2008) do Conselho de Segurança concluída em 1/6/2010.

**TI.A.128.01. Nome:** 1: ABDUL QADEER 2: BASIR 3: ABDUL BASEER 4: —

**Nome (grafia original):** [*vide* versão original em língua inglesa]

**Título:** a) General b) Maulavi **Cargo:** Adido Militar, Embaixada Talibã, Islamabad, Paquistão **Data de nascimento:** 1964 **Local de nascimento:** a) distrito de Surkh Rod, província de Nangarhar, Afeganistão b) distrito de Hisarak, província de Nangarhar, Afeganistão **Também conhecido por, suficiente para identificação:** a) Abdul Qadir b) Ahmad Haji c) Abdul Qadir Haqqani d) Abdul Qadir Basir **Insuficiente para identificação: — Nacionalidade:** afegã **Passaporte n.º:** passaporte afegão n.º D 000974 **N.º de identificação nacional: — Endereço: — Data de inserção na lista:** 25/1/2001 (alterada em 3/9/2003, 25/7/2006, 23/4/2007,

18/7/2007, 21/9/2007, 29/11/2011, 13/8/2012) **Outras informações:** Consultor financeiro do Conselho Militar de Peshawar dos Talibã e Chefe da Comissão Financeira de Peshawar dos Talibã. Pensa-se que se encontra na zona da fronteira Afeganistão/Paquistão. Revisão nos termos da Resolução n.º 1822 (2008) do Conselho de Segurança concluída em 21/7/2010.

**TI.M.100.01. Nome:** 1: NAZIR MOHAMMAD 2: ABDUL BASIR 3: — 4: —

**Nome (grafia original):** [*vide* versão original em língua inglesa]

**Título:** Maulavi **Cargo:** a) Presidente da Câmara da cidade de Kunduz b) Governador interino da província de Kunduz durante o regime talibã **Data de nascimento:** 1954 **Local de nascimento:** aldeia de Malaghi, distrito de Kunduz, província de Kunduz, Afeganistão **Também conhecido por, suficiente para identificação:** Nazar Mohammad (como inserido anteriormente na lista) **Insuficiente para identificação:** — **Nacionalidade:** afegã **Passaporte n.º:** — **N.º de identificação nacional:** — **Endereço:** — **Data de inserção na lista:** 23/2/2001 (alterada em 3/9/2003, 21/9/2007, 18/5/2012, 31/12/2013) **Outras informações:** título alternativo: Sar Muallim. Reconciliado após a queda do regime talibã, tendo assumido funções no novo Governo a nível distrital na província de Kunduz. Confirma-se ter sido assassinado pelos Talibã em 9/11/2008. Revisão nos termos da Resolução n.º 1822 (2008) do Conselho de Segurança concluída em 27/7/2010.

**TI.Q.130.01. Nome:** 1: ABDUL GHAFAR 2: QURISHI 3: ABDUL GHANI 4: —

**Nome (grafia original):** [*vide* versão original em língua inglesa]

**Título:** Maulavi **Cargo:** Adido para o Repatriamento, Embaixada Talibã, Islamabad, Paquistão **Data de nascimento:** a) 1970 b) 1967 **Local de nascimento:** aldeia de Turshut, distrito de Wursaj, província de Takhar, Afeganistão **Também conhecido por, suficiente para identificação:** Abdul Ghaffar Qureshi **Insuficiente para identificação:** — **Nacionalidade:** afegã **Passaporte n.º:** passaporte afegão n.º D 000933 emitido em Cabul em 13/9/1998 **N.º de identificação nacional:** cartão de identificação afegão (tazkira) n.º 55130 **Endereço:** Khairkhana Section Number 3, Cabul, Afeganistão **Data de inserção na lista:** 25/1/2001 (alterada em 3/9/2003, 18/7/2007, 21/9/2007, 29/11/2011, 31/12/2013) **Outras informações:** Envolvimento no tráfico de droga. Pertence à

etnia Tajik. Revisão nos termos da Resolução n.º 1822 (2008) do Conselho de Segurança concluída em 29/7/2010.

**TI.A.145.10. Nome:** 1: AMIR 2: ABDULLAH 3: — 4: —

**Nome (grafia original):** [vide versão original em língua inglesa]

**Título:** — **Cargo:** Antigo Governador-adjunto dos Talibã na província de Kandahar

**Data de nascimento:** aproximadamente 1972 **Local de nascimento:** província de Paktika, Afeganistão **Também conhecido por, suficiente para identificação:** —

**Insuficiente para identificação:** Amir Abdullah Sahib **Nacionalidade:** afegã

**Passaporte n.º:** — **N.º de identificação nacional:** — **Endereço:** Carachi, Paquistão **Data de inserção na lista:** 20/7/2010 (alterada em 29/11/2011) **Outras**

**informações:** Viajou para o Kuwait, Arábia Saudita, Jamahiriya Árabe Líbia e Emirados Árabes Unidos a fim de angariar fundos para os Talibã. Tesoureiro de Abdul Ghani Baradar Abdul Ahmad Turk (TI.B.24.01). Pensa-se que se encontra na zona da fronteira Afeganistão/Paquistão.

**TI.A.162.12. Nome:** 1: ABDUL SATAR 2: ABDUL MANAN 3: — 4: —

**Nome (grafia original):** [vide versão original em língua inglesa]

**Título:** Haji **Cargo:** — **Data de nascimento:** 1964 **Local de nascimento:** a) aldeia de Mirmandaw, distrito de Nahr-e Saraj, província de Helmand, Afeganistão b)

aldeia de Mirmadaw, distrito de Gereshk, província de Helmand, Afeganistão c) Qilla Abdullah, província de Baluchistan, Paquistão **Suficiente para identificação:** a)

Haji Abdul Sattar Barakzai b) Haji Abdul Satar c) Haji Satar Barakzai d) Abdulasattar **Insuficiente para identificação:** — **Nacionalidade:** — **Passaporte**

**n.º:** passaporte paquistanês n.º AM5421691, a caducar em 11/8/2013 **N.º de identificação nacional:** a) identificação nacional paquistanesa n.º 5420250161699 b)

identificação nacional afegã n.º 585629 **Endereço:** a) Kachray Road, Pashtunabad, Quetta, província de Baluchistan, Paquistão b) Nasrullah Khan Chowk, zona de Pashtunabad, província de Baluchistan, Paquistão c) Chaman, província de Baluchistan, Paquistão d) Abdul Satar Food Shop, Ayno Mina 0093, província de Kandahar, Afeganistão **Data de inserção na lista:** 29/6/2012 **Outras informações:**

Co-proprietário do Haji Khairullah Haji Sattar Money Exchange (TE.H.1.12.) e também associado a Khairullah Barakzai (TI.K.163.12.). Pertence à tribo Barakzai.

Filiação paterna: Hajji ‘Abd-al-Manaf.

**TI.H.142.01. Nome:** 1: ABDUL HAI 2: HAZEM 3: ABDUL QADER 4: —

**Nome (grafia original):** [vide versão original em língua inglesa]

**Título:** a) Maulavi b) Mullah **Cargo:** Primeiro Secretário, Consulado-geral Talibã, Quetta, Paquistão **Data de nascimento:** 1971 **Local de nascimento:** aldeia de Pashawal Yargatoo, distrito de Andar, província de Ghazni, Afeganistão **Também conhecido por, suficiente para identificação:** Abdul Hai Hazem (como inserido anteriormente na lista) **Insuficiente para identificação:** — **Nacionalidade:** afegã **Passaporte n.º:** passaporte afegão n.º D 0001203 **N.º de identificação nacional:** — **Endereço:** a) aldeia de Iltifat, distrito de Shakardara, província de Cabul, Afeganistão b) Puli Charkhi Area, District Number 9, cidade de Cabul, província de Cabul **Data de inserção na lista:** 25/1/2001 (alterada em 3/9/2003, 25/7/2006, 21/9/2007, 29/11/2011, 18/5/2012) **Outras informações:** Revisão nos termos da Resolução n.º 1822 (2008) do Conselho de Segurança concluída em 29/7/2010.

**TI.T.105.01. Nome:** 1: AHMAD TAHA 2: KHALID 3: ABDUL QADIR 4: —

**Nome (grafia original):** [vide versão original em língua inglesa]

**Título:** Maulavi **Cargo:** Governador da província de Paktia durante o regime talibã **Data de nascimento:** aproximadamente 1963 **Local de nascimento:** a) província de Nangarhar, Afeganistão b) província de Khost, Afeganistão c) aldeia de Siddiq Khel, distrito de Naka, província de Paktia, Afeganistão **Também conhecido por, suficiente para identificação:** — **Insuficiente para identificação:** — **Nacionalidade:** afegã **Passaporte n.º:** — **N.º de identificação nacional:** — **Endereço:** — **Data de inserção na lista:** 23/2/2001 (alterada em 3/9/2003, 21/9/2007, 3/10/2008, 29/11/2011, 13/8/2012) **Outras informações:** Membro dos Talibã responsável pela província de Nangarhar em 2011. Pensa-se que se encontra na zona da fronteira Afeganistão/Paquistão. Pertence à tribo Zadran. Colaborador próximo de Sirajuddin Jallaloudine Haqqani (TI.H.144.07). Revisão nos termos da Resolução n.º 1822 (2008) do Conselho de Segurança concluída em 1/6/2010.

**TL.A.80.01. Nome:** 1: SAYED ESMATULLAH 2: ASEM 3: ABDUL QUDDUS 4: —

**Nome (grafia original):** [vide versão original em língua inglesa]

**Título:** Maulavi **Cargo:** a) Ministro-adjunto da Prevenção do Vício e da Propagação da Virtude durante o regime talibã b) Secretário-geral da Sociedade do Crescente

Vermelho (ARCS) durante o regime talibã **Data de nascimento:** aproximadamente 1967 **Local de nascimento:** Qalayi Shaikh, distrito de Chaparhar, província de Nangarhar, Afeganistão **Também conhecido por, suficiente para identificação:** a) Esmatullah Asem b) Asmatullah Asem c) Sayed Esmatullah Asem (como inserido anteriormente na lista) **insuficiente para identificação:** — **Nacionalidade:** afegã **Passaporte n.º:** — **N.º de identificação nacional:** — **Endereço:** — **Data de inserção na lista:** 23/2/2001 (alterada em 3/9/2003, 18/7/2007, 21/9/2007, 27/9/2007, 29/11/2011, 13/8/2012) **Outras informações:** Membro do Conselho Supremo dos Talibã desde Maio de 2007. Pensa-se que se encontra na zona da fronteira Afeganistão/Paquistão. Membro dos Talibã Peshawar Shura. Responsável pela actividade afegã dos Talibã nas Zonas Tribais Federalmente Administradas, Paquistão, em 2008. Um dos principais especialistas em engenhos explosivos improvisados (IED) e em ataques suicidas a partir de 2012. Revisão nos termos da Resolução n.º 1822 (2008) do Conselho de Segurança concluída em 1/6/2010.

**TI.U.8.01. Nome:** 1: SHAMS 2: UR-RAHMAN 3: ABDUL ZAHIR 4: —

**Nome (grafia original):** [*vide* versão original em língua inglesa]

**Título:** a) Mullah b) Maulavi **Cargo:** Ministro-adjunto da Agricultura durante o regime talibã **Data de nascimento:** 1969 **Local de nascimento:** aldeia de Waka Uzbini, distrito de Sarobi, província de Cabul, Afeganistão **Também conhecido por, suficiente para identificação:** a) Shamsurrahman b) Shams-u-Rahman c) Shamsurrahman Abdurahman **Insuficiente para identificação:** Shams ur-Rahman Sher Alam **Nacionalidade:** afegã **Passaporte n.º:** — **N.º de identificação nacional:** a) cartão afegão de identificação (tazkira) n.º 2132370 b) cartão afegão de identificação (tazkira) n.º 812673 **Endereço:** — **Data de inserção na lista:** 23/2/2001 (alterada em 3/9/2003, 21/9/2007, 12/4/2010, 29/11/2011, 18/5/2012) **Outras informações:** Pensa-se que se encontra na zona da fronteira Afeganistão/Paquistão. Envolvido no tráfico de droga. Pertence à tribo Ghilzai. Revisão nos termos da Resolução n.º 1822 (2008) do Conselho de Segurança concluída em 27/7/2010.

**TI.A.160.12. Nome:** 1: ABDUL SAMAD 2: ACHEKZAI 3: — 4: —

**Nome (grafia original):** [vide versão original em língua inglesa]

**Título:** — **Cargo:** — **Data de nascimento:** 1970 **Local de nascimento:** Afeganistão **Também conhecido por, suficiente para identificação:** Abdul Samad **Insuficiente para identificação:** — **Nacionalidade:** afegã **Passaporte n.º:** — **N.º de identificação nacional:** — **Endereço:** — **Data de inserção na lista:** 2/3/2012 **Outras informações:** Membro superior dos Talibã responsável pelo fabrico de engenhos explosivos improvisados (IED). Envolvido no recrutamento e no envio de terroristas suicidas para perpetrar ataques no Afeganistão.

**TI.A.167.13. Nome:** 1: ADAM KHAN 2: ACHEKZAI 3: — 4: —

**Nome (grafia original):** [vide versão original em língua inglesa]

**Título:** Maulavi **Cargo:** — **Data de nascimento:** a) 1970 b) 1972 c) 1971 d) 1973 e) 1974 f) 1975 **Local de nascimento:** província de Kandahar, Afeganistão **Também conhecido por, suficiente para identificação:** a) Maulavi Adam Khan b) Maulavi Adam **Insuficiente para identificação:** — **Nacionalidade:** paquistanesa **Passaporte n.º:** — **N.º de identificação nacional:** — **Endereço:** Chaman, província de Baluchistan, Paquistão **Data de inserção na lista:** 16/4/2013 **Outras informações:** Fabricante de engenhos explosivos improvisados e facilitador para os Talibã. Membro dos Talibã responsável pela província de Badghis, Afeganistão, em meados de 2010. Antigo membro dos Talibã responsável pelas províncias de Sar-e Pul e Samangan, Afeganistão. Como comandante militar dos Talibã na província de Kandahar, Afeganistão, esteve envolvido na organização de ataques suicidas em províncias vizinhas. Associado a Abdul Samad Achekzai (TI.A.160.12.).

**TI.A.114.01. Nome:** 1: ABDUL RAHMAN 2: AGHA 3: — 4: —

**Nome (grafia original):** [vide versão original em língua inglesa]

**Título:** Maulavi **Cargo:** Juiz Presidente do Tribunal Militar durante o regime talibã **Data de nascimento:** aproximadamente 1958 **Local de nascimento:** distrito de Arghandab, província de Kandahar, Afeganistão **Também conhecido por, suficiente para identificação:** — **Insuficiente para identificação:** — **Nacionalidade:** a) afegã b) Paquistanesa **Passaporte n.º:** — **N.º de identificação nacional:** — **Endereço:** — **Data de inserção na lista:** 25/1/2001 (alterada em 3/9/2003, 9/7/2007, 21/9/2007, 29/11/2011) **Outras informações:** Pensa-se que se

encontra na zona da fronteira Afeganistão/Paquistão. Revisão nos termos da Resolução n.º 1822 (2008) do Conselho de Segurança concluída em 29/7/2010.

**TI.A.156.12. Nome:** 1: AHMAD 2: ZIA 3: AGHA 4: —

**Nome (grafia original):** [*vide* versão original em língua inglesa]

**Título:** Haji **Cargo:** — **Data de nascimento:** 1974 **Local de nascimento:** distrito de Maiwand, província de Kandahar, Afeganistão **Também conhecido por, suficiente para identificação:** a) Zia Agha b) Noor Ahmad c) Noor Ahmed **Insuficiente para identificação:** Sia Agha Sayeed **Nacionalidade:** — **Passaporte n.º:** — **N.º de identificação nacional:** — **Endereço:** — **Data de inserção na lista:** 6/1/2012 **Outras informações:** Oficial superior dos Talibã com cargos militares e financeiros em 2011. Chefe do Conselho Militar dos Talibã a partir de 2010. Em 2008 e 2009, foi responsável financeiro dos Talibã tendo distribuído fundos pelos comandantes talibã na zona de fronteira Afeganistão/Paquistão.

**TI.A.91.01. Nome:** 1: JANAN 2: AGHA 3: — 4: —

**Nome (grafia original):** [*vide* versão original em língua inglesa]

**Título:** Mullah **Cargo:** Governador da província de Faryab durante o regime talibã **Data de nascimento:** a) aproximadamente 1958 b) aproximadamente 1953 **Local de nascimento:** cidade de Tirin Kot, província de Uruzgan, Afeganistão **Também conhecido por, suficiente para identificação:** Abdullah Jan Agha **Insuficiente para identificação:** — **Nacionalidade:** afegã **Passaporte n.º:** — **N.º de identificação nacional:** — **Endereço:** — **Data de inserção na lista:** 23/2/2001 (alterada em 3/9/2003, 21/9/2007, 29/11/2011, 31/12/2013) **Outras informações:** Membro do Conselho Supremo dos Talibã e conselheiro de Mullah Mohammed Omar (TI.O.4.01) em Junho de 2010. Lidera uma “frente” talibã (mahaz) desde meados de 2013. Pensa-se que se encontra na zona da fronteira Afeganistão/Paquistão. Pertence à etnia Sadat. Revisão nos termos da Resolução n.º 1822 (2008) do Conselho de Segurança concluída em 23/7/2010.

**TI.A.57.01. Nome:** 1: SAYED 2: MOHAMMAD 3: AZIM 4: AGHA

**Nome (grafia original):** [*vide* versão original em língua inglesa]

**Título:** Maulavi **Cargo:** Director do Departamento de Vistos e Passaportes no Ministério da Administração Interna durante o regime talibã **Data de nascimento:** a)



aproximadamente 1966 **b)** aproximadamente 1969 **Local de nascimento:** distrito de Panjwai, província de Kandahar, Afeganistão **Também conhecido por, suficiente para identificação:** **a)** Sayed Mohammad Azim Agha **b)** Agha Saheb **Insuficiente para identificação:** — **Nacionalidade:** afegã **Passaporte n.º:** — **N.º de identificação nacional:** — **Endereço:** — **Data de inserção na lista:** 23/2/2001 (alterada em 3/9/2003, 9/7/2007, 21/9/2007, 29/11/2011, 31/12/2013) **Outras informações:** Dirige uma “frente” talibã (mahaz) e é membro da Comissão Militar dos Talibã desde meados de 2013. Pensa-se que se encontra na zona da fronteira Afeganistão/Paquistão. Revisão nos termos da Resolução n.º 1822 (2008) do Conselho de Segurança concluída em 23/7/2010.

**TI.A.72.01. Nome:** 1: SAYYED GHIASSOUDDINE 2: AGHA 3: — 4: —

**Nome (grafia original):** [vide versão original em língua inglesa]

**Título:** Maulavi **Cargo:** **a)** Ministro do Haj e Assuntos Religiosos durante o regime talibã **b)** Ministro da Educação durante o regime talibã **Data de nascimento:** aproximadamente 1961 **Local de nascimento:** distrito de Kohistan, província de Faryab, Afeganistão **Também conhecido por, suficiente para identificação:** **a)** Sayed Ghias **b)** Sayed Ghiasuddin Sayed Ghousuddin **c)** Sayyed Ghayasudin **Insuficiente para identificação:** — **Nacionalidade:** afegã **Passaporte n.º:** — **N.º de identificação nacional:** — **Endereço:** — **Data de inserção na lista:** 31/1/2001 (alterada em 3/9/2003, 18/7/2007, 21/9/2007, 1/2/2008, 29/11/2011) **Outras informações:** Membro dos Talibã responsável pelas províncias de Faryab, Jawzjan, Sari Pul e de Balkh, Afeganistão em Junho de 2010. Envolvido no tráfico de droga. Membro do Conselho Supremo dos Talibã e do Conselho Militar dos Talibã em Dezembro de 2009. Pensa-se que se encontra na zona da fronteira Afeganistão/Paquistão. Pertence à etnia Sadat. Revisão nos termos da Resolução n.º 1822 (2008) do Conselho de Segurança concluída em 27/7/2010.

**TI.A.31.01. Nome:** 1: MOHAMMAD 2: AHMADI 3: — 4: —

**Nome (grafia original):** [vide versão original em língua inglesa]

**Título:** **a)** Mullah **b)** Haji **Cargo:** **a)** Presidente do Banco Central (Da Afeganistão Bank) durante o regime talibã **b)** Ministro das Finanças durante o regime talibã **Data de nascimento:** aproximadamente 1963 **Local de nascimento:** **a)** distrito de Daman, província de Kandahar, Afeganistão **b)** aldeia de Pashmul, distrito de

Panjwai, província de Kandahar, Afeganistão **Também conhecido por, suficiente para identificação:** — **Insuficiente para identificação:** — **Nacionalidade:** afegã **Passaporte n.º:** — **N.º de identificação nacional:** — **Endereço:** — **Data de inserção na lista:** 23/2/2001 (alterada em 3/9/2003, 21/9/2007, 29/11/2011, 31/12/2013) **Outras informações:** Pensa-se que se encontra na zona da fronteira Afeganistão/Paquistão. Pertence à tribo Kakar. Membro do Conselho Supremo dos Talibã. Revisão nos termos da Resolução n.º 1822 (2008) do Conselho de Segurança concluída em 23/7/2010.

**TI.A.81.01. Nome:** 1: AHMADULLAH 2: — 3: — 4: —

**Nome (grafia original):** [*vide* versão original em língua inglesa]

**Título:** Qari **Cargo:** Ministro da Segurança (Serviços de Informação) durante o regime talibã **Data de nascimento:** a) aproximadamente 1975 b) aproximadamente 1965 **Local de nascimento:** a) zona de Khogyani, distrito de Qarabagh, província de Ghazni, Afeganistão b) distrito de Andar, província de Ghazni, Afeganistão **Também conhecido por, suficiente para identificação:** a) Ahmadulla b) Mohammad Ahmadullah **Insuficiente para identificação:** — **Nacionalidade:** afegã **Passaporte n.º:** — **N.º de identificação nacional:** — **Endereço:** — **Data de inserção na lista:** 25/1/2001 (alterada em 3/9/2003, 18/7/2007, 21/9/2007, 12/4/2010, 29/11/2011) **Outras informações:** Alegadamente falecido em Dezembro de 2001. Pertence à tribo Khogyani. Revisão nos termos da Resolução n.º 1822 (2008) do Conselho de Segurança concluída em 20/7/2010.

**TI.W.159.12. Nome:** 1: AHMED JAN 2: WAZIR 3: AKHTAR MOHAMMAD 4: —

**Nome (grafia original):** [*vide* versão original em língua inglesa]

**Título:** — **Cargo:** Funcionário do Ministério das Finanças durante o regime talibã **Data de nascimento:** 1963 **Local de nascimento:** aldeia de Barlach, distrito de Qareh Bagh, província de Ghazni, Afeganistão **Também conhecido por, suficiente para identificação:** a) Ahmed Jan Kuchi b) Ahmed Jan Zadrán **insuficiente para identificação:** — **Nacionalidade:** — **Passaporte n.º:** — **N.º de identificação nacional:** — **Endereço:** — **Data de inserção na lista:** 6/1/2012 (alterada em 31/12/2013, 11/2/2014) **Outras informações:** Comandante chave da Rede Haqqani (TE.H.12.12.), com base na zona da fronteira Afeganistão/Paquistão. Desempenha

funções de adjunto, porta-voz e conselheiro do líder superior Sirajuddin Jallaloudine Haqqani (TI.H.144.07) da Rede Haqqani. Assegura o contacto com o Conselho Supremo dos Talibã. Tem viajado para o estrangeiro. Assegura o contacto com os comandantes dos Talibã na província de Ghazni, Afeganistão, e fornece apoio financeiro, armamento, equipamento de comunicações e abastecimentos. Alegadamente falecido em 2013.

**TI.K.149.10. Nome:** 1: SALEH 2: MOHAMMAD 3: KAKAR 4: AKHTAR MUHAMMAD

**Nome (grafia original):** [vide versão original em língua inglesa]

**Título:** — **Cargo:** — **Data de nascimento:** a) aproximadamente 1962 b) 1961  
**Local de nascimento:** a) aldeia de Nalghan, distrito de Panjwai, província de Kandahar, Afeganistão b) aldeia de Sangesar, distrito de Panjway, província de Kandahar, Afeganistão **Também conhecido por, suficiente para identificação:** Saleh Mohammad **Insuficiente para identificação:** — **Nacionalidade:** afegã **Passaporte n.º:** — **N.º de identificação nacional:** — **Endereço:** distrito de Daman, província de Kandahar, Afeganistão **Data de inserção na lista:** 4/11/2010 (alterada em 29/11/2011, 13/8/2012, 31/12/2013, 16/5/2014) **Outras informações:** Dirigiu uma rede de contrabando organizado nas províncias de Kandahar e de Helmand, Afeganistão. Operou anteriormente laboratórios de processamento de heroína em Band-e Temur, província de Kandahar, Afeganistão. Foi proprietário de uma concessionária automóvel em Mirwais Mena, distrito de Dand, província de Kandahar, Afeganistão. Libertado de custódia no Afeganistão em Fevereiro de 2014. Ligado por via do casamento a Mullah Ubaidullah Akhund Yar Mohammad Akhund (TI.A.22.01). Pertence à tribo Kakar.

**TI.A.94.01. Nome:** 1: ABDUL BARI 2: AKHUND 3: — 4: —

**Nome (grafia original):** [vide versão original em língua inglesa]

**Título:** a) Maulavi b) Mullah **Cargo:** Governador da província de Helmand durante o regime talibã **Data de nascimento:** aproximadamente 1953 **Local de nascimento:** a) distrito de Baghran, província de Helmand, Afeganistão b) actualmente distrito de Zad, província de Helmand, Afeganistão **Também conhecido por, suficiente para identificação:** Haji Mullah Sahib **Insuficiente para identificação:** Zakir **Nacionalidade:** afegã **Passaporte n.º:** — **N.º de**

**identificação nacional:** — **Endereço:** — **Data de inserção na lista:** 23/2/2001 (alterada em 3/9/2003, 18/7/2007, 21/9/2007, 13/2/2012) **Outras informações:** Membro do Conselho Supremo dos Talibã a partir de 2009. Pensa-se que se encontra na zona da fronteira Afeganistão/Paquistão. Pertence à tribo Alokozai. Membro dirigente dos Talibã na província de Helmand, Afeganistão. Revisão nos termos da Resolução n.º 1822 (2008) do Conselho de Segurança concluída em 1/6/2010.

**TI.A.9.01. Nome:** 1: ATTIQULLAH 2: AKHUND 3: — 4: —

**Nome (grafia original):** [*vide* versão original em língua inglesa]

**Título:** Maulavi **Cargo:** Ministro-adjunto da Agricultura durante o regime talibã **Data de nascimento:** aproximadamente 1953 **Local de nascimento:** distrito de Shah Wali Kot, província de Kandahar, Afeganistão **Também conhecido por, suficiente para identificação:** — **Insuficiente para identificação:** — **Nacionalidade:** afegã **Passaporte n.º:** — **N.º de identificação nacional:** — **Endereço:** — **Data de inserção na lista:** 23/2/2001 (alterada em 3/9/2003, 21/9/2007, 29/11/2011) **Outras informações:** Membro do Conselho Militar Supremo dos Talibã bem como do Conselho Supremo dos Talibã em Junho de 2010. Pertence à tribo Popalzai. Revisão nos termos da Resolução n.º 1822 (2008) do Conselho de Segurança concluída em 23/7/2010.

**TI.A.158.12. Nome:** 1: MOHAMMAD 2: AMAN 3: AKHUND 4: —

**Nome (grafia original):** [*vide* versão original em língua inglesa]

**Título:** — **Cargo:** — **Data de nascimento:** 1970 **Local de nascimento:** aldeia de Bande Tumur, distrito de Maiwand, província de Kandahar, Afeganistão **Também conhecido por, suficiente para identificação:** a) Mohammed Aman b) Mullah Mohammed Oman c) Mullah Mohammad Aman Ustad Noorzai **Insuficiente para identificação:** a) Mullah Mad Aman Ustad Noorzai b) Sanauallah **Nacionalidade:** — **Passaporte n.º:** — **N.º de identificação nacional:** — **Endereço:** — **Data de inserção na lista:** 6/1/2012 (alterada em 18/5/2012, 27/6/2013) **Outras informações:** Membro superior dos Talibã em 2011 com responsabilidades financeiras, incluindo a angariação de fundos em nome da liderança. Prestou apoio logístico nas operações dos Talibã tendo encaminhado as receitas provenientes do tráfico de droga para a aquisição de armas. Desempenhou funções de secretário do líder talibã Mullah Mohammed Omar (TI.O.4.01) e de seu mensageiro nas reuniões de

alto nível dos Talibã. Também associado a Gul Agha Ishakzai (TI.I.147.10). Membro do círculo privado de Mullah Mohammed Omar (TI.O.4.01) durante o regime talibã.

**TI.H.2.01. Nome:** 1: MOHAMMAD 2: HASSAN 3: AKHUND 4: —

**Nome (grafia original):** [vide versão original em língua inglesa]

**Título:** a) Mullah b) Haji **Cargo:** a) Ministro-adjunto, Conselho de Ministros durante o regime talibã b) Ministro dos Negócios Estrangeiros durante o regime talibã c) Governador de Kandahar durante o regime talibã d) Conselheiro político de Mullah Mohammed Omar **Data de nascimento:** a) aproximadamente 1955-1958 b) aproximadamente 1945-1950 **Local de nascimento:** aldeia de Pashmul, distrito de Panjwai, província de Kandahar, Afeganistão **Também conhecido por, suficiente para identificação:** — **Insuficiente para identificação:** — **Nacionalidade:** afegã **Passaporte n.º:** — **N.º de identificação nacional:** — **Endereço:** — **Data de inserção na lista:** 25/1/2001 (alterada em 3/9/2003, 20/12/2005, 9/7/2007, 21/9/2007, 29/11/2011) **Outras informações:** Colaborador próximo de Mullah Mohammed Omar (TI.O.4.01). Membro do Conselho Supremo dos Talibã em Dezembro de 2009. Pertence à tribo Kakar. Revisão nos termos da Resolução n.º 1822 (2008) do Conselho de Segurança concluída em 21/7/2010.

**TI.A.66.01. Nome:** 1: MOHAMMAD ABBAS 2: AKHUND 3: — 4: —

**Nome (grafia original):** [vide versão original em língua inglesa]

**Título:** Mullah **Cargo:** a) Presidente do Município de Kandahar durante o regime talibã b) Ministro da Saúde Pública durante o regime talibã **Data de nascimento:** aproximadamente 1963 **Local de nascimento:** distrito de Khas Uruzgan, província de Uruzgan, Afeganistão **Também conhecido por, suficiente para identificação:** — **Insuficiente para identificação:** — **Nacionalidade:** afegã **Passaporte n.º:** — **N.º de identificação nacional:** — **Endereço:** — **Data de inserção na lista:** 25/1/2001 (alterada em 3/9/2003, 21/9/2007, 29/11/2011, 31/12/2013) **Outras informações:** Membro do Conselho Supremo dos Talibã responsável pelo Comité Médico a partir de Janeiro de 2011. Supervisiona directamente três centros médicos de tratamento de combatentes talibã feridos, desde meados de 2013. Pensa-se que se encontra na zona da fronteira Afeganistão/Paquistão. Pertence à tribo Barakzai. Revisão nos termos da Resolução n.º 1822 (2008) do Conselho de Segurança concluída em 29/7/2010.

**TI.A.60.01. Nome:** 1: MOHAMMAD ESSA 2: AKHUND 3: — 4: —

**Nome (grafia original):** [*vide* versão original em língua inglesa]

**Título:** a) Alhaj b) Mullah **Cargo:** Ministro da Água, do Saneamento e da Electricidade durante o regime talibã **Data de nascimento:** aproximadamente 1958

**Local de nascimento:** zona de Mial, distrito de Spin Boldak, província de Kandahar, Afeganistão **Também conhecido por, suficiente para identificação:** —

**Insuficiente para identificação:** — **Nacionalidade:** afegã **Passaporte n.º:** —

**N.º de identificação nacional:** — **Endereço:** — **Data de inserção na lista:** 25/1/2001 (alterada em 3/9/2003, 21/9/2007, 29/11/2011) **Outras informações:**

Pertence à tribo Nurzai. Revisão nos termos da Resolução n.º 1822 (2008) do Conselho de Segurança concluída em 27/7/2010.

**TI.A.109.01. Nome:** 1: AHMAD JAN 2: AKHUNDZADA 3: SHUKOOR 4: AKHUNDZADA

**Nome (grafia original):** [*vide* versão original em língua inglesa]

**Título:** a) Maulavi b) Mullah **Cargo:** Governador das províncias de Zabol e Uruzgan no regime talibã **Data de nascimento:** 1966-1967 **Local de nascimento:**

a) aldeia de Lablan, distrito de Dehrawood, província de Uruzgan, Afeganistão b) distrito de Zurmat, província de Paktia, Afeganistão **Também conhecido por,**

**suficiente para identificação:** a) Ahmad Jan Akhonzada b) Ahmad Jan Akhund Zada **insuficiente para identificação:** — **Nacionalidade:** afegã **Passaporte n.º:**

— **N.º de identificação nacional:** — **Endereço:** — **Data de inserção na lista:** 25/1/2001 (alterada em 3/9/2003, 21/9/2007, 12/4/2010, 29/11/2011, 1/6/2012)

**Outras informações:** Membro dos Talibã responsável pela província de Uruzgan, Afeganistão, no início de 2007. Cunhado de Mullah Mohammed Omar (TI.O.4.01). Pensa-se que se encontra na zona da fronteira Afeganistão/Paquistão. Revisão nos termos da Resolução n.º 1822 (2008) do Conselho de Segurança concluída em 29/7/2010.

**TI.S.83.01. Nome:** 1: EHSANULLAH 2: SARFIDA 3: HESAMUDDIN 4: AKHUNDZADA

**Nome (grafia original):** [*vide* versão original em língua inglesa]

**Título:** Maulavi **Cargo:** Ministro-adjunto da Segurança (Serviço de Informações) durante o regime talibã **Data de nascimento:** aproximadamente 1962-1963 **Local de nascimento:** aldeia de Khatak, distrito de Gelan, província de Ghazni, Afeganistão **Também conhecido por, suficiente para identificação:** a) Ehsanullah Sarfadi b) Ehsanullah Sarfida (como inserido anteriormente na lista) **insuficiente para identificação:** — **Nacionalidade:** afegã **Passaporte n.º:** — **N.º de identificação nacional:** — **Endereço:** — **Data de inserção na lista:** 23/2/2001 (alterada em 3/9/2003, 21/9/2007, 13/2/2012, 18/5/2012, 31/12/2013) **Outras informações:** A partir de meados de 2007, prestou apoio aos Talibã a nível de armamento e de financiamento. Encontra-se presumivelmente na região do Golfo. Pertence à tribo Taraki. Revisão nos termos da Resolução n.º 1822 (2008) do Conselho de Segurança concluída em 23/7/2010.

**TI.A.101.01. Nome:** 1: MOHAMMAD ESHAQ 2: AKHUNZADA 3: — 4: —

**Nome (grafia original):** [vide versão original em língua inglesa]

**Título:** Maulavi **Cargo:** Governador da província de Laghman no regime talibã **Data de nascimento:** entre 1963 e 1968 **Local de nascimento:** distrito de Andar, província de Ghazni, Afeganistão **Também conhecido por, suficiente para identificação:** Mohammad Ishaq Akhund nascido em 1963 **insuficiente para identificação:** — **Nacionalidade:** afegã **Passaporte n.º:** — **N.º de identificação nacional:** — **Endereço:** — **Data de inserção na lista:** 23/2/2001 (alterada em 3/9/2003, 21/9/2007, 29/11/2011) **Outras informações:** Comandante dos Talibã na província de Ghazni a partir de 2008. Pertence à tribo Andar. Revisão nos termos da Resolução n.º 1822 (2008) do Conselho de Segurança concluída em 23/7/2010.

**TI.A.148.10. Nome:** 1: ABDUL HABIB 2: ALIZAI 3: — 4: —

**Nome (grafia original):** [vide versão original em língua inglesa]

**Título:** Haji **Cargo:** — **Data de nascimento:** a) 15/10/1963 b) 14/2/1973 c) 1967 d) aproximadamente 1957 **Local de nascimento:** a) aldeia de Yatimchai, distrito de Musa Qala, província de Helmand, Afeganistão b) província de Kandahar, Afeganistão **Também conhecido por, suficiente para identificação:** a) Haji Agha Jan Alizai b) Hajji Agha Jan c) Agha Jan Alazai d) Haji Loi Lala e) Loi Agha f) Abdul Habib g) Agha Jan Alizai [grafia árabe] (como inserido anteriormente na lista) **insuficiente para identificação:** — **Nacionalidade:** afegã **Passaporte n.º:** — **N.º**

**de identificação nacional:** — **Endereço:** — **Data de inserção na lista:** 4/11/2010 (alterada em 13/8/2012, 31/12/2013, 11/2/2014) **Outras informações:** Dirigiu uma rede de tráfico de droga na província de Helmand, Afeganistão. Tem viajado regularmente para o Paquistão.

**TI.H.143.01. Nome:** 1: HAMDULLAH 2: ALLAH NOOR 3: — 4: —

**Nome (grafia original):** [vide versão original em língua inglesa]

**Título:** Maulavi **Cargo:** Adido para o Repatriamento, Consulado-geral dos Talibã, Quetta, Paquistão **Data de nascimento:** 1973 **Local de nascimento:** distrito número 6, cidade de Kandahar, província de Kandahar, Afeganistão **Também conhecido por, suficiente para identificação:** — **Insuficiente para identificação:** — **Nacionalidade:** afegã **Passaporte n.º:** — **N.º de identificação nacional:** Cartão afegão de identificação (tazkira) n.º 4414 **Endereço:** — **Data de inserção na lista:** 25/1/2001 (alterada em 3/9/2003, 21/9/2007, 29/11/2011) **Outras informações:** Pensa-se que se encontra na zona da fronteira Afeganistão/Paquistão. Pertence à etnia Baloch. Revisão nos termos da Resolução n.º 1822 (2008) do Conselho de Segurança concluída em 21/7/2010. Título alternativo: Hafiz.

**TI.A.136.01. Nome:** 1: MOHAMMAD SADIQ 2: AMIR MOHAMMAD 3: — 4: —

**Nome (grafia original):** [vide versão original em língua inglesa]

**Título:** a) Alhaj b) Maulavi **Cargo:** Director da Agência Comercial do Afeganistão, Peshawar, Paquistão **Data de nascimento:** 1934 **Local de nascimento:** a) província de Ghazni, Afeganistão b) província de Logar, Afeganistão **Também conhecido por, suficiente para identificação:** — **Insuficiente para identificação:** — **Nacionalidade:** afegã **Passaporte n.º:** passaporte afegão n.º SE 011252 **N.º de identificação nacional:** — **Endereço:** — **Data de inserção na lista:** 25/1/2001 (alterada em 3/9/2003, 25/7/2006, 23/4/2007, 21/9/2007, 29/11/2011, 13/8/2012) **Outras informações:** Alegadamente falecido. Revisão nos termos da Resolução n.º 1822 (2008) do Conselho de Segurança concluída em 21/7/2010.

**TI.A.5.01. Nome:** 1: MUHAMMAD 2: TAHER 3: ANWARI 4: —

**Nome (grafia original):** [vide versão original em língua inglesa]



**Título:** Mullah **Cargo:** a) Director dos Assuntos Administrativos durante o regime talibã b) Ministro das Finanças durante o regime talibã **Data de nascimento:** aproximadamente 1961 **Local de nascimento:** distrito de Zurmat, província de Paktia, Afeganistão **Também conhecido por, suficiente para identificação:** a) Mohammad Taher Anwari b) Muhammad Tahir Anwari c) Mohammad Tahre Anwari **insuficiente para identificação:** Haji Mudir **Nacionalidade:** afegã **Passaporte n.º:** — **N.º de identificação nacional:** — **Endereço:** — **Data de inserção na lista:** 23/2/2001 (alterada em 3/9/2003, 9/7/2007, 21/9/2007, 29/11/2011) **Outras informações:** Pertence à tribo Andar. Revisão nos termos da Resolução n.º 1822 (2008) do Conselho de Segurança concluída em 23/7/2010.

**TI.A.38.01. Nome:** 1: ABDUL BAQI 2: BASIR 3: AWAL SHAH 4: —

**Nome (grafia original):** [vide versão original em língua inglesa]

**Título:** a) Maulavi b) Mullah **Cargo:** a) Governador das províncias de Khost e Paktika durante o regime talibã b) Vice Ministro da Informação e Cultura durante o regime talibã c) Departamento Consular, Ministério dos Negócios Estrangeiros durante o regime talibã **Data de nascimento:** aproximadamente 1960-1962 **Local de nascimento:** a) cidade de Jalalabad, província de Nangarhar, Afeganistão b) distrito de Shinwar, província de Nangarhar, Afeganistão **Também conhecido por, suficiente para identificação:** Abdul Baqi (como inserido anteriormente na lista) **Insuficiente para identificação:** — **Nacionalidade:** afegã **Passaporte n.º:** — **N.º de identificação nacional:** — **Endereço:** — **Data de inserção na lista:** 23/2/2001 (alterada em 3/9/2003, 7/9/2007, 21/9/2007, 29/11/2011, 13/8/2012) **Outras informações:** Pensa-se que se encontra na zona da fronteira Afeganistão/Paquistão. Membro dos Talibã responsável pela província de Nangarhar em 2008. Foi, até 7/9/2007, também inserido na lista com o número TI.A.48.01. Revisão nos termos da Resolução n.º 1822 (2008) do Conselho de Segurança concluída em 1/6/2010.

**TI.M.104.01. Nome:** 1: MOHAMMAD RASUL 2: AYYUB 3: — 4: —

**Nome (grafia original):** [vide versão original em língua inglesa]

**Título:** Maulavi **Cargo:** Governador da província de Nimroz durante o regime talibã **Data de nascimento:** entre 1958 e 1963 **Local de nascimento:** aldeia de Robot, distrito de Spin Boldak, província de Kandahar, Afeganistão **Também conhecido**

**por, suficiente para identificação:** Gurg **insuficiente para identificação:** —  
**Nacionalidade:** afegã **Passaporte n.º:** — **N.º de identificação nacional:** —  
**Endereço:** — **Data de inserção na lista:** 23/2/2001 (alterada em 3/9/2003, 21/9/2007, 29/11/2011) **Outras informações:** Membro do Talibã Quetta Shura. Pensa-se que se encontra na zona da fronteira Afeganistão/Paquistão. Pertence à tribo Nurzai. Revisão nos termos da Resolução n.º 1822 (2008) do Conselho de Segurança concluída em 27/7/2010.

**TI.D.113.01. Nome:** 1: SHAHABUDDIN 2: DELAWAR 3: — 4: —

**Nome (grafia original):** [vide versão original em língua inglesa]

**Título:** Maulavi **Cargo:** Adjunto do Supremo Tribunal durante o regime talibã  
**Data de nascimento:** a) 1957 b) 1953 **Local de nascimento:** província de Logar, Afeganistão **Também conhecido por, suficiente para identificação:** —  
**Insuficiente para identificação:** — **Nacionalidade:** afegã **Passaporte n.º:** passaporte afegão n.º OA296623 **N.º de identificação nacional:** — **Endereço:** —  
**Data de inserção na lista:** 23/2/2001 (alterada em 3/9/2003, 18/7/2007, 21/9/2007, 29/11/2011, 22/4/2013) **Outras informações:** Chefe-adjunto da Embaixada Talibã em Riade, Arábia Saudita, até 25/9/1998. Pensa-se que se encontra na zona da fronteira Afeganistão/Paquistão. Revisão nos termos da Resolução n.º 1822 (2008) do Conselho de Segurança concluída em 27/7/2010.

**TI.D.92.01. Nome:** 1: DOST MOHAMMAD 2: — 3: — 4: —

**Nome (grafia original):** [vide versão original em língua inglesa]

**Título:** a) Mullah b) Maulavi **Cargo:** Governador da província de Ghazni durante o regime talibã **Data de nascimento:** entre 1968 e 1973 **Local de nascimento:** a) aldeia de Nawi Deh, distrito de Daman, província de Kandahar, Afeganistão b) aldeia de Marghankecha, distrito de Daman, província de Kandahar, Afeganistão **Também conhecido por, suficiente para identificação:** Doost Mohammad **insuficiente para identificação:** — **Nacionalidade:** afegã **Passaporte n.º:** — **N.º de identificação nacional:** — **Endereço:** — **Data de inserção na lista:** 25/1/2001 (alterada em 3/9/2003, 18/7/2007, 21/9/2007, 13/2/2012, 31/12/2013) **Outras informações:** Associado a Mullah Jalil Haqqani (TI.A.34.01). Pensa-se que se encontra na zona da fronteira Afeganistão/Paquistão. Pertence à tribo Popalzai.

Revisão nos termos da Resolução n.º 1822 (2008) do Conselho de Segurança concluída em 27/7/2010.

**TI.N.19.01. Nome:** 1: NIK MOHAMMAD 2: DOST MOHAMMAD 3: — 4: —

**Nome (grafia original):** [vide versão original em língua inglesa]

**Título:** Maulavi **Cargo:** Ministro-adjunto do Comércio durante o regime talibã

**Data de nascimento:** aproximadamente 1957 **Local de nascimento:** aldeia de Zangi Abad, distrito de Panjwai, província de Kandahar, Afeganistão

**Também conhecido por, suficiente para identificação:** Nik Mohammad (como inserido anteriormente na lista)

**Insuficiente para identificação:** — **Nacionalidade:** afegã **Passaporte n.º:**

— **N.º de identificação nacional:** — **Endereço:** — **Data de inserção na lista:**

31/1/2001 (alterada em 3/9/2003, 21/9/2007, 29/11/2011, 13/8/2012, 19/10/2012, 31/12/2013)

**Outras informações:** Dirige uma comissão para o registo de inimigos dos Talibã desde meados de 2013. Pensa-se que se encontra na zona da fronteira Afeganistão/Paquistão. Pertence à tribo Nurzai. Revisão nos termos da Resolução n.º 1822 (2008) do Conselho de Segurança concluída em 27/7/2010.

**TI.E.63.01. Nome:** 1: MOHAMMAD AZAM 2: ELMI 3: — 4: —

**Nome (grafia original):** [vide versão original em língua inglesa]

**Título:** Maulavi **Cargo:** Ministro-adjunto das Minas e Indústrias durante o regime talibã

**Data de nascimento:** aproximadamente 1968 **Local de nascimento:** distrito de Sayd Karam, província de Paktia, Afeganistão

**Também conhecido por, suficiente para identificação:** Muhammad Azami

**insuficiente para identificação:** — **Nacionalidade:** afegã **Passaporte n.º:** — **N.º de identificação nacional:** —

**Endereço:** — **Data de inserção na lista:** 23/2/2001 (alterada em 3/9/2003, 18/7/2007, 21/9/2007, 29/11/2011)

**Outras informações:** Alegadamente falecido em 2005. Revisão nos termos da Resolução n.º 1822 (2008) do Conselho de Segurança concluída em 29/7/2010.

**TI.F.36.01. Nome:** 1: FAIZ 2: — 3: — 4: —

**Nome (grafia original):** [vide versão original em língua inglesa]

**Título:** Maulavi **Cargo:** Director do Departamento da Informação, Ministério dos Negócios Estrangeiros, durante o regime talibã

**Data de nascimento:** aproximadamente 1969 **Local de nascimento:** província de Ghazni, Afeganistão

**Também conhecido por, suficiente para identificação:** — **Insuficiente para identificação:** — **Nacionalidade:** afegã **Passaporte n.º:** — **N.º de identificação nacional:** — **Endereço:** — **Data de inserção na lista:** 23/2/2001 (alterada em 3/9/2003, 9/7/2007, 21/9/2007, 29/11/2011) **Outras informações:** Revisão nos termos da Resolução n.º 1822 (2008) do Conselho de Segurança concluída em 23/7/2010.

**TI.A.106.01. Nome:** 1: MOHAMMAD SHAFIQULLAH 2: AHMADI 3: FATIH KHAN 4: —

**Nome (grafia original):** [*vide* versão original em língua inglesa]

**Título:** Mullah **Cargo:** Governador da província de Samangan durante o regime talibã **Data de nascimento:** 1956-1957 **Local de nascimento:** a) aldeia de Charmistan, distrito de Tirin Kot, província de Uruzgan, Afeganistão b) aldeia de Marghi, distrito de Nawa, província de Ghazni, Afeganistão **Também conhecido por, suficiente para identificação:** a) Mohammad Shafiq Ahmadi (como inserido anteriormente na lista) b) Mullah Shafiqullah **Insuficiente para identificação:** — **Nacionalidade:** afegã **Passaporte n.º:** — **N.º de identificação nacional:** — **Endereço:** — **Data de inserção na lista:** 23/2/2001 (alterada em 3/9/2003, 21/9/2007, 1/6/2012, 13/8/2012, 22/4/2013, 31/12/2013) **Outras informações:** Originário da província de Ghazni, tendo vivido posteriormente em Uruzgan. Governador sombra talibã da província de Uruzgan desde finais de 2012. Alegadamente morto num ataque aéreo no distrito de Shahjoy, província de Zabul no início de 2013. Pertence à tribo Hotak. Revisão nos termos da Resolução n.º 1822 (2008) do Conselho de Segurança concluída em 27/7/2010.

**TI.A.30.01. Nome:** 1: AREFULLAH 2: AREF 3: GHAZI MOHAMMAD 4: —

**Nome (grafia original):** [*vide* versão original em língua inglesa]

**Título:** Maulavi **Cargo:** a) Ministro-adjunto das Finanças durante o regime talibã b) Governador da província de Ghazni durante o regime talibã c) Governador da província de Paktia durante o regime talibã **Data de nascimento:** aproximadamente 1958 **Local de nascimento:** aldeia de Lawang (Lawand), distrito de Gelan, província de Ghazni, Afeganistão **Também conhecido por, suficiente para identificação:** Arefullah Aref (como inserido anteriormente na lista) **Insuficiente para identificação:** — **Nacionalidade:** afegã **Passaporte n.º:** — **N.º de**

**identificação nacional:** — **Endereço:** — **Data de inserção na lista:** 31/1/2001 (alterada em 3/9/2003, 21/9/2007, 29/11/2011, 31/12/2013) **Outras informações:** Dirige uma “frente” talibã no distrito de Gelan, província de Ghazni, Afeganistão desde meados de 2013. Pensa-se que se encontra na zona da fronteira Afeganistão/Paquistão. Pertence à tribo Andar. Revisão nos termos da Resolução n.º 1822 (2008) do Conselho de Segurança concluída em 27/7/2010.

**TI.O.4.01. Nome:** 1: MOHAMMED 2: OMAR 3: GHULAM NABI 4: —

**Nome (grafia original):** [vide versão original em língua inglesa]

**Título:** Mullah **Cargo:** Comandante dos Fiéis (“Amir ul-Mumineen”), Afeganistão

**Data de nascimento:** a) aproximadamente 1966 b) 1960 c) 1953 **Local de nascimento:** a) aldeia de Naw Deh, distrito de Deh Rawud, província de Uruzgan, Afeganistão b) aldeia de Noori, distrito de Maiwand, província de Kandahar, Afeganistão **Também conhecido por, suficiente para identificação:** —

**Insuficiente para identificação:** — **Nacionalidade:** afegã **Passaporte n.º:** —

**N.º de identificação nacional:** — **Endereço:** — **Data de inserção na lista:** 31/1/2001 (alterada em 3/9/2003, 21/9/2007, 29/11/2011, 31/12/2013) **Outras**

**informações:** Filiação paterna: Ghulam Nabi, também conhecido por Mullah Musafir. Perdeu o olho esquerdo. Cunhado de Ahmad Jan Akhundzada Shukoor Akhundzada (TI.A.109.01). Pensa-se que se encontra na zona da fronteira Afeganistão/Paquistão. Pertence à tribo Hotak. Revisão nos termos da Resolução n.º 1822 (2008) do Conselho de Segurança concluída em 27/7/2010.

**TI.G.161.12. Nome:** 1: BAKHT 2: GUL 3: — 4: —

**Nome (grafia original):** [vide versão original em língua inglesa]

**Título:** — **Cargo:** — **Data de nascimento:** 1980 **Local de nascimento:** aldeia de Aki, distrito de Zadran, província de Paktiya, Afeganistão **Também conhecido por, suficiente para identificação:** a) Bakhta Gul b) Bakht Gul Bahar c) Shuqib

**Insuficiente para identificação:** — **Nacionalidade:** afegã **Passaporte n.º:** —

**N.º de identificação nacional:** — **Endereço:** Miram Shah, Waziristão do Norte, Zonas Tribais Federalmente Administradas, Paquistão **Data de inserção na lista:** 27/6/2012 (alterada em 11/2/2014) **Outras informações:** Assistente de comunicação de Badruddin Haqqani (falecido). Também coordena o movimento de insurgentes

Haqqani, combatentes estrangeiros e armamento na zona de fronteira Afeganistão/Paquistão. Pertence à tribo Zadran.

**TI.N.69.01. Nome:** 1: RUSTUM 2: HANAFI 3: HABIBULLAH 4: —

**Nome (grafia original):** [*vide* versão original em língua inglesa]

**Título:** Maulavi **Cargo:** Ministro-adjunto das Obras Públicas durante o regime talibã **Data de nascimento:** aproximadamente 1963 **Local de nascimento:** Dara Kolum, distrito de Do Aab, província de Nuristan, Afeganistão **Também conhecido por, suficiente para identificação:** Rostam Nuristani **Insuficiente para identificação:** Hanafi Sahib **Nacionalidade:** afegã **Passaporte n.º:** — **N.º de identificação nacional:** — **Endereço:** — **Data de inserção na lista:** 25/1/2001 (alterada em 3/9/2003, 18/7/2007, 21/9/2007, 29/11/2011, 18/5/2012, 13/8/2012) **Outras informações:** Membro dos Talibã responsável pela província de Nuristan, Afeganistão, a partir de Maio de 2007. Pertence à tribo Nuristani. Alegadamente falecido no início de 2012. Revisão nos termos da Resolução n.º 1822 (2008) do Conselho de Segurança concluída em 23/7/2010.

**TI.H.140.01. Nome:** 1: GUL AHMAD 2: HAKIMI 3: — 4: —

**Nome (grafia original):** [*vide* versão original em língua inglesa]

**Título:** Maulavi **Cargo:** Adido Comercial, Consulado-geral Talibã, Carachi, Paquistão **Data de nascimento:** 1964 **Local de nascimento:** a) província de Logar, Afeganistão b) província de Cabul, Afeganistão **Também conhecido por, suficiente para identificação:** — **Insuficiente para identificação:** — **Nacionalidade:** afegã **Passaporte n.º:** — **N.º de identificação nacional:** — **Endereço:** — **Data de inserção na lista:** 25/1/2001 (alterada em 3/9/2003, 21/9/2007, 3/10/2008, 29/11/2011) **Outras informações:** Pensa-se que se encontra na zona da fronteira Afeganistão/Paquistão. Revisão nos termos da Resolução n.º 1822 (2008) do Conselho de Segurança concluída em 29/7/2010.

**TI.H.43.01. Nome:** 1: DIN MOHAMMAD 2: HANIF 3: — 4: —

**Nome (grafia original):** [*vide* versão original em língua inglesa]

**Título:** Qari **Cargo:** a) Ministro do Planeamento durante o regime talibã b) Ministro do Ensino Superior durante o regime talibã **Data de nascimento:** aproximadamente 1955 **Local de nascimento:** aldeia de Shakarlab, distrito de Yaftali Pain, província

de Badakhshan, Afeganistão **Também conhecido por, suficiente para identificação:** a) Qari Din Mohammad b) Iadena Mohammad, nascido a 1/1/1969 em Badakhshan, Nacionalidade: Passaporte afegão n.º OA 454044 **insuficiente para identificação:** — **Nacionalidade:** afegã **Passaporte n.º:** — **N.º de identificação nacional:** — **Endereço:** — **Data de inserção na lista:** 25/1/2001 (alterada em 3/9/2003, 9/7/2007, 21/9/2007, 29/11/2011, 25/10/2012) **Outras informações:** Membro do Conselho Supremo dos Talibã responsável pelas províncias de Takhar e de Badakhshan. Pensa-se que se encontra na zona da fronteira Afeganistão/Paquistão. Revisão nos termos da Resolução n.º 1822 (2008) do Conselho de Segurança concluída em 27/7/2010.

**TI.H.40.01. Nome:** 1: JALALUDDIN 2: HAQQANI 3: — 4: —

**Nome (grafia original):** [vide versão original em língua inglesa]

**Título:** Maulavi **Cargo:** Ministro dos Assuntos Fronteiriços durante o regime talibã **Data de nascimento:** a) aproximadamente 1942 b) aproximadamente 1948 **Local de nascimento:** a) zona de Garda Saray, distrito de Waza Zadran, província de Paktia, Afeganistão b) distrito de Neka, província de Paktika, Afeganistão **Também conhecido por, suficiente para identificação:** a) Jalaluddin Haqqani b) Jallalouddin Haqqani c) Jallalouddine Haqqani **Insuficiente para identificação:** — **Nacionalidade:** afegã **Passaporte n.º:** — **N.º de identificação nacional:** — **Endereço:** — **Data de inserção na lista:** 31/1/2001 (alterada em 3/9/2003, 18/7/2007, 21/9/2007, 27/9/2007, 1/2/2008, 31/7/2008, 3/10/2008, 29/11/2011, 11/2/2014) **Outras informações:** Pai de Sirajuddin Jallalouddine Haqqani (TI.H.144.07.), Nasiruddin Haqqani (TI.H.146.10) e de Badruddin Haqqani (falecido). Irmão de Mohammad Ibrahim Omari (TI.O.42.01) e de Khalil Ahmed Haqqani (TI.H.150.11.) Dirigente activo dos Talibã. Pensa-se que se encontra na zona da fronteira Afeganistão/Paquistão. Chefe dos Talibã Miram Shah Shura em 2008. Pertence à tribo Zadran. Revisão nos termos da Resolução n.º 1822 (2008) do Conselho de Segurança concluída em 27/7/2010.

**TI.H.150.11. Nome:** 1: KHALIL 2: AHMED 3: HAQQANI 4: —

**Nome (grafia original):** [vide versão original em língua inglesa]

**Título:** Haji **Cargo:** — **Data de nascimento:** a) 1/1/1966 b) entre 1958 e 1964 **Local de nascimento:** aldeia de Sarana, zona de Garda Saray, distrito de Waza

Zadran, província de Paktia, Afeganistão **Também conhecido por, suficiente para identificação:** a) Khalil Al-Rahman Haqqani b) Khalil ur Rahman Haqqani c) Khaleel Haqqani **Insuficiente para identificação:** — **Nacionalidade:** afegã **Passaporte n.º:** — **N.º de identificação nacional:** — **Endereço:** a) Peshawar, Paquistão b) perto da madrassa de Dergey Manday na aldeia de Dergey Manday, perto de Miram Shah, Agência Waziristão do Norte (NWA), Zonas Tribais Federalmente Administradas (FATA), Paquistão c) aldeia de Kayla, perto de Miram Shah, Agência Waziristão do Norte (NWA), Zonas Tribais Federalmente Administradas (FATA), Paquistão d) aldeia de Sarana Zadran, província de Paktia, Afeganistão **Data de inserção na lista:** 9/2/2011 (alterada em 1/6/2012) **Outras informações:** Elemento superior da Rede Haqqani (TE.H.12.12.), que opera no Waziristão do Norte nas Zonas Tribais Federalmente Administradas do Paquistão. Viajou anteriormente para o Dubai, Emirados Árabes Unidos, tendo lá angariado fundos. Irmão de Jalaluddin Haqqani (TI.H.40.01.) e tio de Sirajuddin Jallaloudine Haqqani (TI.H.144.07.).

**TI.H.79.01. Nome:** 1: MOHAMMAD SALIM 2: HAQQANI 3: — 4: —

**Nome (grafia original):** [*vide* versão original em língua inglesa]

**Título:** Maulavi **Cargo:** Ministro-adjunto da Prevenção do Vício e da Propagação da Virtude durante o regime talibã **Data de nascimento:** aproximadamente 1966-1967 **Local de nascimento:** distrito de Alingar, província de Laghman, Afeganistão **Também conhecido por, suficiente para identificação:** — **Insuficiente para identificação:** — **Nacionalidade:** afegã **Passaporte n.º:** — **N.º de identificação nacional:** — **Endereço:** — **Data de inserção na lista:** 31/1/2001 (alterada em 3/9/2003, 18/7/2007, 21/9/2007, 29/11/2011) **Outras informações:** Vice Comandante do Ezatullah Haqqani Khan Sayyid (TI.H.64.01) em Março de 2010. Membro do Conselho Militar dos Talibã de Peshawar em Junho de 2010. Pertence à etnia Pashai. Revisão nos termos da Resolução n.º 1822 (2008) do Conselho de Segurança concluída em 27/7/2010.

**TI.H.146.10. Nome:** 1: NASIRUDDIN 2: HAQQANI 3: — 4: —

**Nome (grafia original):** [*vide* versão original em língua inglesa]

**Título:** — **Cargo:** — **Data de nascimento:** aproximadamente 1970-1973 **Local de nascimento:** distrito de Neka, província de Paktika, Afeganistão **Também**



**conhecido por, suficiente para identificação:** a) Dr. Alim Ghair b) Naseer Haqqani c) Dr. Naseer Haqqani d) Nassir Haqqani e) Nashir Haqqani **Insuficiente para identificação:** Naseruddin **Nacionalidade:** afegã **Passaporte n.º:** — **N.º de identificação nacional:** — **Endereço:** Paquistão **Data de inserção na lista:** 20/7/2010 (alterada em 29/7/2011, 18/5/2012, 27/6/2013, 11/2/2014) **Outras informações:** Um dos dirigentes da Rede Haqqani (TE.H.12.12.), que opera no Waziristão do Norte nas Zonas Tribais Federalmente Administradas do Paquistão. Filho de Jalaluddin Haqqani (TI.H.40.01). Viajou para a Arábia Saudita e para os Emirados Árabes Unidos a fim de angariar fundos para os Talibã. Alegadamente falecido em 2013.

**TI.H.6.01. Nome:** 1: SAYYED MOHAMMED 2: HAQQANI 3: — 4: —

**Nome (grafia original):** [vide versão original em língua inglesa]

**Título:** Mullah **Cargo:** a) Director dos Assuntos Administrativos durante o regime talibã b) Chefe da Informação e Cultura na província de Kandahar durante o regime talibã **Data de nascimento:** aproximadamente 1965 **Local de nascimento:** aldeia de Chaharbagh, distrito de Arghandab, província de Kandahar, Afeganistão **Também conhecido por, suficiente para identificação:** Sayyed Mohammad Haqqani **Insuficiente para identificação:** — **Nacionalidade:** afegã **Passaporte n.º:** — **N.º de identificação nacional:** — **Endereço:** — **Data de inserção na lista:** 31/1/2001 (alterada em 3/9/2003, 20/12/2005, 18/7/2007, 21/9/2007, 29/11/2011) **Outras informações:** Licenciado pela madrassa de Haqqaniya em Akora Khattak, Paquistão. Acredita-se que tem boas relações com o líder talibã Mullah Mohammed Omar (TI.O.4.01). Pensa-se que se encontra na zona da fronteira Afeganistão/Paquistão. Membro do Conselho Supremo dos Talibã em Junho de 2010. Pertence à tribo Barakzay. Revisão nos termos da Resolução n.º 1822 (2008) do Conselho de Segurança concluída em 27/7/2010.

**TI.H.144.07. Nome:** 1: SIRAJUDDIN 2: JALLALOUUDINE 3: HAQQANI 4: —

**Nome (grafia original):** [vide versão original em língua inglesa]

**Título:** — **Cargo:** Na'ib Amir (Vice Comandante) **Data de nascimento:** aproximadamente 1977/1978 **Local de nascimento:** a) Danda, Miramshah, Waziristão do Norte, Paquistão b) aldeia de Srana, distrito de Garda Saray, província de Paktia, Afeganistão c) distrito de Neka, província de Paktika, Afeganistão d)

província de Khost, Afeganistão **Também conhecido por, suficiente para identificação:** a) Siraj Haqqani b) Serajuddin Haqani c) Siraj Haqani d) Saraj Haqani **Insuficiente para identificação:** Khalifa **Nacionalidade:** afegã **Passaporte n.º:** — **N.º de identificação nacional:** — **Endereço:** a) bairro de Kela /bairro de Danda, Miramshah, Waziristão do Norte, Paquistão b) madrassa de Manba'ul uloom, Miramshah, Waziristão do Norte, Paquistão c) madrassa de Dergey Manday, Miramshah, Waziristão do Norte, Paquistão **Data de inserção na lista:** 13/9/2007 (alterada em 22/4/2013) **Outras informações:** Dirigente da Rede Haqqani (TE.H.12.12.) desde finais de 2012. Filho de Jallaloudine Haqani (TI.H.40.01). Pertence à facção Sultan Khel, tribo Zadran de Garda Saray da província de Paktia, Afeganistão. Pensa-se que se encontra na zona da fronteira Afeganistão/Paquistão. Revisão nos termos da Resolução n.º 1822 (2008) do Conselho de Segurança concluída em 27/7/2010.

**TI.H.14.01. Nome:** 1: HIDAYATULLAH 2: — 3: — 4: —

**Nome (grafia original):** [vide versão original em língua inglesa]

**Título:** — **Cargo:** Ministro-adjunto da Aviação Civil e do Turismo durante o regime talibã **Data de nascimento:** aproximadamente 1968 **Local de nascimento:** distrito de Arghandab, província de Kandahar, Afeganistão **Também conhecido por, suficiente para identificação:** Abu Turab **Insuficiente para identificação:** — **Nacionalidade:** afegã **Passaporte n.º:** — **N.º de identificação nacional:** — **Endereço:** — **Data de inserção na lista:** 8/3/2001 (alterada em 3/9/2003, 21/9/2007, 28/2/2008, 3/10/2008, 29/11/2011) **Outras informações:** Pensa-se que se encontra na zona da fronteira Afeganistão/Paquistão. Pertence à tribo Ghilzai. Revisão nos termos da Resolução n.º 1822 (2008) do Conselho de Segurança concluída em 29/7/2010.

**TI.H.71.01. Nome:** 1: NAJIBULLAH 2: HAQQANI 3: HIDAYATULLAH 4: —

**Nome (grafia original):** [vide versão original em língua inglesa]

**Título:** Maulavi **Cargo:** Ministro-adjunto das Finanças durante o regime talibã **Data de nascimento:** 1971 **Local de nascimento:** aldeia de Moni, distrito de Shigal, província de Kunar **Também conhecido por, suficiente para identificação:** Najibullah Haqani **Insuficiente para identificação:** — **Nacionalidade:** afegã **Passaporte n.º:** — **N.º de identificação nacional:** cartão de identificação afegão

(tazkira) n.º 545167, emitido em 1974 **Endereço:** — **Data de inserção na lista:** 23/2/2001 (alterada em 3/9/2003, 18/7/2007, 21/9/2007, 27/9/2007, 29/11/2011, 16/5/2014) **Outras informações:** Primo de Moulavi Noor Jalal. Nome do avô: Salam. Membro talibã responsável pela província de Laghman a partir de finais de 2010. Pensa-se que se encontra na zona da fronteira Afeganistão/Paquistão. Revisão nos termos da Resolução n.º 1822 (2008) do Conselho de Segurança concluída em 1/6/2010.

**TI.H.49.01. Nome:** 1: ABDUL RAHMAN 2: AHMAD 3: HOTTAK 4: —

**Nome (grafia original):** [vide versão original em língua inglesa]

**Título:** Maulavi **Cargo:** a) Ministro-adjunto (Cultura) da Informação e Cultura durante o regime talibã b) Chefe do Departamento Consular do Ministério dos Negócios Estrangeiros do regime talibã **Data de nascimento:** aproximadamente 1957 **Local de nascimento:** província de Ghazni, Afeganistão **Também conhecido por, suficiente para identificação:** Hottak Sahib **Insuficiente para identificação:** — **Nacionalidade:** afegã **Passaporte n.º:** — **N.º de identificação nacional:** — **Endereço:** — **Data de inserção na lista:** 25/1/2001 (alterada em 3/9/2003, 9/7/2007, 21/9/2007, 29/11/2011) **Outras informações:** Pensa-se que se encontra na zona da fronteira Afeganistão/Paquistão. Pertence à tribo Hotak. Revisão nos termos da Resolução n.º 1822 (2008) do Conselho de Segurança concluída em 29/7/2010.

**TI.M.119.01. Nome:** 1: JAN MOHAMMAD 2: MADANI 3: IKRAM 4: —

**Nome (grafia original):** ) : [vide versão original em língua inglesa]

**Título:** Maulavi **Cargo:** Adido Comercial, Embaixada Talibã, Abu Dabi, Emirados Árabes Unidos **Data de nascimento:** 1954-1955 **Local de nascimento:** aldeia de Siyachoy, distrito de Panjwai, província de Kandahar, Afeganistão **Também conhecido por, suficiente para identificação:** — **Insuficiente para identificação:** — **Nacionalidade:** afegã **Passaporte n.º:** — **N.º de identificação nacional:** — **Endereço:** — **Data de inserção na lista:** 25/1/2001 (alterada em 3/9/2003, 21/9/2007, 29/11/2011, 15/8/2012) **Outras informações:** Pensa-se que se encontra na zona da fronteira Afeganistão/Paquistão. Pertence à tribo Alizai. Revisão nos termos da Resolução n.º 1822 (2008) do Conselho de Segurança concluída em 29/7/2010.

**TI.I.147.10. Nome:** 1: GUL 2: AGHA 3: ISHAKZAI 4: —

**Nome (grafia original):** [*vide* versão original em língua inglesa]

**Título:** — **Cargo:** — **Data de nascimento:** aproximadamente 1972 **Local de nascimento:** Band-e Temur, distrito de Maiwand, província de Kandahar, Afeganistão **Também conhecido por, suficiente para identificação:** a) Mullah Gul Agha b) Mullah Gul Agha Akhund **Insuficiente para identificação:** a) Hidayatullah b) Haji Hidayatullah c) Hayadatullah **Nacionalidade:** — **Passaporte n.º:** — **N.º de identificação nacional:** — **Endereço:** Paquistão **Data de inserção na lista:** 20/7/2010 (alterada em 29/11/2011, 31/12/2013) **Outras informações:** Membro do Conselho dos Talibã que coordena a cobrança do *zakat* (imposto islâmico) na província de Baluchistan, Paquistão. Chefe da Comissão Financeira dos Talibã em meados de 2013. Associado a Mullah Mohammed Omar (TI.O.4.01). Foi o principal técnico financeiro de Omar e um dos seus mais próximos conselheiros. Pertence à tribo Ishaqzai.

**TI.J.47.01. Nome:** 1: QUDRATULLAH 2: JAMAL 3: — 4: —

**Nome (grafia original):** [*vide* versão original em língua inglesa]

**Título:** Maulavi **Cargo:** Ministro da Informação durante o regime talibã **Data de nascimento:** aproximadamente 1963 **Local de nascimento:** Gardez, província de Paktia, Afeganistão **Também conhecido por, suficiente para identificação:** Haji Sahib **Insuficiente para identificação:** — **Nacionalidade:** afegã **Passaporte n.º:** — **N.º de identificação nacional:** — **Endereço:** — **Data de inserção na lista:** 25/1/2001 (alterada em 3/9/2003, 18/7/2007, 21/9/2007, 29/11/2011) **Outras informações:** Membro do Conselho Supremo dos Talibã e membro da Comissão Cultural dos Talibã em 2010. Pensa-se que se encontra na zona da fronteira Afeganistão/Paquistão. Revisão nos termos da Resolução n.º 1822 (2008) do Conselho de Segurança concluída em 21/7/2010.

**TI.K.137.01. Nome:** 1: RAHMATULLAH 2: KAKAZADA 3: — 4: —

**Nome (grafia original):** [*vide* versão original em língua inglesa]

**Título:** a) Maulavi b) Mullah **Cargo:** Côsul-geral, Consulado-geral Talibã, Carachi, Paquistão **Data de nascimento:** 1968 **Local de nascimento:** distrito de Zurmat, província de Paktia, Afeganistão **Também conhecido por, suficiente para identificação:** a) Rehmatullah b) Kakazada **Insuficiente para identificação:**

Mullah Nasir **Nacionalidade:** afegã **Passaporte n.º:** passaporte afegão n.º D 000952 emitido em 7/1/1999 **N.º de identificação nacional:** — **Endereço:** — **Data de inserção na lista:** 25/1/2001 (alterada em 3/9/2003, 25/7/2006, 18/7/2007, 21/9/2007, 29/11/2011) **Outras informações:** Membro dos Talibã responsável pela província de Ghazni, Afeganistão, a partir de Maio de 2007. Chefe de uma rede de informações. Pensa-se que se encontra na zona da fronteira Afeganistão/Paquistão. Pertence à tribo Suleimankheil. Revisão nos termos da Resolução n.º 1822 (2008) do Conselho de Segurança concluída em 21/7/2010.

**TI.K.25.01. Nome:** 1: ABDUL RAUF 2: KHADEM 3: — 4: —

**Nome (grafia original):** ): [vide versão original em língua inglesa]

**Título:** Mullah **Cargo:** Comandante do Corpo Central durante o regime talibã **Data de nascimento:** a) entre 1958 e 1963 b) aproximadamente 1970 **Local de nascimento:** a) aldeia de Azan, distrito de Kajaki, província de Helmand, Afeganistão b) distrito de Spin Boldak, província de Kandahar, Afeganistão **Também conhecido por, suficiente para identificação:** Mullah Abdul Rauf Aliza **Insuficiente para identificação:** — **Nacionalidade:** afegã **Passaporte n.º:** — **N.º de identificação nacional:** — **Endereço:** — **Data de inserção na lista:** 23/2/2001 (alterada em 3/9/2003, 21/9/2007, 13/2/2012) **Outras informações:** Membro dos Talibã Quetta Shura em 2009. Membro dos Talibã responsável pela província de Uruzgan, Afeganistão, em 2011. Revisão nos termos da Resolução n.º 1822 (2008) do Conselho de Segurança concluída em 1/6/2010.

**TI.K.93.01. Nome:** 1: KHAIRULLAH 2: KHAIRKHWAH 3: — 4: —

**Nome (grafia original):** ): [vide versão original em língua inglesa]

**Título:** a) Maulavi b) Mullah **Cargo:** a) Governador da província de Herat durante o regime talibã b) Porta-voz do regime talibã c) Governador da província de Cabul durante o regime talibã d) Ministro dos Assuntos Internos durante o regime talibã **Data de nascimento:** aproximadamente 1963 **Local de nascimento:** aldeia de Poti, distrito de Arghistan, província de Kandahar, Afeganistão **Também conhecido por, suficiente para identificação:** a) Mullah Khairullah Khairkhwah b) Khirullah Said Wali Khairkhwa, nascido em Kandahar em 1/1/1967 **Insuficiente para identificação:** — **Nacionalidade:** afegã **Passaporte n.º:** — **N.º de identificação nacional:** — **Endereço:** prisão da baía de Guantanamo **Data de inserção na lista:**

25/1/2001 (alterada em 3/9/2003, 21/9/2007, 3/10/2008, 12/4/2010, 29/11/2011, 31/12/2013) **Outras informações:** Sob custódia dos Estados Unidos da América desde meados de 2013. Pertence à tribo Popalzai. Revisão nos termos da Resolução n.º 1822 (2008) do Conselho de Segurança concluída em 23/7/2010.

**TI.E.64.01. Nome:** 1: EZATULLAH 2: HAQQANI 3: KHAN SAYYID 4: —

**Nome (grafia original):** ): [*vide* versão original em língua inglesa]

**Título:** Maulavi **Cargo:** Ministro-adjunto do Planeamento durante o regime talibã

**Data de nascimento:** aproximadamente 1957 **Local de nascimento:** distrito de Alingar, província de Laghman, Afeganistão **Também conhecido por, suficiente**

**para identificação:** Ezatullah Haqqani (como inserido anteriormente na lista)

**Insuficiente para identificação:** — **Nacionalidade:** afegã **Passaporte n.º:** —

**N.º de identificação nacional:** — **Endereço:** — **Data de inserção na lista:**

23/2/2001 (alterada em 3/9/2003, 18/7/2007, 21/9/2007, 27/9/2007, 29/11/2011, 18/5/2012) **Outras informações:** Membro do Talibã Peshawar Shura a partir de 2008. Pensa-se que se encontra na zona da fronteira Afeganistão/Paquistão. Revisão nos termos da Resolução n.º 1822 (2008) do Conselho de Segurança concluída em 1/6/2010.

**TI.N.13.01. Nome:** 1: MOHAMMAD NAIM 2: BARICH 3: KHUDAIDAD 4: —

**Nome (grafia original):** [*vide* versão original em língua inglesa]

**Título:** Mullah **Cargo:** Ministro-adjunto da Aviação Civil durante o regime talibã

**Data de nascimento:** aproximadamente 1975 **Local de nascimento:** a) aldeia de Lakhi, zona de Hazarjuft, distrito de Garmsir, província de Helmand, Afeganistão b)

aldeia de Laki, distrito de Garmsir, província de Helmand, Afeganistão c) aldeia de Lakari, distrito de Garmsir, província de Helmand, Afeganistão d) Darvishan, distrito

de Garmsir, província de Helmand, Afeganistão e) aldeia de De Luy Wiyalah, distrito de Garmsir, província de Helmand, Afeganistão **Também conhecido por, suficiente**

**para identificação:** a) Mullah Naeem Barech b) Mullah Naeem Baraich c) Mullah Naimullah d) Mullah Naim Bareh e) Mohammad Naim, (como inserido

anteriormente na lista) f) Mullah Naim Barich g) Mullah Naim Barech h) Mullah Naim Barech Akhund i) Mullah Naeem Baric j) Naim Berich k) Haji Gul

Mohammed Naim Barich l) Gul Mohammad m) Haji Ghul Mohammad n) Gul Mohammad Kamran o) Mawlawi Gul Mohammad **Insuficiente para identificação:**

Spen Zrae **Nacionalidade:** afegã **Passaporte n.º:** — **N.º de identificação nacional:** — **Endereço:** — **Data de inserção na lista:** 23/2/2001 (alterada em 3/9/2003, 9/7/2007, 21/9/2007, 13/2/2012, 13/8/2012, 22/4/2013, 31/12/2013) **Outras informações:** Membro da Comissão Militar dos Talibã em meados de 2013. Pensa-se que se encontra na zona da fronteira Afeganistão/Paquistão. Pertence à tribo Barich. Revisão nos termos da Resolução n.º 1822 (2008) do Conselho de Segurança concluída em 1/6/2010.

**TI.K.163.12. Nome:** 1: KHAIRULLAH 2: BARAKZAI 3: KHUDAI NAZAR 4: —

**Nome (grafia original):** [vide versão original em língua inglesa]

**Título:** Haji **Cargo:** — **Data de nascimento:** 1965 **Local de nascimento:** a) aldeia de Zumbaleh, distrito de Nahr-e Saraj, província de Helmand, Afeganistão b) aldeia de Mirmadaw, distrito de Gereshk, província de Helmand, Afeganistão c) Qilla Abdullah, província de Baluchistan, Paquistão **Também conhecido por, suficiente para identificação:** a) Haji Khairullah b) Haji Khair Ullah c) Haji Kheirullah d) Haji Karimullah e) Haji Khair Mohammad **Insuficiente para identificação:** — **Nacionalidade:** — **Passaporte n.º:** passaporte paquistanês n.º BP4199631 válido até 25/6/2014, cancelado oficialmente em 2013 **N.º de identificação nacional:** identificação paquistanesa n.º 5440005229635, cancelado oficialmente em 2013 **Endereço:** Abdul Manan Chowk, Pashtunabad, Quetta, província de Baluchistan, Paquistão **Data de inserção na lista:** 29/6/2012 (alterada em 11/2/2014) **Outras informações:** Co-proprietário do Haji Khairullah Haji Sattar Money Exchange (TE.H.1.12.) e também associado a Abdul Satar Abdul Manan (TI.A.162.12.). Pertence à tribo Barakzai. Filiação paterna: Haji Khudai Nazar. Filiação paterna alternativa: Nazar Mohammad.

**TI.Q.165.12. Nome:** 1: MOHAMMED QASIM 2: MIR WALI 3: KHUDAI RAHIM 4: —

**Nome (grafia original):** [vide versão original em língua inglesa]

**Título:** Haji **Cargo:** — **Data de nascimento:** entre 1975 e 1976 **Local de nascimento:** a) aldeia de Minar, distrito de Garmser, província de Helmand, Afeganistão b) aldeia de Darweshan, distrito de Garmser, província de Helmand **Também conhecido por, suficiente para identificação:** a) Muhammad Qasim

**b) Abdul Salam Insuficiente para identificação: — Nacionalidade:** afegã  
**Passaporte n.º: — N.º de identificação nacional:** a) cartão afegão de identificação (tazkira) n.º 57388 emitido no distrito de Lashkar Gah, província de Helmand, Afeganistão **b)** cartão de residente n.º 665, Ayno Maina, província de Kandahar, Afeganistão **Endereço:** a) Wesh, distrito de Spin Boldak, província de Kandahar, Afeganistão **b)** Safaar Bazaar, distrito de Garmser, província de Helmand, Afeganistão **c)** Room number 33, 5th Floor Sarafi Market, cidade de Kandahar, província de Kandahar, Afeganistão **Data de inserção na lista:** 21/11/2012 (alterada em 22/4/2013) **Outras informações:** Proprietário do Rahat Ltd. (TE.R.13.12.). Envolvido no fornecimento de armas para os Talibã, incluindo engenhos explosivos improvisados (IED). Preso em 2012 e sob custódia no Afeganistão desde Janeiro de 2013. Associado ao Rahat Ltd. (TE.R.13.12.).

**TI.A.53.01. Nome:** 1: ABDUL RAZAQ 2: AKHUND 3: LALA AKHUND 4: —

**Nome (grafia original):** ): [vide versão original em língua inglesa]

**Título:** Mullah **Cargo:** a) Ministro dos Assuntos Internos durante o regime talibã **b)** Chefe da Polícia de Cabul durante o regime talibã **Data de nascimento:** aproximadamente 1958 **Local de nascimento:** distrito de Spin Boldak, província de Kandahar, Afeganistão, na zona de fronteira com o distrito de Chaman, Quetta, Paquistão **Também conhecido por, suficiente para identificação: — Insuficiente para identificação: — Nacionalidade:** afegã **Passaporte n.º: — N.º de identificação nacional: — Endereço: — Data de inserção na lista:** 25/1/2001 (alterada em 3/9/2003, 18/7/2007, 21/9/2007, 29/11/2011, 31/12/2013) **Outras informações:** Membro do Conselho Supremo dos Talibã em Junho de 2008. Adjunto de Mullah Mohammed Omar (TI.O.4.01) em Março de 2010. Membro da Comissão de Supervisão dos Talibã desde meados de 2013. Envolvido no tráfico de droga. Pensa-se que se encontra na zona da fronteira Afeganistão/Paquistão. Pertence à tribo Achekzai. Revisão nos termos da Resolução n.º 1822 (2008) do Conselho de Segurança concluída em 21/7/2010.

**TI.M.102.01. Nome:** 1: ZIA-UR-RAHMAN 2: MADANI 3: — 4: —

**Nome (grafia original):** [vide versão original em língua inglesa]

**Título:** Maulavi **Cargo:** Governador da província de Logar durante o regime talibã **Data de nascimento:** aproximadamente 1960 **Local de nascimento:** a) aldeia de



Paliran, distrito de Namakab, província de Takhar, Afeganistão **b)** cidade de Taluqan, província de Takhar, Afeganistão **Também conhecido por, suficiente para identificação:** **a)** Ziaurrahman Madani **b)** Zaia u Rahman Madani **c)** Madani Saheb **d)** Diya' al-Rahman Madani **Insuficiente para identificação:** — **Nacionalidade:** afegã **Passaporte n.º:** — **N.º de identificação nacional:** — **Endereço:** — **Data de inserção na lista:** 23/2/2001 (alterada em 3/9/2003, 18/7/2007, 21/9/2007, 27/9/2007, 1/2/2008, 13/2/2012, 31/12/2013) **Outras informações:** Envolvido no tráfico de droga. Membro dos Talibã responsável pelos assuntos militares na província de Takhar, Afeganistão, a partir de Maio de 2007. Facilitou a angariação de fundos no Golfo em nome dos Talibã desde 2003. Facilitou igualmente reuniões entre oficiais talibã e apoiantes ricos e programou as viagens de mais de uma dúzia de pessoas para Cabul, Afeganistão, para ataques suicidas. Pensa-se que se encontra na região do Golfo. Revisão nos termos da Resolução n.º 1822 (2008) do Conselho de Segurança concluída em 23/7/2010.

**TI.M.7.01. Nome:** 1: ABDUL LATIF 2: MANSUR 3: — 4: —

**Nome (grafia original):** [vide versão original em língua inglesa]

**Título:** Maulavi **Cargo:** Ministro da Agricultura durante o regime talibã **Data de nascimento:** aproximadamente 1968 **Local de nascimento:** **a)** distrito de Zurmat, província de Paktia, Afeganistão **b)** distrito de Garda Saray, província de Paktia, Afeganistão **Também conhecido por, suficiente para identificação:** **a)** Abdul Latif Mansoor **b)** Wali Mohammad **Insuficiente para identificação:** — **Nacionalidade:** afegã **Passaporte n.º:** — **N.º de identificação nacional:** — **Endereço:** — **Data de inserção na lista:** 31/1/2001 (alterada em 3/9/2003, 18/7/2007, 21/9/2007, 13/2/2012, 18/5/2012, 22/4/2013) **Outras informações:** Governador sombra talibã para a província de Logar a partir de finais de 2012. Pensa-se que se encontra na zona da fronteira Afeganistão/Paquistão. Pertence à tribo Sahak (Ghilzai). Revisão nos termos da Resolução n.º 1822 (2008) do Conselho de Segurança concluída em 27/7/2010.

**TI.M.68.01. Nome:** 1: MOHAMMADULLAH 2: MATI 3: — 4: —

**Nome (grafia original):** [vide versão original em língua inglesa]

**Título:** Maulavi **Cargo:** Ministro das Obras Públicas durante o regime talibã **Data de nascimento:** aproximadamente 1961 **Local de nascimento:** distrito de

Arghandab, província de Kandahar, Afeganistão **Também conhecido por, suficiente para identificação:** Mawlawi Nanai **Insuficiente para identificação:** — **Nacionalidade:** afegã **Passaporte n.º:** — **N.º de identificação nacional:** — **Endereço:** — **Data de inserção na lista:** 25/1/2001 (alterada em 3/9/2003, 21/9/2007, 3/10/2008, 29/11/2011, 31/12/2013) **Outras informações:** Perdeu uma perna nos anos 1980. Líder interino do Conselho Supremo dos Talibã de Fevereiro a Abril de 2010. Encarregado de actividades de recrutamento a partir de meados de 2013. Pensa-se que se encontra na zona da fronteira Afeganistão/Paquistão. Pertence à tribo Isakzai. Revisão nos termos da Resolução n.º 1822 (2008) do Conselho de Segurança concluída em 29/7/2010.

**TL.A.21.01. Nome:** 1: ALLAH DAD 2: MATIN 3: — 4: —

**Nome (grafia original):** [vide versão original em língua inglesa]

**Título:** Mullah **Cargo:** a) Ministro do Desenvolvimento Urbanístico durante o regime talibã b) Presidente do Banco Central (Da Afeganistão Bank) durante o regime talibã c) Presidente da Ariana Afghan Airlines durante o regime talibã **Data de nascimento:** a) aproximadamente 1953 b) aproximadamente 1960 **Local de nascimento:** aldeia de Kadani, distrito de Spin Boldak, província de Kandahar, Afeganistão **Também conhecido por, suficiente para identificação:** a) Allahdad (como inserido anteriormente na lista) b) Shahidwror **Insuficiente para identificação:** Akhund **Nacionalidade:** afegã **Passaporte n.º:** — **N.º de identificação nacional:** — **Endereço:** — **Data de inserção na lista:** 31/1/2001 (alterada em 3/9/2003, 21/9/2007, 29/11/2011, 31/12/2013) **Outras informações:** Perdeu um pé na explosão de uma mina terrestre. Pensa-se que se encontra na zona da fronteira Afeganistão/Paquistão. Pertence à tribo Nurzai. Revisão nos termos da Resolução n.º 1822 (2008) do Conselho de Segurança concluída em 27/7/2010.

**TL.M.20.01. Nome:** 1: MATIULLAH 2: — 3: — 4: —

**Nome (grafia original):** [vide versão original em língua inglesa]

**Título:** Mullah **Cargo:** Director da Alfândega de Cabul durante o regime talibã **Data de nascimento:** aproximadamente 1973 **Local de nascimento:** distrito de Daman, província de Kandahar, Afeganistão **Também conhecido por, suficiente para identificação:** — **Insuficiente para identificação:** — **Nacionalidade:** afegã **Passaporte n.º:** — **N.º de identificação nacional:** — **Endereço:** — **Data de**

**inserção na lista:** 23/2/2001 (alterada em 3/9/2003, 21/9/2007, 3/10/2008, 29/11/2011, 31/12/2013) **Outras informações:** Trabalha no recrutamento para o movimento talibã desde meados de 2013. Pensa-se que se encontra na zona da fronteira Afeganistão/Paquistão. Pertence à tribo Popalzai. Revisão nos termos da Resolução n.º 1822 (2008) do Conselho de Segurança concluída em 23/7/2010.

**TI.M.135.01. Nome:** 1: ABDUL QUDDUS 2: MAZHARI 3: — 4: —

**Nome (grafia original):** [vide versão original em língua inglesa]

**Título:** Maulavi **Cargo:** Adido para a Educação, Consulado-geral Talibã, Peshawar, Paquistão **Data de nascimento:** 1970 **Local de nascimento:** província de Kunduz, Afeganistão **Também conhecido por, suficiente para identificação:** Akhtar Mohammad Maz-hari (como inserido anteriormente na lista) **Insuficiente para identificação:** — **Nacionalidade:** afegã **Passaporte n.º:** passaporte afegão n.º SE 012820, emitido em 4/11/2000 **N.º de identificação nacional:** — **Endereço:** Kushal Khan Mena, District Number 5, Cabul, Afeganistão **Data de inserção na lista:** 25/1/2001 (alterada em 3/9/2003, 25/7/2006, 18/7/2007, 21/9/2007, 23/11/2011) **Outras informações:** Pertence à tribo Popalzai. Revisão nos termos da Resolução n.º 1822 (2008) do Conselho de Segurança concluída em 27/7/2010.

**TI.M.23.01. Nome:** 1: FAZL MOHAMMAD 2: MAZLOOM 3: — 4: —

**Nome (grafia original):** [vide versão original em língua inglesa]

**Título:** Mullah **Cargo:** Vice-Chefe do Estado-Maior do regime talibã **Data de nascimento:** entre 1963 e 1968 **Local de nascimento:** Uruzgan, Afeganistão **Também conhecido por, suficiente para identificação:** a) Molah Fazl b) Fazel Mohammad Mazloom **Insuficiente para identificação:** — **Nacionalidade:** afegã **Passaporte n.º:** — **N.º de identificação nacional:** — **Endereço:** prisão da baía de Guantanamo **Data de inserção na lista:** 23/2/2001 (alterada em 3/9/2003, 21/9/2007, 3/10/2008, 31/12/2013) **Outras informações:** Sob custódia dos Estados Unidos da América em meados de 2013. Revisão nos termos da Resolução n.º 1822 (2008) do Conselho de Segurança concluída em 23/7/2010.

**TI.M.78.01. Nome:** 1: MOHAMMAD WALI 2: MOHAMMAD EWAZ 3: — 4: —

**Nome (grafia original):** [vide versão original em língua inglesa]

**Título:** Maulavi **Cargo:** Ministro do Ministério da Prevenção do Vício e da Propagação da Virtude durante o regime talibã, **Data de nascimento:** aproximadamente 1965 **Local de nascimento:** a) aldeia de Jelawur, distrito de Arghandab, província de Kandahar, Afeganistão b) aldeia de Siyachoy, distrito de Panjwai, província de Kandahar, Afeganistão **Também conhecido por, suficiente para identificação:** Mohammad Wali (como inserido anteriormente na lista) **Insuficiente para identificação:** — **Nacionalidade:** afegã **Passaporte n.º:** — **N.º de identificação nacional:** — **Endereço:** — **Data de inserção na lista:** 31/1/2001 (alterada em 3/9/2003, 21/9/2007, 29/11/2011, 13/8/2012, 31/12/2013) **Outras informações:** Alegadamente falecido em Dezembro de 2006 e enterrado no distrito de Panjwai, província de Kandahar, Afeganistão. Pertencia à tribo Ghilzai. Revisão nos termos da Resolução n.º 1822 (2008) do Conselho de Segurança concluída em 27/7/2010.

**TI.M.99.01. Nome:** 1: MOHAMMAD SHAFIQ 2: MOHAMMADI 3: — 4: —

**Nome (grafia original):** [*vide* versão original em língua inglesa]

**Título:** Maulavi **Cargo:** a) Governador da província de Khost durante o regime talibã b) Governador-geral das províncias de Paktia, Paktika, Khost e Ghazni durante o regime talibã **Data de nascimento:** aproximadamente 1948 **Local de nascimento:** distrito de Tirin Kot, província de Uruzgan, Afeganistão **Também conhecido por, suficiente para identificação:** — **Insuficiente para identificação:** — **Nacionalidade:** afegã **Passaporte n.º:** — **N.º de identificação nacional:** — **Endereço:** — **Data de inserção na lista:** 25/1/2001 (alterada em 3/9/2003, 21/9/2007, 29/11/2011, 31/12/2013) **Outras informações:** Supervisiona dois centros de treino militar dos Talibã desde meados de 2013. Pensa-se que se encontra na zona da fronteira Afeganistão/Paquistão. Pertence à tribo Hotak. Revisão nos termos da Resolução n.º 1822 (2008) do Conselho de Segurança concluída em 29/7/2010.

**TI.A.122.01. Nome:** 1: ABDUL MANAN 2: MOHAMMAD ISHAK 3: — 4: —

**Nome (grafia original):** [*vide* versão original em língua inglesa]

**Título:** Maulavi **Cargo:** a) Primeiro Secretário, Embaixada Talibã, Riade, Arábia Saudita b) Adido Comercial, Embaixada Talibã, Abu Dabi, Emirados Árabes Unidos **Data de nascimento:** 1940-1941 **Local de nascimento:** aldeia de Siyachoy, distrito de Panjwai, província de Kandahar, Afeganistão **Também conhecido por,**

**suficiente para identificação:** — **Insuficiente para identificação:** —  
**Nacionalidade:** afegã **Passaporte n.º:** — **N.º de identificação nacional:** —  
**Endereço:** — **Data de inserção na lista:** 25/1/2001 (alterada em 3/9/2003, 21/9/2007, 29/11/2011, 15/8/2012) **Outras informações:** Revisão nos termos da Resolução n.º 1822 (2008) do Conselho de Segurança concluída em 27/7/2010.

**TI.A.3.01. Nome:** 1: ABDUL KABIR 2: MOHAMMAD JAN 3: — 4: —

**Nome (grafia original):** [vide versão original em língua inglesa]

**Título:** Maulavi **Cargo:** a) Segundo Ministro-adjunto, Assuntos Económicos, Conselho de Ministros durante o regime talibã b) Governador da província de Nangarhar durante o regime talibã c) Chefe da parte oriental durante o regime talibã

**Data de nascimento:** aproximadamente 1963 **Local de nascimento:** distrito de Pul-e-Khumri ou distrito de Baghlan Jadid, província de Baghlan, Afeganistão **Também conhecido por, suficiente para identificação:** A. Kabir **Insuficiente para identificação:** —

**Nacionalidade:** afegã **Passaporte n.º:** — **N.º de identificação nacional:** — **Endereço:** — **Data de inserção na lista:** 25/1/2001 (alterada em 3/9/2003, 20/12/2005, 18/7/2007, 21/9/2007, 13/2/2012, 13/8/2012, 31/12/2013)

**Outras informações:** Participação activa em operações terroristas na parte oriental do Afeganistão. Recebe dinheiro de narcotraficantes. Pensa-se que se encontra na zona da fronteira Afeganistão/Paquistão. Membro do Conselho Supremo dos Talibã em 2009. A família é originária do distrito de Neka, província de Paktia, Afeganistão. Responsável pelo ataque a deputados afegãos, em Novembro de 2007, em Baghlan; é proprietário de terrenos na província de Baghlan central. Pertence à tribo Zadran. Revisão nos termos da Resolução n.º 1822 (2008) do Conselho de Segurança concluída em 23/7/2010.

**TI.H.141.01. Nome:** 1: ABDULLAH 2: HAMAD 3: MOHAMMAD KARIM 4: —

**Nome (grafia original):** [vide versão original em língua inglesa]

**Título:** Maulavi **Cargo:** Cônsul-geral, Consulado-geral Talibã, Quetta, Paquistão

**Data de nascimento:** 1972 **Local de nascimento:** aldeia de Darweshan, zona de Hazar Juft, distrito de Garmser, província de Helmand, Afeganistão **Também conhecido por, suficiente para identificação:** al-Hammad **Insuficiente para identificação:** —

**Nacionalidade:** afegã **Passaporte n.º:** passaporte afegão n.º

D 000857, emitido em 20/11/1997 **N.º de identificação nacional:** cartão nacional de identificação afegão (tazkira) n.º 300786 **Endereço:** — **Data de inserção na lista:** 25/1/2001 (alterada em 3/9/2003, 25/7/2006, 21/9/2007, 3/10/2008, 29/11/2011) **Outras informações:** Pensa-se que se encontra na zona da fronteira Afeganistão/Paquistão. Pertence à etnia Baloch. Revisão nos termos da Resolução n.º 1822 (2008) do Conselho de Segurança concluída em 29/7/2010.

**TI.S.126.01. Nome:** 1: MOHAMMAD 2: SARWAR 3: SIDDIQMAL  
4: MOHAMMAD MASOOD

**Nome (grafia original):** [*vide* versão original em língua inglesa]

**Título:** — **Cargo:** Terceiro Secretário, Embaixada Talibã, Islamabad, Paquistão  
**Data de nascimento:** 1963 **Local de nascimento:** distrito de Jani Khel, província de Paktia, Afeganistão **Também conhecido por, suficiente para identificação:** Mohammad Sarwar Siddiqmal (como inserido anteriormente na lista) **Insuficiente para identificação:** — **Nacionalidade:** afegã **Passaporte n.º:** — **N.º de identificação nacional:** Cartão afegão de identificação (tazkira) n.º 19657  
**Endereço:** — **Data de inserção na lista:** 25/1/2001 (alterada em 3/9/2003, 21/9/2007, 29/11/2011) **Outras informações:** Pertence à tribo Mangal. Revisão nos termos da Resolução n.º 1822 (2008) do Conselho de Segurança concluída em 29/7/2010.

**TI.M.52.01. Nome:** 1: MOHAMMAD YAQOUB 2: — 3: — 4: —

**Nome (grafia original):** [*vide* versão original em língua inglesa]

**Título:** Maulavi **Cargo:** Chefe da Agência de Informação Bakhtar (BIA) durante o regime talibã **Data de nascimento:** aproximadamente 1966 **Local de nascimento:** a) distrito de Shahjoi, província de Zabul, Afeganistão b) distrito de Janda, província de Ghazni, Afeganistão **Também conhecido por, suficiente para identificação:** — **Insuficiente para identificação:** — **Nacionalidade:** afegã **Passaporte n.º:** — **N.º de identificação nacional:** — **Endereço:** — **Data de inserção na lista:** 23/2/2001 (alterada em 3/9/2003, 21/9/2007, 29/11/2011, 1/6/2012, 31/12/2013) **Outras informações:** Membro da Comissão Cultural dos Talibã. Dirige uma “frente” talibã e coordena todas as actividades militares das forças talibã no distrito de Maiwand, província de Kandahar, Afeganistão desde meados de 2013. Pensa-se que se encontra na zona da fronteira Afeganistão/Paquistão. Pertence à tribo Kharoti

(Taraki). Revisão nos termos da Resolução n.º 1822 (2008) do Conselho de Segurança concluída em 23/7/2010.

**TI.M.26.01. Nome:** 1: AMIR KHAN 2: MOTAQI 3: — 4: —

**Nome (grafia original):** [vide versão original em língua inglesa]

**Título:** Mullah **Cargo:** a) Ministro da Educação durante o regime talibã b) Representante dos Talibã nas conversações conduzidas pela ONU durante o regime talibã **Data de nascimento:** aproximadamente 1968 **Local de nascimento:** a) distrito de Zurmat, província de Paktia, Afeganistão b) aldeia de Shin Kalai, distrito de Nad-e-Ali, província de Helmand, Afeganistão **Também conhecido por, suficiente para identificação:** Amir Khan Muttaqi **Insuficiente para identificação:** — **Nacionalidade:** afegã **Passaporte n.º:** — **N.º de identificação nacional:** — **Endereço:** — **Data de inserção na lista:** 25/1/2001 (alterada em 3/9/2003, 21/9/2007, 29/11/2011) **Outras informações:** Membro do Conselho Supremo dos Talibã em Junho de 2007. Pensa-se que se encontra na zona da fronteira Afeganistão/Paquistão. Pertence à tribo Sulaimankhel. Revisão nos termos da Resolução n.º 1822 (2008) do Conselho de Segurança concluída em 21/7/2010.

**TI.M.51.01. Nome:** 1: ABDULHAI 2: MOTMAEN 3: — 4: —

**Nome (grafia original):** [vide versão original em língua inglesa]

**Título:** Maulavi **Cargo:** a) Director do Departamento da Informação e Cultura na província de Kandahar durante o regime talibã b) Porta-voz do regime talibã **Data de nascimento:** aproximadamente 1973 **Local de nascimento:** a) aldeia de Shinkalai, distrito de Nad-e-Ali, província de Helmand, Afeganistão b) província de Zabul, Afeganistão **Também conhecido por, suficiente para identificação:** Abdul Haq filho de M. Anwar Khan ([grafia árabe]), passaporte afegão n.º OA462456, emitido em 31/1/2012 (11-11-1390) pelo Consulado-geral do Afeganistão em Peshawar, Paquistão **Insuficiente para identificação:** — **Nacionalidade:** afegã **Passaporte n.º:** passaporte afegão n.º OA462456, emitido em 31/1/2012, em nome de Abdul Haq **N.º de identificação nacional:** — **Endereço:** — **Data de inserção na lista:** 23/2/2001 (alterada em 3/9/2003, 21/9/2007, 29/11/2011, 31/12/2013, 16/5/2014) **Outras informações:** A família é originária de Zabul, mas instalou-se posteriormente em Helmand. Membro do Conselho Supremo dos Talibã e porta-voz de Mullah Mohammed Omar (TI.O.4.01) a partir de 2007. Pensa-se que se encontra

na zona da fronteira Afeganistão/Paquistão. Pertence à tribo Kharoti. Revisão nos termos da Resolução n.º 1822 (2008) do Conselho de Segurança concluída em 23/7/2010.

**TI.T.16.01. Nome:** 1: ALLAH DAD 2: TAYEB 3: WALI 4: MUHAMMAD

**Nome (grafia original):** [vide versão original em língua inglesa]

**Título:** a) Mullah b) Haji **Cargo:** Ministro-adjunto da Comunicação durante o regime talibã **Data de nascimento:** aproximadamente 1963 **Local de nascimento:** a) distrito de Ghorak, província de Kandahar, Afeganistão b) distrito de Nesh, província de Uruzgan, Afeganistão **Também conhecido por, suficiente para identificação:** a) Allah Dad Tayyab b) Allah Dad Tabeeb **Insuficiente para identificação:** — **Nacionalidade:** afegã **Passaporte n.º:** — **N.º de identificação nacional:** — **Endereço:** — **Data de inserção na lista:** 25/1/2001 (alterada em 3/9/2003, 18/7/2007, 21/9/2007, 29/11/2011, 18/5/2012) **Outras informações:** Pertence à tribo Popalzai. Revisão nos termos da Resolução n.º 1822 (2008) do Conselho de Segurança concluída em 29/7/2010.

**TI.H.73.01. Nome:** 1: MOHAMMAD 2: MOSLIM 3: HAQQANI 4: MUHAMMADI GUL

**Nome (grafia original):** [vide versão original em língua inglesa]

**Título:** Maulavi **Cargo:** a) Ministro-adjunto do Haj e Assuntos Religiosos durante o regime talibã b) Ministro-adjunto do Ensino Superior durante o regime talibã **Data de nascimento:** 1965 **Local de nascimento:** aldeia de Gawargan, distrito de Pul-e-Khumri, província de Baghlan, Afeganistão **Também conhecido por, suficiente para identificação:** Moslim Haqqani **Insuficiente para identificação:** — **Nacionalidade:** afegã **Passaporte n.º:** — **N.º de identificação nacional:** cartão afegão de identificação (tazkira) n.º 1136 **Endereço:** — **Data de inserção na lista:** 25/1/2001 (alterada em 3/9/2003, 18/7/2007, 21/9/2007, 3/10/2008, 29/11/2011, 31/12/2013) **Outras informações:** Membro da etnia Pashtun da província de Baghlan. Pensa-se que se encontra na zona da fronteira Afeganistão/Paquistão. Fala fluentemente inglês, urdu e árabe. Revisão nos termos da Resolução n.º 1822 (2008) do Conselho de Segurança concluída em 29/7/2010.



**TI.M.132.01. Nome:** 1: NAJIBULLAH 2: MUHAMMAD JUMA 3: — 4: —

**Nome (grafia original):** [*vide* versão original em língua inglesa]

**Título:** Maulavi **Cargo:** Cônsul-geral, Consulado-geral Talibã, Peshawar, Paquistão

**Data de nascimento:** 1958 **Local de nascimento:** zona de Zere Kohi, distrito de Shindand, província de Farah, Afeganistão

**Também conhecido por, suficiente para identificação:** — **Insuficiente para identificação:** Najib Ullah

**Nacionalidade:** afegã **Passaporte n.º:** passaporte afegão n.º 000737, emitido em 20/10/1996 **N.º de identificação nacional:** — **Endereço:** —

**Data de inserção na lista:** 25/1/2001 (alterada em 3/9/2003, 25/7/2006, 23/4/2007, 21/9/2007, 29/11/2011)

**Outras informações:** Membro do Conselho Militar dos Talibã em Peshawar em 2010. Pensa-se que se encontra na zona da fronteira Afeganistão/Paquistão. Revisão nos termos da Resolução n.º 1822 (2008) do Conselho de Segurança concluída em 21/7/2010.

**TI.N.44.01. Nome:** 1: HAMDULLAH 2: NOMANI 3: — 4: —

**Nome (grafia original):** [*vide* versão original em língua inglesa]

**Título:** Maulavi **Cargo:** a) Ministro do Ensino Superior durante o regime talibã b)

Presidente da Câmara da cidade de Cabul durante o regime talibã **Data de**

**nascimento:** aproximadamente 1968 **Local de nascimento:** aldeia de Sipayaw,

distrito de Andar, província de Ghazni, Afeganistão **Também conhecido por,**

**suficiente para identificação:** — **Insuficiente para identificação:** —

**Nacionalidade:** afegã **Passaporte n.º:** — **N.º de identificação nacional:** —

**Endereço:** — **Data de inserção na lista:** 23/2/2001 (alterada em 3/9/2003, 21/9/2007, 3/10/2008, 29/11/2011)

**Outras informações:** Membro do Conselho Supremo dos Talibã. Pensa-se que se encontra na zona da fronteira Afeganistão/Paquistão. Revisão nos termos da Resolução n.º 1822 (2008) do Conselho de Segurança concluída em 23/7/2010.

**TI.N.138.01. Nome:** 1: MOHAMMAD 2: ALEEM 3: NOORANI 4: —

**Nome (grafia original):** [*vide* versão original em língua inglesa]

**Título:** Mufti **Cargo:** Primeiro Secretário, Consulado-geral Talibã, Carachi,

Paquistão **Data de nascimento:** aproximadamente 1963 **Local de nascimento:**

província de Ghazni, Afeganistão **Também conhecido por, suficiente para**

**identificação:** — **Insuficiente para identificação:** — **Nacionalidade:** afegã

**Passaporte n.º:** — **N.º de identificação nacional:** — **Endereço:** — **Data de inserção na lista:** 25/1/2001 (alterada em 3/9/2003, 21/9/2007, 29/11/2011) **Outras informações:** Revisão nos termos da Resolução n.º 1822 (2008) do Conselho de Segurança concluída em 29/7/2010.

**TI.N.154.11. Nome:** 1: MALIK 2: NOORZAI 3: — 4: —

**Nome (grafia original):** [*vide* versão original em língua inglesa]

**Título:** Haji **Cargo:** — **Data de nascimento:** a) 1957 b) 1960 c) 1/1/1963 **Local de nascimento:** a) cidade fronteiriça de Chaman, Paquistão b) Pishin, província de Baluchistan, Paquistão **Também conhecido por, suficiente para identificação:** a) [grafia árabe] (Hajji Malik Noorzai; Hajji Malak Noorzai; Haji Malek Noorzai) b) Allah Muhammad **Insuficiente para identificação:** a) Haji Maluk b) Haji Aminullah **Nacionalidade:** afegã **Passaporte n.º:** passaporte paquistanês n.º FA0157612, emitido em 23/7/2009, válido até 22/7/2014, cancelado oficialmente em 2013, emitido em nome de Allah Muhammad **N.º de identificação nacional:** identificação nacional do Paquistão n.º 54201-247561-5, cancelado oficialmente em 2013 **Endereço:** a) Boghra Road, aldeia de Miralzei, Chaman, província de Baluchistan, Paquistão b) Kalay Rangin, distrito de Spin Boldak, província de Kandahar, Afeganistão **Data de inserção na lista:** 4/10/2011 (alterada em 29/11/2011, 1/6/2012, 11/2/2014) **Outras informações:** Financiador dos Talibã. Tem negócios no Japão e viaja frequentemente para o Dubai, Emirados Árabes Unidos e Japão. A partir de 2009, facilitou as actividades dos Talibã, nomeadamente, através do recrutamento e da prestação de apoio logístico. Pensa-se que se encontra na zona da fronteira Afeganistão/Paquistão. Pertence à tribo Noorzai. Irmão de Faizullah Khan Noorzai (TI.M.153.11.). Filiação paterna: Haji Akhtar Muhammad.

**TI.N.89.01. Nome:** 1: NURULLAH 2: NURI 3: — 4: —

**Nome (grafia original):** [*vide* versão original em língua inglesa]

**Título:** Maulavi **Cargo:** a) Governador da província de Balkh durante o regime talibã b) Chefe da zona norte durante o regime talibã **Data de nascimento:** a) aproximadamente 1958 b) 1/1/1967 **Local de nascimento:** distrito de Shahjoe, província de Zabul, Afeganistão **Também conhecido por, suficiente para identificação:** Norullah Noori **Insuficiente para identificação:** — **Nacionalidade:** afegã **Passaporte n.º:** — **N.º de identificação nacional:** — **Endereço:** prisão da

baía de Guantanamo **Data de inserção na lista:** 25/1/2001 (alterada em 3/9/2003, 21/9/2007, 29/11/2011, 31/12/2013) **Outras informações:** Sob custódia dos Estados Unidos da América desde meados de 2013. Pertence à tribo Tokhi. Revisão nos termos da Resolução n.º 1822 (2008) do Conselho de Segurança concluída em 29/7/2010.

**TI.N.97.01. Nome:** 1: ABDUL MANAN 2: NYAZI 3: — 4: —

**Nome (grafia original):** [vide versão original em língua inglesa]

**Título:** Mullah **Cargo:** a) Governador da província de Cabul durante o regime talibã b) Governador da província de Balk durante o regime talibã **Data de nascimento:** aproximadamente 1968 **Local de nascimento:** a) distrito de Pashtoon Zarghoon, província de Herat, Afeganistão b) aldeia de Sardar, distrito de Kohsan, província de Herat, Afeganistão **Também conhecido por, suficiente para identificação:** a) Abdul Manan Nayazi b) Abdul Manan Niazi **Insuficiente para identificação:** a) Baryaly b) Baryalai **Nacionalidade:** afegã **Passaporte n.º:** — **N.º de identificação nacional:** — **Endereço:** — **Data de inserção na lista:** 25/1/2001 (alterada em 3/9/2003, 18/7/2007, 21/9/2007, 12/4/2010, 29/11/2011, 13/2/2012, 31/12/2013) **Outras informações:** Membro dos Talibã responsável pelas províncias de Herat, Farah e Nimroz em meados de 2013. Membro do Conselho Supremo dos Talibã e Quetta Shura. Pensa-se que se encontra na zona da fronteira Afeganistão/Paquistão. Pertence à tribo Achekzai. Envolvido no transporte de terroristas suicidas para o Afeganistão. Revisão nos termos da Resolução n.º 1822 (2008) do Conselho de Segurança concluída em 23/7/2010.

**TI.N.166.13. Nome:** 1: AHMED SHAH 2: NOORZAI 3: OBAIDULLAH 4: —

**Nome (grafia original):** [vide versão original em língua inglesa]

**Título:** Mullah **Cargo:** — **Data de nascimento:** a) 1/1/1985 b) 1981 **Local de nascimento:** Quetta, Paquistão **Também conhecido por, suficiente para identificação:** a) Mullah Ahmed Shah Noorzai b) Haji Ahmad Shah c) Haji Mullah Ahmad Shah d) Maulawi Ahmed Shah e) Mullah Mohammed Shah **Insuficiente para identificação:** — **Nacionalidade:** — **Passaporte n.º:** passaporte paquistanês n.º NC5140251, emitido em 23/10/2009, válido até 22/10/2014, cancelado oficialmente em 2013 **N.º de identificação nacional:** cartão de identificação paquistanês n.º 54401-2288025-9, cancelado oficialmente em 2013 **Endereço:**

Quetta, Paquistão **Data de inserção na lista:** 26/2/2013 (alterada em 11/2/2014)  
**Outras informações:** É proprietário e explora o Roshan Money Exchange (TE.R.11.12). Prestou serviços financeiros a Ghul Agha Ishakzai (TI.I.147.10) e a outros Talibã na província de Helmand. Título alternativo: Maulavi.

**TI.O.88.01. Nome:** 1: ABDUL JABBAR 2: OMARI 3: — 4: —

**Nome (grafia original):** [*vide* versão original em língua inglesa]

**Título:** Maulavi **Cargo:** Governador da província de Baghlan durante o regime talibã **Data de nascimento:** aproximadamente 1958 **Local de nascimento:** província de Zabul, Afeganistão **Também conhecido por, suficiente para identificação:** — **Insuficiente para identificação:** a) Mullah Jabbar b) Muawin Jabbar **Nacionalidade:** afegã **Passaporte n.º:** — **N.º de identificação nacional:** — **Endereço:** — **Data de inserção na lista:** 23/2/2001 (alterada em 3/9/2003, 21/9/2007, 29/11/2011, 22/4/2013) **Outras informações:** Pertence à tribo Hottak. Revisão nos termos da Resolução n.º 1822 (2008) do Conselho de Segurança concluída em 1/6/2010.

**TI.O.42.01. Nome:** 1: MOHAMMAD IBRAHIM 2: OMARI 3: — 4: —

**Nome (grafia original):** [*vide* versão original em língua inglesa]

**Título:** Alhaj **Cargo:** Ministro-adjunto dos Assuntos das Fronteiras durante o regime talibã **Data de nascimento:** aproximadamente 1958 **Local de nascimento:** Garda Saray, distrito de Waza Zadran, província de Paktia, Afeganistão **Também conhecido por, suficiente para identificação:** Ibrahim Haqqani **Insuficiente para identificação:** — **Nacionalidade:** afegã **Passaporte n.º:** — **N.º de identificação nacional:** — **Endereço:** — **Data de inserção na lista:** 23/2/2001 (alterada em 3/9/2003, 21/9/2007, 29/7/2011, 29/11/2011) **Outras informações:** Irmão de Jalaluddin Haqqani (TI.A.40.01) Pensa-se que se encontra na zona da fronteira Afeganistão/Paquistão. Revisão nos termos da Resolução n.º 1822 (2008) do Conselho de Segurança concluída em 29/7/2010.

**TI.S.67.01. Nome:** 1: SHER MOHAMMAD ABBAS 2: STANEKZAI 3: PADSHAH KHAN 4: —

**Nome (grafia original):** [*vide* versão original em língua inglesa]

**Título:** Maulavi **Cargo:** a) Ministro-adjunto da Saúde Pública durante o regime talibã b) Ministro-adjunto dos Negócios Estrangeiros durante o regime talibã **Data de nascimento:** aproximadamente 1963 **Local de nascimento:** zona de Qala-e-Abbas, Shah Mazar, distrito de Baraki Barak, província de Logar, Afeganistão **Também conhecido por, suficiente para identificação:** — **Insuficiente para identificação:** — **Nacionalidade:** afegã **Passaporte n.º:** — **N.º de identificação nacional:** — **Endereço:** — **Data de inserção na lista:** 25/1/2001 (alterada em 3/9/2003, 21/9/2007, 29/11/2011) **Outras informações:** Pensa-se que se encontra na zona da fronteira Afeganistão/Paquistão. Revisão nos termos da Resolução n.º 1822 (2008) do Conselho de Segurança concluída em 29/7/2010.

**TI.T.58.01. Nome:** 1: NOORUDDIN 2: TURABI 3: MUHAMMAD 4: QASIM

**Nome (grafia original):** [vide versão original em língua inglesa]

**Título:** a) Mullah b) Maulavi **Cargo:** Ministro da Justiça durante o regime talibã **Data de nascimento:** a) aproximadamente 1963 b) aproximadamente 1955 c) 1956 **Local de nascimento:** a) distrito de Spin Boldak, província de Kandahar, Afeganistão b) distrito de Chora, província de Uruzgan, Afeganistão c) distrito de Dehrawood, província de Uruzgan, Afeganistão **Também conhecido por, suficiente para identificação:** Noor ud Din Turabi **Insuficiente para identificação:** Haji Karim **Nacionalidade:** afegã **Passaporte n.º:** — **N.º de identificação nacional:** — **Endereço:** — **Data de inserção na lista:** 25/1/2001 (alterada em 3/9/2003, 21/9/2007, 12/4/2010, 29/11/2011) **Outras informações:** Adjunto de Mullah Mohammed Omar (TI.O.4.01). Revisão nos termos da Resolução n.º 1822 (2008) do Conselho de Segurança concluída em 21/7/2010.

**TI.A.107.01. Nome:** 1: AMINULLAH 2: AMIN 3: QUDDUS 4: —

**Nome (grafia original):** [vide versão original em língua inglesa]

**Título:** Maulavi **Cargo:** Governador da província de Saripul durante o regime talibã **Data de nascimento:** aproximadamente 1973 **Local de nascimento:** aldeia de Loy Karez, distrito de Spin Boldak, província de Kandahar, Afeganistão **Também conhecido por, suficiente para identificação:** a) Muhammad Yusuf b) Aminullah Amin (como inserido anteriormente na lista) **Insuficiente para identificação:** — **Nacionalidade:** afegã **Passaporte n.º:** — **N.º de identificação nacional:** — **Endereço:** — **Data de inserção na lista:** 23/2/2001 (alterada em 3/9/2003,

21/9/2007, 29/11/2011) **Outras informações:** Membro do Conselho Supremo dos Talibã em 2011. Pertence à tribo Nurzai. Revisão nos termos da Resolução n.º 1822 (2008) do Conselho de Segurança concluída em 27/7/2010.

**TI.H.27.01. Nome:** 1: ABDUL SALAM 2: HANAFI 3: ALI MARDAN 4: QUL

**Nome (grafia original):** [vide versão original em língua inglesa]

**Título:** a) Mullah b) Maulavi **Cargo:** Ministro-adjunto da Educação durante o regime talibã **Data de nascimento:** aproximadamente 1968 **Local de nascimento:** a) distrito de Darzab, província de Faryab, Afeganistão b) distrito de Qush Tapa, província de Jawzjan, Afeganistão **Também conhecido por, suficiente para identificação:** a) Abdussalam Hanifi b) Hanafi Saheb **Insuficiente para identificação:** — **Nacionalidade:** afegã **Passaporte n.º:** — **N.º de identificação nacional:** — **Endereço:** — **Data de inserção na lista:** 23/2/2001 (alterada em 3/9/2003, 18/7/2007, 21/9/2007, 27/9/2007, 1/2/2008, 29/11/2011) **Outras informações:** Membro dos Talibã responsável pela província de Jawzjan no norte do Afeganistão até 2008. Envolvido no tráfico de droga. Pensa-se que se encontra na zona da fronteira Afeganistão/Paquistão. Revisão nos termos da Resolução n.º 1822 (2008) do Conselho de Segurança concluída em 1/6/2010.

**TI.R.157.12. Nome:** 1: FAZL 2: RABI 3: — 4: —

**Nome (grafia original):** [vide versão original em língua inglesa]

**Título:** — **Cargo:** Alto responsável na província de Konar durante o regime talibã **Data de nascimento:** a) 1972 b) 1975 **Local de nascimento:** a) distrito de Kohe Safi, província de Parwan, Afeganistão b) província de Kapisa, Afeganistão c) província de Nangarhar, Afeganistão d) província de Cabul, Afeganistão **Também conhecido por, suficiente para identificação:** a) Fazl Rabbi b) Fazal Rabi c) Faisal Rabbi **Insuficiente para identificação:** — **Nacionalidade:** afegã **Passaporte n.º:** — **N.º de identificação nacional:** — **Endereço:** — **Data de inserção na lista:** 6/1/2012 (alterada em 31/5/2013) **Outras informações:** Representa e presta apoio financeiro e logístico à Rede Haqqani (TE.H.12.12.), com base na zona de fronteira Afeganistão/Paquistão. Membro do Conselho Financeiro dos Talibã. Efectuou viagens para o estrangeiro a fim de angariar fundos por conta de Sirajuddin Jallaloudine Haqqani (TI.H.144.07.), de Jalaluddin Haqqani (TI.H.40.01), da Rede Haqqani e dos Talibã. Pensa-se que se encontra na zona da fronteira Afeganistão/Paquistão.

**TI.R.15.01. Nome:** 1: YAR MOHAMMAD 2: RAHIMI 3: — 4: —

**Nome (grafia original):** [vide versão original em língua inglesa]

**Título:** Mullah **Cargo:** Ministro da Comunicação durante o regime talibã **Data de nascimento:** aproximadamente 1953 **Local de nascimento:** aldeia de Taluqan, distrito de Panjwai, província de Kandahar, Afeganistão **Também conhecido por, suficiente para identificação:** — **Insuficiente para identificação:** — **Nacionalidade:** afegã **Passaporte n.º:** — **N.º de identificação nacional:** — **Endereço:** — **Data de inserção na lista:** 25/1/2001 (alterada em 3/9/2003, 21/9/2007, 29/11/2011) **Outras informações:** Membro do Conselho Supremo dos Talibã em 2009. Pensa-se que se encontra na zona da fronteira Afeganistão/Paquistão. Pertence à tribo Nurzai. Revisão nos termos da Resolução n.º 1822 (2008) do Conselho de Segurança concluída em 23/7/2010.

**TI.R.96.01. Nome:** 1: MOHAMMAD HASAN 2: RAHMANI 3: — 4: —

**Nome (grafia original):** [vide versão original em língua inglesa]

**Título:** Mullah **Cargo:** Governador da província de Kandahar durante o regime talibã **Data de nascimento:** aproximadamente 1963 **Local de nascimento:** a) distrito de Deh Rawud, província de Uruzgan, Afeganistão b) distrito de Chora, província de Uruzgan, Afeganistão c) distrito de Charchino, província de Uruzgan, Afeganistão **Também conhecido por, suficiente para identificação:** Gud Mullah Mohammad Hassan **Insuficiente para identificação:** — **Nacionalidade:** afegã **Passaporte n.º:** — **N.º de identificação nacional:** — **Endereço:** — **Data de inserção na lista:** 23/2/2001 (alterada em 3/9/2003, 21/9/2007, 29/11/2011, 31/12/2013) **Outras informações:** Tem a perna direita protética. Membro do Conselho Supremo dos Talibã desde meados de 2013, agindo na qualidade de adjunto de Mullah Mohammed Omar (TI.O.4.01) em Março de 2010. Pensa-se que se encontra na zona da fronteira Afeganistão/Paquistão. Pertence à tribo Achekzai. Revisão nos termos da Resolução n.º 1822 (2008) do Conselho de Segurança concluída em 23/7/2010.

**TI.R.84.01. Nome:** 1: HABIBULLAH 2: RESHAD 3: — 4: —

**Nome (grafia original):** [vide versão original em língua inglesa]

**Título:** Mullah **Cargo:** Chefe do Departamento de Investigação, Ministério da Segurança (Serviço de Informações) durante o regime talibã **Data de nascimento:**

entre 1968 e 1973 **Local de nascimento:** distrito de Waghaz, província de Ghazni, Afeganistão **Também conhecido por, suficiente para identificação:** — **Insuficiente para identificação:** — **Nacionalidade:** afegã **Passaporte n.º:** — **N.º de identificação nacional:** — **Endereço:** — **Data de inserção na lista:** 23/2/2001 (alterada em 3/9/2003, 21/9/2007, 29/11/2011) **Outras informações:** Chefe-adjunto (Serviço de Informações) do Conselho Militar de Quetta a partir de 2009. Pensa-se que se encontra na zona da fronteira Afeganistão/Paquistão. Revisão nos termos da Resolução n.º 1822 (2008) do Conselho de Segurança concluída em 23/7/2010.

**TI.S.108.01. Nome:** 1: ABDULHAI 2: SALEK 3: — 4: —

**Nome (grafia original):** [vide versão original em língua inglesa]

**Título:** Maulavi **Cargo:** Governador da província de Uruzgan durante o regime talibã **Data de nascimento:** aproximadamente 1965 **Local de nascimento:** aldeia de Awlyatak, zona de Gardan Masjid, distrito de Chaki Wardak, província de Maidan Wardak, Afeganistão **Também conhecido por, suficiente para identificação:** — **Insuficiente para identificação:** — **Nacionalidade:** afegã **Passaporte n.º:** — **N.º de identificação nacional:** — **Endereço:** — **Data de inserção na lista:** 23/2/2001 (alterada em 3/9/2003, 21/9/2007, 24/3/2009, 29/11/2011, 18/5/2012) **Outras informações:** Alegadamente falecido no norte do Afeganistão em 1999. Pertence à tribo Wardak. Revisão nos termos da Resolução n.º 1822 (2008) do Conselho de Segurança concluída em 27/7/2010.

**TI.S.110.01. Nome:** 1: NOOR MOHAMMAD 2: SAQIB 3: — 4: —

**Nome (grafia original):** [vide versão original em língua inglesa]

**Título:** — **Cargo:** Juiz Presidente do Supremo Tribunal durante o regime talibã **Data de nascimento:** aproximadamente 1958 **Local de nascimento:** a) distrito de Bagrami, província de Cabul, Afeganistão b) zona de Tarakhel, distrito de Deh Sabz, província de Cabul, Afeganistão **Também conhecido por, suficiente para identificação:** — **Insuficiente para identificação:** — **Nacionalidade:** afegã **Passaporte n.º:** — **N.º de identificação nacional:** — **Endereço:** — **Data de inserção na lista:** 25/1/2001 (alterada em 3/9/2003, 21/9/2007, 29/11/2011) **Outras informações:** Membro do Conselho Supremo dos Talibã e chefe do Comité Religioso dos Talibã. Pertence à tribo Ahmadzai. Revisão nos termos da Resolução n.º 1822 (2008) do Conselho de Segurança concluída em 23/7/2010.



**TI.S.87.01. Nome:** 1: SADUDDIN 2: SAYYED 3: — 4: —

**Nome (grafia original):** [*vide* versão original em língua inglesa]

**Título:** a) Maulavi b) Alhaj c) Mullah **Cargo:** a) Vice Ministro do Trabalho e dos Assuntos Sociais durante o regime talibã b) Presidente da Câmara da cidade de Cabul durante o regime talibã **Data de nascimento:** aproximadamente 1968 **Local de nascimento:** a) distrito de Chaman, Paquistão b) distrito de Spin Boldak, província de Kandahar, Afeganistão **Também conhecido por, suficiente para identificação:** a) Sadudin Sayed b) Sadruddin **Insuficiente para identificação:** — **Nacionalidade:** afegã **Passaporte n.º:** — **N.º de identificação nacional:** — **Endereço:** — **Data de inserção na lista:** 25/1/2001 (alterada em 3/9/2003, 21/9/2007, 3/10/2008, 29/11/2011, 31/12/2013) **Outras informações:** Consultor do Conselho Supremo dos Talibã desde meados de 2013. Pensa-se que se encontra na zona da fronteira Afeganistão/Paquistão. Pertence à tribo Barakzai. Revisão nos termos da Resolução n.º 1822 (2008) do Conselho de Segurança concluída em 21/7/2010.

**TI.S.133.01. Nome:** 1: ABDUL WALI 2: SEDDIQI 3: — 4: —

**Nome (grafia original):** [*vide* versão original em língua inglesa]

**Título:** Qari **Cargo:** Terceiro Secretário, Consulado-geral Talibã, Peshawar, Paquistão **Data de nascimento:** 1974 **Local de nascimento:** aldeia de Zilzilay, distrito de Andar, província de Ghazni, Afeganistão **Também conhecido por, suficiente para identificação:** — **Insuficiente para identificação:** — **Nacionalidade:** afegã **Passaporte n.º:** passaporte afegão n.º D 000769 emitido em 2/2/1997 **N.º de identificação nacional:** — **Endereço:** — **Data de inserção na lista:** 25/1/2001 (alterada em 3/9/2003, 25/7/2006, 21/9/2007, 29/11/2011) **Outras informações:** Pensa-se que se encontra na zona da fronteira Afeganistão/Paquistão. Revisão nos termos da Resolução n.º 1822 (2008) do Conselho de Segurança concluída em 29/7/2010.

**TI.S.98.01. Nome:** 1: ABDUL WAHED 2: SHAFIQ 3: — 4: —

**Nome (grafia original):** [*vide* versão original em língua inglesa]

**Título:** Maulavi **Cargo:** Governador-adjunto da província de Cabul durante o regime talibã **Data de nascimento:** aproximadamente 1968 **Local de nascimento:**

província de Nangarhar, Afeganistão **Também conhecido por, suficiente para identificação:** — **Insuficiente para identificação:** — **Nacionalidade:** afegã **Passaporte n.º:** — **N.º de identificação nacional:** — **Endereço:** — **Data de inserção na lista:** 23/2/2001 (alterada em 3/9/2003, 21/9/2007, 3/10/2008, 29/11/2011) **Outras informações:** Revisão nos termos da Resolução n.º 1822 (2008) do Conselho de Segurança concluída em 27/7/2010.

**TI.S.28.01. Nome:** 1: SAID AHMED 2: SHAHIDKHEL 3: — 4: —

**Nome (grafia original):** [vide versão original em língua inglesa]

**Título:** Maulavi **Cargo:** Ministro-adjunto da Educação durante o regime talibã **Data de nascimento:** aproximadamente 1975 **Local de nascimento:** aldeia de Spandeh (Espandi ‘Olya ), distrito de Andar, província de Ghazni, Afeganistão **Também conhecido por, suficiente para identificação:** — **Insuficiente para identificação:** — **Nacionalidade:** afegã **Passaporte n.º:** — **N.º de identificação nacional:** — **Endereço:** — **Data de inserção na lista:** 23/2/2001 (alterada em 3/9/2003, 20/12/2005, 21/9/2007, 29/11/2011, 31/12/2013) **Outras informações:** Em Julho de 2003 estava sob custódia em Cabul, Afeganistão. Libertado em 2007. Pensa-se que se encontra na zona da fronteira Afeganistão/Paquistão. Membro do Conselho de Liderança dos Talibã desde meados de 2013. Pertence à tribo Andar. Revisão nos termos da Resolução n.º 1822 (2008) do Conselho de Segurança concluída em 23/7/2010.

**TI.M.11.01. Nome:** 1: AKHTAR 2: MOHAMMAD 3: MANSOUR 4: SHAH MOHAMMED

**Nome (grafia original):** [vide versão original em língua inglesa]

**Título:** a) Maulavi b) Mullah **Cargo:** Ministro da Aviação Civil e dos Transportes durante o regime talibã **Data de nascimento:** a) aproximadamente 1960 b) 1966 **Local de nascimento:** aldeia de Band-e-Timur, distrito de Maiwand, província de Kandahar, Afeganistão **Também conhecido por, suficiente para identificação:** a) Akhtar Mohammad Mansour Khan Muhammad b) Akhtar Muhammad Mansoor c) Akhtar Mohammad Mansoor **Insuficiente para identificação:** Naib Imam **Nacionalidade:** afegã **Passaporte n.º:** passaporte afegão n.º SE-011697 emitido em 25/1/1988 em Cabul, caducado em 23/2/2000 **N.º de identificação nacional:** — **Endereço:** — **Data de inserção na lista:** 25/1/2001 (alterada em 3/9/2003,

18/7/2007, 21/9/2007, 1/2/2008, 29/11/2011) **Outras informações:** Envolvido no tráfico de droga a partir de 2011, principalmente através do Gerd-e-Jangal, Afeganistão. Activo nas províncias de Khost, Paktia e Paktika, no Afeganistão, a partir de Maio de 2007. “Governador” talibã de Kandahar a partir de Maio de 2007. Adjunto de Mullah Abdul Ghani Baradar (TI.B.24.01) no Conselho Supremo dos Talibã a partir de 2009. Oficial dos Talibã responsável por quatro províncias no sul do Afeganistão. A seguir à detenção de Mullah Baradar, em Fevereiro de 2010, teve temporariamente a seu cargo o Conselho Supremo dos Talibã. Pensa-se que se encontra na zona da fronteira Afeganistão/Paquistão. Pertence à tribo Ishaqzai. Revisão nos termos da Resolução n.º 1822 (2008) do Conselho de Segurança concluída em 21/7/2010.

**TI.S.103.01. Nome:** 1: SHAMSUDDIN 2: — 3: — 4: —

**Nome (grafia original):** [vide versão original em língua inglesa]

**Título:** a) Maulavi b) Qari **Cargo:** Governador da província de Wardak (Maidan) durante o regime talibã **Data de nascimento:** aproximadamente 1968 **Local de nascimento:** distrito de Keshim, província de Badakhshan, Afeganistão **Também conhecido por, suficiente para identificação:** Pahlawan Shamsuddin **Insuficiente para identificação:** — **Nacionalidade:** afegã **Passaporte n.º:** — **N.º de identificação nacional:** — **Endereço:** — **Data de inserção na lista:** 23/2/2001 (alterada em 3/9/2003, 21/9/2007, 29/11/2011, 31/12/2013) **Outras informações:** Pensa-se que se encontra na zona da fronteira Afeganistão/Paquistão/Irão. Revisão nos termos da Resolução n.º 1822 (2008) do Conselho de Segurança concluída em 23/7/2010.

**TI.H.118.01. Nome:** 1: HAMIDULLAH 2: AKHUND 3: SHER MOHAMMAD 4: —

**Nome (grafia original):** [vide versão original em língua inglesa]

**Título:** Mullah **Cargo:** Presidente da Ariana Afghan Airlines durante o regime talibã **Data de nascimento:** entre 1972 e 1973 **Local de nascimento:** a) aldeia de Sarpolad, distrito de Washer, província de Helmand, Afeganistão b) distrito de Arghandab, província de Kandahar, Afeganistão **Também conhecido por, suficiente para identificação:** a) Janat Gul b) Hamidullah Akhund (como inserido anteriormente na lista) **Insuficiente para identificação:** — **Nacionalidade:** afegã

**Passaporte n.º:** — **N.º de identificação nacional:** — **Endereço:** Afeganistão  
**Data de inserção na lista:** 25/1/2001 (alterada em 3/9/2003, 9/7/2007, 21/9/2007, 29/11/2011, 13/8/2012) **Outras informações:** Pertence à tribo Ghilzai. Revisão nos termos da Resolução n.º 1822 (2008) do Conselho de Segurança concluída em 21/7/2010.

**TI.Z.152.11. Nome:** 1: SANGEEN 2: ZADRAN 3: SHER MOHAMMAD 4: —

**Nome (grafia original):** [vide versão original em língua inglesa]

**Título:** a) Maulavi b) Mullah **Cargo:** — **Data de nascimento:** a) aproximadamente 1976 b) aproximadamente 1979 **Local de nascimento:** Tang Stor Khel, distrito de Ziruk, província de Paktika, Afeganistão **Também conhecido por, suficiente para identificação:** — **Insuficiente para identificação:** a) Sangin b) Sangin Zadran c) Sangeen Khan Zadran d) Sangeen e) Fateh f) Noori **Nacionalidade:** afegã **Passaporte n.º:** — **N.º de identificação nacional:** — **Endereço:** — **Data de inserção na lista:** 16/8/2011 (alterada em 13/8/2012, 18/10/2013) **Outras informações:** Governador sombra talibã da província de Paktika, desde finais de 2012. Comandante sénior da Rede Haqqani (TE.H.12.12). Primeiro-tenente de Sirajuddin Jallaloudine Haqqani (TI.H.144.07.). Grafia alternativa do título a): Maulvi. Pertence à tribo Kharoti. Alegadamente falecido em Setempro de 2013.

**TI.S.139.01. Nome:** 1: ABDUL GHAFAR 2: SHINWARI 3: — 4: —

**Nome (grafia original):** [vide versão original em língua inglesa]

**Título:** Haji **Cargo:** Terceiro Secretário, Consulado-geral Talibã, Carachi, Paquistão  
**Data de nascimento:** 29/3/1965 **Local de nascimento:** província de Nangarhar, Afeganistão **Também conhecido por, suficiente para identificação:** — **Insuficiente para identificação:** — **Nacionalidade:** afegã **Passaporte n.º:** passaporte afegão n.º D 000763, emitido em 9/1/1997 **N.º de identificação nacional:** — **Endereço:** — **Data de inserção na lista:** 25/1/2001 (alterada em 3/9/2003, 25/7/2006, 21/9/2007, 29/11/2011) **Outras informações:** Pensa-se que se encontra na zona da fronteira Afeganistão/Paquistão. Pertence à tribo Safi. Revisão nos termos da Resolução n.º 1822 (2008) do Conselho de Segurança concluída em 29/7/2010.

**TI.S.111.01. Nome:** 1: HAMDULLAH 2: SUNANI 3: — 4: —

**Nome (grafia original):** [vide versão original em língua inglesa]

**Título:** Maulavi **Cargo:** Chefe da Dar-ul-Efta (Departamento Fatwa) do Supremo Tribunal durante o regime talibã **Data de nascimento:** aproximadamente 1923 **Local de nascimento:** distrito de Dai Chopan, província de Zabul, Afeganistão **Também conhecido por, suficiente para identificação:** Sanani (como inserido anteriormente na lista) **Insuficiente para identificação:** — **Nacionalidade:** afegã **Passaporte n.º:** — **N.º de identificação nacional:** — **Endereço:** — **Data de inserção na lista:** 23/2/2001 (alterada em 3/9/2003, 21/9/2007, 29/11/2011) **Outras informações:** Alegadamente falecido em 2001. Pertencia à tribo Kakar. Revisão nos termos da Resolução n.º 1822 (2008) do Conselho de Segurança concluída em 27/7/2010.

**TI.T.75.01. Nome:** 1: ABDUL RAQIB 2: TAKHARI 3: — 4: —

**Nome (grafia original):** [vide versão original em língua inglesa]

**Título:** Maulavi **Cargo:** Ministro para o Repatriamento durante o regime talibã **Data de nascimento:** entre 1968 e 1973 **Local de nascimento:** aldeia de Zardalu Darra, distrito de Kalafgan, província de Takhar, Afeganistão **Também conhecido por, suficiente para identificação:** — **Insuficiente para identificação:** — **Nacionalidade:** afegã **Passaporte n.º:** — **N.º de identificação nacional:** — **Endereço:** — **Data de inserção na lista:** 25/1/2001 (alterada em 3/9/2003, 21/9/2007, 29/11/2011, 31/12/2013, 16/5/2014) **Outras informações:** Membro do Conselho Supremo dos Talibã responsável pelas províncias de Takhar e Badakhshan em Dezembro de 2009. Morte confirmada em 17 de Fevereiro em Peshawar, Paquistão; enterrado na província de Takhar, Afeganistão. Revisão nos termos da Resolução n.º 1822 (2008) do Conselho de Segurança concluída em 21/7/2010.

**TI.T.168.14. Nome:** 1: QARI 2: SAIFULLAH 3: TOKHI 4: —

**Nome (grafia original):** [vide versão original em língua inglesa]

**Título:** Qari **Cargo:** — **Data de nascimento:** aproximadamente 1964 **Local de nascimento:** aldeia de Daraz, distrito de Jaldak wa Tarnak, província de Zabul, Afeganistão **Também conhecido por, suficiente para identificação:** a) Qari Saifullah b) Qari Saifullah Al Tokhi c) Saifullah Tokhi **Insuficiente para identificação:** Qari Sahab **Nacionalidade:** afegã **Passaporte n.º:** — **N.º de**

**identificação nacional:** — **Endereço:** zona de Chalo Bawari, cidade de Quetta, província de Baluchistan, Paquistão **Data de inserção na lista:** 19/3/2014 (alterada em 16/5/2014) **Outras informações:** Pensa-se que se encontra na zona da fronteira Afeganistão/Paquistão. Vice-governador sombra Talibã e comandante operacional na província de Zabul, Afeganistão, responsável pela colocação de engenhos explosivos improvisados e pela organização de atentados suicidas. Descrição física: altura: 180 cm; peso: cerca de 90 kg; constituição: constituição atlética; cor de olhos: castanha; cor de cabelo: ruiva; tez: castanha média. Características físicas distintivas: rosto grande e redondo, barba cerrada, e coxear devido a uma prótese plástica na parte inferior da perna esquerda. Etnia: Pashtun; pertence à tribo Tokhi, subtribo Barkozai (ortografia alternativa da tribo: Torchi), Barkozai (ortografia alternativa da tribo: subtribo Bakorzai ([grafia árabe]), clã Kishta Barkorzai (Barkorzai inferior). Estado civil: casado. Filiação paterna: Agha Mohammad. Nome do irmão: Humdullah.

**TI.W.95.01. Nome:** 1: WALIJAN 2: — 3: — 4: —

**Nome (grafia original):** [*vide* versão original em língua inglesa]

**Título:** Maulavi **Cargo:** Governador da província de Jawzjan durante o regime talibã **Data de nascimento:** aproximadamente 1968 **Local de nascimento:** a) Quetta, Paquistão b) província de Nimroz, Afeganistão **Também conhecido por, suficiente para identificação:** — **Insuficiente para identificação:** — **Nacionalidade:** afegã **Passaporte n.º:** — **N.º de identificação nacional:** — **Endereço:** — **Data de inserção na lista:** 23/2/2001 (alterada em 3/9/2003, 21/9/2007, 29/11/2011) **Outras informações:** Membro dos Talibã Gerd-e-Jangal Shura e chefe do Comité dos Prisioneiros e Refugiados dos Talibã. Pertence à tribo Ishaqzai. Revisão nos termos da Resolução n.º 1822 (2008) do Conselho de Segurança concluída em 23/7/2010.

**TI.A.34.01. Nome:** 1: ABDUL JALIL 2: HAQQANI 3: WALI MOHAMMAD 4: —

**Nome (grafia original):** [*vide* versão original em língua inglesa]

**Título:** a) Maulavi b) Mullah **Cargo:** Ministro-adjunto dos Negócios Estrangeiros durante o regime talibã **Data de nascimento:** aproximadamente 1963 **Local de nascimento:** a) aldeia de Khwaja Malik, distrito de Arghandab, província de Kandahar, Afeganistão b) cidade de Kandahar, província de Kandahar, Afeganistão

**Também conhecido por, suficiente para identificação:** a) Abdul Jalil Akhund b) Akhter Mohamad filho de Noor Mohamad ([grafia árabe]), nascido em 1965 em Kandahar, Afeganistão, passaporte n.º OR1961825 emitido em 4/2/2003 pelo Consulado afegão em Quetta, Paquistão, caducado em 2/2/2006 c) Haji Gulab Gul filho de Haji Hazrat Gul ([grafia árabe]), nascido em 1955 em Logar, Afeganistão, passaporte n.º TR024417 emitido em 20/12/2003 pelo Departamento Central de Passaportes em Cabul, Afeganistão, caducado em 29/12/2006 d) Abdul Jalil Haqqani (como inserido anteriormente na lista) **Insuficiente para identificação:** Nazar Jan **Nacionalidade:** afegã **Passaporte n.º:** a) passaporte afegão n.º OR1961825, emitido em 4/2/2003 caducado em 2/2/2006 em nome de Akhter Mohamad b) passaporte afegão n.º TR024417, emitido em 20/12/2003 caducado em 29/12/2006 em nome de Haji Gulab Gul **N.º de identificação nacional:** — **Endereço:** — **Data de inserção na lista:** 25/1/2001 (alterada em 3/9/2003, 18/7/2007, 21/9/2007, 27/9/2007, 13/2/2012, 11/2/2013, 31/12/2013, 16/5/2014) **Outras informações:** Pensa-se que se encontra na zona da fronteira Afeganistão/Paquistão. Membro do Conselho Supremo dos Talibã a partir de Maio de 2007. Membro da Comissão Financeira do Conselho dos Talibã. Responsável pela logística para os Talibã e também um activo empresário a título pessoal, em meados de 2013. Pertence à tribo Alizai. Irmão de Atiqullah Wali Mohammad (T.I.A.70.01). Revisão nos termos da Resolução n.º 1822 (2008) do Conselho de Segurança concluída em 21/7/2010.

**T.I.A.70.01. Nome:** 1: ATIQULLAH 2: WALI MOHAMMAD 3: — 4: —

**Nome (grafia original):** [vide versão original em língua inglesa]

**Título:** a) Haji b) Mullah **Cargo:** a) Director de Relações Internacionais, província de Kandahar durante o regime Talibã, b) Director de Obras Públicas, província de Kandahar durante o regime Talibã, c) Vice-Ministro da Agricultura durante o regime Talibã, d) Ministro-adjunto das Obras Públicas durante o regime talibã **Data de nascimento:** aproximadamente 1962 **Local de nascimento:** a) distrito de Tirin Kot, província de Uruzgan, Afeganistão b) aldeia de Khwaja Malik, distrito de Arghandab, província de Kandahar, Afeganistão **Também conhecido por, suficiente para identificação:** Atiqullah (como inserido anteriormente na lista) **Insuficiente para identificação:** — **Nacionalidade:** afegã **Passaporte n.º:** — **N.º de identificação nacional:** — **Endereço:** — **Data de inserção na lista:** 31/1/2001 (alterada em 3/9/2003, 21/9/2007, 29/11/2011, 19/10/2012, 11/2/2013, 31/12/2013) **Outras informações:** Originariamente de Uruzgan, instalou-se e viveu

posteriormente em Kandahar. Foi membro da Comissão Política do Conselho Supremo dos Talibã em 2010. Não se lhe reconhece um papel específico no movimento talibã. Activo empresário a título pessoal desde meados de 2013. Pensa-se que se encontra na zona da fronteira Afeganistão/Paquistão. Pertence à tribo Alizai. Irmão de Abdul Jalil Haqqani Wali Mohammad (TI.A.34.01). Revisão nos termos da Resolução n.º 1822 (2008) do Conselho de Segurança concluída em 27/7/2010.

**TI.A.129.01. Nome:** 1: NAZIRULLAH 2: HANAFI 3: WALIULLAH 4: —

**Nome (grafia original):** [vide versão original em língua inglesa]

**Título:** a) Maulavi b) Haji **Cargo:** Adido Comercial, Embaixada Talibã, Islamabad, Paquistão **Data de nascimento:** 1962 **Local de nascimento:** distrito de Spin Boldak, província de Kandahar, Afeganistão **Também conhecido por, suficiente para identificação:** Nazirullah Aanafi Waliullah **Insuficiente para identificação:** — **Nacionalidade:** afegã **Passaporte n.º:** passaporte afegão n.º D 000912, emitido em 30/6/1998 **N.º de identificação nacional:** — **Endereço:** — **Data de inserção na lista:** 25/1/2001 (alterada em 3/9/2003, 25/7/2006, 18/7/2007, 21/9/2007, 3/10/2008, 29/11/2011) **Outras informações:** Pensa-se que se encontra na zona da fronteira Afeganistão/Paquistão. Revisão nos termos da Resolução n.º 1822 (2008) do Conselho de Segurança concluída em 21/7/2010.

**TI.W.82.01. Nome:** 1: ABDUL-HAQ 2: WASSIQ 3: — 4: —

**Nome (grafia original):** [vide versão original em língua inglesa]

**Título:** Maulavi **Cargo:** Ministro-adjunto da Segurança (Serviço de Informações) durante o regime talibã **Data de nascimento:** a) 1971 b) aproximadamente 1975 **Local de nascimento:** aldeia de Gharib, distrito de Khogyani, província de Ghazni, Afeganistão **Também conhecido por, suficiente para identificação:** a) Abdul-Haq Wasseq b) Abdul Haq Wasiq **Insuficiente para identificação:** — **Nacionalidade:** afegã **Passaporte n.º:** — **N.º de identificação nacional:** — **Endereço:** prisão da baía de Guantanamo **Data de inserção na lista:** 31/1/2001 (alterada em 3/9/2003, 21/9/2007, 3/10/2008, 29/11/2011, 31/12/2013, 11/2/2014) **Outras informações:** Sob custódia dos Estados Unidos da América em 2011. Revisão nos termos da Resolução n.º 1822 (2008) do Conselho de Segurança concluída em 27/7/2010.



**TI.A.85.01. Nome:** 1: AHMED JAN 2: AKHUNDZADA 3: WAZIR 4: —

**Nome (grafia original):** [vide versão original em língua inglesa]

**Título:** Maulavi **Cargo:** Ministro da Água e Electricidade durante o regime talibã

**Data de nascimento:** entre 1953 e 1958 **Local de nascimento:** a) província de Kandahar, Afeganistão b) distrito de Tirin Kot, província de Uruzgan, Afeganistão

**Também conhecido por, suficiente para identificação:** a) Haji Ahmad Jan b) Ahmed Jan Akhund (como inserido anteriormente na lista) **Insuficiente para**

**identificação:** — **Nacionalidade:** afegã **Passaporte n.º:** — **N.º de identificação**

**nacional:** — **Endereço:** — **Data de inserção na lista:** 25/1/2001 (alterada em 3/9/2003, 21/9/2007, 29/11/2011) **Outras informações:** Membro do Conselho

Militar Supremo dos Talibã em 2009. Pensa-se que se encontra na zona da fronteira Afeganistão/Paquistão. Revisão nos termos da Resolução n.º 1822 (2008) do Conselho de Segurança concluída em 21/7/2010.

**TI.W.39.01. Nome:** 1: MOHAMMAD JAWAD 2: WAZIRI 3: — 4: —

**Nome (grafia original):** [vide versão original em língua inglesa]

**Título:** — **Cargo:** Departamento da ONU, Ministério dos Negócios Estrangeiros durante o regime talibã **Data de nascimento:** aproximadamente 1960 **Local de**

**nascimento:** a) distrito de Jaghatu, província de Maidan Wardak, Afeganistão b) distrito de Sharana, província de Paktia, Afeganistão **Também conhecido por,**

**suficiente para identificação:** — **Insuficiente para identificação:** —

**Nacionalidade:** afegã **Passaporte n.º:** — **N.º de identificação nacional:** —

**Endereço:** — **Data de inserção na lista:** 23/2/2001 (alterada em 3/9/2003, 21/9/2007, 29/11/2011, 18/5/2012) **Outras informações:** Pensa-se que se encontra

na zona da fronteira Afeganistão/Paquistão. Pertence à tribo Wazir. Revisão nos termos da Resolução n.º 1822 (2008) do Conselho de Segurança concluída em 23/7/2010.

**TI.A.22.01. Nome:** 1: UBAIDULLAH 2: AKHUND 3: YAR MOHAMMAD AKHUND 4: —

**Nome (grafia original):** [vide versão original em língua inglesa]

**Título:** a) Mullah b) Hadji c) Maulavi **Cargo:** Ministro da Defesa durante o regime talibã

**Data de nascimento:** a) aproximadamente 1968 b) 1969 **Local de**

**nascimento:** a) aldeia de Sangisar, distrito de Panjwai, província de Kandahar,

Afeganistão **b)** distrito de Arghandab, província de Kandahar, Afeganistão **c)** zona de Nalgham, distrito de Zheray, província de Kandahar, Afeganistão **Também conhecido por, suficiente para identificação:** **a)** Obaidullah Akhund **b)** Obaid Ullah Akhund **Insuficiente para identificação:** — **Nacionalidade:** afegã **Passaporte n.º:** — **N.º de identificação nacional:** — **Endereço:** — **Data de inserção na lista:** 25/1/2001 (alterada em 3/9/2003, 18/7/2007, 21/9/2007, 29/11/2011, 18/5/2012, 31/12/2013) **Outras informações:** Foi um dos adjuntos de Mullah Mohammed Omar (TI.0.4.01) e membro do Conselho Supremo dos Talibã, encarregado das operações militares. Detido em 2007 e sob custódia no Paquistão. Morte confirmada em Março de 2010 e enterrado em Carachi, Paquistão. Ligação por via do casamento a Saleh Mohammad Kakar Akhtar Muhammad (TI.K.149.10). Pertence à tribo Alokozai. Revisão nos termos da Resolução n.º 1822 (2008) do Conselho de Segurança concluída em 21/7/2010.

**TI.Z.33.01. Nome:** 1: ABDUL RAHMAN 2: ZAHED 3: — 4: —

**Nome (grafia original):** [vide versão original em língua inglesa]

**Título:** Mullah **Cargo:** Ministro-adjunto dos Negócios Estrangeiros durante o regime talibã **Data de nascimento:** aproximadamente 1963 **Local de nascimento:** distrito de Kharwar, província de Logar, Afeganistão **Também conhecido por, suficiente para identificação:** Abdul Rehman Zahid **Insuficiente para identificação:** — **Nacionalidade:** afegã **Passaporte n.º:** — **N.º de identificação nacional:** — **Endereço:** — **Data de inserção na lista:** 25/1/2001 (alterada em 3/9/2003, 18/7/2007, 21/9/2007, 29/11/2011) **Outras informações:** Pensa-se que se encontra na zona da fronteira Afeganistão/Paquistão. Revisão nos termos da Resolução n.º 1822 (2008) do Conselho de Segurança concluída em 21/7/2010.

**TI.Z.127.01. Nome:** 1: MOHAMMAD 2: ZAHID 3: — 4: —

**Nome (grafia original):** [vide versão original em língua inglesa]

**Título:** Mullah **Cargo:** Terceiro Secretário, Embaixada Talibã, Islamabad, Paquistão **Data de nascimento:** 1971 **Local de nascimento:** província de Logar, Afeganistão **Também conhecido por, suficiente para identificação:** — **Insuficiente para identificação:** — **Nacionalidade:** afegã **Passaporte n.º:** passaporte afegão n.º D 001206, emitido em 17/7/2000 **N.º de identificação nacional:** — **Endereço:** — **Data de inserção na lista:** 25/1/2001 (alterada em

3/9/2003, 25/7/2006, 21/9/2007, 29/11/2011) **Outras informações:** Pensa-se que se encontra na zona da fronteira Afeganistão/Paquistão. Revisão nos termos da Resolução n.º 1822 (2008) do Conselho de Segurança concluída em 29/7/2010.

**TI.Z.164.12 Nome:** 1: ABDUL RAUF 2: ZAKIR 3: — 4: —

**Nome (grafia original):** [vide versão original em língua inglesa]

**Título:** Qari **Cargo:** — **Data de nascimento:** entre 1969 e 1971 **Local de nascimento:** província de Cabul, Afeganistão **Também conhecido por, suficiente para identificação:** Qari Zakir **Insuficiente para identificação:** — **Nacionalidade:** afegã **Passaporte n.º:** — **N.º de identificação nacional:** — **Endereço:** — **Data de inserção na lista:** 5/11/2012 (alterada em 31/5/2013) **Outras informações:** Chefe das operações suicidas da Rede Haqqani (TE.H.12.12.) chefiada por Sirajuddin Jallaloudine Haqqani (TI.H.144.07.) e responsável por todas as operações nas províncias de Cabul, Takhar, Kunduz e Baghlan. Supervisiona o treino de atacantes suicidas e fornece informações sobre como construir engenhos explosivos improvisados (IEDs).

**TI.M.153.11. Nome:** 1: FAIZULLAH 2: KHAN 3: NOORZAI 4: —

**Nome (grafia original):** [vide versão original em língua inglesa]

**Título:** Haji **Cargo:** — **Data de nascimento:** a) 1966 b) 1961 c) entre 1968 e 1970 d) 1962 **Local de nascimento:** a) Lowy Kariz, distrito de Spin Boldak, província de Kandahar, Afeganistão b) Kadanay, distrito de Spin Boldak, província de Kandahar, Afeganistão c) Chaman, província de Baluchistan, Paquistão **Também conhecido por, suficiente para identificação:** a) Haji Faizullah Noor b) Faizullah Noorzai Akhtar Mohammed Mira Khan, (como inserido anteriormente na lista) c) [grafia árabe] (Hajji Faizullah Khan Noorzai; Haji Faizuulah Khan Norezai; Haji Faizullah Khan; Haji Fiazullah) d) Haji Faizullah Noori **Insuficiente para identificação:** a) Haji Pazullah Noorzai b) Haji Mullah Faizullah **Nacionalidade:** afegã **Passaporte n.º:** — **N.º de identificação nacional:** — **Endereço:** a) Boghra Road, aldeia de Miralzei, Chaman, província de Baluchistan, Paquistão b) Kalay Rangin, distrito de Spin Boldak, província de Kandahar, Afeganistão **Data de inserção na lista:** 4/10/2011 (alterada em 29/11/2011, 1/6/2012) **Outras informações:** Destacado financiador dos Talibã. A partir de meados de 2009, forneceu armamento, munições, explosivos e equipamento médico aos combatentes

talibã; e angariou fundos para os Talibã, e prestou-lhes formação na zona da fronteira Afeganistão/Paquistão. Tinha anteriormente organizado e financiado operações dos Talibã na província de Kandahar, no Afeganistão. A partir de 2010, viajava para o Dubai, nos Emirados Árabes Unidos, e para o Japão e detinha negócios nestes países. Pertence à tribo Noorzai, sub-tribo Miralzai. Irmão de Malik Noorzai (TI.N.154.11.). Filiação paterna: Akhtar Mohammed (também conhecido por: Haji Mira Khan).

## **B. Entidades e outros grupos e empresas associados aos Talibã**

**TE.H.10.12. Nome:** HAJI KHAIRULLAH HAJI SATTAR MONEY EXCHANGE [Câmbios Haji Khairullah Haji Sattar]

**Nome (grafia original):** [*vide* versão original em língua inglesa]

**Também conhecida por:** **a)** Haji Khairullah-Haji Sattar Sarafi **b)** Haji Khairullah and Abdul Sattar and Company **c)** Haji Khairullah Money Exchange [Câmbios Haji Khairullah] **d)** Haji Khair Ullah Money Service [Serviços de Moeda Haji Khair Ullah] **e)** Haji Salam Hawala **f)** Haji Hakim Hawala **g)** Haji Alim Hawala **h)** Sarafi-yi Haji Khairullah Haji Satar Haji Esmatullah **Anteriormente conhecida por:** —

**Endereço:** **a)** Sucursal 1: i) Chohar Mir Road, Kandahari Bazaar, cidade de Quetta, província de Baluchistan, Paquistão; ii) Room number 1, Abdul Sattar Plaza, Hafiz Saleem Street, Munsafi Road, Quetta, província de Baluchistan, Paquistão iii) Shop number 3, Dr. Bano Road, Quetta, província de Baluchistan, Paquistão iv) Office number 3, perto de Fatima Jinnah Road, Dr. Bano Road, Quetta, província de Baluchistan, Paquistão v) Kachara Road, Nasrullah Khan Chowk, Quetta, província de Baluchistan, Paquistão vi) Wazir Mohammad Road, Quetta, província de Baluchistan, Paquistão; **b)** Sucursal 2: Peshawar, Khyber província de Paktunkhwa, Paquistão; **c)** Sucursal 3: Moishah Chowk Road, Lahore, província de Punjab, Paquistão; **d)** Sucursal 4: Carachi, província de Sindh, Paquistão; **e)** Sucursal 5: i) Larran Road number 2, Chaman, província de Baluchistan, Paquistão ii) Chaman Central Bazaar, Chaman, província de Baluchistan, Paquistão **f)** Sucursal 6: Shop number 237, Shah Zada Market (Também conhecido por Sarai Shahzada), zona de Puli Khishti, Police District 1, Cabul, Afeganistão, Tel.: +93-202-103386, +93-202-101714, 0202-104748, Telemóvel: +93-797-059059, +93-702-222222, e-mail: helmand\_exchange\_msp@yahoo.com **g)** Sucursal 7: i) Shops number 21 and 22, 2nd Floor, Kandahar City Sarafi Market, cidade de Kandahar, província de Kandahar, Afeganistão ii) New Sarafi Market, 2nd Floor, cidade de Kandahar, província de

Kandahar, Afeganistão iii) Safi Market, cidade de Kandahar, província de Kandahar, Afeganistão **h)** Sucursal 8: cidade de Gereshk, distrito de Nahr-e Saraj, província de Helmand, Afeganistão **i)** Sucursal 9: i) Lashkar Gah Bazaar, Lashkar Gah, distrito de Lashkar Gah, província de Helmand, Afeganistão ii) Haji Ghulam Nabi Market, 2nd Floor, distrito de Lashkar Gah, província de Helmand, Afeganistão **j)** Sucursal 10: i) Suite numbers 196-197, 3rd Floor, Khorasan Market, cidade de Herat, província de Herat, Afeganistão ii) Khorasan Market, Shahre Naw, distrito 5, cidade de Herat, província de Herat, Afeganistão **k)** Sucursal 11: i) Sarafi Market, distrito de Zaranj, província de Nimroz, Afeganistão ii) Ansari Market, 2nd Floor, província de Nimroz, Afeganistão **l)** Sucursal 12: Sarafi Market, Wesh, distrito de Spin Boldak, Afeganistão **m)** Sucursal 13: Sarafi Market, Farah, Afeganistão **n)** Sucursal 14: Dubai, Emirados Árabes Unidos **o)** Sucursal 15: Zahedan, Irão **p)** Sucursal 16: Zabul, Irão **Data de inserção na lista:** 29/6/2012 (alterada em 13/8/2012, 25/10/2012) **Outras informações:** N.º paquistanês de identificação fiscal: 1774308; n.º paquistanês de identificação fiscal: 0980338; n.º paquistanês de identificação fiscal: 3187777; licença afegã de prestação de serviços financeiros n.º: 044. A Haji Khairullah Haji Sattar Money Exchange foi utilizada pela liderança dos Talibã para transferir dinheiro para os comandantes talibã a fim de financiar os combatentes e as operações no Afeganistão a partir de 2011. Associada a Abdul Sattar Abdul Manan (TI.A.162.12.) e a Khairullah Barakzai Khudai Nazar (TI.K.163.12.).

**TE.H.12.12. Nome:** HAQQANI NETWORK (HQN) [Rede Haqqani]

**Nome (grafia original):** [vide versão original em língua inglesa]

**Também conhecida por:** — **Anteriormente conhecida por:** — **Endereço:** —

**Data de inserção na lista:** 5/11/2012 **Outras informações:** Rede dos combatentes talibã centrada ao longo da fronteira entre a província de Khost, Afeganistão, e o Waziristão do Norte, Paquistão. Fundada por Jalaluddin Haqqani (TI.H.40.01.) e actualmente chefiada pelo seu filho Sirajuddin Jallaloudine Haqqani (TI.H.144.07.). Outros dos seus membros inseridos na lista incluem Nasiruddin Haqqani (TI.H.146.10.), Sangeen Zadran Sher Mohammad (TI.Z.152.11.), Abdul Aziz Abbasin (TI.A.155.11.), Fazl Rabi (TI.R.157.12.), Ahmed Jan Wazir (TI.W.159.12.), Bakht Gul (TI.G.161.12.), Abdul Rauf Zakir (TI.Z.164.12.). Responsável por ataques suicidas e por assassínios selectivos, assim como por raptos, em Cabul e noutras províncias do Afeganistão. Com ligações à Al-Qaida (QE.A.4.01.), ao Movimento Islâmico do Usbequistão (QE.I.10.01.), ao Tehrik-e Taliban Paquistão

(QE.T.132.11.), ao Lashkar I Jhangvi (QE.L.96.03.), e ao Jaish-IMohammed (QE.J.19.01.).

**TE.R.13.12. Nome:** RAHAT LTD.

**Nome (grafia original):** [*vide* versão original em língua inglesa]

**Também conhecido por:** a) Rahat Trading Company [Empresa Comercial Rahat] b) Haji Muhammad Qasim Sarafi c) New Chagai Trading [Comércio New Chagai] d) Musa Kalim Hawala **Anteriormente conhecido por:** — **Endereço:** a) Sucursal 1: Room number 33, 5th Floor, Sarafi Market, cidade de Kandahar, província de Kandahar, Afeganistão b) Sucursal 2: Shop number 4, Azizi Bank, Haji Muhammad Isa Market, Wesh, Spin Boldak, província de Kandahar, Afeganistão c) Sucursal 3: Safaar Bazaar, distrito de Garmser, província de Helmand, Afeganistão d) Sucursal 4: Lashkar Gah, província de Helmand, Afeganistão e) Sucursal 5: distrito de Gereshk, província de Helmand, Afeganistão f) Sucursal 6: distrito de Zaranj, província de Nimroz, Afeganistão g) Sucursal 7: i) Dr Barno Road, Quetta, Paquistão ii) Haji Mohammed Plaza, Tol Aram Road, perto de Jamaluddin Afghani Road, Quetta, Paquistão iii) Kandahari Bazaar, Quetta, Paquistão h) Sucursal 8: Chaman, província de Baluchistan, Paquistão i) Sucursal 9: Chaghi Bazaar, Chaghi, província de Baluchistan, Paquistão j) Sucursal 10: Zahedan, província de Zabol, Irão **Data de inserção na lista:** 21/11/2012 (alterada em 27/6/2013) **Outras informações:** A Rahat Ltd. foi utilizada pela liderança dos Talibã para transferir fundos provenientes de doadores estrangeiros e do narcotráfico para financiar as actividades dos Talibã a partir de 2011 e 2012. Propriedade de Mohammed Qasim Mir Wali Khudai Rahim (TI.Q.165.12.). Também associada a Mohammad Naim Barich Khudaidad (TI.N.13.01.).

**TE.R.11.12. Nome:** ROSHAN MONEY EXCHANGE [Câmbios Roshan]

**Nome (grafia original):** [*vide* versão original em língua inglesa]

**Também conhecido por:** a) Roshan Sarafi b) Roshan Trading Company [Empresa Comercial Roshan] c) Rushaan Trading Company [Empresa Comercial Rushaan] d) Roshan Shirkat e) Maulawi Ahmed Shah Hawala f) Mullah Ahmed Shah Hawala g) Haji Ahmad Shah Hawala h) Ahmad Shah Hawala **Anteriormente conhecido por:** — **Endereço:** a) Sucursal 1: i) Shop number 1584, Furqan (variante Fahr Khan) Center, Chalhori Mal Road, Quetta, província de Baluchistan, Paquistão ii) Flat

number 4, Furqan Center, Jamaluddin Afghani Road, Quetta, província de Baluchistan, Paquistão iii) Office number 4, 2nd Floor, Muslim Plaza Building, Doctor Banu Road, Quetta, província de Baluchistan, Paquistão iv) Cholmon Road, Quetta, província de Baluchistan, Paquistão v) Munsafi Road, Quetta, província de Baluchistan, Paquistão vi) Shop number 1, 1st Floor, Kadari Place, Abdul Samad Khan Street (perto de Fatima Jena Road), Quetta, província de Baluchistan, Paquistão

**b) Sucursal 2:** i) Safar Bazaar, distrito de Garmser, província de Helmand, Afeganistão ii) Main Bazaar, Safar, província de Helmand, Afeganistão

**c) Sucursal 3:** i) Haji Ghulam Nabi Market, Lashkar Gah, província de Helmand, Afeganistão ii) Money Exchange Market, Lashkar Gah, província de Helmand, Afeganistão iii) Lashkar Gah Bazaar, província de Helmand, Afeganistão

**d) Sucursal 4:** Hazar Joft, distrito de Garmser, província de Helmand, Afeganistão

**e) Sucursal 5:** Ismat Bazaar, distrito de Marjah, província de Helmand, Afeganistão

**f) Sucursal 6:** Zaranj, província de Nimruz, Afeganistão

**g) Sucursal 7:** i) Suite number 8, 4th Floor, Sarafi Market, District number 1, cidade de Kandahar, província de Kandahar, Afeganistão ii) Shop number 25, 5th Floor, Sarafi Market, cidade de Kandahar, distrito de Kandahar, província de Kandahar, Afeganistão

**h) Sucursal 8:** cidade de Lakri, província de Helmand, Afeganistão

**i) Sucursal 9:** Gerd-e-Jangal, distrito de Chaghi, província de Baluchistan, Paquistão

**j) Sucursal 10:** Chaghi, distrito de Chaghi, província de Baluchistan, Paquistão

**k) Sucursal 11:** Aziz Market, em frente do Azizi Bank, Waish Border, distrito de Spin Boldak, província de Kandahar, Afeganistão

**Data de inserção na lista:** 29/6/2012 (alterada em 25/10/2012) **Outras informações:** A Roshan Money Exchange reúne e transfere fundos para apoiar as operações militares dos Talibã e o tráfico de narcóticos no Afeganistão. Propriedade de Ahmed Shah Noorzai Obaidullah (TI.N.166.13.).

## 第 51/2014 號行政長官公告

中華人民共和國於二零一零年九月二十八日以照會通知國際海事組織秘書長，一九八八年十一月十一日訂於倫敦的《1966年國際載重線公約1988年議定書》（下稱“1988年議定書”）自二零一零年十月十一日起適用於澳門特別行政區；

國際海事組織海上安全委員會於二零一二年十一月三十日透過第MSC.345 (91) 號決議通過了1988年議定書的修正案。根據1988年議定書第VI條第2款 (g) 項 (ii) 的規定及上指決議第3點所述，修正案於二零一四年七月一日對中華人民共和國生效，包括對澳門特別行政區生效；

基於此，行政長官根據澳門特別行政區第3/1999號法律第六條第一款的規定，命令公佈上指修正案的中文及英文正式文本。

二零一四年九月十日發佈。

行政長官 崔世安

## 第MSC.345 (91) 號決議

(2012年11月30日通過)

通過經修正的《1966年國際載重線公約》

1988年議定書修正案

海上安全委員會，

憶及國際海事組織公約第二十八條第(二)款關於本委員會的職能，

還憶及《1966年國際載重線公約》1988年議定書（以下稱“1988年載重線議定書”）第VI條關於修正程序的規定，

認識到有必要對油船、化學品船和氣體船破損穩性要求中初始裝載狀態和平衡狀態的應用進行進一步明確和統一，

在其九十一屆會議上審議了按1988年載重線議定書第VI/2 (a) 條提出和分發的1988年載重線議定書修正案，

1. 按1988年載重線議定書第VI/2 (d) 條規定，通過1988年載重線議定書修正案，其文本載於本決議附件；

2. 按1988年載重線議定書第VI/2 (f) (ii) (bb) 條規定，決定上述修正案須於2014年1月1日應視為已被接受，除非在此日期之前，有三分之一以上的1988年載重線議定書締約國或擁有

## Aviso do Chefe do Executivo n.º 51/2014

Considerando que a República Popular da China, por nota datada de 28 de Setembro de 2010, notificou o Secretário-Geral da Organização Marítima Internacional sobre a aplicação na Região Administrativa Especial de Macau, a partir de 11 de Outubro de 2010, do Protocolo de 1988 relativo à Convenção Internacional das Linhas de Carga, 1966, concluído em Londres, em 11 de Novembro de 1988, adiante designado por Protocolo de 1988;

Mais considerando que o Comité de Segurança Marítima da Organização Marítima Internacional, através da sua resolução MSC.345(91), de 30 de Novembro de 2012, adoptou emendas ao Protocolo de 1988 e que, nos termos da subalínea (ii) da alínea (g) do n.º 2 do artigo VI do Protocolo de 1988, e de acordo com o n.º 3 da referida resolução, tais emendas entram em vigor na República Popular da China, incluindo a Região Administrativa Especial de Macau, em 1 de Julho de 2014;

O Chefe do Executivo manda publicar, nos termos do n.º 1 do artigo 6.º da Lei n.º 3/1999 da Região Administrativa Especial de Macau, a resolução MSC.345(91), que contém as referidas emendas, nos seus textos autênticos em línguas chinesa e inglesa.

Promulgado em 10 de Setembro de 2014.

O Chefe do Executivo, *Chui Sai On*.

RESOLUTION MSC.345(91)  
(adopted on 30 November 2012)ADOPTION OF AMENDMENTS TO THE PROTOCOL  
OF 1988 RELATING TO THE INTERNATIONAL  
CONVENTION ON LOAD LINES, 1966, AS  
AMENDED

THE MARITIME SAFETY COMMITTEE,

RECALLING Article 28(b) of the Convention on the International Maritime Organization concerning the functions of the Committee,

RECALLING ALSO article VI of the Protocol of 1988 relating to the International Convention on Load Lines, 1966 (hereinafter referred to as the “1988 Load Lines Protocol”) concerning amendment procedures,

RECOGNIZING the need to improve clarity and standardize the application of damage stability requirements concerning initial conditions of loading and conditions of equilibrium for oil, chemical and gas tankers,

HAVING CONSIDERED, at its ninety-first session, amendments to the 1988 Load Lines Protocol proposed and circulated in accordance with paragraph 2(a) of article VI thereof,

1. ADOPTS, in accordance with paragraph 2(d) of article VI of the 1988 Load Lines Protocol, amendments to the 1988 Load Lines Protocol, the text of which is set out in the annex to the present resolution;

2. DETERMINES, in accordance with paragraph 2(f)(ii) (bb) of article VI of the 1988 Load Lines Protocol, that the said amendments shall be deemed to have been accepted on 1 January 2014, unless, prior to that date, more than one third



商船合計噸位數不少於世界商船總噸數50%的締約國通報其反對該修正案；

3. 提請各締約國注意，按1988年載重線議定書第VI/2 (g) (ii) 條規定，該修正案須在按上述2被接受後，於2014年7月1日生效；

4. 要求秘書長按1988年載重線議定書第VI/2 (e) 條規定，將核准無誤的本決議及其附件中修正案文本的副本分發給所有1988年載重線議定書締約國；

5. 還要求秘書長將本決議及其附件的副本分發給非1988年載重線議定書締約國的本組織成員。

#### 附件

經修正的《1966年國際載重線公約》1988年議定書

附則B修正案

附則I

載重線核定規則

第III章

乾舷

第27條——船舶類型

第27 (11) 條——初始裝載狀態

1 (b) (iv) 的第一句由下文替代：

“應考慮裝載每種消耗品及物料的液艙和處所的裝載量為船舶總容量的50%。”

2 在現有 (b) (iv) 後新增 (b) (v) 如下：

“(v) 壓載水艙通常應視為空艙，不應對其進行自由液面修正。”，

現有 (b) (v) 和 (b) (vi) 相應重新編號為 (b) (vi) 和 (b) (vii)。

3 重新編號為 (b) (vi) 的段落由下文替代：

“(vi) 在確定第27 (12) 條規定的破損所用的最終狀態時，可考慮選擇下述處理自由液面的方法：

(aa) 方法1 (適用於虛擬修正)。初始狀態的虛擬重心確定如下：

i. 應按 (i) 至 (iv) 確定裝載狀態；

of the Parties to the 1988 Load Lines Protocol or Parties the combined merchant fleets of which constitute not less than 50 per cent of the gross tonnage of all the merchant fleets of all Parties, have notified their objections to the amendments;

3. INVITES the Parties concerned to note that, in accordance with paragraph 2(g)(ii) of article VI of the 1988 Load Lines Protocol, the amendments shall enter into force on 1 July 2014 upon their acceptance in accordance with paragraph 2 above;

4. REQUESTS the Secretary-General, in conformity with paragraph 2(e) of article VI of the 1988 Load Lines Protocol, to transmit certified copies of the present resolution and the text of the amendments contained in the annex to all Parties to the 1988 Load Lines Protocol;

5. ALSO REQUESTS the Secretary-General to transmit copies of this resolution and its annex to Members of the Organization, which are not Parties to the 1988 Load Lines Protocol.

#### ANNEX

AMENDMENTS TO ANNEX B TO THE PROTOCOL OF 1988 RELATING TO THE INTERNATIONAL CONVENTION ON LOAD LINES, 1966, AS AMENDED

#### ANNEX I

Regulations for determining load lines

#### Chapter III

Freeboards

Regulation 27 – Types of ships

Regulation 27(11) – Initial condition of loading

1 The first sentence of paragraph (b)(iv) is replaced by the following:

“50 per cent of the ship’s total capacity of tanks and spaces fitted to contain each type of consumables and stores is allowed for.”

2 After the existing paragraph (b)(iv), a new paragraph (b)(v) is inserted as follows:

“(v) Ballast water tanks shall normally be considered to be empty and no free surface correction shall be made for them.”,

and the existing paragraphs (b)(v) and (b)(vi) are renumbered as (b)(vi) and (b)(vii), accordingly.

3 The renumbered paragraph (b)(vi) is replaced by the following:

“(vi) Alternative treatment for free surface may be considered when developing the final condition for application of damage specified in regulation 27(12):

(aa) Method 1 (appropriate to virtual corrections). The virtual centre of gravity for the initial condition is determined as follows:

i. the loading condition shall be developed in accordance with paragraphs (i) to (iv);

- ii. 自由液面的修正計入重心高度；
- iii. 使用上述裝載狀態下的重心高度，生成一個在夏季載重線吃水水平縱傾時所有艙櫃為空的虛擬初始狀態；和
- iv. 使用上述初始狀態核查破損情況是否符合破損穩性衡準。

(bb) 方法2（適用於按破損情況下假定的液艙所裝載液體使用實際自由液面力矩）。初始狀態的虛擬重心確定如下：

- i. 應按 (i) 至 (iv) 確定裝載狀態；
- ii. 使用夏季載重線吃水水平縱傾時生成的艙櫃有裝載的初始虛擬狀態，可為每種破損情況生成一個在夏季載重線吃水水平縱傾時艙櫃裝載液體的虛擬初始狀態。使用上述裝載狀態的重心高度和自由液面修正時，對每種破損情況分別進行計算，破損前僅有擬破損的裝載液體的艙櫃為空艙；和
- iii. 使用上述初始狀態核查破損情況是否符合破損穩性衡準（每種破損情況對應一個初始狀態）。”

#### 第27(13)條——平衡狀態

4 在現有 (f) 後新增 (g) 如下：

“(g) 不要求使用穩性儀、穩性軟件或其他認可方法證明船舶在營運裝載狀態下符合上述 (a)、(c)、(d) 和 (e) 規定的剩餘穩性衡準。”

#### 第 52/2014 號行政長官公告

中華人民共和國於二零零五年六月十七日以照會通知國際海事組織秘書長，一九八八年十一月十一日訂於倫敦的《1974年國際海上人命安全公約》1988年議定書（下稱“議定書”）適用於澳門特別行政區；

國際海事組織海上安全委員會於二零一二年十一月三十日透過第MSC.344(91)號決議通過了議定書的修正案，該修正案自二零一四年七月一日起在澳門特別行政區生效；

基於此，行政長官根據澳門特別行政區第3/1999號法律第六條第一款的規定，命令公佈包含上指修正案的MSC.344(91)號決議中文及英文正式文本。

二零一四年九月十二日發佈。

行政長官 崔世安

ii. the correction for the free surfaces is added to the vertical centre of gravity;

iii. one virtual initial condition with all compartments empty is generated on summer load line draught with level trim, using the vertical centre of gravity from the above loading condition; and

iv. the damage cases will be checked for compliance with the damage stability criteria using the above initial condition.

(bb) Method 2 (appropriate to the use of actual free surface moments according to the assumed tank fillings for damage case). The virtual centre of gravity for the initial condition is determined as follows:

i. the loading condition shall be developed in accordance with paragraphs (i) to (iv);

ii. one virtual initial condition for each damage case with liquid-filled compartments may be generated on summer load line draught with level trim, using the initial virtual condition with filled compartments generated on summer load line draught with level trim. Using the vertical centre of gravity and free surface correction from the above loading condition separate calculations for each damage case are performed, only the liquid-filled compartments to be damaged are left empty before damage; and

iii. the damage cases will be checked for compliance with the damage stability criteria using above initial conditions (one initial condition for each damage case).”

#### Regulation 27(13) – Condition of equilibrium

4 A new paragraph (g) is added after the existing paragraph (f), as follows:

“(g) Compliance with the residual stability criteria specified in paragraphs (a), (c), (d) and (e) above is not required to be demonstrated in service loading conditions using a stability instrument, stability software or other approved method.”

#### Aviso do Chefe do Executivo n.º 52/2014

Considerando que a República Popular da China, por nota datada de 17 de Junho de 2005, notificou o Secretário-Geral da Organização Marítima Internacional sobre a aplicação na Região Administrativa Especial de Macau do Protocolo de 1988 relativo à Convenção Internacional para a Salvaguarda da Vida Humana no Mar de 1974, concluído em Londres, em 11 de Novembro de 1988, adiante designado por Protocolo;

Considerando igualmente que, em 30 de Novembro de 2012, o Comité de Segurança Marítima da Organização Marítima Internacional, através da resolução MSC.344(91), adoptou emendas ao Protocolo, e que tais emendas produziram efeitos na Região Administrativa Especial de Macau a partir de 1 de Julho de 2014;

O Chefe do Executivo manda publicar, nos termos do n.º 1 do artigo 6.º da Lei n.º 3/1999 da Região Administrativa Especial de Macau, a resolução MSC.344(91) que contém as referidas emendas, nos seus textos autênticos em línguas chinesa e inglesa.

Promulgado em 12 de Setembro de 2014.

O Chefe do Executivo, *Chui Sai On*.

## 第 MSC.344 (91) 號決議

(2012 年 11 月 30 日通過)

### 《1974 年國際海上人命安全公約》1988 年議定書 修正案

海上安全委員會，

憶及《國際海事組織公約》關於本委員會職能的第二十八條第(二)款，

還憶及《1974 年國際海上人命安全公約》(以下稱“本公約”)第 VIII (b) 條和本公約 1988 年議定書(以下稱《1988 年安全公約議定書》)第 VI 條關於《1988 年安全公約議定書》修正程序的規定，

認識到有必要使《1988 年安全公約議定書》附錄中的證書格式與本公約與《1978 年安全公約議定書》的證書格式保持一致，

在其第九十一屆會議上，審議了按本公約第 VIII (b) (i) 條以及《1988 年安全公約議定書》第 VI 條提出和分發的《1988 年安全公約議定書》修正案，

1. 按照本公約第 VIII (b) (iv) 條以及《1988 年安全公約議定書》第 VI 條，通過《1988 年安全公約議定書》附則附錄的修正案，其文本載於本決議附件中；

2. 按照本公約第 VIII (b) (vi) (2) (bb) 條和《1988 年安全公約議定書》第 VI 條，決定上述修正案須在 2014 年 1 月 1 日視為已被接

受，除非在此日期之前，有三分之一以上的《1988 年安全公約議定書》締約國政府或擁有商船合計噸位不少於世界商船總噸位 50% 的締約國政府表示反對該修正案；

3. 請各締約國政府注意，按照本公約第 VIII(b)(vii)(2) 條和《1988 年安全公約議定書》第 VI 條，該修正案須在按上述第 2 段被接受後，於 2014 年 7 月 1 日生效；

4. 要求秘書長遵照本公約第 VIII(b)(v) 條和《1988 年安全公約議定書》第 VI 條，將本決議及其附件中的修正案文本的核證無誤副本分發給所有《1988 年安全公約議定書》締約國政府；

5. 還要求秘書長將本決議及其附件的副本分發給非《1988 年安全公約議定書》締約國的本組織會員國。

附件

經修正的《1974年國際海上人命安全公約》

1988年議定書修正案

附件

《1974年國際海上人命安全公約》附則的修改和增加

附錄

《1974年國際海上人命安全公約》

附則附錄的修改和增加

附則附錄中的所有證書格式和設備記錄由如下替代：

# 客船安全證書格式

## 客船安全證書

本證書須附有客船安全的設備記錄（格式 P）

（公章）

（國家）

供國際航行/短程國際航行<sup>1</sup>用。

根據\_\_\_\_\_政府授權，

（國名）

由\_\_\_\_\_

（經授權的人員或組織）

按照經《1988 年議定書》修訂的

《1974 年國際海上人命安全公約》的規定簽發

### 船舶資料<sup>2</sup>

船名 .....

船舶編號或呼號 .....

船籍港 .....

總噸位 .....

核准船舶營運的海區（第 IV/2 條） .....

IMO 編號 .....

建造日期：

    建造合同日期 .....

    安放龍骨或處於類似建造階段的日期 .....

交船日期.....

重大改建或改裝或改造工作開始的日期（如適用）.....

須填寫所有適用日期。

**茲證明：**

1 該船業已按公約第 I/7 條的要求進行了檢驗。

2 檢驗表明：

2.1 該船在以下方面符合公約的要求：

- .1 結構、主機和輔機、鍋爐及其他壓力容器；
- .2 水密分艙佈置及細節；
- .3 下列分艙載重線：

核定並劃於船中兩舷的分艙載重線（第II-1/18條） <sup>3</sup>	乾舷	當載客處所包括下列備用處所在內時適用
P1	.....	.....
P2	.....	.....
P3	.....	.....

2.2 該船在結構防火、消防安全系統和設備及防火控制圖方面符合公約的要求；

2.3 該船已按照公約要求配備了救生設備和救生艇、救生筏及救助艇用屬具；

2.4 該船已按照公約要求配備了在救生設備中使用的拋繩設備和無線電裝置；

2.5 該船在無線電裝置方面符合公約的要求；

2.6 該船救生設備中使用的無線電裝置的功能符合公約的要求；

2.7 該船在船載航行設備、引航員登船設施及航海出版物方面符合公



約的要求；

2.8 該船根據公約及現行《國際海上避碰規則》的要求配備了航行燈、號型以及發出聲響信號和遇險信號的設備；

2.9 該船所有其他方面均符合公約的有關要求；

2.10 船舶有/沒有<sup>1</sup>按照公約第 II-1/55 / II-2/17 / III/38<sup>1</sup>條經過替代設計和佈置；

2.11 機電設備/防火/救生設備和裝置<sup>1</sup>的替代設計和佈置的批准文件附於/沒有<sup>1</sup>附於本證書之後。

3 已經/沒有<sup>1</sup>簽發免除證書。

本證書有效期限至.....止。

本證書所依據的檢驗的完成日期：.....（年/月/日）

簽發於 .....

（簽發證書的地點）

.....

（簽發日期）

.....

（經授權發證的官員簽字）

（發證機關蓋章或鋼印）

**換證檢驗業已完成而且第 I/14 (d) 條適用的簽註**

該船符合公約的有關要求，按照公約第 I/14 (d) 條，須承認本證書為有效，本證書有效期至.....止。

簽字：.....

(經授權的官員簽字)

地點：.....

日期：.....

(簽註機關蓋章或鋼印)

**第 I/14 (e) 條或第 I/14 (f) 條適用的、將證書有效期展延至駛抵進行檢驗的港口或給予寬限期的簽註**

按照公約第 I/14 (e) / I/14 (f) 條<sup>1</sup>，須承認本證書為有效，有效期至.....止。

簽字：.....

(經授權的官員簽字)

地點：.....

日期：.....

(簽註機關蓋章或鋼印)

<sup>1</sup> 酌情刪除。

<sup>2</sup> 船舶資料也可在表格中橫向排列。

<sup>3</sup> 對於 2009 年 1 月 1 日以前建造的船舶，應使用適用的分艙標誌“C.1、C.2 和 C.3”。

### 貨船構造安全證書格式

#### 貨船構造安全證書

(公章)

(國家)

根據 \_\_\_\_\_ 政府授權，

(國名)

由 \_\_\_\_\_

(經授權的人員或組織)

按照經《1988年議定書》修訂的  
《1974年國際海上人命安全公約》的規定簽發

#### 船舶資料<sup>1</sup>

船名 .....

船舶編號或呼號 .....

船籍港 .....

總噸位 .....

載重量 (公噸)<sup>2</sup> .....

IMO 編號 .....

#### 船型<sup>3</sup>

散貨船

油船

化學品液貨船

氣體運輸船

上述船型以外的貨船

**建造日期：**

建造合同日期 .....

安放龍骨或處於類似建造階段的日期 .....

交船日期 .....

重大改建或改裝或改造工作開始的日期（如適用） .....

須填寫所有適用日期。

**茲證明：**

- 1 該船業已按公約第 I/10 條的要求進行了檢驗。
- 2 該檢驗表明上述條款所界定的結構、輪機及設備的狀況令人滿意，並且該船符合公約第 II-1 章和第 II-2 章的有關要求（有關消防安全系統和設備及防火控制圖者除外）。
- 3 最近兩次的船底外部檢查已於 .....和 .....進行（日期）。
- 4 已經/沒有<sup>3</sup>簽發免除證書。
- 5 船舶有/沒有<sup>3</sup>按照公約第 II-1/55 / II-2/17<sup>3</sup>條經過替代設計和佈置。
- 6 輪機和電氣設備/防火<sup>3</sup>的替代設計和佈置的批准文件附於/沒有附於<sup>3</sup>本證書之後。

本證書有效期限至 .....止。<sup>4</sup>但應視公約第 I/10 條規定的年度檢驗和中間檢驗以及船底外部檢查情況而定。

本證書所依據的檢驗的完成日期： .....（年/月/日）

簽發於 .....

（簽發證書的地點）

.....

（簽發日期）

（經授權發證的官員簽字）

（發證機關蓋章或鋼印）

### 年度檢驗和中間檢驗的簽註

茲證明，公約第 I/10 條要求的檢驗證實該船符合公約的有關要求。

年度檢驗： 簽字：.....  
(經授權的官員簽字)

地點：.....

日期：.....

(簽註機關蓋章或鋼印)

年度/中間<sup>3</sup>檢驗： 簽字：.....  
(經授權的官員簽字)

地點：.....

日期：.....

(簽註機關蓋章或鋼印)

年度/中間<sup>3</sup>檢驗： 簽字：.....  
(經授權的官員簽字)

地點：.....

日期：.....

(簽註機關蓋章或鋼印)

年度檢驗： 簽字：.....  
(經授權的官員簽字)

地點：.....

日期：.....

(簽註機關蓋章或鋼印)

**按照第 I/14 (h) (iii) 條進行的年度/中間檢驗**

茲證明，按照公約第 I/14 (h) (iii) 條進行的年度/中間<sup>3</sup> 檢驗證實該船符合公約的有關要求。

簽字：.....

(經授權的官員簽字)

地點：.....

日期：.....

(簽註機關蓋章或鋼印)

**船底外部檢查的簽註<sup>5</sup>**

茲證明，公約第 I/10 條要求的檢查證實該船符合公約的有關要求。

第一次檢查：

簽字：.....

(經授權的官員簽字)

地點：.....

日期：.....

(簽註機關蓋章或鋼印)

第二次檢查：

簽字：.....

(經授權的官員簽字)

地點：.....

日期：.....

(簽註機關蓋章或鋼印)

**第 I/14 (c) 條適用的、有效期短於 5 年的證書的展期簽註**

該船符合公約的有關要求，根據按照公約第 I/14 (c) 條，須承認本證書為有效，有效期至.....止。

簽字：.....

(經授權的官員簽字)

地點：.....

日期：.....

(簽註機關蓋章或鋼印)

**換證檢驗業已完成而且第 I/14 (d) 條適用的簽註**

該船符合公約的有關要求，根據公約第 I/14 (d) 條，須承認本證書為有效，有效期至.....止。

簽字：.....

(經授權的官員簽字)

地點：.....

日期：.....

(簽註機關蓋章或鋼印)



**第 I/14 (e) 條或第 I/14 (f) 條適用的、將證書有效期展延至駛抵進行檢驗的港口或給予寬限期的簽註**

根據公約第 I/14 (e) / I/14 (f) 條<sup>3</sup>，須承認本證書為有效，有效期至.....止。

簽字：.....

(經授權的官員簽字)

地點：.....

日期：.....

(簽註機關蓋章或鋼印)

**第 I/14 (h) 條適用的、將周年日提前的簽註**

根據公約第 I/14 (h) 條，新的周年日為.....。

簽字：.....

(經授權的官員簽字)

地點：.....

日期：.....

(簽註機關蓋章或鋼印)

根據公約第 I/14 (h) 條，新的周年日為.....。

簽字：.....

(經授權的官員簽字)

地點：.....

日期：.....

(簽註機關蓋章或鋼印)

<sup>1</sup> 船舶資料也可在表格中橫向排列。

<sup>2</sup> 僅適用於油船、化學品液貨船和氣體運輸船。

<sup>3</sup> 酌情刪除。

<sup>4</sup> 填入主管機關按照公約第 I/14 (a) 條規定的失效日期。該日期如未按照公約第 I/14 (h) 條予以修正，其月、日相當於第 I/2 (n) 條界定的周年日。

<sup>5</sup> 可規定進行附加檢查。

### 貨船設備安全證書格式

## 貨船設備安全證書

本證書須附有貨船安全的設備記錄（格式 E）

（公章）

（國家）

根據 \_\_\_\_\_ 政府授權，

（國名）

由 \_\_\_\_\_

（經授權的人員或組織）

按照經《1988 年議定書》修訂的  
《1974 年國際海上人命安全公約》的規定簽發

#### 船舶資料<sup>1</sup>

船名 .....

船舶編號或呼號 .....

船籍港 .....

總噸位 .....

載重量（公噸）<sup>2</sup> .....

船舶長度（第 III/3.12 條） .....

IMO 編號 .....

#### 船型<sup>3</sup>

散貨船

油船

化學品液貨船

氣體運輸船

上述船型以外的貨船

安放龍骨或處於類似建造階段的日期，

或（如適用）重大改建或改裝或改造工作開始的日期.....

**茲證明：**

- 1 該船業已按公約第 I/8 條的要求進行了檢驗。
- 2 檢驗表明：
  - 2.1 該船符合公約有關消防安全系統和設備及防火控制圖的要求；
  - 2.2 該船已按照公約要求配備了救生設備及救生艇、救生筏和救助艇用屬具；
  - 2.3 該船已按照公約要求配備了在救生設備中使用的拋繩設備和無線電裝置；
  - 2.4 該船在船載航行設備、引航員登船設施及航海出版物方面符合公約的要求；
  - 2.5 該船根據公約及現行《國際海上避碰規則》的要求配備了航行燈、號型以及發出聲響信號和遇險信號的設備；
  - 2.6 該船所有其他方面均符合公約的有關要求；
  - 2.7 該船有/沒有<sup>3</sup>按照公約第 II-2/17 / III/38<sup>3</sup> 條經過替代設計和佈置；
  - 2.8 防火/救生設備和裝置<sup>3</sup>的替代設計和佈置的批准文件附於/沒有附於<sup>3</sup>本證書之後。
- 3 該船按照第 III/26.1.1.1 條<sup>4</sup>在.....航區範圍內運營。
- 4 已經/沒有<sup>3</sup>簽發免除證書。

本證書有效期限至.....止。<sup>5</sup>但應視公約第 I/8 條規定的  
年度檢驗和定期檢驗情況而定。

本證書所依據的檢驗的完成日期：.....（年/月/日）

簽發於.....

（簽發證書的地點）

.....

（簽發日期）

（經授權發證的官員簽字）

（發證機關蓋章或鋼印）

年度檢驗和定期檢驗的簽註

茲證明，公約第 I/8 條要求的檢驗證實該船符合公約的有關要求。

年度檢驗： 簽字：.....  
(經授權的官員簽字)

地點：.....

日期：.....

(簽註機關蓋章或鋼印)

年度/中間<sup>3</sup>檢驗： 簽字：.....  
(經授權的官員簽字)

地點：.....

日期：.....

(簽註機關蓋章或鋼印)

年度/中間<sup>3</sup>檢驗： 簽字：.....  
(經授權的官員簽字)

地點：.....

日期：.....

(簽註機關蓋章或鋼印)

年度檢驗： 簽字：.....  
(經授權的官員簽字)

地點：.....

日期：.....

(簽註機關蓋章或鋼印)

**按照第 I/14 (h) (iii) 條進行的年度/定期檢驗**

茲證明，按照公約第 I/14 (h) (iii) 條進行的年度/中間<sup>3</sup> 檢驗證實該船符合公約的有關要求。

簽字：.....

(經授權的官員簽字)

地點：.....

日期：.....

(簽註機關蓋章或鋼印)

**第 I/14 (c) 條適用的、有效期短於 5 年的證書的展期簽註**

該船符合公約的有關要求，按照公約第 I/14 (c) 條，須承認本證書為有效，有效期至.....止。

簽字：.....

(經授權的官員簽字)

地點：.....

日期：.....

(簽註機關蓋章或鋼印)

**換證檢驗業已完成而且第 I/14 (d) 條適用的簽註**

該船符合公約的有關要求，按照公約第 I/14 (d) 條，須承認本證書為有效，有效期至.....止。

簽字：.....

(經授權的官員簽字)

地點：.....

日期：.....

(簽註機關蓋章或鋼印)

**第 I/14 (e) 條或第 I/14 (f) 條適用的、將證書有效期展延至駛抵進行檢驗的港口或給予寬限期的簽註**

按照公約第 I/14 (e) / I/14 (f) 條，<sup>3</sup> 須承認本證書為有效，有效期至.....止。

簽字：.....

(經授權的官員簽字)

地點：.....

日期：.....

(簽註機關蓋章或鋼印)



**第 I/14 (h) 條適用的、將周年日提前的簽註**

根據公約第 I/14 (h) 條，新的周年日為.....。

簽字：.....

(經授權的官員簽字)

地點：.....

日期：.....

(簽註機關蓋章或鋼印)

根據公約第 I/14 (h) 條，新的周年日為.....。

簽字：.....

(經授權的官員簽字)

地點：.....

日期：.....

(簽註機關蓋章或鋼印)

<sup>1</sup> 船舶資料也可在表格中橫向排列。

<sup>2</sup> 僅適用於油船、化學品液貨船和氣體運輸船。

<sup>3</sup> 酌情刪除。

<sup>4</sup> 參見《安全公約》1983 年修正案 (第 MSC.6 (48) 號決議)，在船上自扶正的部分封閉救生艇方面，適用於在 1986 年 7 月 1 日或以後，但在 1998 年 7 月 1 日以前建造的船舶。

<sup>5</sup> 填入主管機關按照公約第 I/14 (a) 條規定的失效日期。該日期如未按照公約第 I/14 (h) 條予以修正，其月、日相當於第 I/2 (n) 條界定的周年日。

## 貨船無線電安全證書格式

### 貨船無線電安全證書

本證書須附有貨船無線電安全的設備記錄（格式 R）

（公章）

（國家）

根據\_\_\_\_\_政府授權，

（國名）

由\_\_\_\_\_

（經授權的人員或組織）

按照經《1988 年議定書》修訂的  
《1974 年國際海上人命安全公約》的規定簽發

#### 船舶資料<sup>1</sup>

船名 .....

船舶編號或呼號 .....

船籍港 .....

總噸位 .....

核准船舶營運的海區（第 IV/2 條） .....

IMO 編號 .....

安放龍骨或處於類似建造階段的日期，

或（如適用）重大改建或改裝或改造工作開始的日期.....

**茲證明：**

- 1 該船業已按公約第 I/9 條的要求進行了檢驗。
- 2 檢驗表明：
  - 2.1 該船符合公約有關無線電裝置的要求；
  - 2.2 救生設備中使用的無線電裝置的功能符合公約的要求。
- 3 已經/沒有<sup>2</sup>簽發免除證書。

本證書有效期限至.....止。<sup>3</sup>但應視公約第 I/9 條規定的定期檢驗情況而定。

本證書所依據的檢驗的完成日期：.....（年/月/日）

簽發於.....

（簽發證書的地點）

.....

（簽發日期）

（經授權發證的官員簽字）

（發證機關蓋章或鋼印）

### 定期檢驗的簽註

茲證明，公約第 I/9 條要求的檢驗證實該船符合公約的有關要求。

定期檢驗： 簽字：.....  
(經授權的官員簽字)

地點：.....

日期：.....

(簽註機關蓋章或鋼印)

定期檢驗： 簽字：.....  
(經授權的官員簽字)

地點：.....

日期：.....

(簽註機關蓋章或鋼印)

定期檢驗： 簽字：.....  
(經授權的官員簽字)

地點：.....

日期：.....

(簽註機關蓋章或鋼印)

定期檢驗： 簽字：.....  
(經授權的官員簽字)

地點：.....

日期：.....

(簽註機關蓋章或鋼印)

**按照第 I/14 (h) (iii) 條進行的定期檢驗**

茲證明，按照公約第 I/14 (h) (iii) 條進行的定期檢驗證實該船符合公約的有關要求。

簽字：.....

(經授權的官員簽字)

地點：.....

日期：.....

(簽註機關蓋章或鋼印)

**第 I/14 (c) 條適用的、有效期短於 5 年的證書的展期簽註**

該船符合公約的有關要求，根據公約第 I/14 (c) 條，須承認本證書為有效，有效期至.....止。

簽字：.....

(經授權的官員簽字)

地點：.....

日期：.....

(簽註機關蓋章或鋼印)

**換證檢驗業已完成而且第 I/14 (d) 條適用的簽註**

該船符合公約的有關要求，根據公約第 I/14 (d) 條，須承認本證書為有效，有效期至 ..... 止。

簽字：.....

(經授權的官員簽字)

地點：.....

日期：.....

(簽註機關蓋章或鋼印)

**第 I/14 (e) 條或第 I/14 (f) 條適用的、將證書有效期展延至駛抵進行檢驗的港口或給予寬限期的簽註**

根據公約第 I/14 (e) / I/14 (f) 條，須承認本證書為有效，有效期 ..... 止。

簽字：.....

(經授權的官員簽字)

地點：.....

日期：.....

(簽註機關蓋章或鋼印)

**第 I/14 (h) 條適用的、將周年日提前的簽註**

根據公約第 I/14(h) 條，新的周年日為.....。

簽字：.....

(經授權的官員簽字)

地點：.....

日期：.....

(簽註機關蓋章或鋼印)

根據公約第 I/14(h) 條，新的周年日為.....。

簽字：.....

(經授權的官員簽字)

地點：.....

日期：.....

(簽註機關蓋章或鋼印)

<sup>1</sup> 船舶資料也可在表格中橫向排列。

<sup>2</sup> 酌情刪除。

<sup>3</sup> 填入主管機關根據公約第 I/14 (a) 條規定的失效日期。該日期如未根據公約第 I/14 (h) 條予以修正，其月、日相當於第 I/2 (n) 條定義的周年日。

# 貨船安全證書格式

## 貨船安全證書

本證書須附有貨船安全的設備記錄（格式 C）

（公章）

（國家）

根據 \_\_\_\_\_ 政府授權，

（國名）

由 \_\_\_\_\_

（經授權的人員或組織）

按照經《1988 年議定書》修訂的

《1974 年國際海上人命安全公約》的規定簽發

### 船舶資料<sup>1</sup>

船名 .....

船舶編號或呼號 .....

船籍港 .....

總噸位 .....

載重量（公噸）<sup>2</sup> .....

船舶長度（第 III/3.12 條） .....

核准船舶營運的海區（第 IV/2 條） .....

IMO 編號 .....



船型<sup>3</sup>

散貨船

油船

化學品液貨船

氣體運輸船

上述船型以外的貨船

建造日期：

建造合同日期 .....

安放龍骨或處於類似建造階段的日期 .....

交船日期 .....

重大改建或改裝或改造工作開始的日期（如適用） .....

須填寫所有適用日期。

**茲證明：**

- 1 該船業已按公約第 I/8 條、第 I/9 條和第 I/10 條的要求進行了檢驗。
- 2 檢驗表明：
  - 2.1 第 I/10 條所界定的結構、輪機及設備的狀況令人滿意，並且該船符合公約第 II-1 章和第 II-2 章的有關要求(有關消防安全系統和設備及防火控制圖者除外)；
  - 2.2 最近兩次的船底外部檢查於 ..... (日期) 和 ..... (日期) 進行；
  - 2.3 該船符合公約有關消防安全系統和設施及防火控制圖的要求；
  - 2.4 該船已按照公約要求配備了救生設備及救生艇、救生筏和救助艇用屬具；
  - 2.5 該船已按照公約要求配備了在救生設備中使用的拋繩設備和無線電裝置；
  - 2.6 該船在無線電裝置方面符合公約的要求；
  - 2.7 該船救生設備中使用的無線電裝置的功能符合公約的要求；
  - 2.8 該船在船載航行設備、引航員登船設施及航海出版物方面符合公約的要求；
  - 2.9 該船根據公約及現行《國際海上避碰規則》的要求配備了航行燈、號型以及發出聲響信號和遇險信號的設備；

- 2.10 該船所有其他方面均符合公約的有關要求；
- 2.11 該船有/沒有<sup>3</sup>按照公約第 II-1/55 / II-2/17 / III/38<sup>3</sup> 條經過替代設計和佈置；
- 2.12 輪機和電氣設備/防火/救生設備和裝置<sup>3</sup> 的替代設計和佈置的批准文件附於/沒有附於<sup>3</sup> 本證書之後。
- 3 該船按第 III/26.1.1.1 條<sup>4</sup> 在.....航區範圍內操作。
- 4 已經/尚未<sup>3</sup> 簽發免除證書。

本證書有效期限至.....止<sup>5</sup>，但應視公約第 I/8 條、第 I/9 條和第 I/10 條規定的年度檢驗、中間檢驗和定期檢驗及船底外部檢查情況而定。

本證書所依據的檢驗的完成日期：.....（年/月/日）

簽發於.....

（簽發證書的地點）

.....

（簽發日期）

（經授權發證的官員簽字）

（發證機關蓋章或鋼印）

本證書第 2.1 段提及的結構、機器和設備的年度檢驗和中間檢驗的簽註

茲證明，公約第 I/10 條要求的檢驗證實該船符合公約的有關要求。

年度檢驗： 簽字：.....  
(經授權的官員簽字)

地點：.....

日期：.....

(簽註機關蓋章或鋼印)

年度/中間<sup>3</sup>檢驗： 簽字：.....  
(經授權的官員簽字)

地點：.....

日期：.....

(簽註機關蓋章或鋼印)

年度/中間<sup>3</sup>檢驗： 簽字：.....  
(經授權的官員簽字)

地點：.....

日期：.....

(簽註機關蓋章或鋼印)

年度檢驗： 簽字：.....  
(經授權的官員簽字)

地點：.....

日期：.....

(簽註機關蓋章或鋼印)

**按照第 I/14 (h) (iii) 條進行的年度/中間檢驗**

茲證明，按照公約第 I/10 條和第 I/14 (h) (iii) 條進行的年度/中間<sup>3</sup> 檢驗證實該船符合公約的有關要求。

簽字：.....

(經授權的官員簽字)

地點：.....

日期：.....

(簽註機關蓋章或鋼印)

**船底外部檢查的簽註<sup>6</sup>**

茲證明，公約第 I/10 條要求的檢查證實該船符合公約的有關要求。

第一次檢查：

簽字：.....

(經授權的官員簽字)

地點：.....

日期：.....

(簽註機關蓋章或鋼印)

第二次檢查：

簽字：.....

(經授權的官員簽字)

地點：.....

日期：.....

(簽註機關蓋章或鋼印)

本證書第 2.3、2.4、2.5、2.8 和 2.9 段提及的救生設備和其他設備的  
年度檢驗和定期檢驗的簽註

茲證明，公約第 I/8 條要求的檢驗證實該船符合公約的有關要求。

年度檢驗： 簽字：.....  
(經授權的官員簽字)

地點：.....

日期：.....

(簽註機關蓋章或鋼印)

年度/中間<sup>3</sup>檢驗： 簽字：.....  
(經授權的官員簽字)

地點：.....

日期：.....

(簽註機關蓋章或鋼印)

年度/中間<sup>3</sup>檢驗： 簽字：.....  
(經授權的官員簽字)

地點：.....

日期：.....

(簽註機關蓋章或鋼印)

年度檢驗： 簽字：.....  
(經授權的官員簽字)

地點：.....

日期：.....

(簽註機關蓋章或鋼印)

**按照第 I/14 (h) (iii) 條進行的年度/定期檢驗**

茲證明，按照公約第 I/8 條和第 I/14 (h) (iii) 條進行的年度/定期檢驗<sup>3</sup>證實該船符合公約的有關要求。

簽字：.....

(經授權的官員簽字)

地點：.....

日期：.....

(簽註機關蓋章或鋼印)

**本證書第 2.6 和 2.7 段提及的無線電裝置定期檢驗的簽註**

茲證明，按照公約第 I/9 條進行的檢驗證實該船符合公約的有關要求。

定期檢驗：

簽字：.....

(經授權的官員簽字)

地點：.....

日期：.....

(簽註機關蓋章或鋼印)

定期檢驗：

簽字：.....

(經授權的官員簽字)

地點：.....

日期：.....

(簽註機關蓋章或鋼印)

定期檢驗： 簽字：.....  
 (經授權的官員簽字)

地點：.....

日期：.....

(簽註機關蓋章或鋼印)

定期檢驗： 簽字：.....  
 (經授權的官員簽字)

地點：.....

日期：.....

(簽註機關蓋章或鋼印)

**按照第 I/14 (h) (iii) 條進行的定期檢驗**

茲證明，按照公約第 I/9 條和第 I/14 (h) (iii) 條進行的定期檢驗  
 證實該船符合公約的有關要求。

簽字：.....  
 (經授權的官員簽字)

地點：.....

日期：.....

(簽註機關蓋章或鋼印)



**第 I/14 (c) 條適用的、有效期短於 5 年的證書的展期簽註**

該船符合公約的有關要求，根據公約第 I/14 (c) 條，須承認本證書為有效，有效期至.....止。

簽字：.....

(經授權的官員簽字)

地點：.....

日期：.....

(簽註機關蓋章或鋼印)

**換證檢驗業已完成而且第 I/14 (d) 條適用的簽註**

該船符合公約的有關要求，根據公約第 I/14 (d) 條，須承認本證書為有效，有效期至.....止。

簽字：.....

(經授權的官員簽字)

地點：.....

日期：.....

(簽註機關蓋章或鋼印)

**第 I/14 (e) 條或第 I/14 (f) 條適用的、將證書有效期展延至駛抵進行檢驗的港口或給予寬限期的簽註**

根據公約第 I/14 (e) / I/14 (f) 條<sup>3</sup>，須承認本證書為有效，有效期至.....止。

簽字：.....

(經授權的官員簽字)

地點：.....

日期：.....

(簽註機關蓋章或鋼印)

**第 I/14 (h) 條適用的、將周年日提前的簽註**

根據公約第 I/14 (h) 條，新的周年日為.....。

簽字：.....

(經授權的官員簽字)

地點：.....

日期：.....

(簽註機關蓋章或鋼印)

根據公約第 I/14 (h) 條，新的周年日為.....。

簽字：.....

(經授權的官員簽字)

地點：.....

日期：.....

(簽註機關蓋章或鋼印)

<sup>1</sup> 船舶資料也可在表格中橫向排列。

<sup>2</sup> 僅適用於油船、化學品液貨船和氣體運輸船。

<sup>3</sup> 酌情刪除。

<sup>4</sup> 參見《安全公約》1983 年修正案 (第 MSC.6 (48) 號決議)，在船上自扶正的部分封閉救生艇方面，適用於在 1986 年 7 月 1 日或以後、但在 1998 年 7 月 1 日以前建造的船舶。

<sup>5</sup> 填入主管機關根據公約第 I/14 (a) 條規定的失效日期。該日期如未根據公約第 I/14 (h) 條予以修正，其月、日相當於第 I/2 (n) 條界定的周年日。

<sup>6</sup> 可規定進行附加檢查。

## 免除證書格式

### 免除證書

(公章)

(國家)

根據 \_\_\_\_\_ 政府授權，

(國名)

由 \_\_\_\_\_

(經授權的人員或組織)

按照經《1988年議定書》修訂的  
《1974年國際海上人命安全公約》的規定簽發

#### 船舶資料<sup>1</sup>

船名 .....

船舶編號或呼號 .....

船籍港 .....

總噸位 .....

IMO 編號 .....

**茲證明：**

根據公約第.....條授予的權限，准予該船免除公約中.....條的要求。

准予本免除證書的條件（如有）：.....

准予本免除證書的航線（如有）：.....

本證書為.....證書的附件，在該證書有效的前提下，本免除證書的有效期至.....止。

簽發於.....

（簽發證書的地點）

.....

（簽發日期）

（經授權發證的官員簽字）

（發證機關蓋章或鋼印）

**第 I/14 (c) 條適用的、將有效期短於 5 年的證書展期的簽註**

本證書為.....證書的附件，在該證書有效的  
情況下，根據公約第 I/14 (c) 條，須承認本免除證書為有效，有效  
期至.....止。

簽字：.....

(經授權的官員簽字)

地點：.....

日期：.....

(簽註機關蓋章或鋼印)

**換證檢驗業已完成而且第 I/14 (d) 條適用的簽註**

本證書為.....證書的附件，在該證書有效的  
情況下，根據公約第 I/14 (d) 條，須承認本免除證書為有效，有效  
期至.....止。

簽字：.....

(經授權的官員簽字)

地點：.....

日期：.....

(簽註機關蓋章或鋼印)

**第 I/14 (e) 條或第 I/14 (f) 條適用的、將證書有效期展延至駛抵進行檢驗的港口或給予寬限期的簽註**

本證書為.....證書的附件，在該證書有效的  
情況下，根據公約第 I/14 (e) / I/14 (f) 條<sup>2</sup>，須承認本免除證書為  
有效，有效期至.....止。

簽字：.....

(經授權的官員簽字)

地點：.....

日期：.....

(簽註機關蓋章或鋼印)

---

<sup>1</sup> 船舶資料也可在表格中橫向排列。

<sup>2</sup> 酌情刪除。

**RESOLUTION MSC.344(91)**  
**(adopted on 30 November 2012)**

**AMENDMENTS TO THE PROTOCOL OF 1988 RELATING TO THE INTERNATIONAL  
CONVENTION FOR THE SAFETY OF LIFE AT SEA, 1974**

THE MARITIME SAFETY COMMITTEE,

RECALLING Article 28(b) of the Convention on the International Maritime Organization concerning the functions of the Committee,

RECALLING ALSO article VIII(b) of the International Convention for the Safety of Life at Sea (SOLAS), 1974 (hereinafter referred to as "the Convention") and article VI of the Protocol of 1988 relating to the Convention (hereinafter referred to as "the 1988 SOLAS Protocol") concerning the procedure for amending the 1988 SOLAS Protocol,

RECOGNIZING the need to align the forms of certificates set out in the appendix to the 1988 SOLAS Protocol with those in the Convention and the 1978 SOLAS Protocol,

HAVING CONSIDERED, at its ninety-first session, amendments to the 1988 SOLAS Protocol proposed and circulated in accordance with article VIII(b)(i) of the Convention and article VI of the 1988 SOLAS Protocol,

1. ADOPTS, in accordance with article VIII(b)(iv) of the Convention and article VI of the 1988 SOLAS Protocol, amendments to the appendix to the annex to the 1988 SOLAS Protocol, the text of which is set out in the annex to the present resolution;
2. DETERMINES, in accordance with article VIII(b)(vi)(2)(bb) of the Convention and article VI of the 1988 SOLAS Protocol, that the said amendments shall be deemed to have been accepted on 1 January 2014, unless, prior to that date, more than one third of the Parties to the 1988 SOLAS Protocol or Parties the combined merchant fleets of which constitute not less than 50 per cent of the gross tonnage of the world's merchant fleet, have notified their objections to the amendments;
3. INVITES the Parties concerned to note that, in accordance with article VIII(b)(vii)(2) of the Convention and article VI of the 1988 SOLAS Protocol, the amendments shall enter into force on 1 July 2014, upon their acceptance in accordance with paragraph 2 above;
4. REQUESTS the Secretary-General, in conformity with article VIII(b)(v) of the Convention and article VI of the 1988 SOLAS Protocol, to transmit certified copies of the present resolution and the text of the amendments contained in the annex to all Parties to the 1988 SOLAS Protocol;
5. ALSO REQUESTS the Secretary-General to transmit copies of this resolution and its annex to Members of the Organization which are not Parties to the 1988 SOLAS Protocol.

**ANNEX****AMENDMENTS TO THE PROTOCOL OF 1988 RELATING TO THE INTERNATIONAL  
CONVENTION FOR THE SAFETY OF LIFE AT SEA, 1974, AS AMENDED****ANNEX****MODIFICATIONS AND ADDITIONS TO THE ANNEX TO THE INTERNATIONAL  
CONVENTION FOR THE SAFETY OF LIFE AT SEA, 1974****APPENDIX****MODIFICATIONS AND ADDITIONS TO THE APPENDIX TO THE ANNEX TO  
THE INTERNATIONAL CONVENTION FOR THE SAFETY OF LIFE AT SEA, 1974**

All the forms of certificates and records of equipment contained in the appendix to the annex are replaced by the following:



**FORM OF SAFETY CERTIFICATE FOR PASSENGER SHIPS**

**PASSENGER SHIP SAFETY CERTIFICATE**

This Certificate shall be supplemented by a Record of Equipment for Passenger Ship Safety (Form P)

(Official seal)

(State)

for an/a short<sup>1</sup> international voyage

Issued under the provisions of the  
INTERNATIONAL CONVENTION FOR THE SAFETY OF LIFE  
AT SEA, 1974, as modified by the Protocol of 1988 relating thereto

under the authority of the Government of

\_\_\_\_\_

(name of the State)

by

\_\_\_\_\_

(person or organization authorized)

**Particulars of ship<sup>2</sup>**

Name of ship .....

Distinctive number or letters .....

Port of registry .....

Gross tonnage .....

Sea areas in which ship is certified to operate (regulation IV/2) .....

IMO Number .....

Date of build:

    Date of building contract .....

    Date on which keel was laid or ship was at similar stage of construction .....

    Date of delivery .....

    Date on which work for a conversion or an alteration or modification of a major character  
    was commenced (where applicable) .....

All applicable dates shall be completed.

**THIS IS TO CERTIFY:**

- 1 That the ship has been surveyed in accordance with the requirements of regulation I/7 of the Convention.
- 2 That the survey showed that:
  - 2.1 the ship complied with the requirements of the Convention as regards:
    - .1 the structure, main and auxiliary machinery, boilers and other pressure vessels;
    - .2 the watertight subdivision arrangements and details;
    - .3 the following subdivision load lines:

Subdivision load lines assigned and marked on the ship's side amidships (regulation II-1/18) <sup>3</sup>	Freeboard	To apply when the spaces in which passengers are carried include the following alternative spaces
P1	.....	.....
P2	.....	.....
P3	.....	.....

- 2.2 the ship complied with the requirements of the Convention as regards structural fire protection, fire safety systems and appliances and fire control plans;
- 2.3 the life-saving appliances and the equipment of the lifeboats, liferafts and rescue boats were provided in accordance with the requirements of the Convention;
- 2.4 the ship was provided with a line-throwing appliance and radio installations used in life-saving appliances in accordance with the requirements of the Convention;
- 2.5 the ship complied with the requirements of the Convention as regards radio installations;
- 2.6 the functioning of the radio installations used in life-saving appliances complied with the requirements of the Convention;
- 2.7 the ship complied with the requirements of the Convention as regards shipborne navigational equipment, means of embarkation for pilots and nautical publications;
- 2.8 the ship was provided with lights, shapes, means of making sound signals and distress signals, in accordance with the requirements of the Convention and the International Regulations for Preventing Collisions at Sea in force;
- 2.9 in all other respects the ship complied with the relevant requirements of the Convention;
- 2.10 the ship was/was not<sup>1</sup> subjected to an alternative design and arrangements in pursuance of regulation(s) II-1/55/II-2/17/III/38<sup>1</sup> of the Convention;
- 2.11 a Document of approval of alternative design and arrangements for machinery and electrical installations/fire protection/life-saving appliances and arrangements<sup>1</sup> is/is not<sup>1</sup> appended to this Certificate.
- 3 That an Exemption Certificate has/has not<sup>1</sup> been issued.

***This certificate is valid until*** .....

Completion date of the survey on which this certificate is based: ..... (dd/mm/yyyy)

Issued at .....

(Place of issue of certificate)

.....

(Date of issue)

.....

(Signature of authorized official issuing the certificate)

(Seal or stamp of the issuing authority, as appropriate)

**Endorsement where the renewal survey has been completed and regulation I/14(d) applies**

The ship complies with the relevant requirements of the Convention, and this certificate shall, in accordance with regulation I/14(d) of the Convention, be accepted as valid until .....

Signed:.....  
(Signature of authorized official)

Place:.....

Date:.....  
(Seal or stamp of the authority, as appropriate)

**Endorsement to extend the validity of the certificate until reaching the port of survey or for a period of grace where regulation I/14(e) or I/14(f) applies**

This certificate shall, in accordance with regulation I/14(e)/I/14(f)<sup>1</sup> of the Convention, be accepted as valid until .....

Signed: .....  
(Signature of authorized official)

Place:.....

Date:.....  
(Seal or stamp of the authority, as appropriate)

---

1 Delete as appropriate.  
 2 Alternatively, the particulars of the ship may be placed horizontally in boxes.  
 3 For ships constructed before 1 January 2009, the applicable subdivision notation "C.1, C.2 and C.3" should be used.

**FORM OF SAFETY CONSTRUCTION CERTIFICATE FOR CARGO SHIPS**

**CARGO SHIP SAFETY CONSTRUCTION CERTIFICATE**

(Official seal)

(State)

Issued under the provisions of the  
INTERNATIONAL CONVENTION FOR THE SAFETY OF LIFE  
AT SEA, 1974, as modified by the Protocol of 1988 relating thereto

under the authority of the Government of

\_\_\_\_\_

(name of the State)

by

\_\_\_\_\_

(person or organization authorized)

**Particulars of ship<sup>1</sup>**

Name of ship .....

Distinctive number or letters .....

Port of registry .....

Gross tonnage .....

Deadweight of ship (metric tons)<sup>2</sup> .....

IMO Number .....

Type of ship<sup>3</sup>

- Bulk carrier
- Oil tanker
- Chemical tanker
- Gas carrier
- Cargo ship other than any of the above

Date of build:

Date of building contract .....

.....

Date on which keel was laid or ship was at similar stage of construction .....

Date of delivery .....

Date on which work for a conversion or an alteration or modification of a major character  
was commenced (where applicable) .....

All applicable dates shall be completed.

**THIS IS TO CERTIFY:**

1. That the ship has been surveyed in accordance with the requirements of regulation I/10 of the Convention.
2. That the survey showed that the condition of the structure, machinery and equipment as defined in the above regulation was satisfactory and the ship complied with the relevant requirements of chapters II-1 and II-2 of the Convention (other than those relating to fire safety systems and appliances and fire control plans).
3. That the last two inspections of the outside of the ship's bottom took place on ..... and .....(dates)
4. That an Exemption Certificate has/has not<sup>3</sup> been issued.
5. The ship was/was not<sup>3</sup> subjected to an alternative design and arrangements in pursuance of regulation(s) II-1/55 / II-2/17<sup>3</sup> of the Convention.
6. A Document of approval of alternative design and arrangements for machinery and electrical installations/fire protection<sup>3</sup> is/is not<sup>3</sup> appended to this Certificate.

**This certificate is valid until** .....<sup>4</sup> subject to the annual and intermediate surveys and inspections of the outside of the ship's bottom in accordance with regulation I/10 of the Convention.

Completion date of the survey on which this certificate is based: .....(dd/mm/yyyy)

Issued at .....

(Place of issue of certificate)

.....  
(Date of issue)

.....  
(Signature of authorized official issuing the certificate)

(Seal or stamp of the issuing authority, as appropriate)

**Endorsement for annual and intermediate surveys**

THIS IS TO CERTIFY that, at a survey required by regulation I/10 of the Convention, the ship was found to comply with the relevant requirements of the Convention.

Annual survey: ..... Signed: .....  
(Signature of authorized official)  
Place: .....  
Date: .....  
(Seal or stamp of the authority, as appropriate)

Annual/Intermediate<sup>3</sup> survey: Signed: .....  
(Signature of authorized official)  
Place: .....  
(Seal or stamp of the authority, as appropriate)

Annual/Intermediate<sup>3</sup> survey: Signed: .....  
(Signature of authorized official)  
Place: .....  
Date: .....  
(Seal or stamp of the authority, as appropriate)

Annual survey: Signed: .....  
(Signature of authorized official)  
Place: .....  
Date: .....  
(Seal or stamp of the authority, as appropriate)

**Annual/intermediate survey in accordance with regulation I/14(h)(iii)**

THIS IS TO CERTIFY that, at an annual/intermediate survey<sup>3</sup> in accordance with regulation I/14(h)(iii) of the Convention, this ship was found to comply with the relevant requirements of the Convention.

Signed: .....  
(Signature of authorized official)

Place: .....

Date: .....  
(Seal or stamp of the authority, as appropriate)

**Endorsement for inspections of the outside of the ship's bottom<sup>5</sup>**

THIS IS TO CERTIFY that, at an inspection required by regulation I/10 of the Convention, the ship was found to comply with the relevant requirements of the Convention.

First inspection: Signed: .....  
 (Signature of authorized official)  
 Place: .....  
 Date: .....  
 (Seal or stamp of the authority, as appropriate)

Second inspection: Signed: .....  
 (Signature of authorized official)  
 Place: .....  
 Date: .....  
 (Seal or stamp of the authority, as appropriate)

**Endorsement to extend the certificate if valid for less than five years where regulation I/14(c) applies**

The ship complies with the relevant requirements of the Convention, and this certificate shall, in accordance with regulation I/14(c) of the Convention, be accepted as valid until .....

Signed: .....  
 (Signature of authorized official)  
 Place: .....  
 Date: .....  
 (Seal or stamp of the authority, as appropriate)

**Endorsement where the renewal survey has been completed and regulation I/14(d) applies**

The ship complies with the relevant requirements of the Convention, and this certificate shall, in accordance with regulation I/14(d) of the Convention, be accepted as valid until .....

Signed .....  
 (Signature of authorized official)  
 Place: .....  
 Date: .....  
 (Seal or stamp of the authority, as appropriate)



**Endorsement to extend the validity of the certificate until reaching the port of survey or for a period of grace where regulation I/14(e) or I/14(f) applies**

The certificate shall, in accordance with regulation I/14(e)/I/14(f)<sup>3</sup> of the Convention, be accepted as valid until .....

Signed: .....

(Signature of authorized official)

Place: .....

Date: .....

(Seal or stamp of the authority, as appropriate)

**Endorsement for advancement of anniversary date where regulation I/14(h) applies**

In accordance with regulation I/14(h) of the Convention, the new anniversary date is .....

Signed: .....

(Signature of authorized official)

Place: .....

Date: .....

(Seal or stamp of the authority, as appropriate)

In accordance with regulation I/14(h) of the Convention, the new anniversary date is .....

Signed: .....

(Signature of authorized official)

Place: .....

Date: .....

(Seal or stamp of the authority, as appropriate)

---

1 Alternatively, the particulars of the ship may be placed horizontally in boxes.  
 2 For oil tankers, chemical tankers and gas carriers only.  
 3 Delete as appropriate.  
 4 Insert the date of expiry as specified by the Administration in accordance with regulation I/14(a) of the Convention. The day and the month of this date correspond to the anniversary date, as defined in regulation I/2(n) of the Convention, unless amended in accordance with regulation I/14(h).  
 5 Provision may be made for additional inspections.

**FORM OF SAFETY EQUIPMENT CERTIFICATE FOR CARGO SHIPS**

**CARGO SHIP SAFETY EQUIPMENT CERTIFICATE**

This Certificate shall be supplemented by a Record of Equipment for Cargo Ship Safety (Form E)  
(Official seal) (State)

Issued under the provisions of the  
INTERNATIONAL CONVENTION FOR THE SAFETY OF LIFE  
AT SEA, 1974, as modified by the Protocol of 1988 relating thereto

under the authority of the Government of

\_\_\_\_\_ (name of the State)

by \_\_\_\_\_ (person or organization authorized)

**Particulars of ship<sup>1</sup>**

Name of ship .....

Distinctive number or letters .....

Port of registry .....

Gross tonnage .....

Deadweight of ship (metric tons)<sup>2</sup> .....

Length of ship (regulation III/3.12) .....

IMO Number .....

Type of ship<sup>3</sup>

- Bulk carrier
- Oil tanker
- Chemical tanker
- Gas carrier
- Cargo ship other than any of the above

Date on which keel was laid or ship was at a similar stage of construction or,  
where applicable, date on which work for a conversion or an alteration  
or modification of a major character was commenced .....

**THIS IS TO CERTIFY:**

- 1 That the ship has been surveyed in accordance with the requirements of regulation I/8 of the Convention.
- 2 That the survey showed that:
  - 2.1 the ship complied with the requirements of the Convention as regards fire safety systems and appliances and fire control plans;
  - 2.2 the life-saving appliances and the equipment of the lifeboats, liferafts and rescue boats were provided in accordance with the requirements of the Convention;
  - 2.3 the ship was provided with a line-throwing appliance and radio installations used in life-saving appliances in accordance with the requirements of the Convention;
  - 2.4 the ship complied with the requirements of the Convention as regards shipborne navigational equipment, means of embarkation for pilots and nautical publications;
  - 2.5 the ship was provided with lights, shapes and means of making sound signals and distress signals in accordance with the requirements of the Convention and the International Regulations for Preventing Collisions at Sea in force;
  - 2.6 in all other respects the ship complied with the relevant requirements of the Convention;
  - 2.7 the ship was/was not<sup>3</sup> subjected to an alternative design and arrangements in pursuance of regulation(s) II-2/17 / III/38<sup>3</sup> of the Convention;
  - 2.8 a Document of approval of alternative design and arrangements for fire protection/life-saving appliances and arrangements<sup>3</sup> is/is not<sup>3</sup> appended to this Certificate.
- 3 That the ship operates in accordance with regulation III/26.1.1.1<sup>4</sup> within the limits of the trade area .....
- 4 That an Exemption Certificate has/has not<sup>3</sup> been issued.

**This certificate is valid until** .....<sup>5</sup> subject to the annual and periodical surveys in accordance with regulation I/8 of the Convention.

Completion date of the survey on which this certificate is based:.....(dd/mm/yyyy)

Issued at.....  
(Place of issue of certificate)

.....  
(Date of issue)                      (Signature of authorized official issuing the certificate)

(Seal or stamp of the issuing authority, as appropriate)

**Endorsement for annual and periodical surveys**

THIS IS TO CERTIFY that, at a survey required by regulation I/8 of the Convention, the ship was found to comply with the relevant requirements of the Convention.

Annual survey: Signed: .....  
 (Signature of authorized official)  
 Place: .....  
 Date: .....  
 (Seal or stamp of the authority, as appropriate)

Annual/Periodical<sup>3</sup> survey: Signed: .....  
 (Signature of authorized official)  
 Place: .....  
 Date: .....  
 (Seal or stamp of the authority, as appropriate)

Annual/Periodical<sup>3</sup> survey: Signed: .....  
 (Signature of authorized official)  
 Place: .....  
 Date: .....  
 (Seal or stamp of the authority, as appropriate)

Annual survey: Signed: .....  
 (Signature of authorized official)  
 Place: .....  
 Date: .....  
 (Seal or stamp of the authority, as appropriate)

**Annual/periodical survey in accordance with regulation I/14(h)(iii)**

THIS IS TO CERTIFY that, at an annual/periodical<sup>3</sup> survey in accordance with regulation I/14(h)(iii) of the Convention, this ship was found to comply with the relevant requirements of the Convention.

Signed: .....  
 (Signature of authorized official)  
 Place: .....  
 Date: .....  
 (Seal or stamp of the authority, as appropriate)

***Endorsement to extend the certificate if valid for less than five years where regulation I/14(c) applies***

The ship complies with the relevant requirements of the Convention, and this certificate shall, in accordance with regulation I/14(c) of the Convention, be accepted as valid until .....

Signed: .....

(Signature of authorized official)

Place: .....

Date: .....

(Seal or stamp of the authority, as appropriate)

***Endorsement where the renewal survey has been completed and regulation I/14(d) applies***

The ship complies with the relevant requirements of the Convention, and this certificate shall, in accordance with regulation I/14(d) of the Convention, be accepted as valid until .....

Signed: .....

(Signature of authorized official)

Place: .....

Date: .....

(Seal or stamp of the authority, as appropriate)

***Endorsement to extend the validity of the certificate until reaching the port of survey or for a period of grace where regulation I/14(e) or I/14(f) applies***

The certificate shall, in accordance with regulation I/14(e)/I/14(f)<sup>3</sup> of the Convention, be accepted as valid until .....

Signed: .....

(Signature of authorized official)

Place: .....

Date: .....

(Seal or stamp of the authority, as appropriate)

**Endorsement for advancement of anniversary date where regulation I/14(h) applies**

In accordance with regulation I/14(h) of the Convention, the new anniversary date is .....

Signed: .....

(Signature of authorized official)

Place: .....

Date: .....

(Seal or stamp of the authority, as appropriate)

In accordance with regulation I/14(h) of the Convention, the new anniversary date is .....

Signed: .....

(Signature of authorized official)

Place: .....

Date: .....

(Seal or stamp of the authority, as appropriate)

- 
- 1 Alternatively, the particulars of the ship may be placed horizontally in boxes.
  - 2 For oil tankers, chemical tankers and gas carriers only.
  - 3 Delete as appropriate.
  - 4 Refer to the 1983 amendments to SOLAS (MSC.6(48)), applicable to ships constructed on or after 1 July 1986, but before 1 July 1998 in the case of self-righting partially enclosed lifeboat on board.
  - 5 Insert the date of expiry as specified by the Administration in accordance with regulation I/14(a) of the Convention. The day and the month of this date correspond to the anniversary date, as defined in regulation I/2(n) of the Convention, unless amended in accordance with regulation I/14(h).

**FORM OF SAFETY RADIO CERTIFICATE FOR CARGO SHIPS**

**CARGO SHIP SAFETY RADIO CERTIFICATE**

This Certificate shall be supplemented by a Record of Equipment for Cargo Ship Safety Radio (Form R)

(Official seal)

(State)

Issued under the provisions of the INTERNATIONAL CONVENTION FOR THE SAFETY OF LIFE AT SEA, 1974, as modified by the Protocol of 1988 relating thereto

under the authority of the Government of

\_\_\_\_\_

(name of the State)

by

\_\_\_\_\_

(person or organization authorized)

**Particulars of ship<sup>1</sup>**

Name of ship .....

Distinctive number or letters .....

Port of registry .....

Gross tonnage .....

Sea areas in which ship is certified to operate (regulation IV/2) .....

IMO Number .....

Date on which keel was laid or ship was at a similar stage of construction or, where applicable, date on which work for a conversion or an alteration or modification of a major character was commenced .....

**THIS IS TO CERTIFY:**

- 1 That the ship has been surveyed in accordance with the requirements of regulation I/9 of the Convention.
- 2 That the survey showed that:
  - 2.1 the ship complied with the requirements of the Convention as regards radio installations;
  - 2.2 the functioning of the radio installations used in life-saving appliances complied with the requirements of the Convention.
- 3 That an Exemption Certificate has/has not<sup>2</sup> been issued.

***This certificate is valid until*** .....<sup>3</sup> subject to the periodical surveys in accordance with regulation I/9 of the Convention.

Completion date of the survey on which this certificate is based:..... (dd/mm/yyyy)

Issued at .....  
(Place of issue of certificate)

.....  
(Date of issue) (Signature of authorized official issuing the certificate)

(Seal or stamp of the issuing authority, as appropriate)



**Endorsement for periodical surveys**

THIS IS TO CERTIFY that, at a survey required by regulation I/9 of the Convention, the ship was found to comply with the relevant requirements of the Convention.

Periodical survey: Signed: .....  
 (Signature of authorized official)  
 Place: .....  
 Date: .....  
 (Seal or stamp of the authority, as appropriate)

Periodical survey: Signed: .....  
 (Signature of authorized official)  
 Place: .....  
 Date: .....  
 (Seal or stamp of the authority, as appropriate)

Periodical survey: Signed: .....  
 (Signature of authorized official)  
 Place: .....  
 Date: .....  
 (Seal or stamp of the authority, as appropriate)

Periodical survey: Signed: .....  
 (Signature of authorized official)  
 Place: .....  
 Date: .....  
 (Seal or stamp of the authority, as appropriate)

**Periodical survey in accordance with regulation I/14(h)(iii)**

THIS IS TO CERTIFY that, at a periodical survey in accordance with regulation I/14(h)(iii) of the Convention, the ship was found to comply with the relevant requirements of the Convention.

Signed: .....  
 (Signature of authorized official)  
 Place: .....  
 Date: .....  
 (Seal or stamp of the authority, as appropriate)

**Endorsement to extend the certificate if valid for less than five years where regulation I/14(c) applies**

The ship complies with the relevant requirements of the Convention, and this certificate shall, in accordance with regulation I/14(c) of the Convention, be accepted as valid until .....

Signed: .....  
(Signature of authorized official)  
Place: .....  
Date: .....  
(Seal or stamp of the authority, as appropriate)

**Endorsement where the renewal survey has been completed and regulation I/14(d) applies**

The ship complies with the relevant requirements of the Convention, and this certificate shall, in accordance with regulation I/14(d) of the Convention, be accepted as valid until .....

Signed: .....  
(Signature of authorized official)  
Place: .....  
Date: .....  
(Seal or stamp of the authority, as appropriate)

**Endorsement to extend the validity of the certificate until reaching the port of survey or for a period of grace where regulation I/14(e) or I/14(f) applies**

The certificate shall, in accordance with regulation I/14(e)/I/14(f)<sup>2</sup> of the Convention, be accepted as valid until .....

Signed: .....  
(Signature of authorized official)  
Place: .....  
Date: .....  
(Seal or stamp of the authority, as appropriate)

**Endorsement for advancement of anniversary date where regulation I/14(h) applies**

In accordance with regulation I/14(h) of the Convention, the new anniversary date is

.....  
Signed: .....  
(Signature of authorized official)  
Place: .....  
Date: .....  
(Seal or stamp of the authority, as appropriate)

In accordance with regulation I/14(h) of the Convention, the new anniversary date is

.....  
Signed: .....  
(Signature of authorized official)  
Place: .....  
Date: .....  
(Seal or stamp of the authority, as appropriate)

1 Alternatively, the particulars of the ship may be placed horizontally in boxes.  
2 Delete as appropriate.  
3 Insert the date of expiry as specified by the Administration in accordance with regulation I/14(a) of the Convention. The day and the month of this date correspond to the anniversary date, as defined in regulation I/2(n) of the Convention, unless amended in accordance with regulation I/14(h).

**FORM OF SAFETY CERTIFICATE FOR CARGO SHIPS**

**CARGO SHIP SAFETY CERTIFICATE**

This Certificate shall be supplemented by a Record of Equipment for Cargo Ship Safety (Form C)

(Official seal)

(State)

Issued under the provisions of the  
INTERNATIONAL CONVENTION FOR THE SAFETY OF LIFE  
AT SEA, 1974, as modified by the Protocol of 1988 relating thereto  
under the authority of the Government of

\_\_\_\_\_

(name of the State)

by

\_\_\_\_\_

(person or organization authorized)

**Particulars of ship<sup>1</sup>**

Name of ship .....  
Distinctive number or letters .....  
Port of registry .....  
Gross tonnage .....  
Deadweight of ship (metric tons)<sup>2</sup> .....  
Length of ship (regulation III/3.12).....  
Sea areas in which ship is certified to operate (regulation IV/2) .....  
IMO Number .....

**Type of ship<sup>3</sup>**

- Bulk carrier
- Oil tanker
- Chemical tanker
- Gas carrier
- Cargo ship other than any of the above

**Date of build:**

Date of building contract .....  
Date on which keel was laid or ship was at similar stage of construction .....  
Date of delivery .....  
Date on which work for a conversion or an alteration or modification of a major character  
was commenced (where applicable) .....

All applicable dates shall be completed.

**THIS IS TO CERTIFY:**

- 1 That the ship has been surveyed in accordance with the requirements of regulations I/8, I/9 and I/10 of the Convention.
- 2 That the survey showed that:
  - 2.1 the condition of the structure, machinery and equipment as defined in regulation I/10 was satisfactory and the ship complied with the relevant requirements of chapter II-1 and chapter II-2 of the Convention (other than those relating to fire safety systems and appliances and fire control plans);
  - 2.2 the last two inspections of the outside of the ship's bottom took place on ..... and ..... (dates)
  - 2.3 the ship complied with the requirements of the Convention as regards fire safety systems and appliances and fire control plans;
  - 2.4 the life-saving appliances and the equipment of the lifeboats, liferafts and rescue boats were provided in accordance with the requirements of the Convention;
  - 2.5 the ship was provided with a line-throwing appliance and radio installations used in life-saving appliances in accordance with the requirements of the Convention;
  - 2.6 the ship complied with the requirements of the Convention as regards radio installations;
  - 2.7 the functioning of the radio installations used in life-saving appliances complied with the requirements of the Convention;
  - 2.8 the ship complied with the requirements of the Convention as regards shipborne navigational equipment, means of embarkation for pilots and nautical publications;
  - 2.9 the ship was provided with lights, shapes, means of making sound signals and distress signals in accordance with the requirements of the Convention and the International Regulations for Preventing Collisions at Sea in force;
  - 2.10 in all other respects the ship complied with the relevant requirements of the Convention;
  - 2.11 the ship was/was not<sup>3</sup> subjected to an alternative design and arrangements in pursuance of regulation(s) II-1/55 / II-2/17 / III/38<sup>3</sup> of the Convention;
  - 2.12 a Document of approval of alternative design and arrangements for machinery and electrical installations/fire protection/life-saving appliances and arrangements<sup>3</sup> is/is not<sup>3</sup> appended to this Certificate.
- 3 That the ship operates in accordance with regulation III/26.1.1.1<sup>4</sup> within the limits of the trade area.....
- 4 That an Exemption Certificate has/has not<sup>3</sup> been issued.

***This certificate is valid until*** .....<sup>5</sup> subject to the annual, intermediate and periodical surveys and inspections of the outside of the ship's bottom in accordance with regulations I/8, I/9 and I/10 of the Convention.

Completion date of the survey on which this certificate is based: ..... (dd/mm/yyyy)

Issued at .....

*(Place of issue of certificate)*

.....

*(Date of issue)*

.....

*(Signature of authorized official issuing the certificate)*

*(Seal or stamp of the issuing authority, as appropriate)*

**Endorsement for annual and intermediate surveys relating to structure, machinery and equipment referred to in paragraph 2.1 of this certificate**

THIS IS TO CERTIFY that, at a survey required by regulation I/10 of the Convention, the ship was found to comply with the relevant requirements of the Convention.

Annual survey: Signed: .....  
(Signature of authorized official)  
Place: .....  
Date: .....  
(Seal or stamp of the authority, as appropriate)

Annual/Intermediate<sup>3</sup> survey: Signed: .....  
(Signature of authorized official)  
Place: .....  
Date: .....  
(Seal or stamp of the authority, as appropriate)

Annual/Intermediate<sup>3</sup> survey: Signed: .....  
(Signature of authorized official)  
Place: .....  
Date: .....  
(Seal or stamp of the authority, as appropriate)

Annual survey: Signed: .....  
(Signature of authorized official)  
Place: .....  
Date: .....  
(Seal or stamp of the authority, as appropriate)

**Annual/intermediate survey in accordance with regulation I/14(h)(iii)**

THIS IS TO CERTIFY that, at an annual/intermediate<sup>3</sup> survey in accordance with regulations I/10 and I/14(h)(iii) of the Convention, the ship was found to comply with the relevant requirements of the Convention.

Signed: .....  
(Signature of authorized official)  
Place: .....  
Date: .....  
(Seal or stamp of the authority, as appropriate)

**Endorsement for inspections of the outside of the ship's bottom<sup>6</sup>**

THIS IS TO CERTIFY that, at an inspection required by regulation I/10 of the Convention, the ship was found to comply with the relevant requirements of the Convention.

First inspection: Signed: .....  
 (Signature of authorized official)  
 Place: .....  
 Date: .....  
 (Seal or stamp of the authority, as appropriate)

Second inspection: Signed: .....  
 (Signature of authorized official)  
 Place: .....  
 Date: .....  
 (Seal or stamp of the authority as appropriate)

**Endorsement for annual and periodical surveys relating to life-saving appliances and other equipment referred to in paragraphs 2.3, 2.4, 2.5, 2.8 and 2.9 of this certificate**

THIS IS TO CERTIFY that, at a survey required by regulation I/8 of the Convention, the ship was found to comply with the relevant requirements of the Convention.

Annual survey: Signed: .....  
 (Signature of authorized official)  
 Place: .....  
 Date: .....  
 (Seal or stamp of the authority, as appropriate)

Annual/Periodical<sup>3</sup> survey: Signed: .....  
 (Signature of authorized official)  
 Place: .....  
 Date: .....  
 (Seal or stamp of the authority, as appropriate)

Annual/Periodical<sup>3</sup> survey: Signed: .....  
 (Signature of authorized official)  
 Place: .....  
 Date: .....  
 (Seal or stamp of the authority, as appropriate)

Annual survey: Signed: .....  
 (Signature of authorized official)  
 Place: .....  
 Date: .....  
 (Seal or stamp of the authority, as appropriate)

**Annual/periodical survey in accordance with regulation I/14(h)(iii)**

THIS IS TO CERTIFY that, at an annual/periodical<sup>3</sup> survey in accordance with regulations I/8 and I/14(h)(iii) of the Convention, the ship was found to comply with the relevant requirements of the Convention.

Signed: .....

(Signature of authorized official)

Place: .....

Date: .....

(Seal or stamp of the authority, as appropriate)

**Endorsement for periodical surveys relating to radio installations referred to in paragraphs 2.6 and 2.7 of this certificate**

THIS IS TO CERTIFY that, at a survey required by regulation I/9 of the Convention, the ship was found to comply with the relevant requirements of the Convention.

Periodical survey: Signed: .....

(Signature of authorized official)

Place: .....

Date: .....

(Seal or stamp of the authority, as appropriate)

Periodical survey: Signed: .....

(Signature of authorized official)

Place: .....

Date: .....

(Seal or stamp of the authority, as appropriate)

Periodical survey: Signed: .....

(Signature of authorized official)

Place: .....

Date: .....

(Seal or stamp of the authority, as appropriate)

Periodical survey: Signed: .....

(Signature of authorized official)

Place: .....

Date: .....

(Seal or stamp of the authority, as appropriate)



**Periodical survey in accordance with regulation I/14(h)(iii)**

THIS IS TO CERTIFY that, at a periodical survey in accordance with regulations I/9 and I/14(h)(iii) of the Convention, the ship was found to comply with the relevant requirements of the Convention.

Signed: .....  
 (Signature of authorized official)  
 Place: .....  
 Date: .....  
 (Seal or stamp of the authority, as appropriate)

**Endorsement to extend the certificate if valid for less than five years where regulation I/14(c) applies**

The ship complies with the relevant requirements of the Convention, and this certificate shall, in accordance with regulation I/14(c) of the Convention, be accepted as valid until .....

Signed: .....  
 (Signature of authorized official)  
 Place: .....  
 Date: .....  
 (Seal or stamp of the authority, as appropriate)

**Endorsement where the renewal survey has been completed and regulation I/14(d) applies**

The ship complies with the relevant requirements of the Convention, and this certificate shall, in accordance with regulation I/14(d) of the Convention, be accepted as valid until .....

Signed: .....  
 (Signature of authorized official)  
 Place: .....  
 Date: .....  
 (Seal or stamp of the authority, as appropriate)

**Endorsement to extend the validity of the certificate until reaching the port of survey or for a period of grace where regulation I/14(e) or I/14(f) applies**

The certificate shall, in accordance with regulation I/14(e)/I/14(f)<sup>3</sup> of the Convention, be accepted as valid until .....

Signed: .....  
 (Signature of authorized official)  
 Place: .....  
 Date: .....  
 (Seal or stamp of the authority, as appropriate)

**Endorsement for advancement of anniversary date where regulation I/14(h) applies**

In accordance with regulation I/14(h) of the Convention, the new anniversary date is .....

Signed: .....

(Signature of authorized official)

Place: .....

Date: .....

(Seal or stamp of the authority, as appropriate)

In accordance with regulation I/14(h) of the Convention, the new anniversary date is .....

Signed: .....

(Signature of authorized official)

Place: .....

Date: .....

(Seal or stamp of the authority, as appropriate)

- 
- 1 Alternatively, the particulars of the ship may be placed horizontally in boxes.
  - 2 For oil tankers, chemical tankers and gas carriers only.
  - 3 Delete as appropriate.
  - 4 Refer to the 1983 amendments to SOLAS (MSC.6(48)), applicable to ships constructed on or after 1 July 1986, but before 1 July 1998 in the case of self-righting partially enclosed lifeboat(s) on board.
  - 5 Insert the date of expiry as specified by the Administration in accordance with regulation I/14(a) of the Convention. The day and the month of this date correspond to the anniversary date, as defined in regulation I/2(n) of the Convention, unless amended in accordance with regulation I/14(h).
  - 6 Provision may be made for additional inspections.

**FORM OF EXEMPTION CERTIFICATE**

**EXEMPTION CERTIFICATE**

(Official seal)

(State)

Issued under the provisions of the  
INTERNATIONAL CONVENTION FOR THE SAFETY OF LIFE  
AT SEA, 1974, as modified by the Protocol of 1988 relating thereto

under the authority of the Government of

\_\_\_\_\_  
(name of the State)

by

\_\_\_\_\_  
(person or organization authorized)

**Particulars of ship<sup>1</sup>**

Name of ship .....

Distinctive number or letters .....

Port of registry .....

Gross tonnage .....

IMO Number .....

**THIS IS TO CERTIFY:**

That the ship is, under the authority conferred by regulation .....of  
the Convention, exempted from the requirements..... of  
the Convention.

Conditions, if any, on which the Exemption Certificate is granted: .....  
.....

Voyages, if any, for which the Exemption Certificate is granted: .....  
.....  
.....

**This certificate is valid until**..... subject  
to the ..... Certificate, to which  
this certificate is attached, remaining valid.

Issued at.....  
(Place of issue of certificate)

.....  
(Date of issue) (Signature of authorized official issuing the certificate)

(Seal or stamp of the issuing authority, as appropriate)

***Endorsement to extend the certificate if valid for less than five years where regulation I/14(c) applies***

This certificate shall, in accordance with regulation I/14(c) of the Convention, be accepted as valid until ..... subject to the .....Certificate, to which this certificate is attached, remaining valid.

Signed: .....

(Signature of authorized official)

Place: .....

Date: .....

(Seal or stamp of the authority, as appropriate)

***Endorsement where the renewal survey has been completed and regulation I/14(d) applies***

This certificate shall, in accordance with regulation I/14(d) of the Convention, be accepted as valid until ..... subject to the .....Certificate, to which this certificate is attached, remaining valid.

Signed: .....

(Signature of authorized official)

Place: .....

Date: .....

(Seal or stamp of the authority, as appropriate)

***Endorsement to extend the validity of the certificate until reaching the port of survey or for a period of grace where regulation I/14(e) or I/14(f) applies***

This certificate shall, in accordance with regulation I/14(e)/I/14(f)<sup>2</sup> of the Convention, be accepted as valid until ..... subject to the .....Certificate, to which this certificate is attached, remaining valid.

Signed: .....

(Signature of authorized official)

Place: .....

Date: .....

(Seal or stamp of the authority, as appropriate)

---

1 Alternatively, the particulars of the ship may be placed horizontally in boxes.  
 2 Delete as appropriate.

## 第 53/2014 號行政長官公告

中華人民共和國是國際海事組織的成員國及一九七四年十一月一日訂於倫敦的《國際海上人命安全公約》（下稱“公約”）的締約國；

國際海事組織海上安全委員會於一九九一年五月二十三日對公約第VI章作出修正時，將有關國際散裝穀物安全運輸規則的規定作為公約的強制性規定，並透過第MSC.23(59)號決議通過了《國際散裝穀物安全運輸規則》；

中華人民共和國於一九九九年十二月十三日以照會通知聯合國秘書長，經修訂的公約自一九九九年十二月二十日起適用於澳門特別行政區；

基於此，行政長官根據澳門特別行政區第3/1999號法律第六條第一款的規定，命令公佈包含上指規則的第MSC.23(59)號決議的中文及英文正式文本。

二零一四年九月十二日發佈。

行政長官 崔世安

## Aviso do Chefe do Executivo n.º 53/2014

Considerando que a República Popular da China é um Estado Membro da Organização Marítima Internacional, e um Estado Contratante da Convenção Internacional para a Salvaguarda da Vida Humana no Mar, concluída em Londres, em 1 de Novembro de 1974, adiante designada por Convenção;

Considerando igualmente que, em 23 de Maio de 1991, o Comité de Segurança Marítima da Organização Marítima Internacional, procedeu a emendas ao capítulo VI da Convenção para tornar as disposições relativas ao Código Internacional para o Transporte Seguro de Grãos a Granel obrigatórias nos termos da Convenção, e que, através da sua resolução MSC.23(59), adoptou o Código Internacional para o Transporte Seguro de Grãos a Granel;

Considerando ainda que a República Popular da China, por nota datada de 13 de Dezembro de 1999, notificou o Secretário-Geral das Nações Unidas sobre a aplicação da Convenção, tal como emendada, na Região Administrativa Especial de Macau a partir de 20 de Dezembro de 1999;

O Chefe do Executivo manda publicar, nos termos do n.º 1 do artigo 6.º da Lei n.º 3/1999 da Região Administrativa Especial de Macau, a resolução MSC.23(59), que contém o referido Código, nos seus textos autênticos em línguas chinesa e inglesa.

Promulgado em 12 de Setembro de 2014.

O Chefe do Executivo, *Chui Sai On*.

## 第 MSC.23 (59) 號決議

(1991 年 5 月 23 日通過)

### 通過《國際散裝穀物安全運輸規則》

海上安全委員會，

憶及《國際海事組織公約》關於本委員會職責的第 28 (b) 條，

注意到由第 MSC.22 (59) 號決議通過的《1974 年國際海上人命安全公約》(《1974 年安全公約》) 經修訂的第 VI 章 C 部分，使《國際散裝穀物安全運輸規則》成為該《公約》的強制性規定，

審議了該建議的規則的文本，

1. 通過《國際散裝穀物安全運輸規則》，其文本載於本決議附件中；
2. 決定該規則應自 1994 年 1 月 1 日起生效；和
3. 要求秘書長將本決議及該規則的核正無誤副本分發給本組織的會員和《1974 年安全公約》的所有締約政府。

## 附件

### A 部分

#### 特別要求

##### 1 適用範圍

1.1 本規則適用於經修正的《1974 年安全公約》第 VI 章 C 部分適用的，從事散裝貨物運輸的船舶，不論大小，包括小於 500 總噸的船舶。

##### 1.2 就本規則而言：

“已建造船舶”一詞係指“已安放龍骨或處於相似建造階段的船舶”。

##### 2 定義

2.1 “穀物”一詞包括小麥、玉米、燕麥、黑麥、大麥、大米、豆類、種子和由其加工的其行為與自然狀態下的穀物相似的穀物製成品。

2.2 “平艙滿載艙”一詞係指按照 A10.2 要求裝載和平艙後，散裝貨物達到其可能的最大高度的任何貨物處所。

2.3 “未平艙滿載艙”一詞係指在艙口處裝至可能的最大程度，但根據適用於所有船舶的 A10.3.1 的規定，或根據適用於特別適裝艙的 A10.3.2 的規定，未在艙口範圍外進行平艙的貨物處所。



2.4 “部分裝載艙”一詞係指未按 A2.2 或 A2.3 規定的方式裝載散裝穀物的任何貨物處所。

2.5 “進水角” ( $\theta_1$ ) 一詞係指船體、上層建築或甲板室上不能關閉成風雨密的開口進水時的橫傾角。在引用此定義時，對不可能發生持續進水的小型開口，可不認為是開敞的。

2.6 “積載因素”一詞就計算由於穀物移動造成的穀物傾側力矩而言，係指經裝貨設施證實的貨物單位重量的容積，即對標稱的滿載貨物處所，不考慮損失的艙容。

2.7 “特別適裝艙”一詞係指在構造上至少具備兩個垂直或傾斜縱向穀密分隔，該分隔與艙口側縱桁重合或處於能限制任何穀物橫向移動影響的位置上的貨物處所。如是傾斜分隔，則其橫傾角不小於 30 度。

### 3 許可證

3.1 每艘按照本規則裝載的船舶，應由主管機關或其承認的機構，或由代表該主管機關的締約政府，發給一份許可證。這種許可證應被承認為該船能符合該規則要求的證明。

3.2 該許可證應附於或編入為使船長能符合 A7 要求而備置的穀物運輸手冊。該手冊應符合 A6.3 的要求。

3.3 這種許可證、穀物裝載穩性資料及其附屬圖表可用發證國的官方語文寫成。如果使用的語文既非英文，又非法文，則該文本應包括上述語文之一的譯文。

3.4 船上應備有這種許可證、穀物裝載穩性資料及其有關圖表的副本，以便在要求提交時，由船長提交給裝貨港所在國締約政府檢查。

3.5 未持有這種許可證的船舶，在船長向主管機關或代表該主管機關的裝貨港所在國締約政府證明該船的計劃航次的裝載情況符合本規則的要求並取得其同意之前，不得裝載穀物。也見 A8.3 和 A9。

#### 4 等效措施

如果使用主管機關按照經修正的《1974 年國際海上人命安全公約》第 I/5 條所接受的等效措施，則其細節應載入許可證或穀物裝載手冊內。

#### 5 免除對某些航次的要求

主管機關或代表該主管機關的締約政府，如認為由於某一航次的遮蔽性和條件，使執行本規則中的任何要求不合理或不必要時，則可對個別船舶或個別類型的船舶免除這些特別要求。

#### 6 關於船舶穩性和穀物裝載的資料

6.1 為使船長保證船舶在國際航行中運輸散裝穀物符合本規則，應提供印成小冊子形式的資料。這種資料應包括 A6.2 和 A6.3 中所列資料。

6.2 可為主管機關或代表主管機關的締約政府所接受的資料應包括：

- .1 船舶特徵；
- .2 空船排水量和從船型基線與中剖面的交點至船舶重心的垂直距離（KG）；

- .3 自由液面修正表；
- .4 容量和重心；
- .5 在浸水角小於 40 度時，在所有許可排水量狀況下的浸水角的曲線和表格；
- .6 適於營運吃水範圍的靜水力性能曲線或表格；和
- .7 符合 A7 中要求並包括 12 度和 40 度時曲線的穩性橫交曲線。

6.3 應經主管機關或代表主管機關的締約政府批准的資料應包括：

- .1 容量、容量的垂直中心和每個滿載或部分裝載艙或連通裝載艙的假設容量的傾側力矩的曲線或表格，包括臨時裝置的效用；
- .2 不同排水量和不同垂直重心的最大許可傾側力矩表格或曲線，以使船長能夠證明符合 A7.1 的要求；  
  
本要求僅適用於在本規則生效之日或之後安放龍骨的船舶；
- .3 任何臨時裝置的詳細尺寸和，如合適，滿足 A7、A8 和 A9 要求的必要措施的詳情；
- .4 以通知形式出現的，概括本規則要求的裝載說明書；
- .5 供指導船長使用的實例；

.6 出港和到港時典型的裝載營運情況，以及必要時抵離港之間的最差裝載營運情況。

## 7 穩性要求

7.1 任何運輸散裝貨物的船舶的完整穩性特徵應表明在按照本規則 B 部分和圖 A7 所述方法考慮到由於穀物移動產生的傾側力矩後，在整個航次中至少能滿足下列標準：

- .1 由於穀物移動引起的橫傾角不應大於 12 度或，如船舶建造於 1994 年 1 月 1 日或此後，甲板邊緣浸水角應取其更小者；
- .2 在靜穩性圖表上，到達傾側力臂曲線與復原力臂曲線的縱座標最大差值的橫傾角或 40 度角或進水角 ( $\theta_1$ ) 時，取其最小者，該兩曲線之間的淨面積或剩餘面積，在一切裝載情況下應不小於 0.075 米-弧度；和
- .3 經修正各艙內自由液面影響後的初穩性高度，應不小於 0.30 米。

7.2 在裝載散裝貨物之前，如經裝貨港所在國締約政府要求，船長應證明該船在任何航次的一切階段的穩性均符合本節所要求的穩性標準。

7.3 在裝船後，船長應保證船舶在出海之前處於正浮狀態。

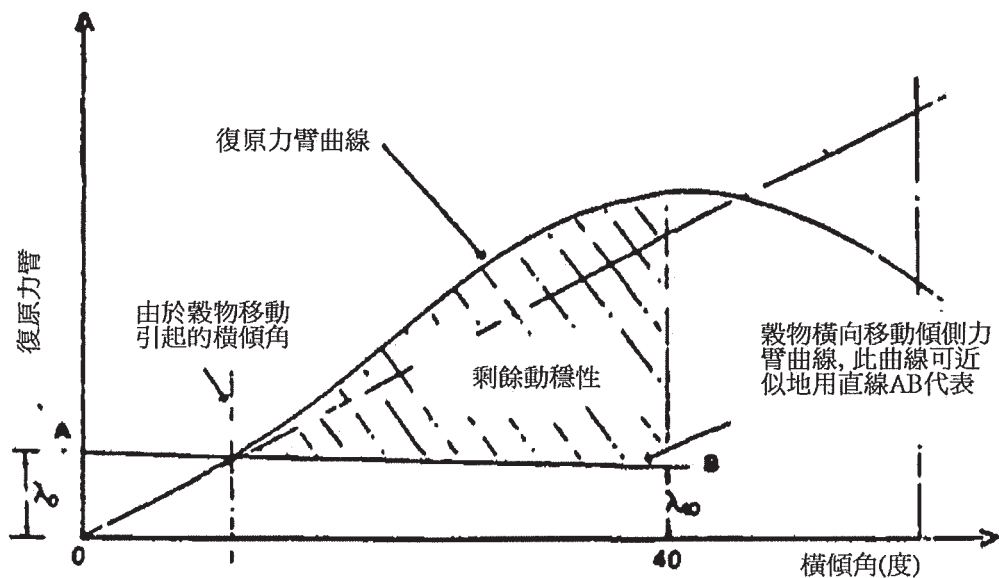


圖 A7

圖 A7 註：

(1) 圖中：

$$\lambda_0 = \frac{\text{假設因橫向移動引起的體積傾側力矩}}{\text{積載因素} \times \text{排水量}} ;$$

$$\lambda_{40} = 0.8 \times \lambda_0 ;$$

積載因素 = 穀物單位重量的體積；

排水量 = 船舶、燃料、淡水、備品等和貨物的重量。

(2) 復原力臂曲線應由橫交曲線導出，這些橫交曲線的數目應足以準確地確定所要求的曲線，並應包括 10 度和 40 度處的橫交曲線。

## 8 對現有船舶的穩性要求

8.1 就本節而言，“現有船舶”一詞係指 1980 年 5 月 25 日前安放龍骨的船舶。

8.2 原先按照根據《1960 年海上人命安全公約》第 VI 章第 12 條、海事組織第 A.184 (VI) 號決議或第 A.264 (VIII) 號決議批准的文件裝載的現有船舶，應視為具有至少與本規則 A7 的要求相等的完整穩性。允許這種裝載的批准證就 A7.2 而言應被接受。

8.3 未持有按照本規則 A3 簽發的許可證的現有船舶，可應用 A9 的規定而對可用於運輸散裝貨物的載重量不加限制。

## 9 對沒有許可證承運部分散裝穀物貨物船舶的非強制穩性要求

9.1 船上未持有按照本規則 A3 簽發的許可證的船舶可允許運輸散裝穀物，只要：

- .1 散裝貨物的總重量不超過該船載重量的三分之一；
- .2 所有“平艙滿載艙”應設置延伸到該艙全長度的中心線隔壁，此隔壁從甲板或艙口蓋的下面向下延伸到甲板線以下至少等於該船寬度的八分之一或 2.4 米的距離，取其較大者；如按照 A14 的要求製成托盤時，可同意用來代替在艙口內和艙口下的中心線隔壁，但裝運亞麻子和具有類似性質的其他種子情況除外；
- .3 所有“平艙滿載艙”的艙口都要關閉，並將艙口蓋固定就位；

- .4 在部分裝載貨艙裏的所有穀物自由表面應平整成水平並按 A16、A17 或 A18 規定加以固定；
- .5 在整個航次中，經修正各液艙內自由液面影響後的初穩性高度應為 0.3 米，或者按下列公式求得，取其較大者：

$$GM_R = \frac{L B V_d (0.25B - 0.645\sqrt{V_d B})}{SF \times \Delta \times 0.0875}$$

式中：

L=所有滿裝艙的合計總長度（米）

B=船舶的型寬（米）

SF=積載因素（立方米/噸）

V<sub>d</sub>=按 B.1 計算的空檔平均深度（米-註：不是毫米）

Δ=排水量（噸）；和

- .6 船長向主管機關或代表該主管機關的裝貨港所在的締約國證明按所建議的裝載情況該船將符合本節的要求，並取得其同意。

## 10 散裝穀物的積載

10.1 應進行一切必要的和合理的平艙工作，以便把所有貨物自由表面整成水平，並使貨物移動的影響減至最小。

10.2 在任何“平艙滿載艙”中，應對散裝貨物加以平艙，使其盡最大可能填滿甲板下方及艙口蓋下方的一切空間。

10.3 在任何“平艙滿載艙”中，應使散裝貨物通過艙口但可在位於艙口邊緣外的其自然角度盡最大可能予以填滿。如“滿載艙”屬於下述類型之一，則可具備這一類別的合格條件：

- .1 發給許可證的主管機關可按 B6 在下述情況下允許免予平艙：設置加料管道、甲板添注口或其他類似裝置，使貨物自由流進艙內因而在計算空檔深度時已考慮到由此而形成的甲板下方的空檔形狀；或
- .2 該艙是 A2.7 中規定的“特別適裝”的，在這種情況下，可免予對該艙的頂端進行平艙。

10.4 如果在裝有貨物的下層貨艙上沒有散裝貨物或其他貨物，則艙口蓋應在考慮到供固定這些艙口蓋的重量和固定裝置的情況下以認可的方式加以固定。

10.5 當散裝貨物堆裝於不穀密的關閉的二層艙艙蓋上邊時，這種艙蓋應以用膠布粘住接縫、用防水帆布或隔票布蓋住整個艙口或其他合適方法使之穀密。

10.6 裝貨後，在“部分裝載艙”中的所有穀物自由表面應是水平的。

10.7 除非考慮到按照本規則由於穀物移動引起的有害傾側影響，在任何“部分裝載艙”中的散裝穀物的表面應予固定，以防止由於如 A16 中所述的在上面的堆裝而造成貨物移動。或選取另一方法，在“部分裝載艙”中的散裝穀物表面可用 A17 或 A18 中所述用帶捆紮或用繩捆綁加以固定。



10.8 下層貨艙及二層艙可作為一個艙裝載，只要在計算橫向傾側力矩時，適當考慮貨物流入下層艙的情況。

10.9 在“平艙滿載艙”、“未平艙滿載艙”和“部分裝載艙”內，均可設置縱向隔壁，作為減少貨物移動的有害橫傾影響的裝置，只要：

- .1 隔壁是穀密的；
- .2 構造符合 A11、A12 和 A13 的要求；
- .3 如在 B2.8.2 註（2）、B2.9.2 註（3）或 B5.2 中所述，如合適，在二層艙，隔壁從甲板延伸到甲板，在其他貨艙內，隔壁從甲板或艙蓋的下邊向下延伸。

## 11 穀物裝置的強度

### 11.1 木材

用於穀物裝置的所有木材應具有上等完好質量，其品種和等級經證明能滿足於這一用途。木材成品的實際尺寸應按照下述規定。外用品用防水膠粘合的膠合板並在設置時使面層板的紋理方向垂直於支撐立柱或束縛物，如其強度與適當尺寸的實體木材的強度等效，也可使用。

### 11.2 工作應力

當使用表 A13-1 至表 A13-6 計算單側受載的隔壁尺寸時，應採用下列工作應力。

對鋼製隔壁 19.6 千牛/厘米<sup>2</sup>

對木製隔壁 1.57 千牛/厘米<sup>2</sup>

(1 牛頓相當於 0.102 千克)

### 11.3 其他材料

除木材或鋼材之外的其他材料，如對其機械性能已作適當考慮，可同意用來製造此種隔壁。

### 11.4 立柱

- .1 除設有能防止立柱端部從其插座中脫出的裝置者外，每一立柱每端插入插座的深度應不小於 75 毫米。如果一立柱在其頂端未作固定，則最上面的撐柱或拉索應儘可能靠近其頂端設置。
- .2 如將立柱的剖面削除一部分用來插入止移板，則這種措施不應使局部應力過分增高。
- .3 作用在支持單側受載隔壁的立柱上的最大彎曲力矩，通常應在計算時假定各立柱的兩端為自由支持。但是，如主管機關同意所假定的某種程度的固定將能在實際中達到，則可考慮對由於立柱兩端作某種程度的固定而產生的最大彎曲力矩作某種減少。

### 11.5 組合剖面

如果立柱、束縛件或任何其他強力構件是由兩個分開的剖面組成，在隔壁的兩側各設一個剖面，並按適當間距用貫穿螺栓使其相互連結，則其有效剖面模數應取兩個分開的剖面模數之和。

## 11.6 局部隔壁

如果隔壁未延伸到貨艙的全深度，這種隔壁及其立柱應加以支持或牽拉，以使其達到與延伸到貨艙全深度的隔壁同等有效。

## 12 兩側受載的隔壁

### 12.1 止移板

- .1 止移板的厚度不應小於 50 毫米，並應設置成榫密，且在其必要處用立柱支持。
- .2 各種厚度的止移板的最大自由跨距應如下：

厚度	最大自由跨距
50 毫米	2.5 米
60 毫米	3.0 米
70 毫米	3.5 米
80 毫米	4.0 米

如果厚度超過上述數值，則最大自由跨距可直接隨厚度的增大而異。

- .3 所有止移板的端部應牢固地嵌入插槽，並具有 75 毫米的最小支承長度。

### 12.2 其他材料

採用木材以外的其他材料構成的隔壁，應與 A12.1 中對止移板要求的強度等效。

### 12.3 立柱

- .1 用於支持兩側受載隔壁的鋼質立柱，其剖面模數應按下式求得：

$$W = a \times W_1$$

式中：

W=剖面模數，厘米<sup>3</sup>

a=立柱間水平跨距（米）。

每米跨距的剖面模數  $W_1$  應不小於下述公式求得之值：

$$W_1 = 14.8 (h_1 - 1.2) \text{ 厘米}^3/\text{米}$$

式中：

$h_1$  是垂向自由跨距，以米計，應取相鄰兩支索的固定點之間或支索固定點與立柱任一端部之間的最大距離。如這個距離小於 2.4 米，則應在計算各模數時，假定距離的實際值為 2.4 米。

- .2 木質立柱的模數應按鋼質立柱的相應模數乘以 12.5 來確定。如採用其他材料，其模數至少應等於對鋼的要求，並按鋼與所採用材料的許用應力的比例予以增加。在這些情況下，還應注意到每根立柱的相對剛性，以保證其不致發生過度的彎曲。
- .3 立柱間的水平距離，應使止移板的自由跨距不超過 A12.1.3 中要求的最大跨距。

## 12.4 撐柱

- .1 當使用木質撐柱時，該撐柱應為整根的，其每一端均應牢固地加以固定，並應將撐柱的跟部撐牢在船舶的永久性結構上，但不應直接支撐在船側外板上。
- .2 按照 A12.4.3 和 A12.4.4 的規定，木質撐柱的最小尺寸如下：

撐柱長度	矩形剖面	圓形剖面直徑
米	毫米	毫米
不超過 3 米	150 × 100	140
3 米以上不足 5 米	150 × 150	165
5 米以上不足 6 米	150 × 150	180
6 米以上不足 7 米	200 × 150	190
7 米以上不足 8 米	200 × 150	200
超過 8 米	200 × 150	215

撐柱長度在 7 米或 7 米以上時，應在接近長度的中點處牢固地架撐。

- .3 當各立柱之間的水平距離與 4 米相差甚大時，撐柱的慣性矩可按比例予以變更。
- .4 當撐柱與水平線所成夾角超過 10 度時，應選用按 A12.4.2 所要求的較大一檔的撐柱，但在任何情況下，撐柱與水平線之間的夾角不應超過 45 度。

## 12.5 拉索

如使用拉索來支持兩側受載的隔壁，則拉索應水平地或儘可能水平地設置。拉索應由鋼絲繩製成，其兩端應妥善固定。鋼絲繩的尺寸，應按假定由拉索支持的隔壁和立柱所承受的均勻負荷  $4.9 \text{ 千牛/米}^2$  來確定。由此假定的在拉索上的工作負荷，應不超過其破斷負荷的三分之一。

## 13 僅單側受載的隔壁

### 13.1 縱向隔壁

隔壁的每米長度所受負荷（P）的牛頓數，應取下述數值：

.1 表 A13-1

		B (米)						
h (米)	2	3	4	5	6	7	8	10
1.50	8.336	8.826	9.905	12.013	14.710	17.358	20.202	25.939
2.00	13.631	14.759	16.769	19.466	22.506	25.546	28.733	35.206
2.50	19.466	21.182	23.830	26.870	30.303	33.686	37.265	44.473
3.00	25.644	27.900	30.891	34.323	38.099	41.874	45.797	53.740
3.50	31.823	34.568	37.952	41.727	45.895	50.014	54.329	63.008
4.00	38.148	41.286	45.013	49.180	53.691	58.202	62.861	72.275
4.50	44.473	47.955	52.073	56.584	61.488	66.342	71.392	81.542
5.00	50.847	54.623	59.134	64.037	69.284	74.531	79.924	90.810
6.00	63.498	68.009	73.256	78.894	84.877	90.859	96.988	109.344

式中：h=從隔壁底部算起的穀物高度（米）。當貨艙裝滿時，高度（h）應取至隔壁所在處的頂甲板。在艙口或從

隔壁到艙口的距離是 1 米或小於 1 米時，高度 (h)

應取至該艙內的穀物水平面。

B=散裝穀物橫向範圍 (米)。

- .2 表 A13-1 內的內插法可用於 B 的中間數值和當 h 等於或小於 6.0 米時，可用於 h 的中間數值。
- .3 h 數值超過 6.0 米時，隔壁的每米長度所受負荷 (P) 的牛頓數可以使用 B/h 的比率和利用下述公式用表 A13-2 計算：

$$P=f \times h^2$$

- .4 表 A13-2

B/h	f	B/h	f
0.2	1.687	2.0	3.380
0.3	1.742	2.2	3.586
0.4	1.809	2.4	3.792
0.5	1.889	2.6	3.998
0.6	1.976	2.8	4.204
0.7	2.064	3.0	4.410
0.8	2.159	3.5	4.925
1.0	2.358	4.0	5.440
1.2	2.556	5.0	6.469
1.4	2.762	6.0	7.499
1.6	2.968	8.0	9.559
1.8	3.174		

## 13.2 橫向隔壁

隔壁每米長度所受負荷（P）的牛頓數，應取下述數值：

.1 表 A13-3

		L (米)									
h (米)	2	3	4	5	6	7	8	10	12	14	16
1.50	6.570	6.767	7.159	7.649	8.189	8.728	9.169	9.807	10.199	10.297	10.297
2.00	10.199	10.787	11.474	12.209	12.994	13.729	14.416	15.445	16.083	16.279	16.279
2.50	14.318	15.347	16.426	17.456	18.437	19.417	20.349	21.673	22.408	22.604	22.604
3.00	18.878	20.251	21.624	22.948	24.222	25.399	26.429	27.900	28.684	28.930	28.930
3.50	23.781	25.546	27.164	28.733	30.155	31.430	32.558	34.127	35.010	35.255	35.255
4.00	28.930	30.989	32.901	34.667	36.187	37.559	38.736	40.403	41.286	41.531	41.580
4.50	34.274	36.530	38.638	40.501	42.120	43.542	44.767	46.582	47.562	47.856	47.905
5.00	39.717	42.218	44.473	46.434	48.151	49.622	50.897	52.809	53.839	54.182	54.231
6.00	50.749	53.593	56.094	58.301	60.164	61.782	63.204	65.263	66.440	66.832	66.930

式中：h=從隔壁底部算起的穀物高度（米）。當貨艙裝滿時，高度（h）應取至隔壁所在處的頂甲板。在艙口或從隔壁到艙口的距離是 1 米或小於 1 米時，高度（h）應取至該艙內的穀物水平面。

L=散裝穀物的縱向範圍（米）。

- .2 當 h 等於或小於 6.0 米時，L 的中間數值和 h 的中間數值可用內插法使用表 A13-3 計算。
- .3 當 h 數值超過 6.0 米時，隔壁每米長度的負荷（P）的牛頓數可以使用 L/h 的比率和採用下述公式利用表 A13-4 計算：



$$P=f \times h^2$$

.4 表 A13-4

L/h	f	L/h	f
0.2	1.334	2.0	1.846
0.3	1.395	2.2	1.853
0.4	1.444	2.4	1.857
0.5	1.489	2.6	1.859
0.6	1.532	2.8	1.859
0.7	1.571	3.0	1.859
0.8	1.606	3.5	1.859
1.0	1.671	4.0	1.859
1.2	1.725	5.0	1.859
1.4	1.769	6.0	1.859
1.6	1.803	8.0	1.859
1.8	1.829		

13.3 表 A13-1 至 A13-4 中所示隔壁的每單位長度的總負荷，如認為必要，可假定沿高度成梯形分佈。在這種情況下，垂向構件或立柱的上端或下端的反作用負荷是不相同的。以垂向構件或立柱所承受的總負荷的百分數表示的上端反作用力負荷，可取表 A13-5 和表 A13-6 所列數值。

## .1 表 A13-5：僅單側受載的縱向隔壁

立柱上端的支承反作用力，以 A13.1 中負荷的百分數表示

B (米)								
h (米)	2	3	4	5	6	7	8	10
1.5	43.3	45.1	45.9	46.2	46.2	46.2	46.2	46.2
2	44.5	46.7	47.6	47.8	47.8	47.8	47.8	47.8
2.5	45.4	47.6	48.6	48.8	48.8	48.8	48.8	48.8
3	46.0	48.3	49.2	49.4	49.4	49.4	49.4	49.4
3.5	46.5	48.8	49.7	49.8	49.8	49.8	49.8	49.8
4	47.0	49.1	49.9	50.1	50.1	50.1	50.1	50.1
4.5	47.4	49.4	50.1	50.2	50.2	50.2	50.2	50.2
5	47.7	49.4	50.1	50.2	50.2	50.2	50.2	50.2
6	47.9	49.5	50.1	50.2	50.2	50.2	50.2	50.2
7	47.9	49.5	50.1	50.2	50.2	50.2	50.2	50.2
8	47.9	49.5	50.1	50.2	50.2	50.2	50.2	50.2
9	47.9	49.5	50.1	50.2	50.2	50.2	50.2	50.2
10	47.9	49.5	50.1	50.2	50.2	50.2	50.2	50.2
B=散裝穀物橫向範圍 (米)								

h 或 B 為其他數值時，反作用負荷應按需要用線性內插法或外插法計算。

## .2 表 A13-6：僅單側受載的橫向隔壁

支柱上端的支承反作用力以 A13.2 中負荷的百分數表示

L (米)											
h (米)	2	3	4	5	6	7	8	10	12	14	16
1.5	37.3	38.7	39.7	40.6	41.4	42.1	42.6	43.6	44.3	44.8	45.0
2	39.6	40.6	41.4	42.1	42.7	43.1	43.6	44.3	44.7	45.0	45.2
2.5	41.0	41.8	42.5	43.0	43.5	43.8	44.2	44.7	45.0	45.2	45.2
3	42.1	42.8	43.3	43.8	44.2	44.5	44.7	45.0	45.2	45.3	45.3
3.5	42.9	43.5	43.9	44.3	44.6	44.8	45.0	45.2	45.3	45.3	45.3
4	43.5	44.0	44.4	44.7	44.9	45.0	45.2	45.4	45.4	45.4	45.4
5	43.9	44.3	44.6	44.8	45.0	45.2	45.3	45.5	45.5	45.5	45.5
6	44.2	44.5	44.8	45.0	45.2	45.3	45.4	45.6	45.6	45.6	45.6
7	44.3	44.6	44.9	45.1	45.3	45.4	45.5	45.6	45.6	45.6	45.6
8	44.3	44.6	44.9	45.1	45.3	45.4	45.5	45.6	45.6	45.6	45.6
9	44.3	44.6	44.9	45.1	45.3	45.4	45.5	45.6	45.6	45.6	45.6
10	44.3	44.6	44.9	45.1	45.3	45.4	45.5	45.6	45.6	45.6	45.6

L=散裝穀物縱向範圍 (米)

h 或 L 為其他數值時，反作用負荷應按需要用線性內插法或外插法計算。

3. 這種垂向構件或立柱的端部連接的強度，可以每一端可能承受的最大負荷作為基礎來計算。這些負荷如下：

#### 縱向隔壁

頂端最大負荷                      A13.1 中相應總負荷的 50%

底端最大負荷                      A13.1 中相應總負荷的 55%

### 橫向隔壁

頂端最大負荷            A13.2 中相應總負荷的 45%

底端最大負荷            A13.2 中相應總負荷的 60%

.4 在考慮到表 A13-5 和表 A13-6 所表示的負荷的垂向分佈的情況下，水平木板的厚度也可按下式確定：

$$t=10a\sqrt{\frac{p \times k}{h \times 2091.8}}$$

式中：

t=木板厚度（毫米）

a=板的水平跨距，即立柱間的距離（米）

h=從穀物頂部到隔壁的底部的高度（米）

p=從表中求得的單位長度總負荷（牛頓）

k=按負荷垂向分佈而定的系數。

假定負荷的垂向分佈是均勻的，即矩形分佈，k 應取為 1.0。

對於梯形分佈，則

$$k=1.0 + 0.06 (50-R)$$

式中：

R 為從表 A13-5 或表 A13-6 所查得的上端支承反作用負荷。

## .5 拉索或撐柱

拉索或撐柱的尺寸應這樣來確定，即從表 A13-1 至表 A13-4 中求得的負荷不應超過破斷負荷的三分之一。

## 14 托盤

14.1 為了減少傾側力矩，僅在按 2.2 規定的“平艙滿載艙”內，在艙口位置的縱向隔壁可以用托盤代替，但裝運亞麻子和具有類似性質的其他種子的情況除外。在該種情況下，托盤不可用來代替縱向隔壁。如設置縱向隔壁，應符合 A10.9 的要求。

14.2 量自托盤底部至甲板線的托盤深度應如下：

- .1 對於型寬在 9.1 米以下的船舶，不小於 1.2 米。
- .2 對於型寬為 18.3 米或 18.3 米以上的船舶，不小於 1.8 米。
- .3 對於型寬在 9.1 米和 18.3 米之間的船舶，托盤的最小深度應用內插法計算。

14.3 托盤的頂部（盤口）應由艙口範圍的甲板下結構，即艙口邊桁材或圍板及艙口端樑所構成。托盤和其上面的艙口都應全都以放置在墊隔布或其等效物上的袋裝貨物或其他適宜貨物所填充，並應與鄰近的構件緊靠堆裝，以使之與這種物件有相當於按 A14.2 規定的一半深度或更大深度的支承接觸。如果船殼結構沒有這種支承表面，托盤應由鋼絲繩、鏈條或按 A17.1.4 規定的雙股鋼帶固定在位置上，而離開間隔不得大於 2.4 米。

## 15 散裝穀物捆包

作為另一方法，在“平艙滿載”的艙內，可用散裝貨物捆包代替袋裝穀物或其他適宜貨物來填裝托盤，但需：

- .1 固定捆包在應有位置的尺寸和方法與 A14.2 和 A14.3 中對托盤的規定相同。
- .2 托盤頂上備有適當的固定裝置，托盤內襯以經主管機關同意的材料，這種材料具有每 5 厘米寬的狹條不小於 2,687 牛頓的抗拉強度。
- .3 如果托盤具有下述結構，亦可使用經主管機關同意的具有每 5 厘米寬狹條不小於 1,344 牛頓的抗拉強度材料，作為變通辦法，來代替 A15.2 的要求：
  - .3.1 用幾根經主管機關同意的橫向綁繩放置在插入散裝貨物內的托盤內面，其間距不大於 2.4 米。這些綁繩應有足夠長度，使能拉緊並固定在托盤的頂上。
  - .3.2 用厚度不小於 25 毫米和寬度為 150 至 300 毫米的木墊板或其他同等強度的適當材料，沿首尾方向放置在這些綁繩上，以防止應放在托盤內的襯裏材料被割破或擦傷。
- .4 托盤內應裝滿散裝貨物，並在頂上加以固定。但當使用 A15.3 認可的材料時，襯裏材料在包裹起來之後，在用綁繩捆紮使托盤固定之前，還應將木墊板放在捆包的頂上。
- .5 如用一張以上的襯裏材料來墊托盤，則各張材料應在盤底縫合或加以鉤邊折迭。
- .6 托盤的頂部應與安裝就位的艙口活動樑的底部相迭合，並在托盤的頂上，用適宜的雜貨或散裝貨物放置於活動樑之間。

## 16 面上堆裝佈置

16.1 如利用袋裝穀物或其他適宜貨載以固定“部分裝載”艙，穀物自由表面應予平整並應蓋上墊隔布或其等效物或用一個合適的平台予以覆蓋。這種平台應由在間距不大於 1.2 米的墊木上方放置間距不大於 100 毫米、厚 25 毫米的木板所組成。平台也可用經主管機關認為是等效的其他材料構成。

16.2 應在平台或墊隔布上用袋裝穀物緊密地堆裝，堆裝高度不小於穀物自由表面最大寬度的十六分之一或 1.2 米，取其大者。

16.3 袋裝穀物應裝在牢固的袋中並應妥善裝滿，牢固封口。

16.4 緊密堆裝的其他適宜貨物並在至少能施加按照 A16.2 規定的堆裝的袋裝貨物相同壓力時，可用於代替袋裝穀物。

## 17 捆紮或綁縛

為了消除部分裝載艙內的傾側力矩，當利用捆紮或綁縛時，應按下列方式固定：

- .1 穀物應加以平艙和整平至使頂部略呈拱形，並以墊隔用的粗帆布、艙蓋布或等效物覆蓋。
- .2 墊隔用的粗帆布和（或）艙蓋布應至少搭接 1.8 米。
- .3 應鋪設二層滿鋪的木地板，每塊木塊厚約 25 毫米、寬 150 至 300 毫米，上層地板縱向鋪置，釘於底層橫向鋪置的地板上。亦可採用另一種辦法，即用一層滿鋪地板，厚 50 毫米，縱向鋪置，釘於厚 50 毫米，寬度不少於 150 毫米的底墊木上。這些底墊木應延伸到艙的全寬，其間隔距離不超

過 2.4 米。利用其他材料製成的裝置，經主管機關認為與上述裝置等效者，也可加以採用。

- .4 鋼絲繩(直徑 19 毫米或等效者)、雙層鋼帶(50 毫米 × 1.3 毫米，破斷拉力至少 49 千牛頓)，或同等強度的鏈條，每一件皆用 32 毫米的鬆緊旋扣旋緊者，均可作為綁縛的工具。當使用鋼帶時，採用與鎖制桿連用的絞車拉緊器可以代替 32 毫米的鬆緊旋扣，但應備有必要的供拉緊用的適當扳手。使用鋼帶時，至少應有 3 個折卷封頭用來繫固端部。使用鋼絲繩時，至少應有 4 個鋼繩夾用來構成綁繩的眼環。
- .5 在完成裝載之前，綁繩應用一種 25 毫米的卸扣或同等強度的樑夾具牢固地連接於船體骨架上，連接點是在預計的貨物最終表面以下約 450 毫米處。
- .6 各根綁繩的放置間距不應超過 2.4 米，每根要由釘在縱向地板上的墊木予以支持。這種墊木應由不小於 25 毫米 × 150 毫米的木材或其等效物所組成，並應延伸到該艙的全寬。
- .7 在航次中，應對鋼帶經常進行檢查，必要時應重新收緊。

#### 18 用鋼絲網固定

為了消除“部分裝載”艙內的穀物傾側力矩，當利用捆紮或綁縛時，作為對 A17 中所述辦法的替代辦法，可按下述方法固定：

- .1 穀物應加以平艙和整平，沿艙的前後中心線略呈拱形。
- .2 穀物的整個表面應用隔墊用的粗帆布、艙蓋布或等效物覆蓋。覆蓋的材料應具有每 5 厘米寬的狹條不小於 1,344 牛頓的抗拉強度。



- .3 在粗帆布或其他覆蓋物頂部應有二層鋼絲加強材網。底層應橫向放置，頂層應縱向放置。鋼絲網的長度至少搭接 75 毫米。頂層網放置在底層網上的方式是這樣的，即由兩層所構成的正方形約為 75 毫米 × 75 毫米。鋼絲加強材網所用類型應是加強的實物結構。它應由 3 毫米直徑鋼絲織成，其破損強度不小於 52 千牛頓/厘米<sup>2</sup>，焊接成 150 毫米 × 150 毫米的正方形。可使用帶鏽皮的鋼絲網，但不能使用帶稀疏的、薄片狀鏽的網。
- .4 在艙的左右兩舷的鋼絲網的邊緣應用 150 毫米 × 50 毫米木板固定。
- .5 從艙的一邊拉到另一邊的固定綁繩放置的間距不大於 2.4 米，但第一根與最後一根綁繩與前後舷牆的距離分別不應大於 300 毫米。在完成裝載前，綁繩應用一種 25 毫米的卸扣或同等強度的樑夾具牢固連接於船體骨架上，連接點是在預計的穀物最終表面以下約 450 毫米處。綁繩應從這點引出通過 A18.1.4 中所述邊緣木板的上方，其功能為分擔綁繩所施加的向下壓力。每根綁繩底下垂直於船中線面上的中間處應鋪置二層 150 毫米 × 25 毫米的木板並延伸至整個船艙寬度。
- .6 固定綁繩應由鋼絲繩（19 毫米直徑或等效者）、雙層鋼帶（50 毫米 × 1.3 毫米，破斷拉力至少 49 千牛頓）或等效強度的鏈條，每一件皆用 32 毫米的鬆緊旋扣旋緊。當使用鋼帶時，採用與鎖制桿連用的絞車拉緊器可以代替 32 毫米的鬆緊旋扣，但應備有必要的供拉緊用的適當搬手。當使

用鋼帶時，至少應有 3 個折卷封頭用來繫固端部。使用鋼絲繩時，至少應有 4 個鋼繩夾用來構成綁繩的眼環。

- .7 在航次中，應對固定綁繩經常進行檢查，必要時應重新收緊。

## B 部分

## 假定傾側力矩和一般假定的計算

## 1 一般假定

1.1 為了計算裝運散裝穀物的船舶由於貨物表面移動產生的有害傾側力矩，應假定：

- .1 按照 A10.2 的規定經過平艙的滿載艙內，在所有對水平面的傾角小於 30 度的限界面下存在一個空檔，該空檔與邊界表面平行，其平均深度按下列公式計算：

$$Vd = Vd_1 + 0.75 (d - 600) \text{ 毫米}$$

式中：

$Vd$  = 空檔平均深度（毫米）；

$Vd_1$  = 下面表 1-1 所列標準空檔深度；

$d$  = 實際桁材深度（毫米）。

在任何情況下， $Vd$  值概不得小於 100 毫米。

表 B1-1

從艙口端或艙口邊 到貨艙邊界的距離	標準空檔深度 $Vd$
米	毫米
0.5	570

從艙口端或艙口邊 到貨艙邊界的距離	標準空檔深度 Vd
1.0	530
1.5	500
2.0	480
2.5	450
3.0	440
3.5	430
4.0	430
4.5	430
5.0	430
5.5	450
6.0	470
6.5	490
7.0	520
7.5	550
8.0	590

表 B1-1 註：

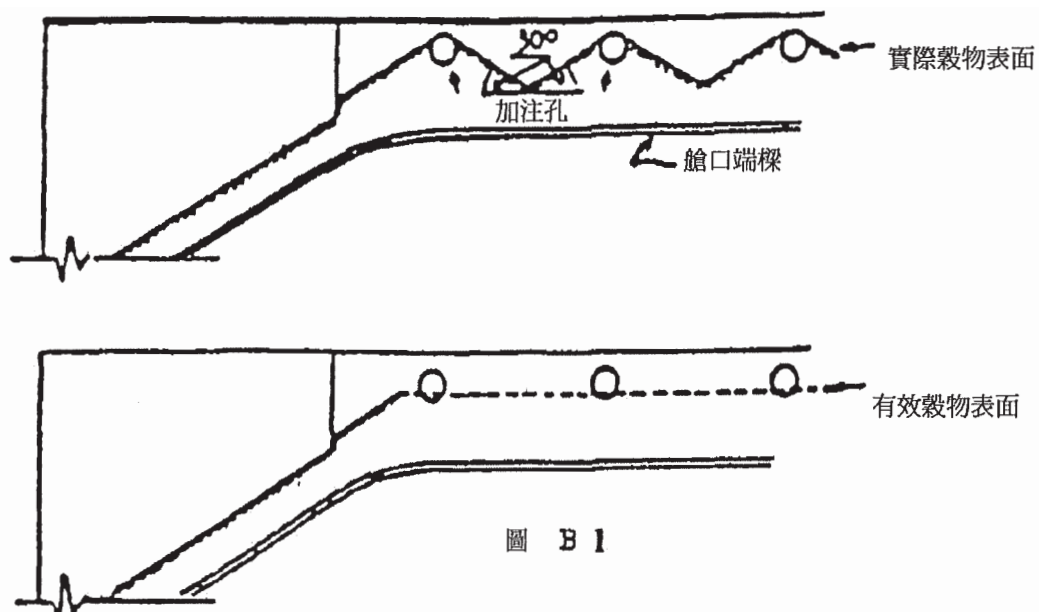
- (1) 如距離大於 8.0 米，如長度每增加 1 米，深度增加 80 毫米時，標準空檔深度 ( $Vd_1$ ) 可按線性外插法計算。
- (2) 在艙的舷側區域，邊界距離應為艙口邊桁材線或艙口端橫樑線到艙邊的垂直距離，取其大者。桁材深度 ( $d$ ) 應採用艙口邊桁材的深度或艙口端橫樑的深度，取其小者。

- (3) 當在艙口之外有一升高甲板時，則量自升高甲板下邊的空檔平均深度，應以標準空檔深度加上艙口端橫樑的桁材深度，再加上升高甲板的高度來計算。
- .2 在裝滿的艙口內，除在艙口蓋內任何開敞的空檔外，有一個自艙口蓋最低部分或艙口邊圍板的頂端（取得較低者）量至貨物表面的平均深度為 150 毫米的空檔。
- .3 按 A10.3.1 規定免於從艙口外圍進行平艙的“未平艙滿載艙”應假定裝載後的穀物表面從有空檔的開口邊緣到水平面從所有方向有 30 度角傾斜到甲板下的空檔。
- .4 按 A10.3.2 規定在艙端免於平艙的“未平艙滿載艙”裏，應假定裝載後穀物表面從艙口端樑下邊到裝滿區域從所有方向均有 30 度角的傾斜。但如按表 B1-2 規定的在艙口端樑上有加注孔，那末裝載後穀物表面應假定作為圖 B1 所示實際貨物表面的頂端和低部中間數的艙口端樑上的一線算起從所有方向有 30 度角的傾斜。

表 B1-2

最小直徑 (毫米)	面積 (厘米 <sup>2</sup> )	最大間距 (米)
90	63.6	.60
100	78.5	.75
110	95.0	.90
120	113.1	1.07
130	133.0	1.25

最小直徑 (毫米)	面積 (厘米 <sup>2</sup> )	最大間距 (米)
140	154.0	1.45
150	177.0	1.67
160	201.0	1.90
170 或以上	227.0	2.00 最大值



1.2 在部分裝置艙內，假定穀物表面變動形狀的說明包括在 B5 內。

1.3 為了證明符合 A7 的穩性標準，通常應根據假定“平艙滿載艙”的貨物重心就是整個貨物處所的體積中心來進行船舶的穩性計算。在某些情況下，如主管機關批准在“平艙滿載艙”內應考慮甲板下方各假定空檔對貨物重心的垂向位置的影響時，則有必要按下式用增加由於貨物橫向移動的假定傾側力矩，以補償穀物表面垂向移動的有害影響：

$$\text{總傾側力矩} = 1.06 \times \text{計算的橫向傾側力矩。}$$

在所有情況下，在“平艙滿載艙”內貨物的重量應為整個貨物處所的容積除以積載因素。

1.4 在“未平艙滿載艙”內貨物重心應為不計空檔的整個貨艙的體積中心。在所有情況下，貨物重量應為貨物體積(以 B1.1.3 或 B1.1.4 所述假定得出)除以積載因素。

1.5 在部分裝載艙內，應按下式計算穀物表面垂直移動的有害影響：

總傾側力矩 = 1.12 × 計算的橫向傾側力矩。

1.6 B1.3 和 B1.5 所要求的補償，可採用任何其他等效方法。

## 2 平艙滿載艙的假定體積傾側力矩

### 通則

2.1 穀物表面移動的形狀與通過所考慮的該艙某一部分的橫剖面有關，該部分的總力矩應以所得傾側力矩乘以長度求得。

2.2 由於穀物移動而假定的橫向傾側力矩，是穀物從高邊向低邊移動後，各空檔形狀和位置最終變更的結果。

2.3 移動後所得到的穀物表面，應假定為與水平成 15 度角。

2.4 計算相對於縱向構件所能形成的最大空檔面積時，任何水平面的影響，例如折邊或面材，應忽略不計。

2.5 初始和最終的空檔總面積應相等。

2.6 穀密的縱向結構構件可被認為對其全深度有效，但在這些構件是作為減少貨物移動的有害影響設施時除外，在該時應適用 A10.9 的規定。

2.7 一個不連續的縱向隔壁，應認為對其全長有效。

### 假定

在下述各段內，一個艙的假定總傾側力矩是由分別考慮下列各部分的結果相加而得：



## 2.8 各艙口的以前和以後部分：

- .1 如果一個艙間有兩個或兩個以上的主艙口可進行裝載，則這些艙口之間一部分（或幾部分）的甲板下空檔深度，應以艙口以前及以後至兩艙口間中點的距離確定。
- .2 假定穀物移動之後，最終的空檔形狀應如圖 B2-1 所示。

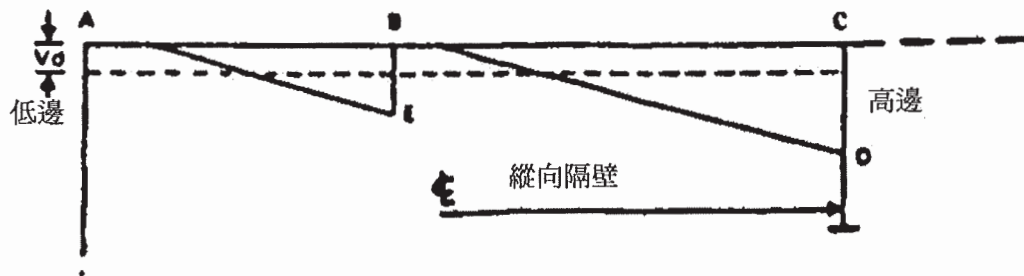


圖 B2-1

圖 B2-1 註：

- (1) 如靠着 B 處桁材所能形成的最大空檔面積，小於在 AB 之下空檔的初始面積，即  $AB \times Vd$ ，則多餘的面積應假定轉移到高邊的最終空檔。
- (2) 如果，舉例說，C 處的縱向隔壁係根據 A10.9 規定設置者，則該隔壁應向下延伸低於 D 或 E 點至少 0.6 米，取其較深者。

## 2.9

- .1 設有縱向隔壁的各艙口內和兩側

假定貨物移動之後，最終的空檔形狀應如圖 B2-2 或圖 B2-3 所示：

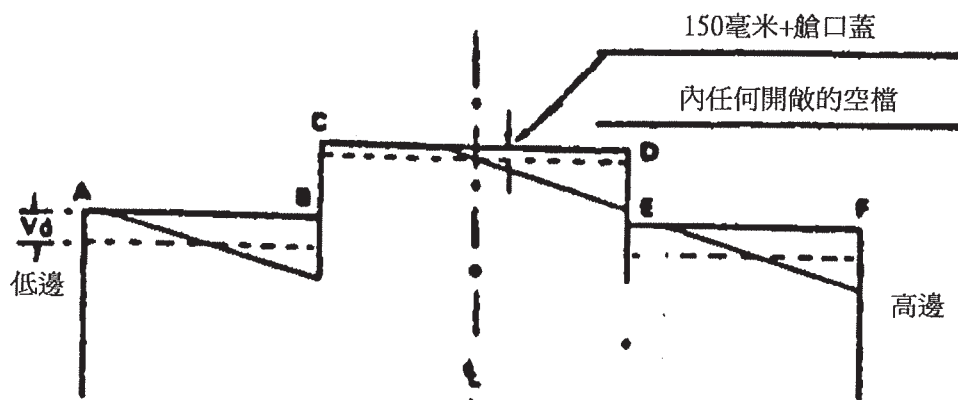


圖 B2-2

圖 B2-2 註：

- (1) AB 處：任何對着 B 處桁材所能形成的多餘面積，應轉移到艙口內的最終空檔面積。
- (2) CD 處：任何對着 E 處桁材所能形成的多餘面積，應轉移到高邊的最終空檔面積。

.2 設有縱向隔壁的各艙口內和兩側：

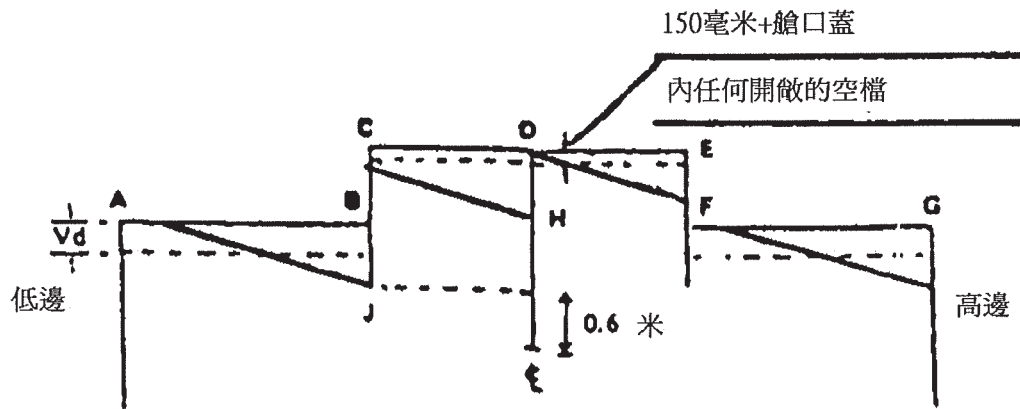


圖 B2-3

圖 B2-3 註：

- (1) AB 處的多餘空檔面積應轉移到艙口內低半邊，在此艙口內將形成兩個分開的最終空檔面積，即一個靠着中心線隔壁，另一個靠着在高邊的艙口邊圍板和桁材。
- (2) 如果艙口內構成一袋裝托盤或散裝貨物捆包，則為了計算橫向傾側力矩，應假定這種設施至少可與中心線隔壁等效。
- (3) 如果中心線隔壁已按 A10.9 的規定設置，則該隔壁應向下延伸低於 H 或 J 點至少 0.6 米，取其深者。

### 連通裝載艙

下列各段說明當各艙作連通裝載時，應假定空檔變動的形狀：

#### 2.10 未設置有效的中心線隔壁：

- .1 在上層甲板下方 – 當作 B2.8.2 和 B2.9.1 所述的單層甲板佈置。

- .2 在第二層甲板下方 - 供從低邊轉移的空檔面積，即原面積減去靠於艙口邊桁材的空檔面積，應假定轉移如下：

一半轉移到上甲板的艙口內，四分之一轉移到上甲板下方的高邊，另四分之一轉移到第二層甲板的高邊。

- .3 在第三層及更低的甲板下方 - 供從這些甲板的每一低邊轉移的空檔面積應假定為按相等的數量轉移到各層甲板下方高邊的所有空檔和上甲板艙口內的空檔。

#### 2.11 設有延伸到上甲板艙口內的有效的中心線隔壁：

- .1 在所有甲板水平面內的隔壁兩側，供從低邊轉移的空檔面積，應假定轉移到上甲板艙口低半邊下方的空檔內。

- .2 在直接位於隔壁底端下面的一層甲板的水平面內，供從低邊轉移的空檔面積，應假定轉移如下：

一半轉移到上甲板艙口低半邊下方的空檔，其餘按相等數量轉移到各層甲板下方高邊的各空檔內。

- .3 在低於 B2.11.1 或 B2.11.2 中所述的各甲板水平面內，所有供從這些甲板每層低邊轉移的空檔面積，應假定按相等數量轉移到上甲板艙口內的隔壁兩邊的每一空檔內，以及各層甲板下方高邊的各空檔內。

#### 2.12 設有未延伸到上甲板艙口內的有效的中心線隔壁：

由於在與隔壁相同的甲板水平面內可假定不發生空檔在水平方向的轉移，所以在此水平面內供從低邊轉移的空檔面積，應假定為按照 B2.10 和 B2.11 的原則，轉移到隔壁上方各高邊的空檔內。

### 3 未平艙滿載艙的假定體積傾側力矩

3.1 B2 中所載“平艙滿載艙”的所有規定，除下邊說明者外，也適用於“未平艙滿載艙”。

3.2 在按照 A10.3.1 規定免於從艙口外圍平艙的“未平艙滿載艙”內：

- .1 在移動後所得的貨物表面應假定與水平面成 25 度角。但如果在該艙艙口的前部、後邊或兩側的任何部位，在該部位的空檔的平均橫斷面積等於或小於適用 B1.1 所得到的面積，則在該部位移動後貨物表面的角度應假定與水平面成 15 度角；和
- .2 該艙的任何橫向部位的空檔面積應假定與貨物轉移之前和之後相同，即應假定在貨物轉移時，未發生另外的添注。

3.3 在按照 A10.3.2 規定在艙口端部、前邊和後部免於平艙的“未平艙滿載艙”內：

- .1 移動後艙口兩側所得貨物表面應假定與水平面成 15 度角；和
- .2 移動後，艙口的端部、前部或後部所得貨物表面應假定為與水平面成 25 度角。

### 4 圍阱的假定體積傾側力矩

在假定的貨物移動後，其最終空檔形狀如圖 B4 所示：

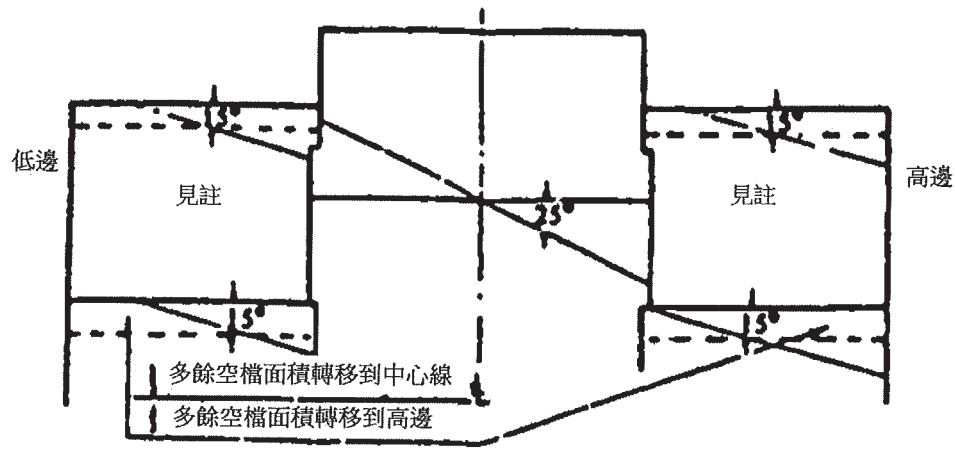


圖 B4

圖 B4 註：

位於圍阱的兩側處所如不能按 A10 作適當的平艙，則應假定會發生 25 度的表面移動

#### 5 部分裝載艙的假定體積傾側力矩

5.1 當散裝貨物的自由表面未經按照 A16、A17 或 A18 加以固定時，假定穀物表面在移動之後與水平面成 25 度角。

5.2 在一部分裝載艙內，如設置有隔壁，則該隔壁應從貨物表面上該艙最大寬度的八分之一處延伸至穀物表面下的同樣距離。

5.3 在某一艙內，如果縱向隔壁在該艙的橫向邊界之間不連續，則任何此種作為阻止穀物表面作全寬度移動的隔壁有效長度，應取該隔壁的實際長度減去該隔壁與相鄰隔壁之間或該隔壁與船舷之間的較大橫向距離的七分之二。這個修正對上層艙間可以是滿載艙或是部分裝載艙的任何連通裝載的底層艙不適用。

## 6 其他假定

主管機關或代表一個主管機關的締約政府在其認為裝載或結構安排符合 A7 中穩性標準的情況下，可批准背離本規則中所包括的假定。當按本規定給予這種批准時，批准書或穀物裝載資料中應包括具體細節。

## RESOLUTION MSC.23(59)

(adopted on 23 May 1991)

ADOPTION OF THE INTERNATIONAL CODE FOR THE  
SAFE CARRIAGE OF GRAIN IN BULK

THE MARITIME SAFETY COMMITTEE,

RECALLING Article 28(b) of the Convention on the International Maritime Organization concerning the functions of the Committee,

NOTING part C of revised chapter VI of the International Convention for the Safety of Life at Sea, 1974 (SOLAS 74), adopted by resolution MSC.22(59) which, *inter alia*, makes the provisions of the International Code for the Safe Carriage of Grain in Bulk mandatory under that Convention,

HAVING CONSIDERED the text of the proposed Code,

1. ADOPTS the International Code for the Safe Carriage of Grain in Bulk, the text of which is set out in the Annex to the present resolution;
2. DECIDES that the Code shall take effect on 1 January 1994; and
3. REQUESTS the Secretary-General to transmit to the Members of the Organization and all Contracting Governments to SOLAS 74 certified copies of the present resolution and the Code.



## ANNEX

## PART A

## SPECIFIC REQUIREMENTS

## 1 APPLICATION

1.1 This Code applies to ships regardless of size, including those of less than 500 tons gross tonnage, engaged in the carriage of grain in bulk, to which part C of chapter VI of the 1974 SOLAS Convention, as amended, applies.

1.2 For the purpose of this Code:

the expression "ships constructed" means "ships the keels of which are laid or which are at a similar stage of construction".

## 2 DEFINITIONS

2.1 The term "grain" covers wheat, maize (corn), oats, rye, barley, rice, pulses, seeds and processed forms thereof, whose behaviour is similar to that of grain in its natural state.

2.2 The term "filled compartment, trimmed", refers to any cargo space in which, after loading and trimming as required under A 10.2, the bulk grain is at its highest possible level.

2.3 The term "filled compartment, untrimmed", refers to a cargo space which is filled to the maximum extent possible in way of the hatch opening but which has not been trimmed outside the periphery of the hatch opening either by the provisions of A 10.3.1 for all ships or A 10.3.2 for specially suitable compartments.

2.4 The term "partly filled compartment" refers to any cargo space wherein the bulk grain is not loaded in the manner prescribed in A 2.2 or A 2.3.

2.5 The term "angle of flooding" ( $\theta_1$ ) means the angle of heel at which openings in the hull, superstructures or deckhouses, which cannot be closed weathertight, immerse. In applying this definition, small openings through which progressive flooding cannot take place need not be considered as open.

2.6 The term "stowage factor", for the purposes of calculating the grain heeling moment caused by a shift of grain, means the volume per unit weight of the cargo as attested by the loading facility, i.e. no allowance shall be made for lost space when the cargo space is nominally filled.

2.7 The term "specially suitable compartment" refers to a cargo space which is constructed with at least two vertical or sloping, longitudinal, grain-tight divisions which are coincident with the hatch side girders or are so positioned as to limit the effect of any transverse shift of grain. If sloping, the divisions shall have an inclination of not less than 30° to the horizontal.

### 3 DOCUMENT OF AUTHORIZATION

3.1 A document of authorization shall be issued for every ship loaded in accordance with the regulations of this Code either by the Administration or an organization recognized by it or by a Contracting Government on behalf of the Administration. It shall be accepted as evidence that the ship is capable of complying with the requirements of these regulations.

3.2 The document shall accompany or be incorporated into the grain loading manual provided to enable the master to meet the requirements of A 7. The manual shall meet the requirements of A 6.3.

3.3 Such a document, grain loading stability data and associated plans may be drawn up in the official language or languages of the issuing country. If the language used is neither English nor French, the text shall include a translation into one of these languages.

3.4 A copy of such a document, grain loading stability data and associated plans shall be placed on board in order that the master, if so required, shall produce them for the inspection of the Contracting Government of the country of the port of loading.

3.5 A ship without such a document of authorization shall not load grain until the master demonstrates to the satisfaction of the Administration, or of the Contracting Government of the port of loading acting on behalf of the Administration, that, in its loaded condition for the intended voyage, the ship complies with the requirements of this Code. See also A 8.3 and A 9.

### 4 EQUIVALENTS

Where an equivalent accepted by the Administration in accordance with regulation I/5 of the International Convention for the Safety of Life at Sea, 1974, as amended, is used, particulars shall be included in the document of authorization or in the grain loading manual.

### 5 EXEMPTIONS FOR CERTAIN VOYAGES

The Administration, or a Contracting Government on behalf of the Administration, may, if it considers that the sheltered nature and conditions of the voyage are such as to render the application of any of the requirements of this Code unreasonable or unnecessary, exempt from those particular requirements individual ships or classes of ships.

### 6 INFORMATION REGARDING SHIP'S STABILITY AND GRAIN LOADING

6.1 Information in printed booklet form shall be provided to enable the master to ensure that the ship complies with this Code when carrying grain in bulk on an international voyage. This information shall include that which is listed in A 6.2 and A 6.3.

6.2 Information which shall be acceptable to the Administration or to a Contracting Government on behalf of the Administration shall include:

- .1 ship's particulars;

- .2 lightship displacement and the vertical distance from the intersection of the moulded base line and midship section to the centre of gravity (KG);
- .3 table of liquid free surface corrections;
- .4 capacities and centres of gravity;
- .5 curve or table of angle of flooding, where less than 40°, at all permissible displacements;
- .6 curves or tables of hydrostatic properties suitable for the range of operating drafts; and
- .7 cross curves of stability which are sufficient for the purpose of the requirements in A 7 and which include curves at 12° and 40°.

6.3 Information which shall be approved by the Administration or by a Contracting Government on behalf of the Administration shall include:

- .1 curves or tables of volumes, vertical centres of volumes, and assumed volumetric heeling moments for every compartment, filled or partly filled, or combination thereof, including the effects of temporary fittings;
- .2 tables or curves of maximum permissible heeling moments for varying displacements and varying vertical centres of gravity to allow the master to demonstrate compliance with the requirements of A 7.1;  

this requirement shall apply only to ships the keels of which are laid on or after the entry into force of this Code;
- .3 details of the scantlings of any temporary fittings and, where applicable, the provisions necessary to meet the requirements of A 7, A 8 and A 9;
- .4 loading instructions in the form of notes summarizing the requirements of this Code;
- .5 a worked example for the guidance of the master; and
- .6 typical loaded service departure and arrival conditions and where necessary intermediate worst service conditions.

## 7 STABILITY REQUIREMENTS

7.1 The intact stability characteristics of any ship carrying bulk grain shall be shown to meet, throughout the voyage, at least the following criteria after taking into account in the manner described in part B of this Code and, in figure A 7, the heeling moments due to grain shift:

- .1 the angle of heel due to the shift of grain shall not be greater than 12° or in the case of ships constructed on or after 1 January 1994 the angle at which the deck edge is immersed, whichever is the lesser;
- .2 in the statical stability diagram, the net or residual area between the heeling arm curve and the righting arm curve up to the angle of heel of maximum difference between the ordinates of the two curves, or 40° or the angle of flooding ( $\theta_1$ ), whichever is the least, shall in all conditions of loading be not less than 0.075 metre-radians; and
- .3 the initial metacentric height, after correction for the free surface effects of liquids in tanks, shall be not less than 0.30 m.

7.2 Before loading bulk grain the master shall, if so required by the Contracting Government of the country of the port of loading, demonstrate the ability of the ship at all stages of any voyage to comply with the stability criteria required by this section.

7.3 After loading, the master shall ensure that the ship is upright before proceeding to sea.

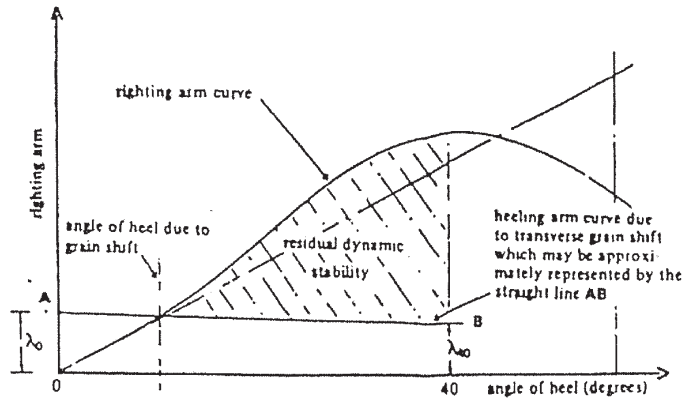


Figure A7

Notes on figure A7

(1) Where:

$$\lambda_0 = \frac{\text{assumed volumetric heeling moment due to transverse shift}}{\text{stowage factor} \times \text{displacement}};$$

$$\lambda_{40} = 0.8 \times \lambda_0;$$

Stowage factor = volume per unit weight of grain cargo;

Displacement = weight of ship, fuel, fresh water, stores etc and cargo

(2) The righting arm curve shall be derived from cross-curves which are sufficient in number to accurately define the curve for the purpose of these requirements and shall include cross-curves at 12° and 40°.

## 8 STABILITY REQUIREMENTS FOR EXISTING SHIPS

8.1 For the purposes of this section the term "existing ship" means a ship, the keel of which is laid before 25 May 1980.

8.2 An existing ship loaded in accordance with documents previously approved under regulation 12 of chapter VI of SOLAS 1960, IMO resolutions A.184(VI) or A.264(VIII) shall be considered to have intact stability characteristics at least equivalent to the requirements of A 7 of this Code. Documents of authorization permitting such loadings shall be accepted for the purposes of A 7.2.

8.3 Existing ships not having on board a document of authorization issued in accordance with A 3 of this Code may apply the provisions of A 9 without limitation on the deadweight which may be used for the carriage of bulk grain.

9 OPTIONAL STABILITY REQUIREMENTS FOR SHIPS WITHOUT DOCUMENTS OF AUTHORIZATION CARRYING PARTIAL CARGOES OF BULK GRAIN

9.1 A ship not having on board a document of authorization issued in accordance with A 3 of this Code may be permitted to load bulk grain provided that:

- .1 the total weight of the bulk grain shall not exceed one third of the deadweight of the ship;
- .2 all "filled compartments, trimmed" shall be fitted with centreline divisions extending, for the full length of such compartments, downwards from the underside of the deck or hatch covers to a distance below the deck line of at least one eighth of the maximum breadth of the compartment or 2.4 m, whichever is the greater except that saucers constructed in accordance with A 14 may be accepted in lieu of a centreline division in and beneath a hatchway except in the case of linseed and other seeds having similar properties;
- .3 all hatches to "filled compartments, trimmed" shall be closed and covers secured in place;
- .4 all free grain surfaces in partly filled cargo space shall be trimmed level and secured in accordance with A 16, A 17 or A 18;
- .5 throughout the voyage the metacentric height after correction for the free surface effects of liquids in tanks shall be 0.3 m or that given by the following formula whichever is the greater:

$$GM_R = \frac{L B V_d (0.25 B - 0.645 \sqrt{V_d B})}{SF \times \Delta \times 0.0875}$$

Where:

L = total combined length of all full compartments (metres)

B = moulded breadth of the vessel (metres)

SF = stowage factor (cubic metres per tonne)

Vd = calculated average void depth calculated in accordance with B.1 (metres - Note: not millimetres)

= displacement (tonnes); and

- .6 the master demonstrates to the satisfaction of the Administration or the Contracting Government of the port of loading on behalf of the Administration that the ship in its proposed loaded condition will comply with the requirements of this section.

#### 10 STOWAGE OF BULK GRAIN

10.1 All necessary and reasonable trimming shall be performed to level all free grain surfaces and to minimize the effect of grain shifting.

10.2 In any "filled compartment, trimmed", the bulk grain shall be trimmed so as to fill all spaces under the decks and hatch covers to the maximum extent possible.

10.3 In any "filled compartment, untrimmed" the bulk grain shall be filled to the maximum extent possible in way of the hatch opening but may be at its natural angle of repose outside the periphery of the hatch opening. A "filled compartment" may qualify for this classification if it falls into one of the following categories:

- .1 the Administration issuing the document of authorization may, under B 6, grant dispensation from trimming in those cases where the underdeck void geometry resulting from free flowing grain into a compartment, which may be provided with feeder ducts, perforated decks or other similar means, is taken into account when calculating the void depths; or
- .2 the compartment is "specially suitable" as defined in A 2.7, in which case dispensation may be granted from trimming the ends of that compartment.

10.4 If there is no bulk grain or other cargo above a lower cargo space containing grain, the hatch covers shall be secured in an approved manner having regard to the mass and permanent arrangements provided for securing such covers.

10.5 When bulk grain is stowed on top of closed 'tween-deck hatch covers which are not grain-tight, such covers shall be made grain-tight by taping the joints, covering the entire hatchway with tarpaulins or separation cloths, or other suitable means.

10.6 After loading, all free grain surfaces in "partly filled compartments" shall be level.

10.7 Unless account is taken of the adverse heeling effect due to the grain shift according to this Code, the surface of the bulk grain in any "partly filled compartment" shall be secured so as to prevent a grain shift by overstowing as described in A 16. Alternatively, in "partly filled compartments", the bulk grain surface may be secured by strapping or lashing as described in A 17 or A 18.

10.8 Lower cargo spaces and 'tween-deck spaces in way thereof may be loaded as one compartment provided that, in calculating transverse heeling moments, proper account is taken of the flow of grain into the lower spaces.

10.9 In "filled compartments, trimmed", "filled compartments, untrimmed", and "partly filled compartments", longitudinal divisions may be installed as a device to reduce the adverse heeling effect of grain shift provided that:

- .1 the division is grain-tight;
- .2 the construction meets the requirements of A 11, A 12 and A 13; and
- .3 in 'tween-decks the division extends from deck to deck and in other cargo spaces the division extends downwards from the underside of the deck or hatch covers, as described in B 2.8.2, note (2), B 2.9.2, note (3), or B 5.2, as applicable.

## 11 STRENGTH OF GRAIN FITTINGS

### 11.1 Timber

All timber used for grain fittings shall be of good sound quality and of a type and grade which has been proved to be satisfactory for this purpose. The actual finished dimensions of the timber shall be in accordance with the dimensions specified below. Plywood of an exterior type bonded with waterproof glue and fitted so that the direction of the grain in the face plies is perpendicular to the supporting uprights or binder may be used provided that its strength is equivalent to that of solid timber of the appropriate scantlings.

### 11.2 Working stresses

When calculating the dimensions of divisions loaded on one side, using tables A 13-1 to A 13-6, the following working stresses should be adopted:

For divisions of steel  $19.6 \text{ kN/cm}^2$   
For divisions of wood  $1.57 \text{ kN/cm}^2$

(1 newton is equivalent to 0.102 kilograms)

### 11.3 Other materials

Materials other than wood or steel may be approved for such divisions provided that proper regard has been paid to their mechanical properties.

### 11.4 Uprights

- .1 Unless means are provided to prevent the ends of uprights being dislodged from their sockets, the depth of housing at each end of each upright shall be not less than 75 mm. If an upright is not secured at the top, the uppermost shore or stay shall be fitted as near thereto as is practicable.
- .2 The arrangements provided for inserting shifting boards by removing a part of the cross-section of an upright shall be such that the local level of stresses is not unduly high.

- .3 The maximum bending moment imposed upon an upright supporting a division loaded on one side shall normally be calculated assuming that the ends of the uprights are freely supported. However, if an Administration is satisfied that any degree of fixity assumed will be achieved in practice, account may be taken of any reduction in the maximum bending moment arising from any degree of fixity provided at the ends of the upright.

#### 11.5 Composite section

Where uprights, binders or any other strength members are formed by two separate sections, one fitted on each side of a division and interconnected by through bolts at adequate spacing, the effective section modulus shall be taken as the sum of the two moduli of the separate sections.

#### 11.6 Partial division

Where divisions do not extend to the full depth of the cargo space such divisions and their uprights shall be supported or stayed so as to be as efficient as those which do extend to the full depth of the cargo space.

### 12 DIVISIONS LOADED ON BOTH SIDES

#### 12.1 Shifting boards

- .1 Shifting boards shall have a thickness of not less than 50 mm and shall be fitted grain-tight and where necessary supported by uprights.
- .2 The maximum unsupported span for shifting boards of various thicknesses shall be as follows:

Thickness	Maximum unsupported span
50 mm	2.5 m
60 mm	3.0 m
70 mm	3.5 m
80 mm	4.0 m.

If thicknesses greater than these are provided the maximum unsupported span will vary directly with the increase in thickness.

- .3 The ends of all shifting boards shall be securely housed with 75 mm minimum bearing length.

#### 12.2 Other materials

Divisions formed by using materials other than wood shall have a strength equivalent to the shifting boards required in A 12.1.

#### 12.3 Uprights

- .1 Steel uprights used to support divisions loaded on both sides shall have a section modulus given by

$$W = a \times W_1$$



Where:

W = section modulus in cubic centimetres;  
a = horizontal span between uprights in metres.

The section modulus per metre span  $W_1$  shall be not less than that given by the formula:

$$W_1 = 14.8(h_1 - 1.2)\text{cm}^3/\text{m}$$

Where:

$h_1$  is the vertical unsupported span in metres and shall be taken as the maximum value of the distance between any two adjacent stays or between a stay and either end of the upright. Where this distance is less than 2.4 m the respective modulus shall be calculated as if the actual value were 2.4 m.

- .2 The moduli of wood uprights shall be determined by multiplying by 12.5 the corresponding moduli for steel uprights. If other materials are used their moduli shall be at least that required for steel increased in proportion to the ratio of the permissible stresses for steel to that of the material used. In such cases attention shall be paid also to the relative rigidity of each upright to ensure that the deflection is not excessive.
- .3 The horizontal distance between uprights shall be such that the unsupported spans of the shifting boards do not exceed the maximum span specified in A 12.1.3.

#### 12.4 Shores

- .1 Wood shores, when used, shall be in a single piece and shall be securely fixed at each end and heeled against the permanent structure of the ship except that they shall not bear directly against the side plating of the ship.
- .2 Subject to the provisions of A 12.4.3 and A 12.4.4, the minimum size of wood shores shall be as follows:

Length of shore in metres	Rectangular section mm	Diameter of circular section mm
Not exceeding 3 m	150 x 100	140
Over 3 m but not exceeding 5 m	150 x 150	165
Over 5 m but not exceeding 6 m	150 x 150	180
Over 6 m but not exceeding 7 m	200 x 150	190
Over 7 m but not exceeding 8 m	200 x 150	200
Exceeding 8 m	200 x 150	215

Shores of 7 m or more in length shall be securely bridged at approximately mid-length.

- .3 When the horizontal distance between the uprights differs significantly from 4 m the moments of inertia of the shores may be changed in direct proportion.
- .4 Where the angle of the shore to the horizontal exceeds  $10^\circ$  the next larger shore to that required by A 12.4.2 shall be fitted provided that in no case shall the angle between any shore and the horizontal exceed  $45^\circ$ .

#### 12.5 Stays

Where stays are used to support divisions loaded on both sides, they shall be fitted horizontally or as near thereto as practicable, well secured at each end and formed of steel wire rope. The sizes of the wire rope shall be determined assuming that the divisions and upright which the stay supports are uniformly loaded at  $4.9 \text{ kN/m}^2$ . The working load so assumed in the stay shall not exceed one third of its breaking load.

#### 13 DIVISIONS LOADED ON ONE SIDE ONLY

##### 13.1 Longitudinal divisions

The load (P) in newtons per metre length of the divisions shall be taken as follows:

- .1 Table A 13-1

B (m)								
h(m)	2	3	4	5	6	7	8	10
1.50	8.336	8.826	9.905	12.013	14.710	17.358	20.202	25.939
2.00	13.631	14.759	16.769	19.466	22.506	25.546	28.733	35.206
2.50	19.466	21.182	23.830	26.870	30.303	33.686	37.265	44.473
3.00	25.644	27.900	30.891	34.323	38.099	41.874	45.797	53.740
3.50	31.823	34.568	37.952	41.727	45.895	50.014	54.329	63.008
4.00	38.148	41.286	45.013	49.180	53.691	58.202	62.861	72.275
4.50	44.473	47.955	52.073	56.584	61.488	66.342	71.392	81.542
5.00	50.847	54.623	59.134	64.037	69.284	74.531	79.924	90.810
6.00	63.498	68.009	73.256	78.894	84.877	90.859	96.988	109.344

Where: h = height of grain in metres from the bottom of the division. When the cargo space is filled, the height (h) shall be taken to the overhead deck in way of the division. In a hatchway or where the distance from a division to a hatchway is 1 m or less, the height (h) shall be taken to the level of the grain in the hatchway.

B = transverse extent of the bulk grain in metres.

- .2 Linear interpolation within table A 13-1 may be used for intermediate values of B and for intermediate values of h when h is equal to or less than 6.0 m.
- .3 For values of h exceeding 6.0 m the load (P) in newtons per metre length of the divisions may be determined from table A 13-2 by entering with the ratio B/h and utilizing the formula:

$$P = f \times h^2$$

- .4 Table A 13-2

B/h	f	I/h	f
0.2	1.687	2.0	3.380
0.3	1.742	2.2	3.586
0.4	1.809	2.4	3.792
0.5	1.889	2.6	3.998
0.6	1.976	2.8	4.204
0.7	2.064	3.0	4.410
0.8	2.159	3.5	4.925
1.0	2.358	4.0	5.440
1.2	2.556	5.0	6.469
1.4	2.762	6.0	7.499
1.6	2.968	8.0	9.559
1.8	3.174		

### 13.2 Transverse divisions

The load (P) in newtons per metre length of the divisions shall be taken as follows:

.1 Table A 13-3

L (m)											
h(m)	2	3	4	5	6	7	8	10	12	14	16
1.50	6.570	6.767	7.159	7.649	8.189	8.728	9.169	9.807	10.199	10.297	10.297
2.00	10.199	10.787	11.474	12.209	12.994	13.729	14.416	15.445	16.083	16.279	16.279
2.50	14.318	15.347	16.426	17.456	18.437	19.417	20.349	21.673	22.408	22.604	22.604
3.00	18.878	20.251	21.624	22.948	24.222	25.399	26.429	27.900	28.684	28.930	28.930
3.50	23.781	25.546	27.164	28.733	30.155	31.430	32.558	34.127	35.010	35.255	35.255
4.00	28.930	30.989	32.901	34.667	36.187	37.559	38.736	40.403	41.286	41.531	41.580
4.50	34.274	36.530	38.638	40.501	42.120	43.542	44.767	46.582	47.562	47.856	47.905
5.00	39.717	42.218	44.473	46.434	48.151	49.622	50.897	52.809	53.839	54.182	54.231
6.00	50.749	53.593	56.094	58.301	60.164	61.782	63.204	65.263	66.440	66.832	66.930

Where: h = height of grain in metres from the bottom of the division. When the cargo space is filled, the height (h) shall be taken to the overhead deck in way of the division. In a hatchway, or where the distance from a division to a hatchway is 1 m or less, the height (h) shall be taken to the level of the grain in the hatchway.

L = longitudinal extent of the bulk grain in metres.

- .2 Intermediate values of L and intermediate values of h when h is equal to or less than 6.0 m may be determined by linear interpolation using table A 13-3.
- .3 For values of h exceeding 6.0 m the load (P) in newtons per metre length of the divisions may be determined from table A 13-4 by entering with the ratio L/h and utilizing the formula:

$$P = f \times h^2$$

.4 Table A 13-4

L/h	f	L/h	f
0.2	1.334	2.0	1.846
0.3	1.395	2.2	1.853
0.4	1.444	2.4	1.857
0.5	1.489	2.6	1.859
0.6	1.532	2.8	1.859
0.7	1.571	3.0	1.859
0.8	1.606	3.5	1.859
1.0	1.671	4.0	1.859
1.2	1.725	5.0	1.859
1.4	1.769	6.0	1.859
1.6	1.803	8.0	1.859
1.8	1.829		

13.3 The total load per unit length of divisions shown in tables A 13-1 to A 13-4 inclusive may, if considered necessary, be assumed to have a trapezoidal distribution with height. In such cases, the reaction loads at the upper and lower ends of a vertical member or upright are not equal. The reaction loads at the upper end expressed as percentages of the total load supported by the vertical member or upright may be taken to be those shown in tables A 13-5 and A 13-6.

.1 Table A 13-5: Longitudinal divisions loaded on one side only

Bearing reaction at the upper end of upright as a percentage of load from A 13.1

B (m)								
h (m)	2	3	4	5	6	7	8	10
1.5	43.3	45.1	45.9	46.2	46.2	46.2	46.2	46.2
2	44.5	46.7	47.6	47.8	47.8	47.8	47.8	47.8
2.5	45.4	47.6	48.6	48.8	48.8	48.8	48.8	48.8
3	46.0	48.3	49.2	49.4	49.4	49.4	49.4	49.4
3.5	46.5	48.8	49.7	49.8	49.8	49.8	49.8	49.8
4	47.0	49.1	49.9	50.1	50.1	50.1	50.1	50.1
4.5	47.4	49.4	50.1	50.2	50.2	50.2	50.2	50.2
5	47.7	49.4	50.1	50.2	50.2	50.2	50.2	50.2
6	47.9	49.5	50.1	50.2	50.2	50.2	50.2	50.2
7	47.9	49.5	50.1	50.2	50.2	50.2	50.2	50.2
8	47.9	49.5	50.1	50.2	50.2	50.2	50.2	50.2
9	47.9	49.5	50.1	50.2	50.2	50.2	50.2	50.2
10	47.9	49.5	50.1	50.2	50.2	50.2	50.2	50.2

B = transverse extent of the bulk grain in metres

For other values of h or B the reaction loads shall be determined by linear interpolation or extrapolation as necessary.

## .2 Table A 13-6: Transverse divisions loaded on one side only

Bearing reaction at the upper end of upright as a percentage of load from A 13.2

L (m)											
h(m)	2	3	4	5	6	7	8	10	12	14	16
1.5	37.3	38.7	39.7	40.6	41.4	42.1	42.6	43.6	44.3	44.8	45.0
2	39.6	40.6	41.4	42.1	42.7	43.1	43.6	44.3	44.7	45.0	45.2
2.5	41.0	41.8	42.5	43.0	43.5	43.8	44.2	44.7	45.0	45.2	45.2
3	42.1	42.8	43.3	43.8	44.2	44.5	44.7	45.0	45.2	45.3	45.3
3.5	42.9	43.5	43.9	44.3	44.6	44.8	45.0	45.2	45.3	45.3	45.3
4	43.5	44.0	44.4	44.7	44.9	45.0	45.2	45.4	45.4	45.4	45.4
5	43.9	44.3	44.6	44.8	45.0	45.2	45.3	45.5	45.5	45.5	45.5
6	44.2	44.5	44.8	45.0	45.2	45.3	45.4	45.6	45.6	45.6	45.6
7	44.3	44.6	44.9	45.1	45.3	45.4	45.5	45.6	45.6	45.6	45.6
8	44.3	44.6	44.9	45.1	45.3	45.4	45.5	45.6	45.6	45.6	45.6
9	44.3	44.6	44.9	45.1	45.3	45.4	45.5	45.6	45.6	45.6	45.6
10	44.3	44.6	44.9	45.1	45.3	45.4	45.5	45.6	45.6	45.6	45.6

L = longitudinal extent of the bulk grain in metres

For other values of h or L the reaction loads shall be determined by linear interpolation or extrapolation as necessary.

- .3 The strength of the end connections of such vertical members or uprights may be calculated on the basis of the maximum load likely to be imposed at either end. These loads are as follows:

Longitudinal divisions

Maximum load at the top 50% of the appropriate total load from A 13.1

Maximum load at the bottom 55% of the appropriate total load from A 13.1

Transverse divisions

Maximum load at the top 45% of the appropriate total load from A 13.2

Maximum load at the bottom 60% of the appropriate total load from A 13.2

- .4 The thickness of horizontal wooden boards may also be determined having regard to the vertical distribution of the loading represented by tables A 13-5 and A 13-6 and in such cases

$$t = 10a \sqrt{\frac{p \times k}{h \times 2091.8}}$$

Where:

t = thickness of board in millimetres  
a = horizontal span of the board, i.e. distance between uprights in metres  
h = head of grain to the bottom of the division in metres  
p = total load per unit length derived from the tables in newtons  
k = factor dependent upon vertical distribution of the loading.

When the vertical distribution of the loading is assumed to be uniform, i.e. rectangular, k shall be taken as equal to 1.0.  
For a trapezoidal distribution

$$k = 1.0 + 0.06 (50 - R)$$

Where:

R is the upper end bearing reaction taken from table A 13-5 or A 13-6.

#### .5 Stays or shores

The sizes of stays and shores shall be so determined that the loads derived from tables A 13-1 to A 13-4 inclusive shall not exceed one third of the breaking loads.

#### 14 SAUCERS

14.1 For the purpose of reducing the heeling moment a saucer may be used in place of a longitudinal division in way of a hatch opening only in a "filled, trimmed" compartment as defined in A 2.2, except in the case of linseed and other seeds having similar properties, where a saucer may not be substituted for a longitudinal division. If a longitudinal division is provided, it shall meet the requirements of A 10.9.

14.2 The depth of the saucer, measured from the bottom of the saucer to the deck line, shall be as follows:

- .1 For ships with a moulded breadth of up to 9.1 m, not less than 1.2 m.
- .2 For ships with a moulded breadth of 18.3 m or more, not less than 1.8 m.
- .3 For ships with a moulded breadth between 9.1 m and 18.3 m, the minimum depth of the saucer shall be calculated by interpolation.

14.3 The top (mouth) of the saucer shall be formed by the underdeck structure in way of the hatchway, i.e. hatch side girders or coamings and hatch end beams. The saucer and hatchway above shall be completely filled with bagged grain or other suitable cargo laid down on a separation cloth or its equivalent and stowed tightly against adjacent structure so as to have a bearing contact with such structure to a depth equal to or greater than one half of the depth specified in A 14.2. If hull structure to provide such bearing surface is not available, the saucer shall be fixed in position by steel wire rope, chain, or double steel strapping as specified in A 17.1.4 and spaced not more than 2.4 m apart.

#### 15 BUNDLING OF BULK GRAIN

As an alternative to filling the saucer in a "filled, trimmed" compartment with bagged grain or other suitable cargo a bundle of bulk grain may be used provided that:

- .1 The dimensions and means for securing the bundle in place are the same as specified for a saucer in A 14.2 and A 14.3.
- .2 The saucer is lined with a material acceptable to the Administration having a tensile strength of not less than 2,687 N per 5 cm strip and which is provided with suitable means for securing at the top.
- .3 As an alternative to A 15.2, a material acceptable to the Administration having a tensile strength of not less than 1,344 N per 5 cm strip may be used if the saucer is constructed as follows:
  - .3.1 Athwartship lashings acceptable to the Administration shall be placed inside the saucer formed in the bulk grain at intervals of not more than 2.4 m. These lashings shall be of sufficient length to permit being drawn up tight and secured at the top of the saucer.
  - .3.2 Dunnage not less than 25 mm in thickness or other suitable material of equal strength and between 150 mm and 300 mm in width shall be placed fore and aft over these lashings to prevent the cutting or chafing of the material which shall be placed thereon to line the saucer.
- .4 The saucer shall be filled with bulk grain and secured at the top except that when using material approved under A 15.3 further dunnage shall be laid on top after lapping the material before the saucer is secured by setting up the lashings.
- .5 If more than one sheet of material is used to line the saucer they shall be joined at the bottom either by sewing or by a double lap.
- .6 The top of the saucer shall be coincidental with the bottom of the beams when these are in place and suitable general cargo or bulk grain may be placed between the beams on top of the saucer.



## 16 OVERSTOWING ARRANGEMENTS

16.1 Where bagged grain or other suitable cargo is utilized for the purpose of securing "partly filled" compartments, the free grain surface shall be level and shall be covered with a separation cloth or equivalent or by a suitable platform. Such platform shall consist of bearers spaced not more than 1.2 m apart and 25 mm boards laid thereon spaced not more than 100 mm apart. Platforms may be constructed of other materials provided they are deemed by the Administration to be equivalent.

16.2 The platform or separation cloth shall be topped off with bagged grain tightly stowed and extending to a height of not less than one sixteenth of the maximum breadth of the free grain surface or 1.2 m, whichever is the greater.

16.3 The bagged grain shall be carried in sound bags which shall be well filled and securely closed.

16.4 Instead of bagged grain, other suitable cargo tightly stowed and exerting at least the same pressure as bagged grain stowed in accordance with A 16.2 may be used.

## 17 STRAPPING OR LASHING

When, in order to eliminate heeling moments in partly filled compartments, strapping or lashing is utilized, the securing shall be accomplished as follows:

- .1 The grain shall be trimmed and levelled to the extent that it is very slightly crowned and covered with burlap separation cloths, tarpaulins or the equivalent.
- .2 The separation cloths and/or tarpaulins shall overlap by at least 1.8 m.
- .3 Two solid floors of rough 25 mm by 150 mm to 300 mm lumber shall be laid with the top floor running longitudinally and nailed to an athwartships bottom floor. Alternatively, one solid floor of 50 mm lumber, running longitudinally and nailed over the top of a 50 mm bottom bearer not less than 150 mm wide, may be used. The bottom bearers shall extend the full breadth of the compartment and shall be spaced not more than 2.4 m apart. Arrangements utilizing other materials and deemed by the Administration to be equivalent to the foregoing may be accepted.
- .4 Steel wire rope (19 mm diameter or equivalent), double steel strapping (50 mm x 1.3 mm and having a breaking load of at least 49 kN), or chain of equivalent strength, each of which shall be set tightly by means of a 32 mm turnbuckle, may be used for lashings. A winch tightener, used in conjunction with a locking arm, may be substituted for the 32 mm turnbuckle when steel strapping is used, provided suitable wrenches are available for setting up as necessary. When steel strapping is used, not less than three crimp seals shall be used for securing the ends. When wire is used, not less than four clips shall be used for forming eyes in the lashings.

- .5 Prior to the completion of loading the lashing shall be positively attached to the framing at a point approximately 450 mm below the anticipated final grain surface by means of either a 25 mm shackle or beam clamp of equivalent strength.
- .6 The lashings shall be spaced not more than 2.4 m apart and each shall be supported by a bearer nailed over the top of the fore and aft floor. This bearer shall consist of lumber of not less than 25 mm by 150 mm or its equivalent and shall extend the full breadth of the compartment.
- .7 During the voyage the strapping shall be regularly inspected and set up where necessary.

#### 18 SECURING WITH WIRE MESH

When, in order to eliminate grain heeling moments in "partly filled" compartments, strapping or lashing is utilized, the securing may, as an alternative to the method described in A 17, be accomplished as follows:

- .1 The grain shall be trimmed and levelled to the extent that it is very slightly crowned along the fore and aft centreline of the compartment.
- .2 The entire surface of the grain shall be covered with burlap separation cloths, tarpaulins, or the equivalent. The covering material shall have a tensile strength of not less than 1,344 N per 5 cm strip.
- .3 Two layers of wire reinforcement mesh shall be laid on top of the burlap or other covering. The bottom layer is to be laid athwartships and the top layer is to be laid longitudinally. The lengths of wire mesh are to be overlapped at least 75 mm. The top layer of mesh is to be positioned over the bottom layer in such a manner that the squares formed by the alternate layers measure approximately 75 mm by 75 mm. The wire reinforcement mesh is the type used in reinforced concrete construction. It is fabricated of 3 mm diameter steel wire having a breaking strength of not less than 52 kN/cm<sup>2</sup>, welded in 150 mm x 150 mm squares. Wire mesh having mill scale may be used but mesh having loose, flaking rust may not be used.
- .4 The boundaries of the wire mesh, at the port and starboard side of the compartment, shall be retained by wood planks 150 mm x 50 mm.
- .5 Hold-down lashings, running from side to side across the compartment, shall be spaced not more than 2.4 m apart except that the first and the last lashing shall not be more than 300 mm from the forward or after bulkhead, respectively. Prior to the completion of the loading, each lashing shall be positively attached to the framing at a point approximately 450 mm below the anticipated final grain surface by means of either a 25 mm shackle or beam clamp of equivalent strength. The lashing shall be led from this point over the top of the boundary plank described in A 18.1.4, which has the function of distributing the downward pressure exerted by the lashing. Two layers of 150 mm x 25 mm planks shall be laid athwartships centred beneath each lashing and extending the full breadth of the compartment.

- .6 The hold-down lashings shall consist of steel wire rope (19 mm diameter or equivalent), double steel strapping (50 mm x 1.3 mm and having a breaking load of at least 49 kN), or chain of equivalent strength, each of which shall be set tight by means of a 32 mm turnbuckle. A winch tightener, used in conjunction with a locking arm, may be substituted for the 32 mm turnbuckle when steel strapping is used, provided suitable wrenches are available for setting up as necessary. When steel strapping is used, not less than three crimp seals shall be used for securing the ends. When wire rope is used, not less than four clips shall be used for forming eyes in the lashings.
- .7 During the voyage the hold-down lashings shall be regularly inspected and set up where necessary.

## PART B

CALCULATION OF ASSUMED HEELING MOMENTS  
AND GENERAL ASSUMPTIONS

## 1 GENERAL ASSUMPTIONS

1.1 For the purpose of calculating the adverse heeling moment due to a shift of cargo surface in ships carrying bulk grain it shall be assumed that:

- .1 In filled compartments which have been trimmed in accordance with A 10.2, a void exists under all boundary surfaces having an inclination to the horizontal less than 30° and that the void is parallel to the boundary surface having an average depth calculated according to the formula:

$$Vd = Vd_1 + 0.75 (d - 600) \text{ mm}$$

Where:

Vd = average void depth in millimetres:

Vd<sub>1</sub> = standard void depth from table B 1-1 below:

d = actual girder depth in millimetres.

In no case shall Vd be assumed to be less than 100 mm.

Table B 1-1

Distance from hatch end or hatch side to boundary of compartment	Standard void depth Vd.
metres	millimetres
0.5	570
1.0	530
1.5	500
2.0	480
2.5	450
3.0	440
3.5	430
4.0	430
4.5	430
5.0	430
5.5	450
6.0	470
6.5	490
7.0	520
7.5	550
8.0	590

## Notes on table B 1-1:

- (1) For boundary distances greater than 8.0 m the standard void depth ( $Vd_1$ ) shall be linearly extrapolated at 80 mm increase for each 1.0 m increase in length.
- (2) In the corner area of a compartment the boundary distance shall be the perpendicular distance from the line of the hatch side girder or the line of the hatch end beam to the boundary of the compartment, whichever is the greater. The girder depth (d) shall be taken to be the depth of the hatch side girder or the hatch end beam, whichever is the less.
- (3) Where there is a raised deck clear of the hatchway the average void depth measured from the underside of the raised deck shall be calculated using the standard void depth in association with a girder depth of the hatch end beam plus the height of the raised deck.
- .2 Within filled hatchways and in addition to any open void within the hatch cover there is a void of average depth 150 mm measured down to the grain surface from the lowest part of the hatch cover or the top of the hatch side coaming, whichever is the lower.
- .3 In a "filled compartment, untrimmed" which is exempted from trimming outside the periphery of the hatchway by the provisions of A 10.3.1, it shall be assumed that the surface of the grain after loading will slope into the void space underdeck, in all directions, at an angle of 30° to the horizontal from the edge of the opening which establishes the void.
- .4 In a "filled compartment, untrimmed" which is exempted from trimming in the ends of the compartment under the provisions of A 10.3.2, it shall be assumed that the surface of the grain after loading will slope in all directions away from the filling area at an angle of 30° from the lower edge of the hatch end beam. However, if feeding holes are provided in the hatch end beams in accordance with table B 1-2, then the surface of the grain after loading shall be assumed to slope in all directions, at an angle of 30° from a line on the hatch end beam which is the mean of the peaks and valleys of the actual grain surface as shown in figure B 1.

Table B 1-2

Diameter (mm) Minimum	Area (cm <sup>2</sup> )	Spacing (metres) Maximum
90	63.6	.60
100	78.5	.75
110	95.0	.90
120	113.1	1.07
130	133.0	1.25
140	154.0	1.45
150	177.0	1.67
160	201.0	1.90
170 or above	227.0	2.00 maximum

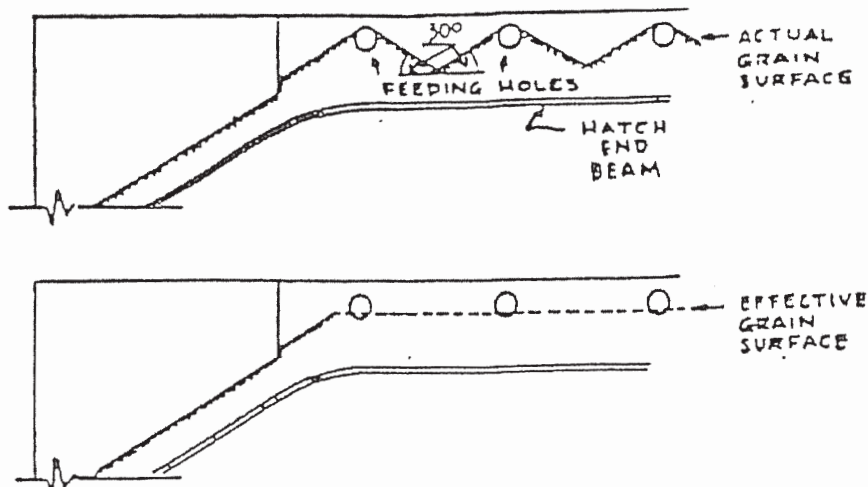


Figure B 1

1.2 The description of the pattern of grain surface behaviour to be assumed in partly filled compartments is contained in B 5.

1.3 For the purpose of demonstrating compliance with the stability criteria in A 7, the ship's stability calculations shall normally be based upon the assumption that the centre of gravity of cargo in a "filled compartment, trimmed" is at the volumetric centre of the whole cargo space. In those cases where the Administration authorizes account to be taken of the effect of assumed underdeck voids on the vertical position of the centre of gravity of the cargo in "filled compartments, trimmed" it will be necessary to compensate for the adverse effect of the vertical shift of grain surfaces by increasing the assumed heeling moment due to the transverse shift of grain as follows:

$$\text{total heeling moment} = 1.06 \times \text{calculated transverse heeling moment.}$$

In all cases the weight of cargo in a "filled compartment, trimmed" shall be the volume of the whole cargo space divided by the stowage factor.

1.4 The centre of gravity of cargo in a "filled compartment, untrimmed" shall be taken to be the volumetric centre of the whole cargo compartment with no account being allowed for voids. In all cases the weight of cargo shall be the volume of the cargo (resulting from the assumptions stated in B 1.1.3 or B 1.1.4) divided by the stowage factor.

1.5 In partly filled compartments the adverse effect of the vertical shift of grain surfaces shall be taken into account as follows:

$$\text{total heeling moment} = 1.12 \times \text{calculated transverse heeling moment.}$$

1.6 Any other equally effective method may be adopted to make the compensation required in B 1.3 and B 1.5.

## 2 ASSUMED VOLUMETRIC HEELING MOMENT OF A FILLED COMPARTMENT, TRIMMED

### General

2.1 The pattern of grain surface movement relates to a transverse section across the portion of the compartment being considered and the resultant heeling moment should be multiplied by the length to obtain the total moment for that portion.

2.2 The assumed transverse heeling moment due to grain shifting is a consequence of final changes of shape and position of voids after grain has moved from the high side to the low side.

2.3 The resulting grain surface after shifting shall be assumed to be at 15° to the horizontal.

2.4 In calculating the maximum void area that can be formed against a longitudinal structural member, the effects of any horizontal surfaces, e.g. flanges or face bars, shall be ignored.

2.5 The total areas of the initial and final voids shall be equal.

2.6 Longitudinal structural members which are grain-tight may be considered effective over their full depth except where they are provided as a device to reduce the adverse effect of grain shift, in which case the provisions of A 10.9 shall apply.

2.7 A discontinuous longitudinal division may be considered effective over its full length.

### Assumptions

In the following paragraphs it is assumed that the total heeling moment for a compartment is obtained by adding the results of separate consideration of the following portions:

#### 2.8 Before and abaft hatchways:

- .1 If a compartment has two or more main hatchways through which loading may take place, the depth of the underdeck void for the portion or portions between such hatchways shall be determined using the fore and aft distance to the midpoint between the hatchways.

- .2 After the assumed shift of grain the final void pattern shall be as shown in figure B 2-1.

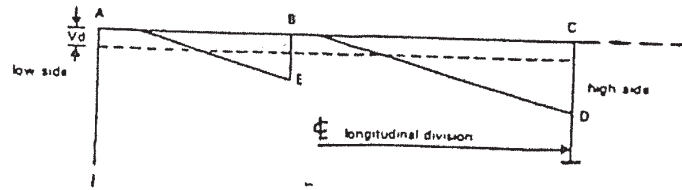


Figure B 2-1

Notes on figure B 2-1

- (1) If the maximum void area which can be formed against the girder at B is less than the initial area of the void under AB, i.e.  $AB \times Vd$ , the excess area shall be assumed to transfer to the final void on the high side.
- (2) If, for example, the longitudinal division at C is one which has been provided in accordance with A 10.9, it shall extend to at least 0.6 m below D or E whichever gives the greater depth.

2.9.

- .1 In and abreast of hatchways without longitudinal division:

After the assumed shift of grain the final void pattern shall be as shown in figure B 2-2 or figure B 2-3:

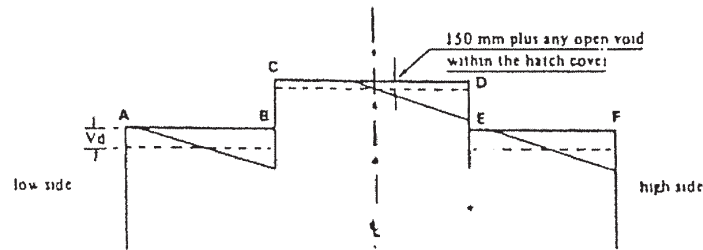


Figure B 2-2

Notes on figure B 2-2:

- (1) AB Any area in excess of that which can be formed against the girder at B shall transfer to the final void area in the hatchway.
- (2) CD Any area in excess of that which can be formed against the girder at E shall transfer to the final void area on the high side.



## .2 In and abreast of hatchways with longitudinal division:

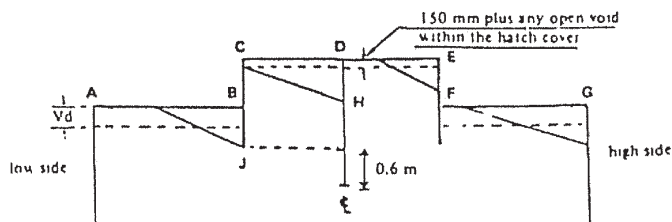


Figure B 2-3

## Notes on figure B 2-3:

- (1) The excess void area from AB shall transfer to the low side half of the hatchway in which two separate final void areas will be formed viz. one against the centreline division and the other against the hatch side coaming and girder on the high side.
- (2) If a bagged saucer or bulk bundle is formed in a hatchway it shall be assumed for the purpose of calculating the transverse heeling moment that such a device is at least equivalent to the centreline division.
- (3) If the centreline division is one which has been provided in accordance with A 10.9, it shall extend to at least 0.6 m below H or J whichever gives the greater depth.

Compartments loaded in combination

The following paragraphs describe the pattern of void behaviour which shall be assumed when compartments are loaded in combination:

## 2.10 Without effective centreline divisions:

- .1 Under the upper deck - as for the single deck arrangement described in B 2.8.2 and B 2.9.1.
- .2 Under the second deck - the area of void available for transfer from the low side, i.e. original void area less area against the hatch side girder, shall be assumed to transfer as follows:
 

one half to the upper deck hatchway and one quarter each to the high side under the upper and second deck.
- .3 Under the third and lower decks - the void areas available for transfer from the low side of each of these decks shall be assumed to transfer in equal quantities to all the voids under the decks on the high side and the void in the upper deck hatchway.

2.11 With effective centreline divisions which extend into the upper deck hatchway:

- .1 At all deck levels abreast of the division the void areas available for transfer from the low side shall be assumed to transfer to the void under the low side half of the upper deck hatchway.
- .2 At the deck level immediately below the bottom of the division the void area available for transfer from the low side shall be assumed to transfer as follows:

one half to the void under the low side half of the upper deck hatchway and the remainder in equal quantities to the voids under the decks on the high side.
- .3 At deck levels lower than those described in B 2.11.1 or B 2.11.2, the void area available for transfer from the low side of each of those decks shall be assumed to transfer in equal quantities to the voids in each of the two halves of the upper deck hatchway on each side of the division and the voids under the decks on the high side.

2.12 With effective centreline divisions which do not extend into the upper deck hatchway:

Since no horizontal transfer of voids may be assumed to take place at the same deck level as the division, the void area available for transfer from the low side at this level shall be assumed to transfer above the division to voids on the high side in accordance with the principles of B 2.10 and B 2.11.

3 ASSUMED VOLUMETRIC HEELING MOMENT OF A FILLED COMPARTMENT, UNTRIMMED

- 3.1 All the provision for "filled compartments, trimmed" set forth in B 2 shall also apply to "filled compartments, untrimmed" except as noted below.
- 3.2 In "filled compartments, untrimmed" which are exempted from trimming outside the periphery of the hatchway under the provisions of A 10.3.1:
  - .1 the resulting grain surface after shifting shall be assumed to be at an angle of  $25^{\circ}$  to the horizontal. However, if in any section of the compartment, forward, aft, or abreast of the hatchway the mean transverse area of the void in that section is equal to or less than the area which would obtain by application of B 1.1, then the angle of grain surface after shifting in that section shall be assumed to be  $15^{\circ}$  to the horizontal; and
  - .2 the void area at any transverse section of the compartment shall be assumed to be the same both before and after the grain shift, i.e. it shall be assumed that additional feeding does not occur at the time of the grain shift.
- 3.3 In "filled compartments, untrimmed" which are exempted from trimming in the ends, forward and aft of the hatchway, under the provisions of A 10.3.2:

- .1 the resulting grain surface abreast of the hatchway after shifting shall be assumed to be at an angle of  $15^\circ$  to the horizontal; and
- .2 the resulting grain surface in the ends, forward and aft of the hatchway after shifting shall be assumed to be at an angle of  $25^\circ$  to the horizontal.

#### 4 ASSUMED VOLUMETRIC HEELING MOMENTS IN TRUNKS

After the assumed shift of grain the final void pattern shall be as shown in figure B 4:

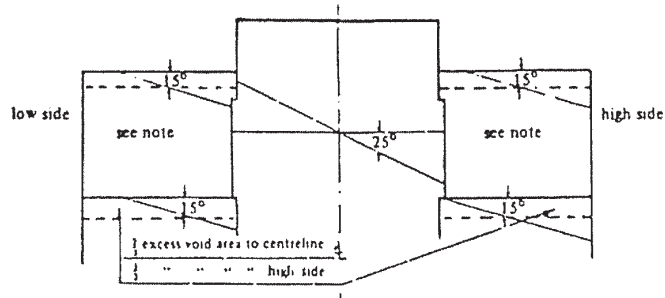


Figure B 4

Note on figure B 4:

If the wing spaces in way of the trunk cannot be properly trimmed in accordance with A 10, it shall be assumed that a  $25^\circ$  surface shift takes place.

#### 5 ASSUMED VOLUMETRIC HEELING MOMENT OF A PARTLY FILLED COMPARTMENT

5.1 When the free surface of the bulk grain has not been secured in accordance with A 16, A 17 or A 18, it shall be assumed that the grain surface after shifting is at  $25^\circ$  to the horizontal.

5.2 In a partly filled compartment, a division, if fitted, shall extend from one eighth of the maximum breadth of the compartment above the level of the grain surface and to the same distance below the grain surface.

5.3 In a compartment in which the longitudinal divisions are not continuous between the transverse boundaries, the length over which any such divisions are effective as devices to prevent full width shifts of grain surfaces shall be taken to be the actual length of the portion of the division under consideration less two sevenths of the greater of the transverse distances between the division and its adjacent division or ship's side. This correction does not apply in the lower compartments of any combination loading in which the upper compartment is either a filled compartment or a partly filled compartment.

#### 6 OTHER ASSUMPTIONS

An Administration or a Contracting Government on behalf of an Administration may authorize departure from the assumptions contained in this Code in those cases where it considers this to be justified having regard to the provisions for loading or structural arrangements provided the stability criteria in A 7 are met. Where such authorization is granted under this regulation, particulars shall be included in the document of authorization or grain loading data.

### 第 54/2014 號行政長官公告

中華人民共和國是國際海事組織的成員國及一九七四年十一月一日訂於倫敦的《國際海上人命安全公約》的締約國；

國際海事組織大會於一九九三年十一月四日透過第 A.741 (18) 號決議通過了《國際船舶安全操作和防止污染管理規則》，且有關規則自一九九九年十二月二十日起對澳門特別行政區生效；

基於此，行政長官根據澳門特別行政區第 3/1999 號法律第六條第一款的規定，命令公佈包含上指規則的第 A.741 (18) 號決議的中文及英文正式文本。

二零一四年九月十二日發佈。

行政長官 崔世安

### Aviso do Chefe do Executivo n.º 54/2014

Considerando que a República Popular da China é um Estado Membro da Organização Marítima Internacional e um Estado Contratante da Convenção Internacional para a Salvaguarda da Vida Humana no Mar, concluída em Londres em 1 de Novembro de 1974;

Considerando igualmente que, em 4 de Novembro de 1993, a Assembleia da Organização Marítima Internacional, através da resolução A.741(18), adoptou o Código Internacional de Gestão para a Segurança da Exploração dos Navios e para a Prevenção da Poluição, e que tal Código entrou em vigor, em relação à Região Administrativa Especial de Macau, em 20 de Dezembro de 1999;

O Chefe do Executivo manda publicar, nos termos do n.º 1 do artigo 6.º da Lei n.º 3/1999 da Região Administrativa Especial de Macau, a resolução A.741(18), que contém o referido Código, nos seus textos autênticos em línguas chinesa e inglesa.

Promulgado em 12 de Setembro de 2014.

O Chefe do Executivo, *Chui Sai On*.

## 第 A.741 (18) 號決議

1993 年 11 月 4 日通過

(第 11 項議程)

### 國際船舶安全操作和防止污染管理規則

(國際安全管理規則)

大會，

憶及《國際海事組織公約》有關大會在海上安全和防止和控制船舶造成海上污染的規則和指南方面的職責的第 15 (j) 條，

還憶及它在第 A.680 (17) 號決議中請會員政府鼓勵負責船舶管理和作業的人員採取必要措施，按照《海事組織船舶安全操作和防污管理指南》，制訂、實施和評估安全和防污管理工作，

還憶及它在第 A.596 (15) 號決議中要求海上安全委員會作為緊急事項，在有關的所有情況下制訂船上和岸上的管理工作指南，並決定在海上安全委員會和海上環境保護委員會的工作方案中分別列入船上安全操作和防止海洋污染的船上和岸上管理工作的事項，

進一步憶及它在第 A.441 (XI) 號決議中請每一國家採取必要措施，確保懸掛其國旗的船舶的所有人向其提供必要的最新資料，使其能識別以合同或其他方式由船舶所有人授權負責該船海上安全和保護海洋環境事項的人員並與此種人員聯繫，

進一步憶及它在第 A.443 (XI) 號決議中請各國政府採取必要措施，保護船長在海上安全和保護海洋環境問題上正當履行其責任的權力，

認識到需要有適當的管理組織滿足船上人員的需要，以達到並保持安全和環境保護的高標準，

還認識到防止海上事故和船舶造成海洋污染的最重要措施，是按照有關海上安全和防止污染的國際公約和標準設計、建造、裝備和維修船舶，並以受過適當培訓的船員操作船舶，

注意到海上安全委員會正在制訂供《1974 年國際海上人命安全公約》（《安全公約》）締約政府通過的要求，這些要求將使符合執行段落 1 中所述的《規則》成為強制性規定，

認識到早日實施該規則將大大有助於改善海上安全和海洋環境保護，

進一步注意到海上安全委員會和海上環境保護委員會在制訂《規則》中已檢查了第 A.680 (17) 號決議及其所附指南，

審議了海上安全委員會在其第六十二次會議上和海上環境保護委員會在其三十四次會議上提出的建議書，

1. 通過載於本決議附件中的《國際船舶安全操作和防止污染管理規則》（《國際安全管理規則》），
2. 強烈敦促各國政府根據強制性採用本規則的進展而定，儘快但不晚於 1998 年 6 月 1 日在國內實施《安管規則》，對懸掛其國旗的客船、油輪、氣體運輸船、散裝船和移動式近海裝置給與優先；

3. 要求各國政府將其為實施《安管規則》所採取的行動通知海上安全委員會和海上環境保護委員會；
4. 要求海上安全委員會和海上環境保護委員會制訂實施《安管規則》的指南；
5. 還要求海上安全委員會和海上環境保護委員會不斷檢查該規則及其有關指南並對其作出必要修正；
6. 廢止第 A.680 (17) 號決議。

## 附件

# 國際船舶安全操作和防止污染管理規則

## （《國際安全管理規則（安管規則）》）

### 安全和防止污染管理要求

#### 目錄

#### 前言

#### 1 總則

##### 1.1 定義

##### 1.2 目標

##### 1.3 適用範圍

##### 1.4 安全管理制度的功能性要求

#### 2 安全和環境保護政策

#### 3 公司的責任和權力

#### 4 指定的人員

#### 5 船長的責任和權力

#### 6 資源和人員

#### 7 制訂船上作業計劃

#### 8 應急準備



- 9 報告和分析不符合規則的情況、事故和危險事件
- 10 船舶和設備的維修保養
- 11 文件
- 12 公司的核實、檢查和評價
- 13 發證、核實和控制

## 前言

- 1 本規則的目的是提供船舶安全管理和操作及防止污染的國際標準。
- 2 大會在其通過的第 A.443 (XI) 號決議中請所有政府採取必要措施保護船長正當履行其海上安全和保護海洋環境的責任。
- 3 大會還在其通過的第 A.680 (17) 號決議中進一步認識到需對管理工作加以適當組織，以滿足船上人員的需要，達到並保持安全和環境保護的高標準。
- 4 鑑於沒有二家船公司或船舶所有人是相同的，船舶是在許多不同條件下營運的，因此該規則是以一般原則和目標為基礎的。
- 5 本規則用一般詞語寫成，以具有廣泛的適用性。顯然，不同水平的管理，不論是岸上或是海上管理，對所述項目要求具有不同水平的知識和認識。
- 6 良好的安全管理的基礎是領導層作出承諾。在安全和防止污染事項方面，各級人員的承諾、勝任、態度和動機決定了最後結果。

## 1 總則

### 1.1 定義

1.1.1 《國際安全管理規則》(《安管規則》) 係指由大會通過，並可由本組織修正的《國際船舶安全操作和防止污染管理規則》。

1.1.2 “公司” 係指船舶的所有人或承擔了船舶所有人的船舶營運責任或根據承擔的責任同意承擔本規則規定的所有職責和責任的任何其他組織或人員，如經營人或光船租賃者。

1.1.3 “主管機關” 係指船舶船旗國政府。

## 1.2 目標

1.2.1 本規則的目標是確保海上安全、防止人員傷亡、避免環境損害，特別是海洋環境損害和避免財產的損害。

1.2.2 公司安全管理目標應包括：

- .1 對船舶營運的安全做法和安全工作環境作出規定；
- .2 制定防止所有已知風險的防範措施；和
- .3 不斷提高岸上和海上人員的安全管理技能，包括防備與安全和環境保護有關的緊急事件。

1.2.3 安全管理制度應確保：

- .1 符合強制性規定和規則；和
- .2 考慮到本組織、主管機關、船級社和海運界組織建議的適用規則、指南和標準。

## 1.3 適用範圍

本規則的要求可適用於一切船舶。

#### 1.4 安全管理制度（安管制度）的功能性要求

每家公司應制訂、實施和保持包括下列功能性要求的安全管理制度：

- .1 安全和環境保護政策；
- .2 確保船舶安全作業和環境保護、符合有關的國際和船旗國立法的指示和程序；
- .3 岸上和船上人員的權限及其聯絡線路；
- .4 報告事故和與本規則不符情況的程序；
- .5 緊急情況的防備和反應程序；和
- .6 內部審計和管理檢查程序。

#### 2 安全和環境保護政策

2.1 公司應制定安全和環境保護政策，應說明如何達到 1.2 款中規定的目標。

2.2 公司應確保船上及岸上各級組織均實施和維護該政策。

#### 3 公司的責任和權力

3.1 如果負責船舶營運的實體不是船舶所有人，所有人必須將該實體的全名和詳情報告主管機關。

3.2 公司應對管理、執行和核證與安全和防污有關或對其有影響的工作的所有人員的責任、權力和相互關係作出規定並制訂成文件。

3.3 公司負責確保提供適當的資源和岸上支持，使被指定人員能履行其職責。

#### 4 指定的人員

為確保每艘船的安全操作，提供公司和船上人員的聯繫，每家公司應視情指定一位或數位能與最高級管理人員直接聯繫的岸上人員。被指定的人員的責任和權力應包括監視每艘船舶操作的安全和防污方面的情況並確保需要提供適當的資源和岸上支持。

#### 5 船長的責任和權力

5.1 公司應對船長下列責任作出明確規定並制訂成文件：

- .1 實施公司的安全和環境保護政策；
- .2 鼓勵船員執行該政策；
- .3 發佈簡潔的適當命令和指示；
- .4 核實遵守了具體要求；和
- .5 檢查安管制度並向岸上管理部門報告其不足處。

5.2 公司應確保船上執行的安管制度，包括強調船長權力的明確說明。公司應在安全和防污決定和要求公司提供必要支援方面具有最高權力和責任。

#### 6 資源和人員

6.1 公司應確保船長：

- .1 有指揮的適當資格；

.2 通曉公司的安全管理制度；和

.3 得到必要支持，以便船長能安全地履行其職責。

6.2 公司應確保每艘船按照國內和國際的要求配備合格、有證書和身體健康的海員。

6.3 公司應制定程序，確保與安全和環境保護有關的新人員和轉到與此有關的新崗位的人員對其職責有一適當熟悉過程。對在開航前必須提供的指示應作出規定、制定成文件並予以提供。

6.4 公司應確保公司安管制度的所有人員對有關規定、規章、規則和指南有適當理解。

6.5 公司制定和維護用以確定支持安管制度所可能需要的任何培訓的程序並確保對所有有關人員提供這種培訓。

6.6 公司應制定程序，確保船舶人員收到的安管制度資料是以工作語文或他們懂得的語文寫成的。

6.7 公司應確保船舶人員能為執行與安管制度有關的職責進行有效聯絡。

## 7 制訂船上作業計劃

公司應制定用以準備與船舶安全和防污的關鍵性船上作業有關的計劃和指示的程序。有關的各種任務應作出規定並分配給有資格的人員。

## 8 應急準備

8.1 公司應制訂對潛在的船上緊急情況作出確定、說明和反應的程序。

8.2 公司應制訂應急行動的操練和演習方案。

8.3 安管制度應對確保公司的組織能隨時對涉及其船舶的危險、事故和緊急情況作出反應的措施作出規定。

## 9 不符合規則的情況、事故和危險事件的報告和分析

9.1 安管制度應包括用以確保向公司報告不符合規則的情況、事故和危險事件並對其作出調查和分析的程序，以改進安全和防污工作。

9.2 公司應制訂實施糾正行動的程序。

## 10 船舶和設備的維修保養

10.1 公司應制定程序，確保船舶按照有關規定和規則，按照公司可能制訂的任何補充要求得到維修保養。

10.2 為符合這些要求，公司應確保：

- .1 在適當間隔進行檢查；
- .2 報告任何不符合情況及其可能原因，如知道的話；
- .3 採取適當糾正行動；和
- .4 保持這些活動的記錄。

10.3 公司應在安管制度中制定程序，確定其操作上失靈可能導致危險局面的設備和技術系統。安管制度應對旨在提高這種設備或系統可靠性的具體措施作出規定。這些措施應包括對不連續使用備用裝置和設備或技術系統的定期檢查。

10.4 10.2 中所述檢查以及 10.3 中所述措施應成為船舶作業維修保養日常工作的組成部分。

## 11 文件

11.1 公司應制定和維護用以控制與安管制度有關的所有文件和資料的程序。

11.2 公司應確保：

- .1 在所有有關位置備有有效文件；
- .2 由被授權人員檢查和核准對文件的改動；和
- .3 及時撤換過時文件。

11.3 用於說明和實施安管制度的文件可被稱為“安全管理手冊”。文件應以公司認為最有效的形式保存。每艘船應在船上攜帶有關該船的全部文件。

## 12 公司的核證、檢查和評價

12.1 公司應進行內部安全檢查，核證安全和防污活動是否符合安全管理制度。

12.2 公司應按照公司制定的程序，定期評價有效性和在需要時檢查安管制度。

12.3 審查和可能的糾正活動應按文件規定的程序進行。

12.4 進行審查的人員應獨立於受審查的部門，但因公司的規模和性質而不可行時除外。

12.5 審查和檢查的結果應提請負責有關方面的所有人員注意。

12.6 負責有關方面的管理人員應對發現的缺陷及時採取改正行動。

### 13 發證、核實和控制

13.1 船舶應由向其頒發了該船的合格證件的公司經營。

13.2 合格證件應頒發給符合《安管規則》要求的每一公司；頒證機關應是主管機關可代表該公司業務地國主管機關、由主管機關或國家政府認可的組織。該文件應視為公司能符合該規則要求的證據。

13.3 該證件的一份副本應放在船上，在有此要求時，由船長出示給主管機關或由其認可的組織供認證。

13.4 主管機關或經主管機關認可的組織應向船舶頒發一份各為“安全管理證書”的證書。當頒發證書時，主管機關應證實公司及其船上管理部門是按照經核准的安管制度工作的。

13.5 主管機關或經主管機關認可的組織應定期核查經核准的船舶安管制度能正常發揮作用。



**Resolution A.741(18)**

Adopted on 4 November 1993  
(Agenda item 11)

**INTERNATIONAL MANAGEMENT CODE FOR THE SAFE OPERATION  
OF SHIPS AND FOR POLLUTION PREVENTION  
(International Safety Management (ISM) Code)**

THE ASSEMBLY,

RECALLING Article 15(j) of the Convention on the International Maritime Organization concerning the functions of the Assembly in relation to regulations and guidelines concerning maritime safety and the prevention and control of marine pollution from ships,

RECALLING ALSO resolution A.680(17), by which it invited Member Governments to encourage those responsible for the management and operation of ships to take appropriate steps to develop, implement and assess safety and pollution-prevention management in accordance with the IMO Guidelines on Management for the Safe Operation of Ships and for Pollution Prevention,

RECALLING ALSO resolution A.596(15), by which it requested the Maritime Safety Committee to develop, as a matter of urgency, guidelines, wherever relevant, concerning shipboard and shore-based management, and its decision to include in the work programme of the Maritime Safety Committee and the Marine Environment Protection Committee an item on shipboard and shore-based management for the safe operation of ships and for the prevention of marine pollution, respectively,

RECALLING FURTHER resolution A.441(XI), by which it invited every State to take the necessary steps to ensure that the owner of a ship which flies the flag of that State provides such State with the current information necessary to enable it to identify and contact the person contracted or otherwise entrusted by the owner to discharge his responsibilities for that ship in regard to matters relating to maritime safety and the protection of the marine environment,

RECALLING FURTHER resolution A.443(XI), by which it invited Governments to take the necessary steps to safeguard the shipmaster in the proper discharge of his responsibilities in regard to maritime safety and the protection of the marine environment,

RECOGNIZING the need for appropriate organization of management to enable it to respond to the need of those on board ships to achieve and maintain high standards of safety and environmental protection,

RECOGNIZING ALSO that the most important means of preventing maritime casualties and pollution of the sea from ships is to design, construct, equip and maintain ships and to operate them with properly trained crews in compliance with international conventions and standards relating to maritime safety and pollution prevention,

NOTING that the Maritime Safety Committee is developing requirements for adoption by Contracting Governments to the International Convention for the Safety of Life at Sea (SOLAS), 1974, which will make compliance with the Code referred to in operative paragraph 1 mandatory,

CONSIDERING that the early implementation of that Code would greatly assist in improving safety at sea and protection of the marine environment,

NOTING FURTHER that the Maritime Safety Committee and the Marine Environment Protection Committee have reviewed resolution A.680(17) and the Guidelines annexed thereto in developing the Code,

HAVING CONSIDERED the recommendations made by the Maritime Safety Committee at its sixty-second session and by the Marine Environment Protection Committee at its thirty-fourth session,

1. ADOPTS the International Management Code for the Safe Operation of Ships and for Pollution Prevention (International Safety Management (ISM) Code), set out in the annex to the present resolution;
2. STRONGLY URGES Governments to implement the ISM Code on a national basis, giving priority to passenger ships, tankers, gas carriers, bulk carriers and mobile offshore units which are flying their flags, as soon as possible but not later than 1 June 1998, pending development of the mandatory application of the Code;
3. REQUESTS Governments to inform the Maritime Safety Committee and the Marine Environment Protection Committee of the action they have taken in implementing the ISM Code;
4. REQUESTS the Maritime Safety Committee and the Marine Environment Protection Committee to develop Guidelines for the implementation of the ISM Code;
5. REQUESTS ALSO the Maritime Safety Committee and the Marine Environment Protection Committee to keep the Code and its associated Guidelines under review and to amend them as necessary;
6. REVOKES resolution A.680(17).

## Annex

### **INTERNATIONAL MANAGEMENT CODE FOR THE SAFE OPERATION OF SHIPS AND FOR POLLUTION PREVENTION (International Safety Management (ISM) Code)**

#### **SAFETY AND POLLUTION-PREVENTION MANAGEMENT REQUIREMENTS**

## Contents

### **PREAMBLE**

#### **1 GENERAL**

1.1 Definitions

1.2 Objectives

1.3 Application

1.4 Functional requirements for a safety-management system (SMS)

#### **2 SAFETY AND ENVIRONMENTAL-PROTECTION POLICY**

#### **3 COMPANY RESPONSIBILITIES AND AUTHORITY**

#### **4 DESIGNATED PERSON(S)**

#### **5 MASTER'S RESPONSIBILITY AND AUTHORITY**

#### **6 RESOURCES AND PERSONNEL**

#### **7 DEVELOPMENT OF PLANS FOR SHIPBOARD OPERATIONS**

#### **8 EMERGENCY PREPAREDNESS**

- 9 REPORTS AND ANALYSIS OF NON-CONFORMITIES, ACCIDENTS AND HAZARDOUS OCCURRENCES
- 10 MAINTENANCE OF THE SHIP AND EQUIPMENT
- 11 DOCUMENTATION
- 12 COMPANY VERIFICATION, REVIEW AND EVALUATION
- 13 CERTIFICATION, VERIFICATION AND CONTROL

## PREAMBLE

- 1 The purpose of this Code is to provide an international standard for the safe management and operation of ships and for pollution prevention.
- 2 The Assembly adopted resolution A.443(XI), by which it invited all Governments to take the necessary steps to safeguard the shipmaster in the proper discharge of his responsibilities with regard to maritime safety and the protection of the marine environment.
- 3 The Assembly also adopted resolution A.680(17), by which it further recognized the need for appropriate organization of management to enable it to respond to the need of those on board ships to achieve and maintain high standards of safety and environmental protection.
- 4 Recognizing that no two shipping companies or shipowners are the same, and that ships operate under a wide range of different conditions, the Code is based on general principles and objectives.
- 5 The Code is expressed in broad terms so that it can have a widespread application. Clearly, different levels of management, whether shore-based or at sea, will require varying levels of knowledge and awareness of the items outlined.
- 6 The cornerstone of good safety management is commitment from the top. In matters of safety and pollution prevention it is the commitment, competence, attitudes and motivation of individuals at all levels that determines the end result.

## 1 GENERAL

### 1.1 Definitions

**1.1.1** *International Safety Management (ISM) Code* means the International Management Code for the Safe Operation of Ships and for Pollution Prevention as adopted by the Assembly, as may be amended by the Organization.

**1.1.2** *Company* means the owner of the ship or any other organization or person such as the manager, or the bareboat charterer, who has assumed the responsibility for operation of the ship from the shipowner and who on assuming such responsibility has agreed to take over all the duties and responsibility imposed by the Code.

**1.1.3** *Administration* means the Government of the State whose flag the ship is entitled to fly.

### 1.2 Objectives

**1.2.1** The objectives of the Code are to ensure safety at sea, prevention of human injury or loss of life, and avoidance of damage to the environment, in particular to the marine environment, and to property.

**1.2.2** Safety-management objectives of the Company should, *inter alia*:

- .1 provide for safe practices in ship operation and a safe working environment;

- .2 establish safeguards against all identified risks; and
- .3 continuously improve safety-management skills of personnel ashore and aboard ships, including preparing for emergencies related both to safety and environmental protection.

**1.2.3** The safety-management system should ensure:

- .1 compliance with mandatory rules and regulations; and
- .2 that applicable codes, guidelines and standards recommended by the Organization, Administrations, classification societies and maritime industry organizations are taken into account.

### **1.3 Application**

The requirements of this Code may be applied to all ships.

### **1.4 Functional requirements for a safety-management system (SMS)**

Every Company should develop, implement and maintain a safety-management system (SMS) which includes the following functional requirements:

- .1 a safety and environmental-protection policy;
- .2 instructions and procedures to ensure safe operation of ships and protection of the environment in compliance with relevant international and flag State legislation;
- .3 defined levels of authority and lines of communication between, and amongst, shore and shipboard personnel;
- .4 procedures for reporting accidents and non-conformities with the provisions of this Code;
- .5 procedures to prepare for and respond to emergency situations; and
- .6 procedures for internal audits and management reviews.

## **2 SAFETY AND ENVIRONMENTAL-PROTECTION POLICY**

**2.1** The Company should establish a safety and environmental-protection policy which describes how the objectives given in paragraph 1.2 will be achieved.

**2.2** The Company should ensure that the policy is implemented and maintained at all levels of the organization, both ship-based as well as shore-based.

## **3 COMPANY RESPONSIBILITIES AND AUTHORITY**

**3.1** If the entity who is responsible for the operation of the ship is other than the owner, the owner must report the full name and details of such entity to the Administration.

**3.2** The Company should define and document the responsibility, authority and interrelation of all personnel who manage, perform and verify work relating to and affecting safety and pollution prevention.

**3.3** The Company is responsible for ensuring that adequate resources and shore-based support are provided to enable the designated person or persons to carry out their functions.

## **4 DESIGNATED PERSON(S)**

To ensure the safe operation of each ship and to provide a link between the company and those on board, every company, as appropriate, should designate a person or persons ashore having direct access to the

highest level of management. The responsibility and authority of the designated person or persons should include monitoring the safety and pollution-prevention aspects of the operation of each ship and ensuring that adequate resources and shore-based support are applied, as required.

## **5 MASTER'S RESPONSIBILITY AND AUTHORITY**

5.1 The Company should clearly define and document the master's responsibility with regard to:

- .1 implementing the safety and environmental-protection policy of the Company;
- .2 motivating the crew in the observation of that policy;
- .3 issuing appropriate orders and instructions in a clear and simple manner;
- .4 verifying that specified requirements are observed; and
- .5 reviewing the SMS and reporting its deficiencies to the shore-based management.

5.2 The Company should ensure that the SMS operating on board the ship contains a clear statement emphasizing the master's authority. The Company should establish in the SMS that the master has the overriding authority and the responsibility to make decisions with respect to safety and pollution prevention and to request the Company's assistance as may be necessary.

## **6 RESOURCES AND PERSONNEL**

6.1 The Company should ensure that the master is:

- .1 properly qualified for command;
- .2 fully conversant with the Company's SMS; and
- .3 given the necessary support so that the master's duties can be safely performed.

6.2 The Company should ensure that each ship is manned with qualified, certificated and medically fit seafarers in accordance with national and international requirements.

6.3 The Company should establish procedures to ensure that new personnel and personnel transferred to new assignments related to safety and protection of the environment are given proper familiarization with their duties. Instructions which are essential to be provided prior to sailing should be identified, documented and given.

6.4 The Company should ensure that all personnel involved in the Company's SMS have an adequate understanding of relevant rules, regulations, codes and guidelines.

6.5 The Company should establish and maintain procedures for identifying any training which may be required in support of the SMS and ensure that such training is provided for all personnel concerned.

6.6 The Company should establish procedures by which the ship's personnel receive relevant information on the SMS in a working language or languages understood by them.

6.7 The Company should ensure that the ship's personnel are able to communicate effectively in the execution of their duties related to the SMS.

## **7 DEVELOPMENT OF PLANS FOR SHIPBOARD OPERATIONS**

The Company should establish procedures for the preparation of plans and instructions for key shipboard operations concerning the safety of the ship and the prevention of pollution. The various tasks involved should be defined and assigned to qualified personnel.

## **8 EMERGENCY PREPAREDNESS**

8.1 The Company should establish procedures to identify, describe and respond to potential emergency shipboard situations.

8.2 The Company should establish programmes for drills and exercises to prepare for emergency actions.

8.3 The SMS should provide for measures ensuring that the Company's organization can respond at any time to hazards, accidents and emergency situations involving its ships.

## **9 REPORTS AND ANALYSIS OF NON-CONFORMITIES, ACCIDENTS AND HAZARDOUS OCCURRENCES**

9.1 The SMS should include procedures ensuring that non-conformities, accidents and hazardous situations are reported to the Company, investigated and analysed with the objective of improving safety and pollution prevention.

9.2 The Company should establish procedures for the implementation of corrective action.

## **10 MAINTENANCE OF THE SHIP AND EQUIPMENT**

10.1 The Company should establish procedures to ensure that the ship is maintained in conformity with the provisions of the relevant rules and regulations and with any additional requirements which may be established by the Company.

10.2 In meeting these requirements the Company should ensure that:

- .1 inspections are held at appropriate intervals;
- .2 any non-conformity is reported, with its possible cause, if known;
- .3 appropriate corrective action is taken; and
- .4 records of these activities are maintained.

10.3 The Company should establish procedures in its SMS to identify equipment and technical systems the sudden operational failure of which may result in hazardous situations. The SMS should provide for specific measures aimed at promoting the reliability of such equipment or systems. These measures should include the regular testing of stand-by arrangements and equipment or technical systems that are not in continuous use.

10.4 The inspections mentioned in 10.2 as well as the measures referred to in 10.3 should be integrated into the ship's operational maintenance routine.

## **11 DOCUMENTATION**

11.1 The Company should establish and maintain procedures to control all documents and data which are relevant to the SMS.

11.2 The Company should ensure that:

- .1 valid documents are available at all relevant locations;
- .2 changes to documents are reviewed and approved by authorized personnel; and
- .3 obsolete documents are promptly removed.

11.3 The documents used to describe and implement the SMS may be referred to as the Safety Management Manual. Documentation should be kept in a form that the Company considers most effective. Each ship should carry on board all documentation relevant to that ship.

## 12 COMPANY VERIFICATION, REVIEW AND EVALUATION

12.1 The Company should carry out internal safety audits to verify whether safety and pollution-prevention activities comply with the SMS.

12.2 The Company should periodically evaluate the efficiency of and, when needed, review the SMS in accordance with procedures established by the Company.

12.3 The audits and possible corrective actions should be carried out in accordance with documented procedures.

12.4 Personnel carrying out audits should be independent of the areas being audited unless this is impracticable due to the size and the nature of the Company.

12.5 The results of the audits and reviews should be brought to the attention of all personnel having responsibility in the area involved.

12.6 The management personnel responsible for the area involved should take timely corrective action on deficiencies found.

## 13 CERTIFICATION, VERIFICATION AND CONTROL

13.1 The ship should be operated by a Company which is issued a document of compliance relevant to that ship.

13.2 A document of compliance should be issued for every Company complying with the requirements of the ISM Code by the Administration, by an organization recognized by the Administration or by the Government of the country acting on behalf of the Administration in which the Company has chosen to conduct its business. This document should be accepted as evidence that the Company is capable of complying with the requirements of the Code.

13.3 A copy of such a document should be placed on board in order that the master, if so asked, may produce it for the verification of the Administration or organizations recognized by it.

13.4 A certificate, called a Safety Management Certificate, should be issued to a ship by the Administration or organization recognized by the Administration. The Administration should, when issuing the certificate, verify that the Company and its shipboard management operate in accordance with the approved SMS.

13.5 The Administration or an organization recognized by the Administration should periodically verify the proper functioning of the ship's SMS as approved.

### 第 55/2014 號行政長官公告

中華人民共和國是國際海事組織的成員國及一九七四年十一月一日訂於倫敦的《國際海上人命安全公約》的締約國；

國際海事組織大會於一九九一年十一月六日透過第A.714 (17) 號決議通過了《貨物積載和繫固安全實用規則》，且有相關規則自一九九九年十二月二十日起對澳門特別行政區生效；

基於此，行政長官根據澳門特別行政區第3/1999號法律第六條第一款的規定，命令公佈包含上指規則的第A.714 (17) 號決議的中文及英文文本。

二零一四年九月十二日發佈。

行政長官 崔世安

### Aviso do Chefe do Executivo n.º 55/2014

Considerando que a República Popular da China é um Estado Membro da Organização Marítima Internacional e um Estado Contratante da Convenção Internacional para a Salvaguarda da Vida Humana no Mar, concluída em Londres em 1 de Novembro de 1974;

Considerando igualmente que, em 6 de Novembro de 1991, a Assembleia da Organização Marítima Internacional, através da resolução A.714(17), adoptou o Código de Prática Segura em Armazenamento e Fixação de Carga, e que tal Código entrou em vigor, em relação à Região Administrativa Especial de Macau, em 20 de Dezembro de 1999;

O Chefe do Executivo manda publicar, nos termos do n.º 1 do artigo 6.º da Lei n.º 3/1999 da Região Administrativa Especial de Macau, a resolução A.714(17), que contém o referido Código, nos seus textos em línguas chinesa e inglesa.

Promulgado em 12 de Setembro de 2014.

O Chefe do Executivo, *Chui Sai On*.

## 第 A.714 (17) 號決議

1991 年 11 月 6 日通過

### 貨物積載和繫固安全實用規則

大會，

憶及《國際海事組織公約》關於大會在海上安全規則和指南方面的職責的第 15 (j) 條，

又憶及關於成組貨物和其他實物在非分格式集裝箱船的安全積載和繫固的第 A.489 (XII) 號決議和海上安全委員會 1985 年 1 月的載有將列入隨船攜帶的《貨物繫固手冊》中的規定的第 MSC/Circ.385 號通函，

還憶及關於在船上安全積載和繫固貨物裝置和車輛時應考慮的因素的第 A.533 (13) 號決議，

考慮到關於貨運集裝箱和車輛中裝填貨物的經修訂的國際海事組織/國際勞工組織指南，

又考慮到關於滾裝船運輸公路車輛的繫固裝置指南的第 A.581 (14) 號決議，

注意到由於船上繫固裝置不當和車中和集裝箱中貨物的積載和繫固不良，已經發生了許多次嚴重事故，並且只有在設計周到和裝備適當的船上對貨物適當積載和繫固，才能防止今後再發生類似事故，



認識到有必要對經驗證明會對船舶安全構成特定危險的貨物積載和繫固以及滾裝船上運輸的公路車輛的積載和繫固進行改進，

又認識到制定包括公路車輛和貨運集裝箱中裝填有貨物的船上貨物積載和繫固安全綜合實用規則，可以實現這種改進，

相信這種安全實用規則的應用將增進海上安全，

審議了海上安全委員會在其第五十八次會議上提出的建議，

1. 通過本決議附件中所載的《貨物積載和繫固安全實用規則》；
2. 敦促成員國政府儘早貫徹本規則；
3. 要求海上安全委員會隨時審議本規則，並作出必要修改；
4. 廢除第 A.288 (VIII) 號決議。

## 附件

### 貨物積載和繫固安全實用規則

#### 目錄

前言

一般原則

第 1 章 — 總則

第 2 章 — 貨物安全積載和繫固原則

第 3 章 — 標準化積載和繫固系統

第 4 章 — 半標準化積載和繫固

第 5 章 — 非標準化積載和繫固

第 6 章 — 惡劣氣候時可以採取的行動

第 7 章 — 貨物移動時可採取的行動

附件 1 — 非為運輸集裝箱而專門設計和裝備的船舶的甲板上的集裝箱的安全積載和繫固

附件 2 — 移動式罐櫃的安全積載和繫固

附件 3 — 移動式儲槽的安全積載和繫固

附件 4 — 輪載（滾動）貨物的安全積載和繫固

附件 5 — 如機車、變壓器等等重件貨的安全積載和繫固

附件 6 — 成卷鋼板的安全積載和繫固

附件 7 — 重的金屬製品的安全積載和繫固

附件 8 — 錨鏈的安全積載和繫固

附件 9 — 散裝金屬廢料的安全積載和繫固

附件 10 — 撓性中間散裝容器的安全積載和繫固

附件 11 — 甲板下積載原木的一般指南

附件 12 — 成組貨物的安全積載和繫固

## 前言

貨物的適當積載和繫固對於海上人命安全是最為重要的。貨物的不適當積載和繫固已經造成了許多嚴重的船舶事故以及人員傷亡，不僅在海上，而且在裝卸貨期間也有發生。

為了處理這個問題和船上若干種貨物的不適當積載和繫固而造成的危險，國際海事組織以大會決議或以海上安全委員會通過的通函形式頒佈了一些指南，這些指南列舉如下\*：

- 第 A.489 (XII) 號決議：成組貨物和其他實物在非分格式集裝箱船舶上的安全積載和繫固，
- 第 MSC/Circ.385 號通函：將列入隨船攜帶的《貨物繫固手冊》中的規定，
- 第 A.533 (13) 號決議：在考慮貨物單元和車輛在船舶上的安全積載和繫固問題時應計及的因素，
- 第 A.581 (14) 號決議：滾裝船運輸道路車輛繫固裝置指南，
- 海事組織/勞工組織貨物集裝箱和車輛的貨物裝填指南，
- 第 MSC/Circ.487 號通函：與進入圍蔽處所有關的危險，

縱向、垂直向和主要是橫向的擺動的綜合效應造成了作用於海上船舶的加速度。大部分的繫固問題是這些加速度所造成的各種力帶來的。

這些力造成的危害應由採取確保船上貨物的適當積載和繫固和降低船舶擺動的幅度和頻率兩方面的措施加以解決。

---

\* 有關決議、通函和指南將作為附錄編入大會決議和規則的合編出版物內。

本規則的目的是為以下列方式促進貨物的安全積載和繫固提供一個國際標準：

- 提請船舶所有人和經營人注意確保船舶適合其預定用途；
- 對確保船舶裝備合適貨物繫固裝置提出建議；
- 提供關於適當貨物積載和繫固的一般建議以減少船舶和人員風險；
- 對在積載和繫固上會造成困難和危險的那些貨物提出具體建議；
- 對在惡劣海況下可採取的行動提出建議；和
- 對貨物移動的影響可採取的補救行動提出建議。

在提供這些建議時，應注意船長負責航次的安全指導、船舶、其船員和其貨物的安全。

### 一般原則

所有貨物的積載和繫固均不應對船舶和船上人員造成風險。

貨物的安全積載和繫固決定於適當的計劃、實施和監督。

擔任貨物積載和繫固任務的人員應有適當資格和經驗。

計劃和監督貨物積載和繫固的人員應對應用《貨物繫固手冊》(如提供的話)和該手冊的內容有良好的實踐知識。

在任何情況下，貨物的不當積載和繫固將對其他貨物的繫固和對船舶自身造成潛在的危險。

對貨物積載和繫固的措施所作的決定應根據從經驗預計在預定航次中可能出現的最惡劣氣候條件。

船長所作的船舶操縱的決定，特別是在壞天氣條件下，應考慮到貨物類型、積載位置和繫固裝置。

## 第 1 章—總則

### 1.1 適用範圍

本規則適用於船舶運輸的貨物（除固體和液體散裝貨及甲板上裝載木材外），特別是實踐已證明在積載和繫固上會造成困難的那些貨物。

### 1.2 所用名詞的定義

就本規則而言：

貨物單元：

- 係指車輛、集裝箱、平板、貨盤、移動式罐櫃、包裝單元、或任何其他實物等等，以及在大會第 A.489（XII）號決議中規定的屬於船舶但並非固定於船舶的裝貨設備或其任何部分。

中間散裝容器：

- 係指一種剛性、半剛性或撓性輕便式散裝容器，其裝載容量不大於 3 米<sup>3</sup>（3,000 升），設計用於機械裝卸並經測試能滿意地承受裝卸和運輸應力。

移動式罐櫃：

- 係指非永久繫固在船舶上的罐櫃，其容量大於 450 升，外殼裝有穩定構件和運輸氣體、液體或固體所必需的輔助設備和結構性設備。

公路罐車：

- 係指帶有車輪、裝有一個或多個罐櫃的車輛，在公路和海上運輸中用於運輸氣體、液體或固體，其罐櫃在裝貨、運輸和卸貨的所有正常作業期間均剛性和永久地連接在車輛上，在船舶上既不充填也不排放。

公路車輛：

- 係指大會第 A.581 (14) 號決議中規定的商業用車輛、半拖車、公路列車、鉸接式公路列車或車輛組合體。

滾裝掛車：

- 係指其後部有一個或多個輪軸，前端有一支架的低架貨車，由特殊拖車在港口對其進行拖帶或推帶，出入於它在船上的積載處所。

滾裝船：

- 係指有一層或數層封閉或露天甲板的船舶，該甲板通常不以任何方式分隔，往往貫穿船舶的整個長度。其裝載的貨物一般是橫向裝卸的。

成組貨物：

一 係指符合下述情況之一的成組包裝貨物：

- .1 放置或堆裝在貨盤之類的裝貨板上並捆紮、熱裝冷縮包紮或其他合適方法繫固；或
- .2 放置在箱形托盤之類保護性外包裝內；或
- .3 作為一吊貨被永久地繫固在一起。

### 1.3 力

1.3.1 為防止貨物移動而必須由適當積載和繫固裝置吸收的力，通常由作用於船舶軸線的下列分力組成：

- 縱向分力；
- 橫向分力；和
- 垂向分力。

註：就積載和繫固貨物而言，縱向和橫向的力是主要的。

1.3.2 單純的橫向力或橫向、縱向和垂向力的合力，通常隨積載物高度和離船舶在航行時的擺動中心的橫向距離增加而增加。最強烈的力位於最前部、最後部和船舶每一側的最高積載位置。

1.3.3 橫向力的增加與船舶穩心高度有直接關係。不適當的穩心高度可由下述情況造成：

- 船舶設計不當；
- 貨物配置不當；和



— 燃油和壓載水的分佈不當。

1.3.4 貨物的配置應使船舶穩心高度超出所要求的最低值，在可行時，應在可接受的上限內，以減少作用到貨物的力。

1.3.5 除上述提到的力外，還有甲板上裝運的貨物可能受到風和連續海浪影響而產生的力。

1.3.6 不適當的船舶操縱（航向或航速）可能造成作用於船貨的不利的力。

1.3.7 力的大小可使用《貨物繫固手冊》（如提供的話）中的有關計算方法進行估計。

1.3.8 雖然使用抗橫搖裝置可改善船舶在風浪中的特性，但這種裝置的作用在計劃貨物積載和繫固時不應考慮進去。

#### 1.4 貨物的特性

1.4.1 有些貨物在航行中會變形或自壓實，造成其繫固設施變鬆。

1.4.2 低摩擦系數的貨物，如在裝載時沒有適當增加摩擦力的設施，如墊板、軟板、橡膠墊等，就難於繫固，除非緊緊地從船舶一邊裝到另一邊。

#### 1.5 估計貨物移動風險的標準

1.5.1 在估計貨物移動風險時，應考慮下述因素：

- 貨物的尺寸和物理性質；
- 貨物在船上的位置和積載；
- 船舶適於運輸特定的貨物；

- 繫固裝置是否適合特定貨物；
- 預計的季節性氣候和海況；
- 在預定航次期間預計的船舶特性；
- 船舶穩性；
- 航次的地理區域；和
- 航次時間。

1.5.2 在選擇適當的積載和繫固方法和在檢查被繫固設備抵銷的力時，應考慮到這些標準。

1.5.3 考慮到上述標準，船長只有在確信貨物能被安全運輸時，才應在其船上接受貨物。

## 1.6 《貨物繫固手冊》

1.6.1 按照本規則和第 A.489 (XII) 決議 (附錄) 規定承運成組貨物和其他實物的船舶，應攜帶第 MSC/Circ.385 號通函中詳細規定的《貨物繫固手冊》。

1.6.2 在船舶的《貨物繫固手冊》中詳述的貨物繫固裝置，如配備的話，應根據船上貨物可能受到的作用力，此種作用力應按照主管機關接受的方法或為經主管機關接受的、由船級社核准的方法計算。

## 1.7 設備

船舶的貨物繫固設備應：

- 有足夠的數量；

- 適合其預定目的，並考慮到《貨物繫固手冊》（如提供該手冊的話）的建議；
- 有合適的強度；
- 易於使用；和
- 得到很好的維修。

### 1.8 特別貨物運輸裝置

船舶所有人和船舶經營人，在必要時，當考慮運輸有異常特性的貨物時，如該貨物可能要求對其在船上的位置（根據船舶結構強度）、其積載和繫固和在預定航次期間預計的氣候情況給與特別注意，則應使用有關的專門知識。

### 1.9 貨物資料

1.9.1 在接受待運貨物前，船舶所有人或船舶經營人應得到關於貨物的所有必要資料並確保：

- 所裝運的不同貨物是彼此相容的或得到適當隔離的；
- 貨物適合於該船；
- 該船適合裝運該貨物；和
- 在預定航次期間的所有預計情況下，貨物能在船上安全積載、繫固和運輸。

1.9.2 應向船長提供所裝貨物的適當資料，以便為裝卸和運輸，對積載作出正確計劃。

## 第 2 章—貨物安全積載和繫固原則

### 2.1 貨物的適運性

裝在集裝箱、公路車輛、船載駁船、火車車廂和其他貨物運輸裝置裏的貨物，其在這些裝置中的裝填和繫固，應能在整個航次中防止對船舶、對船上人員和對海洋環境造成損害或危險。

### 2.2 貨物配載

2.2.1 為防止貨物滑動、翻倒、傾斜和倒塌等等，船長對貨物積載和繫固計劃和監督給與巨大關注是極其重要的。

2.2.2 貨物的配載應能確保在整個航次中船舶穩性保持在可接受的限制內，以儘可能減少出現過度加速度的危險。

2.2.3 貨物的配載應對船舶結構不會造成不利影響。

### 2.3 貨物繫固裝置

2.3.1 應特別注意在貨物繫固裝置間力的分佈應儘可能平均，如果做不到，則這些裝置應相應加固。

2.3.2 如果由於繫固裝置的複雜結構或其他情況，負責的人不能根據經驗和良好的船藝知識來評定該裝置的適當性，則應使用可接受的計算方法對裝置加以驗證。

### 2.4 磨損後的剩餘強度

貨物繫固裝置和設備應有足夠的剩餘強度，可經受使用壽命期間的正常磨損。

## 2.5 摩擦力

如貨物和船舶甲板或結構或貨物運輸裝置間的摩擦力不足以避免滑動的危險，則應使用軟板或墊板之類的適合的材料增加摩擦力。

## 2.6 船上監督

2.6.1 防止貨物不當積載和繫固的主要方法是監督裝貨作業和檢查積載。

2.6.2 凡可能時，應在整個航行期間對貨物處所進行定期檢查，以確保貨物、車輛和貨物運輸裝置保持安全繫固狀態。

## 2.7 進入圍蔽處所

任何圍蔽處所空氣，由於缺氧可能不足以維持人的生命或可能含有易燃或有毒氣體。船長應確保進入任何圍蔽處所的安全。

## 2.8 船長應考慮的一般要素

在評估了貨物移動的風險後，船長應根據 1.5 中標準，在任何貨物、貨物運輸單位或車輛裝船前確保：

- .1 甲板積載區域應儘可能清潔、乾燥並沒有油、脂；
- .2 貨物、貨物運輸裝置或車輛應處於適合運輸的狀態，並能有效地繫固；
- .3 船上備有所有必需的貨物繫固設備並處於良好工作狀態；和
- .4 在貨物運輸裝置和車輛之中或之上的貨物應儘可能被適當積載並繫固在裝置或車輛上。

## 2.9 貨物積載和繫固聲明書

2.9.1 如有理由懷疑裝有危險貨物的集裝箱或車輛不符合《國際危規》總前言第 12 或 17 節（視情而定）的規定，或如沒有集裝箱裝箱證書/車輛裝車聲明書，則不應接受裝運該運輸裝置。

2.9.2 當適當和可行時，公路車輛應備有貨物積載和繫固聲明書，說明公路車輛上的貨物已根據海事組織/勞工組織貨運集裝箱或車輛中裝貨指南為預定的海上航次作了適當的積載和繫固。下邊提供此種聲明書的範例。《國際危規》建議的裝車聲明書也可接受用於此目的。

## 範例

### 貨物積載和繫固聲明書

車輛號碼 .....

裝貨地點 .....

裝貨日期 .....

貨物名稱 .....

上述車輛中的貨物已根據海事組織/勞工組織貨運集裝箱或車輛中裝貨指南為海上運輸作了適當積載和繫固，特此聲明。

簽字人姓名 .....

職務 .....

地點..... 日期 .....

代表裝貨人的簽字 .....

備註： .....

.....

.....

.....

### 第 3 章—標準化積載和繫固系統

#### 3.1 建議

擬以標準化積載和繫固系統（如集裝箱、火車車箱、船載駁船等等）裝運貨物的船舶應做到：

- .1 其設計和裝備應使有關的標準化貨物在預定航次的一切預計狀況下在船上得到安全積載和繫固；
- .2 其設計和裝備應得到主管機關接受或由主管機關接受的一家船級社的批准；和
- .3 備有供船長使用的有關船舶為其設計或改裝的貨物的安全積載和繫固裝置的適當資料。

## 第 4 章 一半標準化積載和繫固

### 4.1 繫固裝置

4.1.1 欲裝載公路車輛、在滾裝船上裝載系統化貨物的輪式掛車和機動車輛等具體貨物的船舶應備有繫固點，其間距應小到適合於船舶的預定作業，並符合指南中有關供滾裝船上運輸公路車輛的繫固裝置的第 4 節（第 A.581（14）號決議）。

4.1.2 供海上運輸的公路車輛，應具備有在第 A.581（14）號決議附件第 5 節詳細說明的安全積載和繫固裝置。

4.1.3 運輸系統化貨物的輪式掛車應備有安全積載和繫固車輛及其貨物的裝置。應對積載高度、積載的緊密度和貨物高重心的影響給與特別考慮。

### 4.2 車輛的積載和繫固

4.2.1 車輛，包括未備有適當繫固裝置的輪式掛車，應按本規則第 5 章積載和繫固。

4.2.2 不符合第 A.581（14）號決議附件第 4 節要求的滾裝船或不備有在海上運輸中提供等效安全程度的等效積載和繫固裝置的滾裝船，應按本規則第 5 章處理。



4.2.3 車輛應按第 A.581(14)號決議附件第 6 和第 7 節積載和繫固。對於運輸系統化貨物的輪式掛車、公路罐車和輪式活動罐櫃的積載和繫固，應根據罐櫃的高重心和自由液面效應，給與特別考慮。

#### 4.3 接受供滾裝船海運的公路車輛

4.3.1 除非船長確信公路車輛顯然適合預定的航行，並至少配有第 A.581(14)號決議附件第 5 節規定的繫固點，否則船長不應在其船上運輸該公路車輛。

4.3.2 在例外情況下，如對能否或是否需要執行 4.3.1 的建議有懷疑時，船長在考慮到車輛狀況和預定航次的預計特點後，可接受車輛裝運。

### 第 5 章—非標準化積載和繫固

#### 5.1 建議

5.1.1 本章及附件對本規則第 3 和第 4 章未作規定的貨物積載和繫固提供了一般性建議，是對已被證明難於在船上積載和繫固的貨物的積載和繫固提供了具體建議。

5.1.2 在 5.3 中提供的貨物清單不應認為是詳盡無遺的，因為可能有另一些貨物，其積載和繫固因不適當會造成危害。

#### 5.2 等效積載和繫固

附件中提供的指導對所述貨物的固有問題的防備措施作出了規定。積載和繫固的替代辦法可以提供同樣程度的安全性。選用的任何替代辦法所提供的安全程度必須至少相當於與本規則前言中列舉的決議、通函和指南所提供者。

### 5.3 證明為潛在危險源的貨物

這些貨物包括：

- .1 在不是特別為運輸集裝箱而設計或裝備的船舶甲板上裝載的集裝箱（附件 1）；
- .2 移動式罐櫃（罐櫃集裝箱）（附件 2）；
- .3 移動式容器（附件 3）；
- .4 輪載（滾動）的特別貨物（附件 4）；
- .5 機車、變壓器等重型貨物（附件 5）；
- .6 成卷薄板（附件 6）；
- .7 重金屬製品（附件 7）；
- .8 錨鏈（附件 8）；
- .9 散裝金屬廢料（附件 9）；
- .10 撓性中間散裝容器（附件 10）；
- .11 甲板下裝載的原木（附件 11）；和
- .12 成組運輸的貨物（附件 12）。

## 第 6 章—在惡劣氣候中可能採取的行動

### 6.1 通則

本章的目的不是僭取船長職責，而是對如何避免惡劣氣候狀況造成的過分加速度所引起的應力提出建議。

## 6.2 過分的加速度

避免過分的加速度的措施為：

- .1 改變航向或船速或兩者一起改變；
- .2 滯航；
- .3 儘早避開不利氣候和海況區域；
- .4 根據實際穩性情況，及時加壓載或卸壓載，以改善船舶特性（也見 7.2）。

## 6.3 航次計劃

船長在可能及可行時要仔細計劃船舶航次，避開惡劣氣候和海況是降低過分的加速度的一個辦法。船長應不斷查閱可得到的最新氣象資料。

## 第 7 章—貨物移位時可採取的行動

7.1 可考慮採取下述行動：

- .1 改變航向以降低加速度；
- .2 減速以降低加速度和震動；
- .3 監視船舶的完整性；
- .4 重新積載或重新繫固貨物，並在可能時增加摩擦力；和
- .5 改變航向，以尋找避風錨地或較好氣候和海況。

7.2 液艙的加壓載或卸壓載作業只有在船舶有適當穩性才能考慮。

## 附件 1

### 不是特別設計和裝備用於運輸集裝箱的船舶

#### 甲板上的集裝箱的安全積載和繫固

##### 1 積載

- 1.1 裝在這類船舶甲板或艙口蓋上的集裝箱最好沿首尾方向積載。
- 1.2 集裝箱不應超出船舷。當集裝箱伸出艙口蓋或甲板結構物外時應提供適當的支架。
- 1.3 集裝箱的積載和繫固應能允許從事船舶必要作業的人員安全走近。
- 1.4 集裝箱在任何時候都不應使承載它們的甲板或艙口蓋受到過度應力。
- 1.5 底層集裝箱，當不是放在堆碼裝置上時，應積載在有足夠厚度的木材上，其佈置應能使堆積的負荷均勻地轉移到積載區域的結構物上。
- 1.6 在堆置集裝箱時，在集裝箱間應視情使用鎖緊裝置、圓錐體或相似的堆垛器材。
- 1.7 當在甲板或艙蓋上積載集裝箱時，應考慮到繫固點的位置和程度。

## 2 繫固

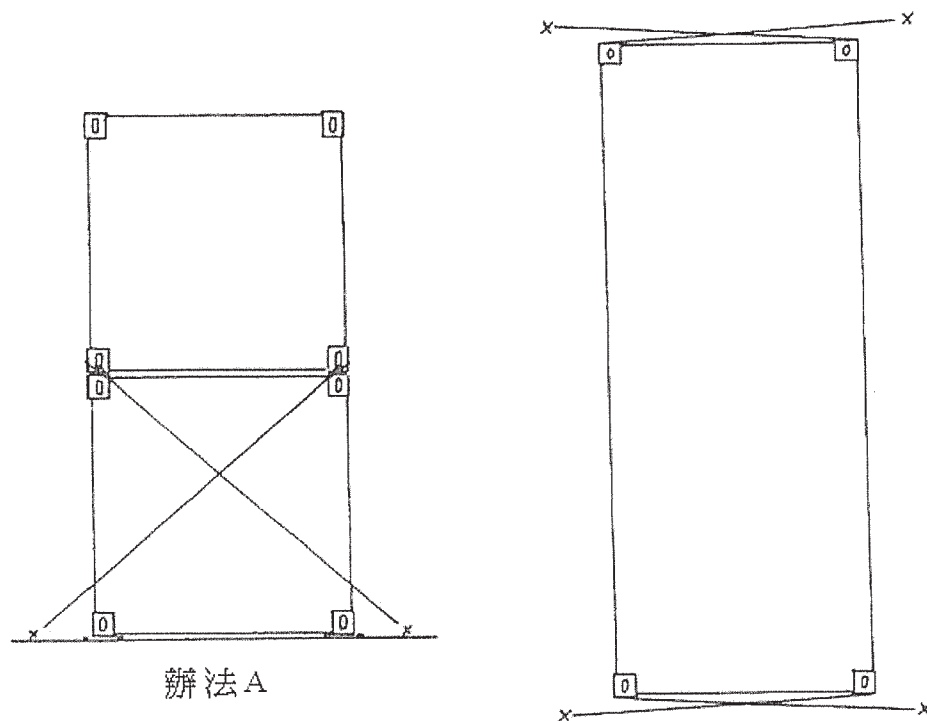
2.1 所有集裝箱應有效地繫固，使之不會滑動和翻倒。承載集裝箱的艙口蓋應適當地繫固在船上。

2.2 集裝箱應使用圖 1 推薦的三種方法之一或與此等效的方法繫固。

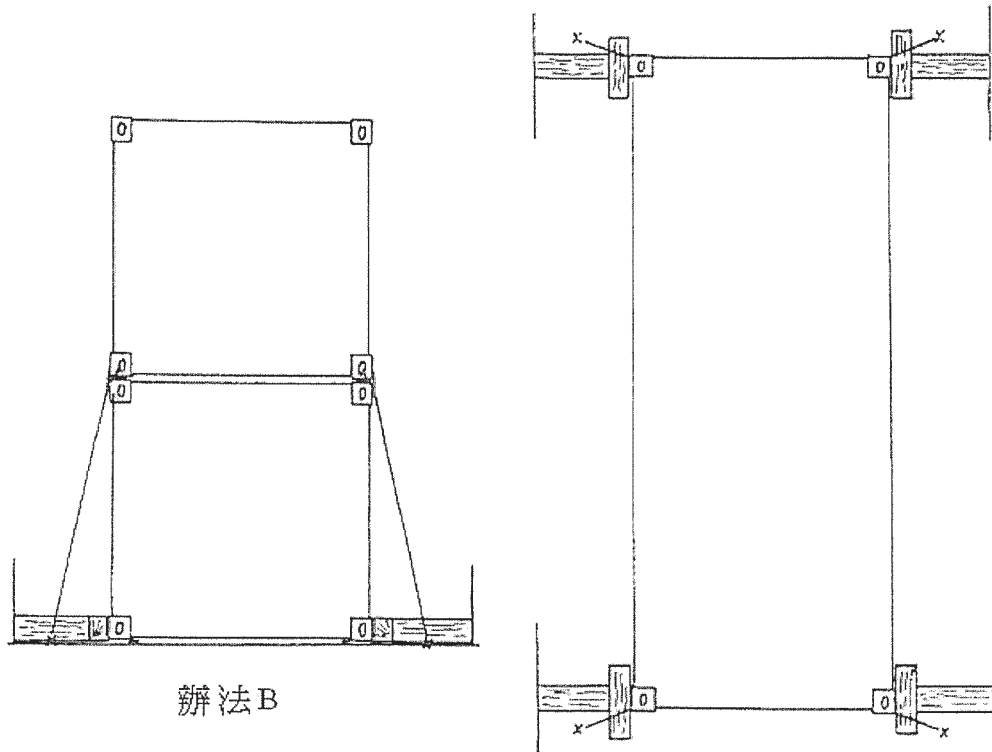
2.3 綁繩最好由鋼絲繩或鏈條或具有等效強度和伸長特性的材料構成。

2.4 木橫支架的長度不應超過 2 米。

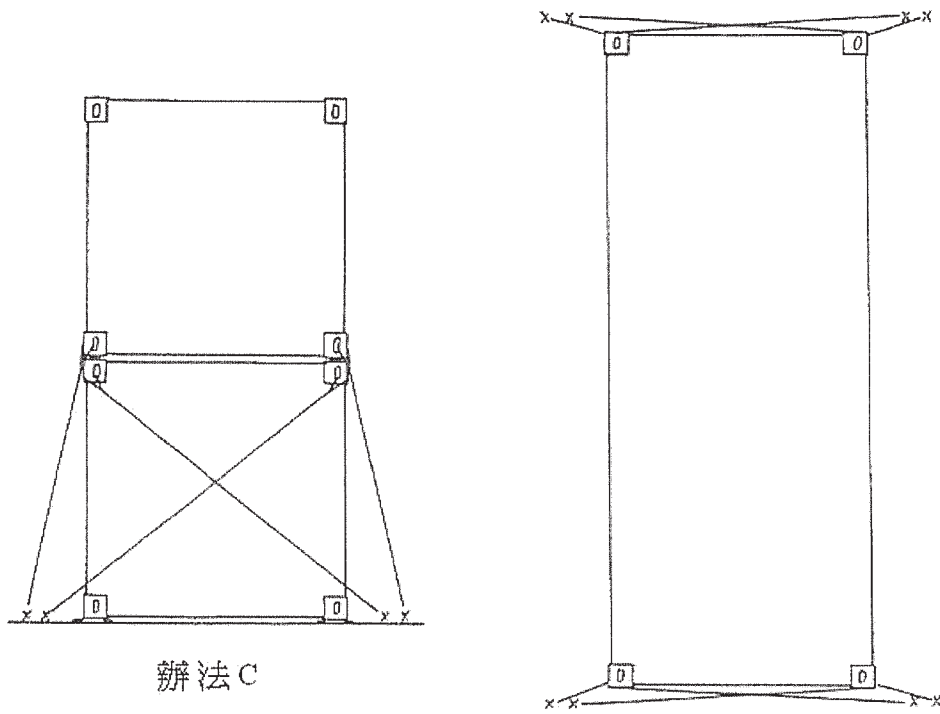
圖 1：集裝箱非標準化繫固的推薦辦法



辦法 A：中等重量集裝箱：頂部集裝箱重量不大於底部集裝箱重量的 70%



辦法 B：中等重量集裝箱：頂部集裝箱重量可大於底部集裝箱重量的 70%



辦法 C

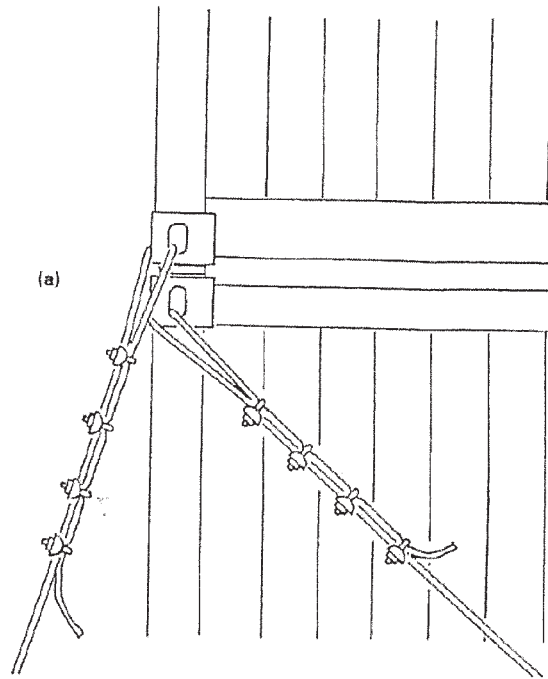
辦法 C：重集裝箱：頂部集裝箱重量可大於底部集裝箱重量的 70%

2.5 鋼絲夾應有適量油脂，並拉緊至鋼絲繩的終端明顯受到壓力（圖 2）。

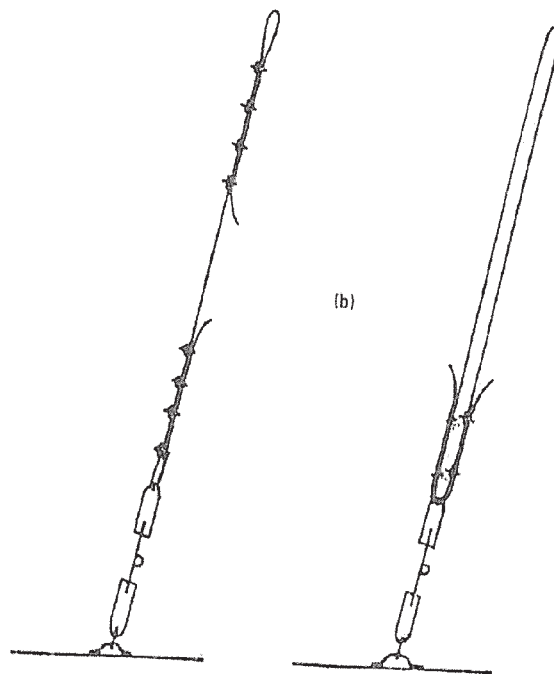
2.6 綁繩在可能時應受到均勻的拉力。

圖 2 :

鋼絲綁繩在角  
配件上的捆紮



鋼絲綁繩的替代結構





## 附件 2

### 移動式罐櫃的安全積載和繫固

#### 1 前言

1.1 本附件的規定適用於移動式罐櫃，在本附件中，它們係指非永久性繫固在船上、容積大於 450 升、其外殼裝有外部穩定構件和運輸液體、固體或氣體所必需的維修工具和結構性設備的罐櫃。

1.2 這些規定不適用於容量為 450 升或小於 450 升、運輸液體、固體或氣體的罐櫃。

註：裝運氣體的移動式罐櫃的容積為 1000 升或大於 1000 升。

#### 2 對移動式罐櫃的一般規定

2.1 移動式罐櫃應能在不移開其結構設備的情況下裝卸，並能在裝有貨物時在船上吊上、吊下。

2.2 經修正的《1972 年國際安全集裝箱公約》的適用要求，符合該公約集裝箱定義的任何罐櫃式集裝箱均應滿足。此外，《國際危規》總前言第 13 節的規定，在罐櫃用於運輸危險貨物時，也應予以滿足。

2.3 未裝滿的移動式罐櫃，由於罐櫃內的晃動會產生不能接受的液壓力，不應用於船運。

2.4 運輸危險貨物的移動式罐櫃，應按照《國際危規》規定，由主管批准當局或由該當局授權的機構提供證書。

### 3 移動式罐櫃的裝置

3.1 移動式罐櫃的外部穩定構件可由墊木或支架構成，此外，該罐櫃可繫固在有架式底部的集裝箱上。或者，罐櫃可固定在國際標準化組織或非國際標準化組織框架尺寸的框架內。

3.2 移動式罐櫃的裝置應包括船上的提升和繫固配件。

註：所有上述移動式罐櫃可在多用途船上裝運，但需要對船上的綁紮和繫固給與特別注意。

### 4 貨物資料

4.1 至少應向船長提供下述資料：

- .1 如係非危險貨物：移動式罐櫃的尺寸和貨品；如係危險貨物，按照《國際危規》要求的資料；
- .2 移動式罐櫃的毛重；和
- .3 移動式罐櫃是否長期繫固在有架式底座的集裝箱上，或繫固在框架裏，是否有繫固點。

### 5 積載

5.1 在決定移動式罐櫃應裝在甲板上還是甲板下時，應考慮船舶加速度的典型分佈。

5.2 罐櫃應沿首尾方向在甲板上或甲板下積載。

5.3 積載的罐櫃不應超出船舷。

5.4 罐櫃的積載應能使從事船舶必要作業的人員安全走近。

5.5 任何時候罐櫃都不應超過甲板或艙蓋的應力；艙蓋應繫固在船上以防止整個艙蓋翻倒。

## 6 防滑動和翻倒的繫固

### 6.1 非標準化移動式罐櫃

6.1.1 在非標準化移動式罐櫃上和船上的繫固裝置應安裝得能承受可能引起的滑動和翻倒的橫向力和縱向力。防滑動的繫索角度不應高於 25 度，防翻傾的繫索的角度不低於 45 至 60 度（圖 1）。

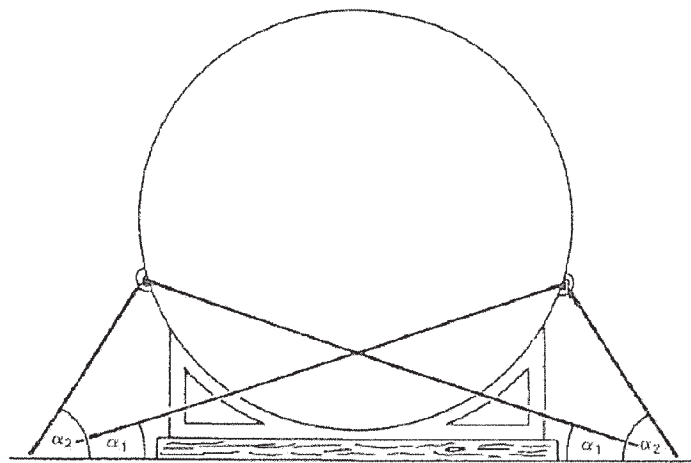


圖 1：以有利的綁繩角度繫固移動式罐櫃

$\alpha_1$ ：防滑動的有利角度

$\alpha_2$ ：防翻倒的有利角度

6.1.2 在必要時，在甲板表面和移動式罐櫃底部結構間應使用木材以增加摩擦力。這不適用於木製裝置上的罐櫃或有相似的高摩擦系數的底部材料的罐櫃。

6.1.3 如允許在甲板下積載，積載應能使移動式罐櫃直接落在其位置和基座上。

6.1.4 罐櫃上的繫固點應有適當強度並作出明顯標誌。

註：為公路和火車運輸設計的繫固可能不適合於海上運輸。

6.1.5 縛在無繫固點的罐櫃上的繫索應繞罐櫃一周，繫索兩端應繫固在罐櫃的同一邊（圖 2）。

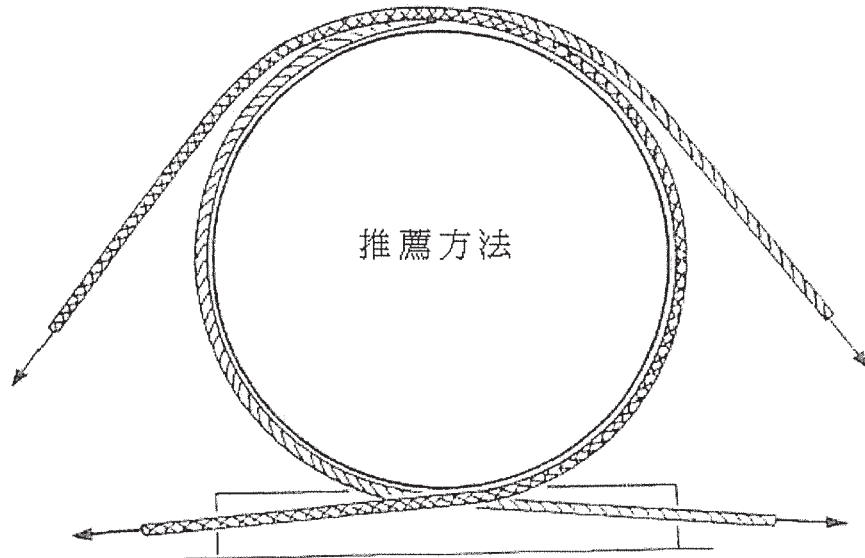


圖 2：沒有繫固點的移動式罐櫃的繫固

6.1.6 應將足夠的繫固裝置佈置成每一裝置均分擔負荷並有足夠的安全系數。

6.1.7 當罐櫃裝在甲板或艙口部件上時和當佈置和安裝繫固裝置時，應考慮甲板或艙口部件的結構強度。

6.1.8 移動式罐櫃的繫固應使罐櫃或附件上的負荷不超出其設計負荷。

## 6.2 標準化移動式罐櫃（罐櫃集裝箱）

6.2.1 符合國際標準化組織框架尺寸的標準化移動式罐櫃應按照船舶裝備的索具系統加以繫固，並考慮到罐櫃在甲板以上的高度和罐櫃中的罐虧。

## 7 繫固裝置的保持

7.1 繫固裝置的完整性應在整個航次中得到保持。

7.2 對需要拉緊繫索、夾子和扣鉤以防止因磨損和弱化一事應予特別注意。

7.3 應定期檢查繫索和重新收緊。

## 附件 3

### 移動式容器的安全積載和繫固\*

#### 1 前言

1.1 在本指南中，移動式容器係指不是移動式罐櫃的容器，它們不是永久地繫固在船上、容量為 1000 升或小於 1000 升，在長度、寬度、高度和形狀上有不同的尺寸，用於運輸氣體或液體。

#### 2 移動式容器可分為以下幾種：

- .1 沒有繫固點、容量不超過 150 升的不同尺寸的圓筒；
- .2 除符合 2.1 的圓筒外的容量不小於 100 升並不大於 1000 升的不同尺寸的容器，不論是否裝有足夠強度的提升裝置；和
- .3 符合 2.1 的中的圓筒的組件：稱作“框架”，圓筒由歧管在框架內互相連接並用金屬配件牢固連接在一起；框架裝有足夠強度的繫固和裝卸裝置（即圓筒狀容器裝備有滾動箍而容器繫固在墊木上）。

#### 3 貨物資料

3.1 至少應向船長提供下述資料：

- .1 容器和貨物的尺寸（如係非危險貨物）；如係危險貨物，則按照《國際危規》所要求的資料；

---

\* 本附件中使用的“容器”一詞係包括容器和圓筒兩者。

.2 容器毛重；和

.3 容器是否裝有足夠強度的提升裝置。

#### 4 積載

4.1 在決定容器裝在甲板上或甲板下時，應考慮到船舶加速度的典型分佈。

4.2 容器最好在甲板上或甲板下縱向積載。

4.3 容器應予襯墊以防止其直接放在鋼甲板上。除作為一個裝置安裝在框架內外，在積載容器時，如必要，應用塞子止動。裝運液化氣的容器應直立積載。

4.4 容器在直立積載時，應以方型積載，用合適和堅固木材製作的木筐或木箱圍住。木箱或木筐應在下邊墊起以便在鋼甲板上有一空隙。木箱或木筐中的容器應予圍緊，以免移動。箱或筐應牢固地塞緊和綁牢以避免任何方向的移動。

#### 5 防止滑動和移動的繫固

##### 5.1 圓筒

圓筒應在橫向墊木上縱向積載。如可行，貨堆使用橫向放置的二根或更多的鋼絲繩繫固，鋼絲繩在裝貨前放上，繞貨堆一周，繫在相對各邊的繫由點上。使用合適的收緊裝置收緊鋼絲繩以使貨堆密實。在裝貨期間，為防止圓筒滾動，可能必需使用楔子。

## 5.2 集裝箱中的圓筒

在可行時，圓筒應直立積載，闔在頂部，防護蓋蓋緊。圓筒應使用鋼帶裝置或導向集裝箱底的綁紮點的等效裝置給與適當繫固，以至於能經受預期航次的嚴酷條件。當集裝箱不能在封閉集裝箱中直立裝載時，它們應裝在開頂或擱架式底盤的集裝箱內。

## 5.3 容器

裝在甲板上或甲板下的容器應按下述方法繫固：

- .1 應按圖 1 所示放置繫索；
- .2 可能時，容器上的提升裝置應用於綁住它們；和
- .3 繫索應定期檢查和重新收緊。

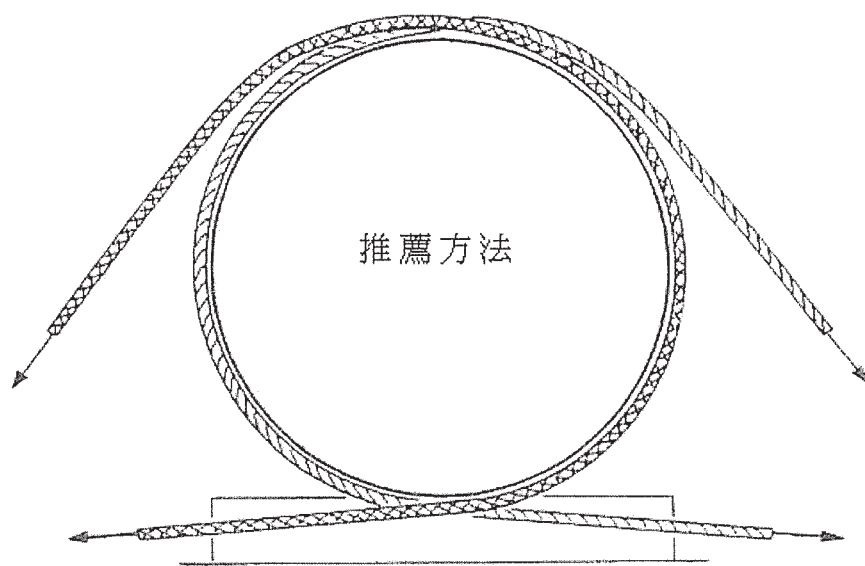


圖 1：沒有繫固點的容器的繫固



## 附件 4

### 輪載（滾動）貨物的安全積載和繫固

#### 1 前言

在本指南中，輪載貨物為所有裝有輪子或履帶的貨物，包括用於積載和運輸其他貨物的輪子和履帶，拖車和公路列車除外（由本規則第 4 章管轄），但包括公共汽車、帶有或不帶履帶的軍用車輛、拖拉機、運土設備和輪式拖車等等。

#### 2 一般建議

- 2.1 積載輪載貨物的貨物處所應是乾燥、清潔而沒有油脂的。
- 2.2 輪載貨物應備有合適而明顯的標誌的繫固點或可用於綁紮的足夠強度的其他等效裝置。
- 2.3 沒有繫固點的輪載貨物應具備可使用繫索並明顯標誌的地方。
- 2.4 沒有增加摩擦力的下層表面的橡膠輪子或履帶的輪載貨物始終應在墊木或其他增加摩擦力的材料上積載，如軟板、橡膠墊等。
- 2.5 當在積載位置上時，應使用輪載裝置剎車（如有的話）。
- 2.6 船上繫固輪載貨物的繫索的材料，其強度和拉伸特性應至少等同於鋼鏈或鋼繩。
- 2.7 可能時，作為貨物組成部分裝運的輪載貨物，應緊靠船舷積載或裝在備有足夠強度的足夠的繫固點的位置上，或在整個貨物處所中塞緊裝載。

2.8 為了防止沒有合適繫固點的輪載貨物的任何橫向移動，在可行時，這些貨物應緊靠船舷並相互緊靠裝載，或由其他合適的成組貨物如已滿載集裝箱等擋住。

2.9 為了防止輪載貨物移動，可行時，最好把這些貨物作縱向而不是橫向積載。如果輪載貨物不可避免地只能橫向積載，則足夠強度的額外繫固可能是必需的。

2.10 輪載貨物的輪子應塞牢止動。

2.11 裝在輪載裝置上的貨物應適當地繫固在積載平台上或在備有合適工具時，繫固到其邊上。裝在輪載裝置上的任何活動的外部件，如吊杆、臂狀物或轉塔，應在位置上適當鎖牢或繫固。

## 附件 5

### 機車、變壓器等重件貨的安全積載和繫固

#### 1 貨物資料

應向船長提供任何要裝船重貨的足夠資料，以使他能適當地計劃其積載和繫固；該資料應至少包括下述內容：

- .1 毛重；
- .2 如可能，帶有圖紙或圖片說明的主要尺寸；
- .3 重心位置；
- .4 基座面積和特定基座的防護措施（如適用）；
- .5 提升點和吊貨位置；和
- .6 繫固點（如有的話），包括其強度的詳情。

#### 2 積載位置

2.1 當考慮重件貨積載位置時，應計及船舶加速度的典型分佈：

- .1 在船中段和露天甲板以下發生的向下加速度；和
- .2 端部和露天甲板以上發生的向上加速度。

2.2 當重件在甲板上積載時，如可能應考慮到具體航次的“風雨舷”。

2.3 重件最好縱向積載。

### 3 重量分佈

重件的重量分佈應避免對船舶結構的不合適應力。特別在甲板或艙蓋上運輸重件時，應使用具有適當強度的木材或鋼樑將重件的重量轉移到船舶結構上。

### 4 防滑動和翻倒的繫固

4.1 在可能時，在積載表面和裝置底部之間應使用木材以增加摩擦力。這不適用於裝在木支架上或橡膠胎上或有高摩擦系數的相似底部材料上的重件。

4.2 繫固裝置的佈置應能經受可能造成滑動或翻倒的橫向力和縱向力。

4.3 防滑動的最佳綁紮角度為 25 度，而防翻倒的最佳綁紮角度一般認為在 45 至 60 度之間（圖 1）。

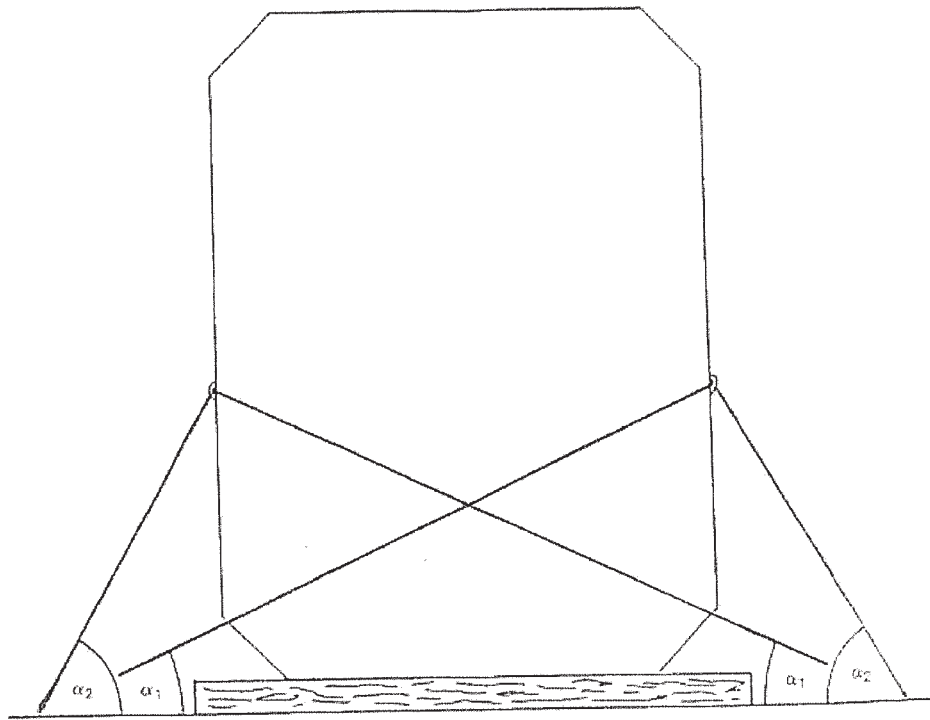


圖 1：防滑動和翻倒繫固重件的原理

$\alpha_1$ ：防滑動的有利綁紮角度

$\alpha_2$ ：防翻倒的有利綁紮角度

4.4 如重件是在加了潤滑油的滑板上或以降低摩擦力的其他方法拖到位置上，防滑動的繫索數量應相應增加。

4.5 如由於當時情況，僅能用大角度綁紮，則必須用木支柱、焊接配件或其他適當方法防止滑動。任何焊接應按可接受的熱加工程序進行。

## 5 甲板上抗惡劣海況的繫固

雖然人們認識到在甲板上對貨物進行抗惡劣海況的繫固是困難的，但應做出一切努力保證這些貨物和其支撐能經受這種衝擊，並考慮使用特別的繫固方法。

## 6 伸出舷外的重件貨

伸出舷外的重件貨另應加用在縱向和垂向上起作用的繫索繫固。

## 7 繫索在重件貨上的繫縛

7.1 如繫索要繫縛在貨物的繫固點上，則這些繫固點應有適當強度和明顯標誌。應考慮到設計用於公路或火車運輸的繫固點可能不適合在船上繫固貨物。

7.2 繫索在沒有繫固點的貨物上繫縛時，應圍繞貨物或其剛性部分一周，繫索兩端應繫固在裝置的同一邊（圖 2）。

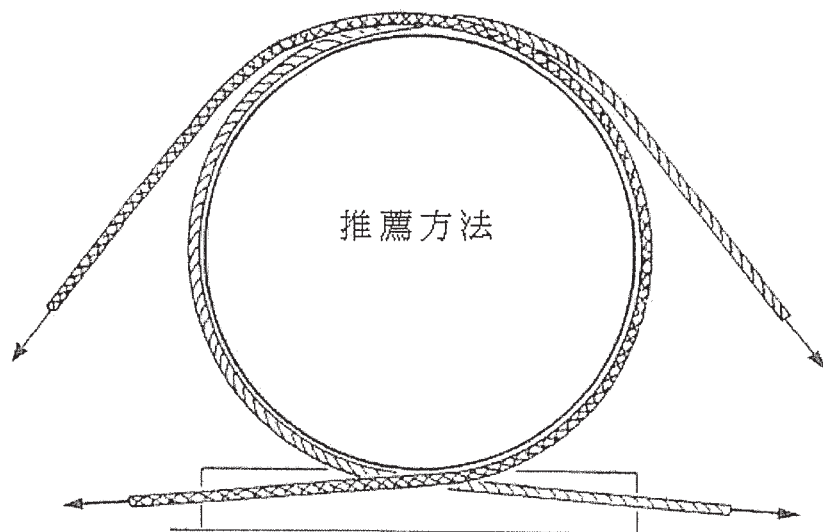


圖 2：沒有合適繫固點的重件繫固原理

## 8 繫固裝置的構造和應用

8.1 繫固裝置應安裝得使每一部件有相等強度。

8.2 應正確使用連接部件和張緊裝置。

8.3 對於正確使用鋼絲繩、夾具和夾子應給與特別注意。夾子的鞍形部分應用於活荷載部分而 U 形螺栓應用於靜荷載或收短端部分。

8.4 繫固裝置的安排應使每一裝置按其強度承受負荷。

8.5 將不同強度和伸長特性的裝置混合在一起的繫固佈置應予避免。

## 9 繫固佈置的保持

9.1 應在整個航次保持繫固佈置的完整性。

9.2 應特別注意需要收緊繫索、夾具和夾子和防止因摩擦而弱化。

9.3 在夾子和鬆緊螺套的螺紋加潤滑脂可增加夾持能力和防鏽。

## 10 繫固計算

10.1 在必要時，重件貨的繫固佈置由適當的計算核實。

## 附件 6

### 成卷鋼板的安全積載和繫固

#### 1 總則

1.1 本附件僅論述在圓面上積載的成卷鋼板。垂向積載不予論述，因為這種積載不會造成特別的繫固問題。

1.2 通常成卷鋼板的每卷毛重超過 10 噸。

#### 2 卷材

2.1 卷材應為底積載，在可能時，應以規律的層次在船上裝滿。

2.2 卷材應在橫向放置在墊木上積載。卷材應使軸線在縱向積載。每卷應緊靠另一卷積載。在裝卸時為防止移動，必要時應使用楔子（圖 1 和 2）。

2.3 每排最後一卷通常應放在鄰近的兩卷上邊。這卷的質量將固定住該排的其他卷材。

2.4 如果有必要在第一層上裝第二層，那麼第二層的卷材應裝在第一層的卷材之間（圖 2）。

2.5 在最高一層中卷材間的任何空檔應加以適當繫固（圖 3）。



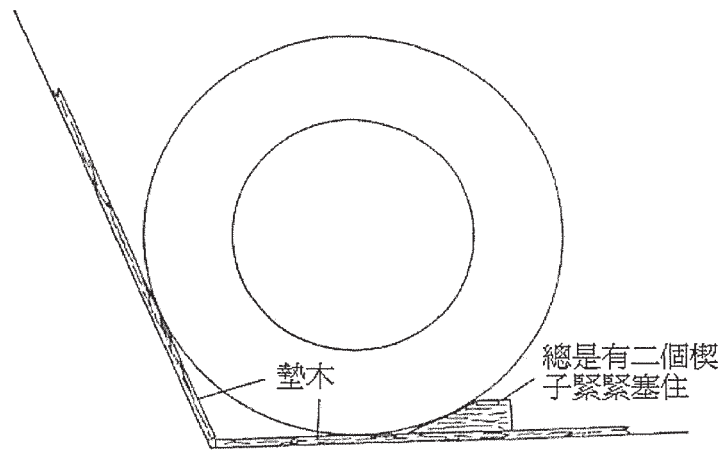
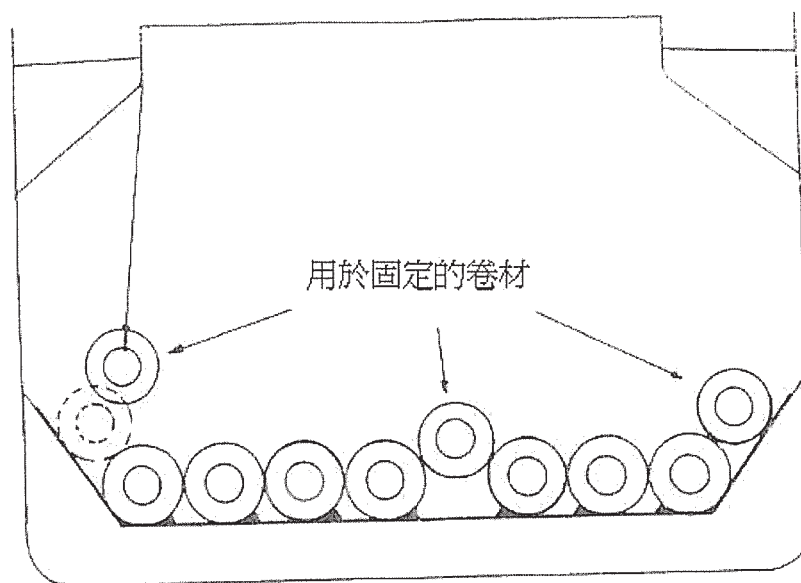


圖 1：用墊木墊住和用楔子塞住卷材的原理



每個卷材所用楔子

圖 2：插入用於固定的卷材

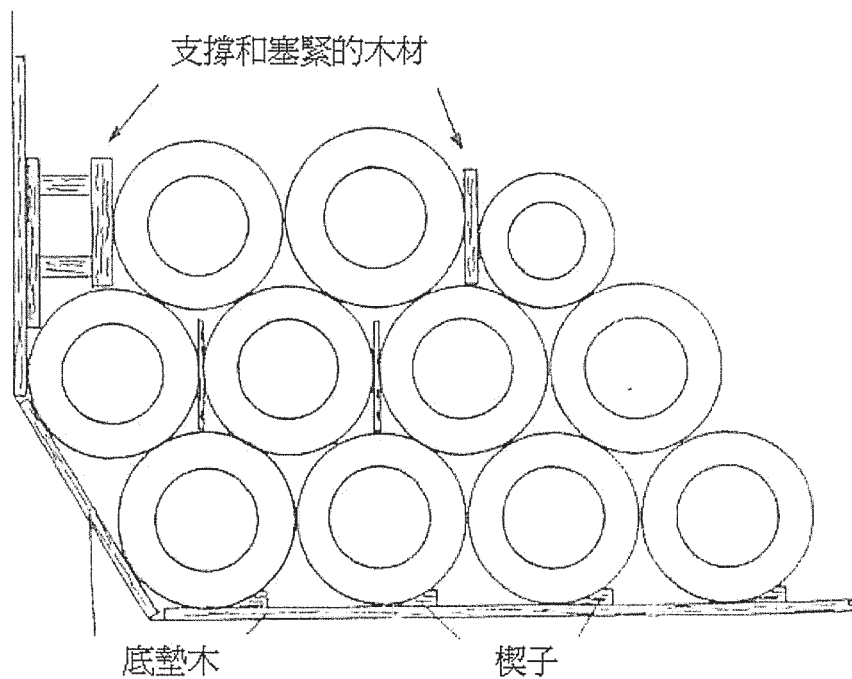


圖 3：卷材間空隙中的支撐和塞緊

### 3 繫索

3.1 目的是通過將它們綁在一起使之在艙裏形成一個大的不可移動的卷材組。一般來說，最高一層最後三排的帶鋼卷材應予綁紮。由於它們的易損特性，為防止縱向移動在無外包裝卷材的頂層不應使用成組綁紮，頂層最後一排應用墊木和鋼絲繩繫固，並應從一側到另一側拉緊和使用附加鋼絲繩拉到艙壁。當卷材裝滿整個底下處所並有良好支撐時，除用於固定卷材外，不需要繫索（圖 4、5 和 6）。

3.2 繫索可以是使用鋼絲繩或任何等效方法的常規類型。

3.3 常規繫索應由有足夠拉力強度的鋼絲繩構成。第一層應用楔子塞緊。在航行中應能重新收緊繫索。

3.4 鋼絲繫索應有防止利刃損壞的保護。

3.5 如只有少量卷材，或僅有一個卷材，它們應適當地繫固在船上，可以把它們放在支架裏，用楔子塞牢或給予支撐和綁紮，以防橫向和縱向移動。

3.6 集裝箱、火車車箱和公路車輛中裝載的卷材應裝在支架裏或特別製作的底座上，並應以適當的繫固防止移動。

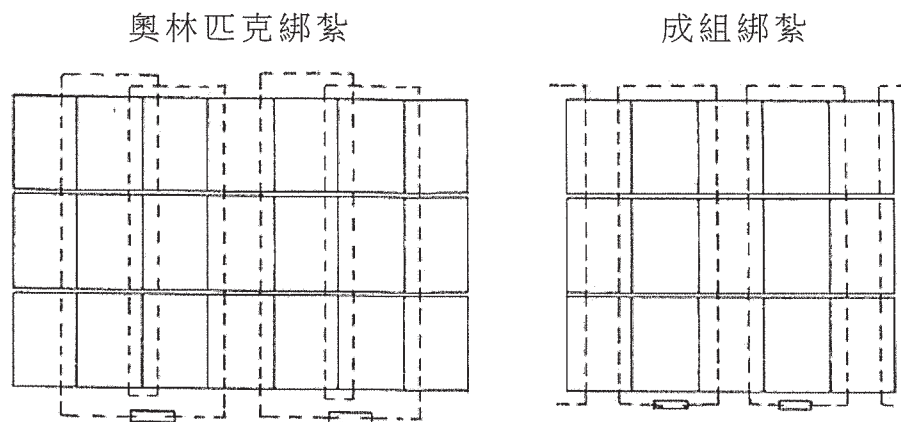


圖 4：為防止首尾向移動對最高層的繫固（俯視圖）

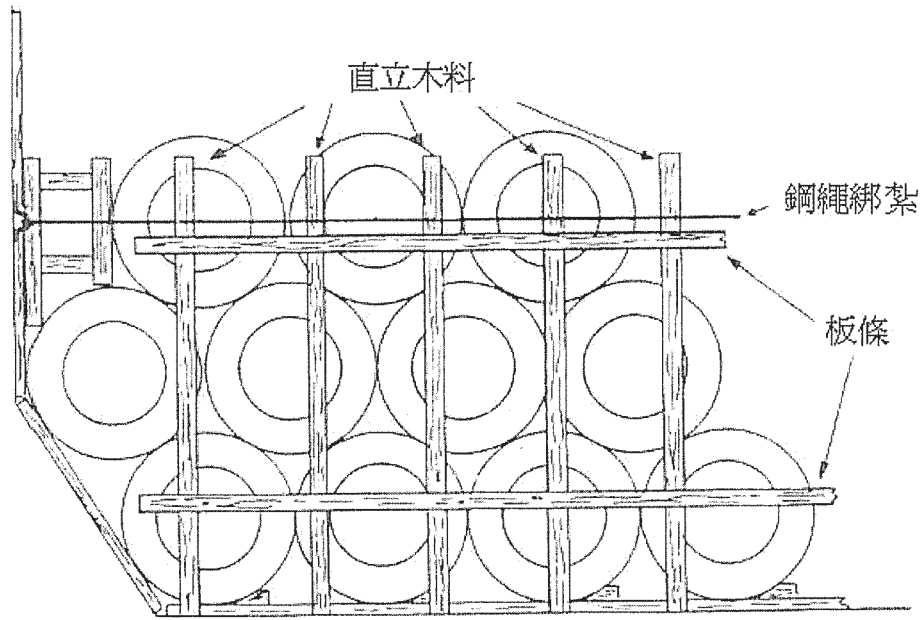


圖 5：為防止首尾向移動對最高一層最後一排的繫固

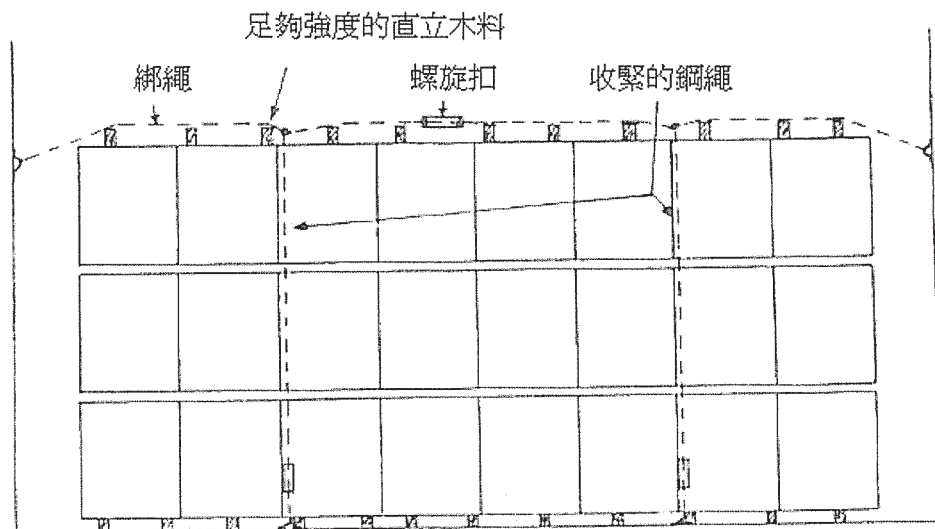


圖 6：為防止首尾向移動對最高一層最後一排的繫固（俯視圖）

## 附件 7

### 重金屬製品的安全積載和繫固

#### 1 總則

1.1 在本規則中，重金屬製品包括任何金屬製造的重件，如棒材、管材、盤條、板材和線材卷等等。

1.2 海上運輸重金屬製品會給船舶造成下述危險：

- .1 船舶結構的過度超限應力，如果超過船殼容許應力或甲板容許負荷；
- .2 船舶結構的過度超限應力，由於超過穩心高度造成短橫搖周期的結果；
- .3 由於不當繫固造成貨物移動引起失去穩心或對船殼造成損害或二者。

#### 2 建議

2.1 積載重金屬製品的貨物處所應是乾淨、乾燥和沒有油脂的。

2.2 貨物應避免以不當船殼應力方式配載。

2.3 不應超過允許的甲板和艙頂負荷。

2.4 在積載和繫固重金屬製品時，應採取下述措施：

- .1 貨物應從船舶一側向另一側密實積載，在貨物間不要留出空檔，如必要在貨物間使用木塊；

- .2 在可能和可行時，貨物應裝平；
  - .3 貨物表面應予繫固；和
  - .4 支柱應由牢固、無裂紋的木頭製成，其尺寸應足以經受加速力。船舶的每根肋骨應用一個橫支柱，但間隔不應小於 1 米。
- 2.5 對於薄板和小包件，已證明縱向和橫向交替積載是令人滿意的。應在不同層次間使用足夠的乾墊木或其他材料增加摩擦力。
- 2.6 管材、鐵軌、型鋼和鋼坯等等應縱向積載以避免貨物移動對船舶造成損害。
- 2.7 貨物，特別是最高一層的貨物，可用下述方式繫固：
- .1 在其上部裝有其他貨物；或
  - .2 用鋼絲繩綁紮、塞牢或類似方法。
- 2.8 當重金屬製品不是從船的一側裝到另一側時，對適當地繫固這種積載要給與特別的注意。
- 2.9 在繫固貨物表面時，每根繫索應是相互獨立的，對貨物表面施加垂向壓力，並應使貨物任何部分均得到繫固。

### 3 線材卷

- 3.1 線材卷應放平積載，以使每卷靠在鄰近一卷上。逐層積載的卷材應使每一卷材疊放在下邊的卷材上。
- 3.2 線材卷應緊緊地積載在一起並應使用牢固的繫固裝置。在卷材間空檔不能避免時或在貨物處所邊上或端部有空檔時，貨堆應有適當繫固。

3.3 當繫固像桶一樣多層側置積載的線材卷時，要記住除非頂層被繫固住，不然放在貨堆中的卷材會因為船舶的運動被下邊的卷材擠出貨堆。

## 附件 8

### 錨鏈的安全積載和繫固

#### 1 總則

1.1 船舶和近海結構物的錨鏈通常是成捆或連續長度裝載的。

1.2 只要在裝載前、裝載中和裝載後採取一定安全措施，錨鏈可成捆地直接放在積載處而不需作進一步處理；或沿着船舶整個或部分貨物處所縱向積載。

1.3 如果船舶文件中提供的貨物積載圖沒有具體要求，貨物在底層艙和甲板間的配載應使得到的穩性值將能保證適當的穩性。

#### 2 建議

2.1 積載錨鏈的貨物處所應是清潔和無油脂的。

2.2 錨鏈僅應裝在永久覆蓋有木質艙底鋪板或覆蓋有足夠的墊木層或其他增加摩擦力的材料的表面上。錨鏈決不應直接在金屬表面上積載。

#### 3 成捆錨鏈的積載和繫固

3.1 成捆錨鏈可直接被吊到積載處，而不需作進一步處理，吊索應留在錨鏈上，另用鋼絲繞在錨鏈捆上繫紮。



3.2 不需要用墊木等增加摩擦力的材料來隔開錨鏈層，因為錨鏈捆會相互夾持。錨鏈捆的最高一層應用合適的繫索繫在船舶兩舷。錨鏈捆可用吊索獨立或成組繫紮。

#### 4 縱向積載的錨鏈的積載和繫固

4.1 在可能和可行時，每層錨鏈的積載應在接近船舷處開始或結束。應注意堆貨的密實。

4.2 不需要用墊木等增加摩擦力的材料來隔開錨鏈層，因為錨鏈各層會相互夾持。

4.3 根據預計的氣候和海況、航次長度和性質及裝在錨鏈頂上的貨物的性質，每一貨堆的頂層應由適當強度的繫索繫固，繫索在貨堆上的間距要適當，以便固定住整個貨堆。

## 附件 9

### 散裝金屬廢料的安全積載和繫固

#### 1 前言

1.1 本附件論述因其大小、形狀和質量難以緊密積載的金屬廢料的積載，不適用於像金屬鑽屑、刨屑或車床切屑等金屬廢料，此種廢料的運輸在《固體散裝貨物安全作業規則》中有規定。

1.2 運輸金屬廢料的危險包括：

- .1 貨堆移動，它會造成橫傾；
- .2 個別重件移動，它會擊穿水線下船側外板而造成嚴重浸水；
- .3 液艙頂或甲板間超負荷；和
- .4 過大的穩心高度造成的激烈橫搖。

#### 2 建議

2.1 在裝貨前，貨艙壁護條的下層板條應用牢固墊木保護以減少損失和防止重的和銳利的廢物接觸船側板。只有木板保護的空氣管、聲納管和污水和壓載水管應作類似保護。

2.2 在裝貨時，應注意保證第一批裝入的貨物不能從可能損壞液艙頂部的高度上掉下。

2.3 如輕的和重的廢料裝在同一貨物處所，應先裝重廢料。廢料決不在金屬車床切屑或類似形式的廢金屬頂上積載。

2.4 廢料應密實和均勻積載，沒有空檔或沒有鬆散的廢料的無支撐面。

2.5 重件廢物如果移動能造成船側板或端艙壁損壞，因此應在上面壓載或用適當的繫索繫固。因廢料的性質使用撐擋可能無效。

2.6 應注意避免在液艙頂上和甲板上超負荷。

## 附件 10

### 撓性中間散裝容器的安全積載和繫固

#### 1 前言

1.1 在本指南中，撓性中間散裝容器係指容積不大於 3 米<sup>3</sup>（3,000 升），用於運輸固體的撓性移動式包裝，設計用於機械裝卸，經測試能滿意地承受運輸和運輸應力，可為單用途或多用途設計。

#### 2 貨物資料

至少應向船長提供下述資料：

- .1 撓性中間散裝容器的總數量和要裝的是何種貨物；
- .2 撓性中間散裝容器的尺寸；
- .3 撓性中間散裝容器的總質量；
- .4 是單用途或多用途設計；和
- .5 吊具種類（使用單鉤或多鉤）。

#### 3 建議

3.1 運輸撓性中間散裝容器的理想船舶是大艙口船，因為可將該種容器直接放到積載位置上而不需移動。

3.2 在可行時，貨物處所應是矩形的並且沒有障礙物。

3.3 積載處所應是乾淨、乾燥的，並沒有油和釘子。

3.4 當該種容器在深艙翼部積載時，應有供適合改裝的叉車使用的方便通道和足夠的活動空間。

3.5 當該種容器僅在艙口積載時，貨物處所的翼側和前後端應裝有其他合適貨物或用東西擋住，以便此種容器得到適當支撐。

#### 4 積載

4.1 當裝該種容器時，應記住船舶加速度的典型分佈。

4.2 將船舶寬度除以該種容器寬度便得出橫向積載該種容器的數目和餘下的空檔。如有空檔，則該種容器應從兩側向中心積載，使任何空檔均在艙口的中央。

4.3 該種容器應互相儘可能靠緊積載，任何空檔均應塞牢。

4.4 以後各層這種容器應以相同方法積載，使其完全覆蓋住下邊的該種容器。如這層餘有空檔，也應在艙口中央部位予以塞牢。

4.5 當在艙口位置有足夠空間在下面幾層之上積載另一層時，應確定艙口圍板能否作為圍壁。如不能夠，應採取措施防止該種容器移動到舷側敞露部位。否則該種容器應在艙口圍板間滿裝積載。在這兩種情況下，任何空檔均應在中央部位並予塞牢。

4.6 為防止該種容器向任何一側移動和防止在惡劣氣候下船舶傾斜，在上述兩種情況下，塞牢該種容器是必要的（圖 1）。

#### 5 繫固

5.1 在甲板間或底艙僅有一個部分用來裝撓性中間散裝容器的情況下，應採取措施防止其移動。這些措施應包括用足夠的格子板或膠合板頂住這種容器和使用鋼絲繩從一側到另一側繫固住撓性中間散裝容器貨物。

5.2 用於繫固的鋼絲繩和膠合板應定期檢查，特別在惡劣氣候前和後，如必要時，要重新收緊。

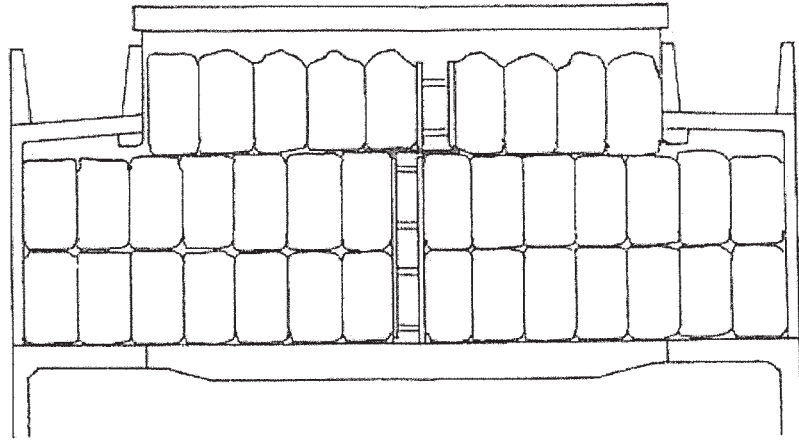


圖 1：在積載區域中心塞滿空檔的撓性中間散裝容器的積載

## 附件 11

### 原木甲板下積載的一般指南

#### 1 前言

本附件的目的是建議原木甲板下積載的安全做法和用於確保此類貨物安全運輸的其他操作性安全措施。

#### 2 裝貨前

- .1 確定每個貨物處所的形狀（長、寬、深）、有關貨物處所的包裝艙容、待裝原木的不同長度、體積（原木平均值）和裝原木的用具的能力；
- .2 使用上述資料，制訂積載前計劃，使處所得最大利用，甲板下積載做得愈好，則可安全地在甲板上承運的貨物就愈多。
- .3 應檢查貨物處所和有關設備以查明結構部件、框架和設備的情況是否會影響原木貨的安全運輸。在此種檢查中發現的任何損壞應以適當方式修復；
- .4 應檢查艙底水吸口濾網，保證它們清潔、有效並得到適當維修，防止碎片進入污水管系統；
- .5 污水井應沒有樹皮和木屑之類的外來物質；
- .6 污水泵系統的能力應予查清。得到適當保養和操作的系統是對船舶安全至關重要的。具有足夠功率和提程的移動式排水泵是防止污水管系堵塞的額外的措施；

- .7 設計用於保護內殼的部件，如貨艙舷側護條、管道防護裝置等，應在其位置上；和
- .8 船長應保證任何高位壓載放洩閥的開啟和關閉均適當地記入航海日誌。如果這種高位壓載艙對方便裝載是必要的，根據《1966 年國際載重線公約》第 22（1）條關於要求在重力舷外排水管系內裝有螺旋閥的規定，船長應保證這種泵閥得到適當監視，以防止水意外地重新進入這些艙內。使這些艙通海可導致明顯的不可解釋的傾斜、甲板貨的移動和潛在的傾覆。

### 3 裝載作業期間

- .1 每吊原木均應在船舶附近處吊到船上，以減少被吊貨物的任何潛在擺動；
- .2 應考慮到船舶損壞的可能性和在貨物處所中工作人員的安全。原木在降放到處所時不應擺動。如必要，應使用艙口圍板，將原木輕輕靠在圍板內側上放下，或在降下前，落在上邊，以便消除原木的任何搖擺；
- .3 原木應密實積載，以便消除儘可能多的空檔。積載在甲板下的原木數量和垂直重心將決定可以在甲板上安全積載貨物的數量。根據這一原則，最重的原木應首先放入貨物處所內；
- .4 一般而言，原木應縱向密實積載，較長者應放在處所的前、後部區域。如果縱向長度間有空檔，應沿處所寬度墊進橫向積載的原木，根據原木長度的許可情況，儘量填滿空隙；



- .5 如果處所中的原木僅能以一根長度縱向積載，任何在前或後部餘下空檔應沿處所寬度以橫向積載的原木填入，根據原木長度的許可情況，儘量填滿；
  - .6 橫向空檔應在裝貨過程中逐層墊入；
  - .7 原木的粗端應首尾交替放置，以達到較平的積載，但內底舷弧過大者除外；
  - .8 應儘最大可能避免原木成金字塔形。如處所的寬度大於艙口的寬度，將縱向裝入的原木滑入處所的左、右舷端部，可避免金字塔形。將原木滑入處所左、右舷端部的做法應從裝貨的早期開始（在內層底上的高度達到 2 米後），並應在裝貨過程中繼續；
  - .9 可能有必要使用活動滑車以把重原木運到艙口範圍外甲板下區域。滑車、滑車組和其他活動滑車應裝在帶環螺栓或眼板之類為此目的提供的、經適當加固的固定物上。但如果遵照這一程序，應注意避免用具超負荷；
  - .10 在整個裝貨期間，船上人員應仔細觀察，以保證不發生結構性損壞。任何影響船舶適航性的損壞均應予以修復；
  - .11 當原木高度達到在前或後橫向艙口圍板下約 1 米處時，應減少每吊原木的尺寸，以便於在餘下區域積載；和
  - .12 在艙口圍板區域的原木應儘量密實積載至最大容量。
- 4 裝貨後，應對船舶進行徹底檢查，以確定其結構情況。應對污水進行測深，核實船舶的水密完整性。

## 5 在航行中

- .1 航行時應對船舶的傾斜角和搖擺周期進行定期檢查；
- .2 如提供楔子、紗頭、錘子和活動泵，則應存放在易於得到處；  
和
- .3 船長或負責駕駛員應以下述方式保證進入圍蔽貨物處所的安全：
  - .3.1 保證以自然或機械方式對處所進行徹底通風；
  - .3.2 在有適當儀器時，檢查處所不同高度上的空氣有無缺氧情況；
  - .3.3 如懷疑處所通風不足，則要求進入該處所的人帶上獨立的呼吸裝置或在進入前先進行測試。

## 附件 12

### 成組貨物的安全積載和繫固

#### 1 前言

就本附件而言，成組貨物係指一些包裝貨物：

- .1 在貨盤等承貨板上放置或堆載並用繫帶、收緊包裝或其他適當方式繫固；或
- .2 放置在貨箱之類保護性外包裝裏；或
- .3 作為一吊貨永久地繫固在一起。

註：移動式罐櫃或容器、中間散裝容器或貨運集裝箱等單件的大包裝貨物不包括在本附件的建議內。

#### 2 貨物資料

至少應向船長提供下述資料：

- .1 成組貨物的總件數和待裝貨物；
- .2 所用的包紮類型；
- .3 以米計的成組貨物尺碼；和
- .4 以千克計的成組貨物毛重。

#### 3 建議

- 3.1 將要積載成組貨物的船舶貨物處所應是乾淨、乾燥和沒有油脂的。

3.2 包括液艙頂部在內的甲板應全部是平的。

3.3 貨物處所最好在水平和垂直方向上都是矩形。前貨艙或甲板間的其他形狀貨物處所應使用適當的木料將其形狀在橫向和縱向上均改成矩形（圖 1）。

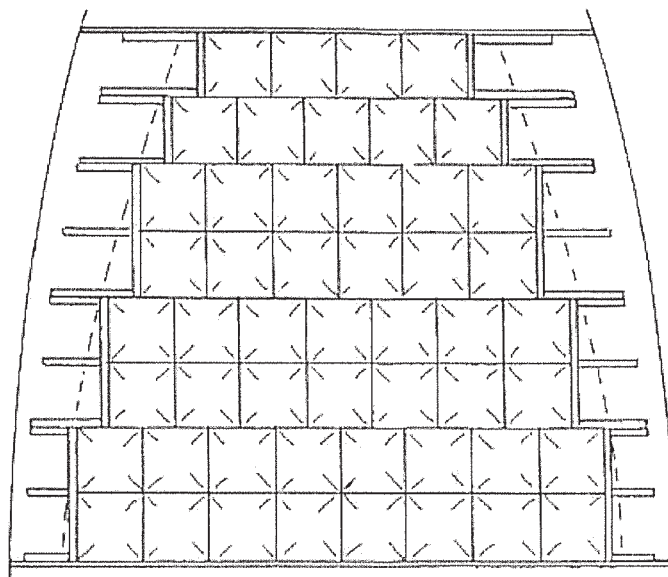


圖 1：錐形積載區域內成組貨物的積載和塞牢（俯視圖）

#### 4 積載

4.1 成組貨物的積載應做到，如必要，能從貨堆的所有面上進行繫固。

4.2 積載成組貨物時，在貨物與船舷之間不應有任何空檔，以防止成組貨物傾斜。

4.3 當成組貨物需要重疊積載時，應注意貨盤強度和成組貨物的形狀和狀況。

4.4 當使用機械裝卸時，應採取預防措施，避免成組貨物受損。

## 5 繫固

應確保成組積載在成組貨物間不留空檔。

## 6 橫向積載時的繫固

6.1 當成組貨物在底艙或甲板間中靠着艙壁從一側裝到另一側時，應靠着成組貨物貨堆垂直安置格子板或膠合板。應用鋼絲繫索從一側拉到另一側，以固定住格子板或膠合板使之能緊貼貨堆。

6.2 此外，為進一步收緊貨堆，鋼絲繫索可以不同間隔從艙壁繞過貨堆聯接到橫向放置的鋼絲繫索上。

## 7 在貨物處所一側的積載，兩邊不靠

當成組貨物積載於貨物處所的前部或後部，有可能在向兩個方向上移動時，應在貨堆無繫固面垂直安置格子板或膠合板。將鋼絲繩從一側繞過貨堆至另一側固定在艙壁上。在鋼絲繩可能損壞成組貨物處（特別是在貨堆角上），應安置格子板和膠合板使角隅處不會損壞。

## 8 三邊不靠的積載

當成組貨物沿船舷積載而可能在三面移動時，應在成組貨物堆裝面上垂直安置格子板和膠合板。特別要注意貨堆的角隅，防止鋼絲繫索損壞成組貨物。應在不同高度上使用鋼絲繫索，收緊邊上裝有格子板或膠合板的貨堆（圖 2）。

## 9 通則

9.1 可使用鋁質撐柱或足夠強度的板條代替格子板或膠合板。

9.2 在航行中，應定期檢查鋼絲繫索，如必要，鬆動的繫索應予重新收緊。特別是在惡劣氣候後，應檢查鋼絲繫索的狀況，如必要應予重新收緊。

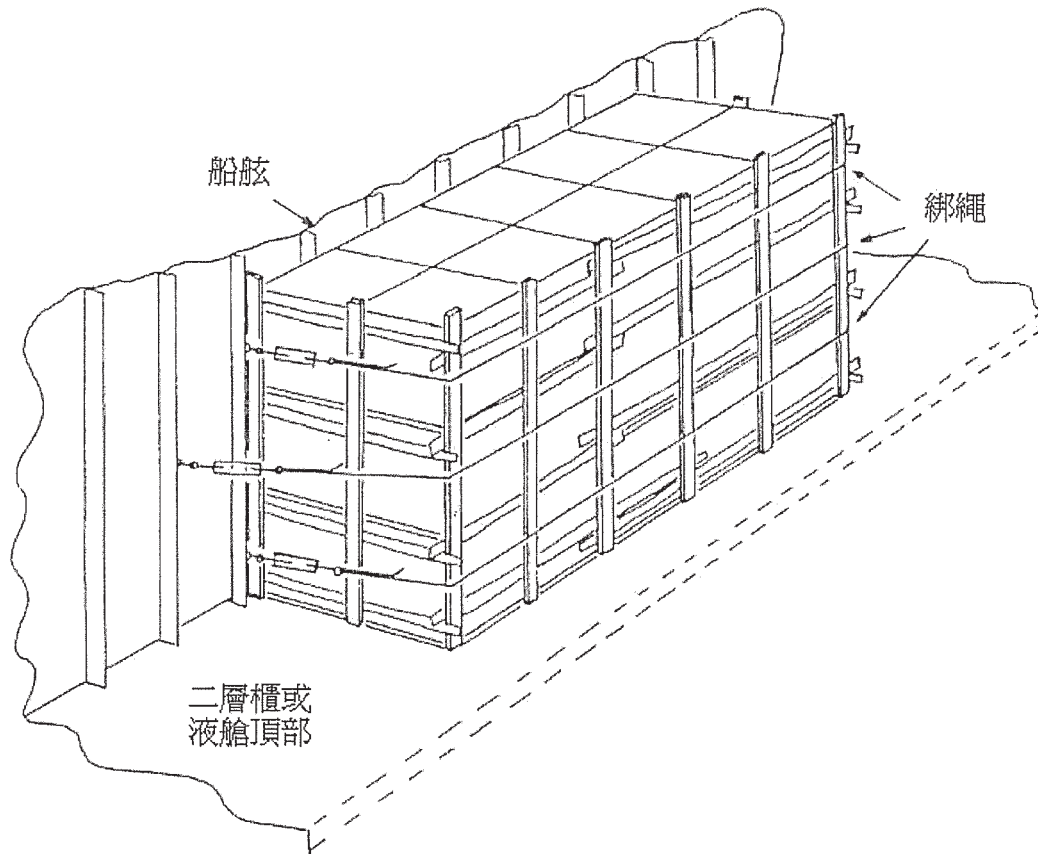


圖 2：船舷裝載成組貨物的繫固

**Resolution A.714(17)***Adopted on 6 November 1991***CODE OF SAFE PRACTICE FOR CARGO STOWAGE AND SECURING**

THE ASSEMBLY,

RECALLING Article 15(j) of the Convention on the International Maritime Organization concerning the functions of the Assembly in relation to regulations and guidelines concerning maritime safety,

RECALLING ALSO resolution A.489(XII) on safe stowage and securing of cargo units and other entities in ships other than cellular container ships and MSC/Circ.385 of January 1985 containing the provisions to be included in a cargo securing manual to be carried on board ships,

RECALLING FURTHER resolution A.533(13) on elements to be taken into account when considering the safe stowage and securing of cargo units and vehicles in ships,

CONSIDERING the revised IMO/ILO Guidelines for Packing Cargo in Freight Containers or Vehicles,

CONSIDERING ALSO resolution A.581(14) on guidelines for securing arrangements for the transport of road vehicles on ro-ro ships,

BEARING IN MIND that a number of serious accidents have occurred as a result of inadequate securing arrangements on board and deficient stowage and securing of cargoes in vehicles and containers, and that only proper stowage and securing of cargo on adequately designed and properly equipped ships can prevent the occurrence of such accidents in the future,

RECOGNIZING the need to improve the stowage and securing of cargoes shown by experience to create specific hazards to the safety of ships, and the stowage and securing of road vehicles transported on board ro-ro ships,

RECOGNIZING FURTHER that such improvement could be achieved by the establishment of a composite code of safe practice for cargo stowage and securing on board ships, including packing or loading cargo in road vehicles and freight containers,

BELIEVING that the application of such a code of safe practice would enhance maritime safety,

HAVING CONSIDERED the recommendations made by the Maritime Safety Committee at its fifty-eighth session,

1. ADOPTS the Code of Safe Practice for Cargo Stowage and Securing set out in the annex to the present resolution;
2. URGES Governments to implement this Code at the earliest possible opportunity;
3. REQUESTS the Maritime Safety Committee to keep this Code under review and to amend it, as necessary;
4. REVOKES resolution A.288(VIII).

## Annex

**CODE OF SAFE PRACTICE  
FOR CARGO STOWAGE AND SECURING**

## Table of contents

**Foreword****General principles****Chapter 1** – General**Chapter 2** – Principles of safe stowage and securing of cargoes**Chapter 3** – Standardized stowage and securing systems**Chapter 4** – Semi-standardized stowage and securing**Chapter 5** – Non-standardized stowage and securing**Chapter 6** – Actions which may be taken in heavy weather**Chapter 7** – Actions which may be taken once cargo has shifted**Annex 1** – Safe stowage and securing of containers on deck of ships which are not specially designed and fitted for the purpose of carrying containers**Annex 2** – Safe stowage and securing of portable tanks**Annex 3** – Safe stowage and securing of portable receptacles**Annex 4** – Safe stowage and securing of wheel-based (rolling) cargoes**Annex 5** – Safe stowage and securing of heavy cargo items such as locomotives, transformers, etc.**Annex 6** – Safe stowage and securing of coiled sheet steel**Annex 7** – Safe stowage and securing of heavy metal products**Annex 8** – Safe stowage and securing of anchor chains**Annex 9** – Safe stowage and securing of metal scrap in bulk**Annex 10** – Safe stowage and securing of flexible intermediate bulk containers**Annex 11** – General guidelines for the under-deck stowage of logs**Annex 12** – Safe stowage and securing of unit loads



## FOREWORD

The proper stowage and securing of cargoes is of the utmost importance for the safety of life at sea. Improper stowage and securing of cargoes has resulted in numerous serious ship casualties and caused injury and loss of life, not only at sea but also during loading and discharge.

In order to deal with the problems and hazards arising from improper stowage and securing of certain cargoes on ships, the International Maritime Organization has issued guidelines in the form of either Assembly resolutions or circulars adopted by the Maritime Safety Committee; these are listed hereunder:\*

- Safe stowage and securing of cargo units and other entities in ships other than cellular containerships, resolution A.489(XII);
- Provisions to be included in the Cargo Securing Manual to be carried on board ships, MSC/Circ.385;
- Elements to be taken into account when considering the safe stowage and securing of cargo units and vehicles in ships, resolution A.533(13);
- Guidelines for securing arrangements for the transport of road vehicles on ro-ro ships, resolution A.581(14);
- IMO/ILO Guidelines for Packing Cargo in Freight Containers or Vehicles;
- Hazards associated with the entry into enclosed spaces, MSC/Circ.487.

The accelerations acting on a ship in a seaway result from a combination of longitudinal, vertical and predominantly transverse motions. The forces created by these accelerations give rise to the majority of securing problems.

The hazards arising from these forces should be dealt with by taking measures both to ensure proper stowage and securing of cargoes on board and to reduce the amplitude and frequency of ship motions.

The purpose of this Code is to provide an international standard to promote the safe stowage and securing of cargoes by:

- drawing the attention of shipowners and ship operators to the need to ensure that the ship is suitable for its intended purpose;
- providing advice to ensure that the ship is equipped with proper cargo securing means;
- providing general advice concerning the proper stowage and securing of cargoes to minimize the risks to the ship and personnel;
- providing specific advice on those cargoes which are known to create difficulties and hazards with regard to their stowage and securing;
- advising on actions which may be taken in heavy sea conditions; and
- advising on actions which may be taken to remedy the effects of cargo shifting.

In providing such advice, it should be borne in mind that the master is responsible for the safe conduct of the voyage and the safety of the ship, its crew and its cargo.

---

\* The relevant resolutions, circulars and guidelines will be included as an appendix in the consolidated publication of the Assembly resolution and the Code.

## GENERAL PRINCIPLES

All cargoes should be stowed and secured in such a way that the ship and persons on board are not put at risk.

The safe stowage and securing of cargoes depend on proper planning, execution and supervision.

Personnel commissioned to tasks of cargo stowage and securing should be properly qualified and experienced.

Personnel planning and supervising the stowage and securing of cargo should have a sound practical knowledge of the application and content of the Cargo Securing Manual, if provided.

In all cases, improper stowage and securing of cargo will be potentially hazardous to the securing of other cargoes and to the ship itself.

Decisions taken for measures of stowage and securing cargo should be based on the most severe weather conditions which may be expected by experience for the intended voyage.

Ship-handling decisions taken by the master, especially in bad weather conditions, should take into account the type and stowage position of the cargo and the securing arrangements.

## CHAPTER 1 - GENERAL

### 1.1 Application

This Code applies to cargoes carried on board ships (other than solid and liquid bulk cargoes and timber stowed on deck) and, in particular, to those cargoes whose stowage and securing have proved in practice to create difficulties.

### 1.2 Definitions of the terms used

For the purposes of this Code:

*Cargo unit* means a vehicle, container, flat, pallet, portable tank, packaged unit, or any other entity, etc., and loading equipment, or any part thereof, which belongs to the ship but is not fixed to the ship as defined in Assembly resolution A.489(XII).

*Intermediate bulk container (IBC)* means a rigid, semi-rigid or flexible portable bulk container packaging of a capacity of not more than 3 m<sup>3</sup> (3,000 l), designed for mechanical handling and tested for its satisfactory resistance to handling and transport stresses.

*Portable tank* means a tank which is not permanently secured on board a ship, and has a capacity of more than 450 l and a shell fitted with external stabilizing members and items of service equipment and structural equipment necessary for the transport of gases, liquids or solids.

*Road tank-vehicle* means a vehicle with wheels and fitted with a tank or tanks intended for the transport of gases, liquids or solids by both road and sea modes of transport, the tank or tanks of which are rigidly and permanently attached to the vehicle during all normal operations of loading, transport and discharge and are neither filled nor emptied on board.

*Road vehicle* means a commercial vehicle, semi-trailer, road train, articulated road train or a combination of vehicles, as defined in Assembly resolution A.581(14).

*Roll-trailer* means a low vehicle for the carriage of cargo with one or more wheel axles on the rear and a support on the front end, which is towed or pushed in the port to and from its stowage on board the ship by a special tow-vehicle.

*Ro-ro ship* means a ship which has one or more decks either closed or open, not normally subdivided in any way and generally running the entire length of the ship, carrying goods which are loaded and unloaded normally in a horizontal manner.

*Unit load* means that a number of packages are either:

- .1 placed or stacked, and secured by strapping, shrink-wrapping or other suitable means, on to a load board such as a pallet; or
- .2 placed in a protective outer packaging such as a pallet box; or
- .3 permanently secured together in a sling.

### 1.3 Forces

1.3.1 Forces, which have to be absorbed by suitable arrangements for stowage and securing to prevent cargo shifting, are generally composed of components acting relative to the axes of the ship:

- longitudinal;
- transversal; and
- vertical.

*Remark:* For the purpose of stowage and securing cargo, longitudinal and transverse forces are considered predominant.

1.3.2 Transverse forces alone, or the resultant of transverse, longitudinal and vertical forces, normally increase with the height of the stow and the longitudinal distance of the stow from the ship's centre of motion in a seaway. The most severe forces can be expected in the furthest forward, the furthest aft and the highest stowage position on each side of the ship.

1.3.3 The transverse forces exerted increase directly with the metacentric height of the ship. An undue metacentric height may be caused by:

- improper design of the ship;
- unsuitable cargo distribution; and
- unsuitable bunker and ballast distribution.

1.3.4 Cargo should be so distributed that the ship has a metacentric height in excess of the required minimum and, whenever practicable, within an acceptable upper limit to minimize the forces acting on the cargo.

1.3.5 In addition to the forces referred to above, cargo carried on deck may be subjected to forces arising from the effects of wind and green seas.

1.3.6 Improper shiphandling (course or speed) may create adverse forces acting on the ship and the cargo.

1.3.7 The magnitude of the forces may be estimated by using the appropriate calculation methods as contained in the Cargo Securing Manual, if provided.

1.3.8 Although the operation of anti-roll devices may improve the behaviour of the ship in a seaway, the effect of such devices should not be taken into account when planning the stowage and securing of cargoes.

### 1.4 Behaviour of cargoes

1.4.1 Some cargoes have a tendency to deform or to compact themselves during the voyage, which will result in a slackening of their securing gear.

1.4.2 Cargoes with low friction coefficients, when stowed without proper friction-increasing devices such as dunnage, soft boards, rubber mats, etc., are difficult to secure unless tightly stowed across the ship.

## **1.5 Criteria for estimating the risk of cargo shifting**

**1.5.1** When estimating the risk of cargo shifting, the following should be considered:

- dimensional and physical properties of the cargo;
- location of the cargo and its stowage on board;
- suitability of the ship for the particular cargo;
- suitability of the securing arrangements for the particular cargo;
- expected seasonal weather and sea conditions;
- expected ship behaviour during the intended voyage;
- stability of the ship;
- geographical area of the voyage; and
- duration of the voyage.

**1.5.2** These criteria should be taken into account when selecting suitable stowage and securing methods and whenever reviewing the forces to be absorbed by the securing equipment.

**1.5.3** Bearing in mind the above criteria, the master should accept the cargo on board his ship only if he is satisfied that it can be safely transported.

## **1.6 Cargo Securing Manual**

**1.6.1** Ships carrying cargo units and other entities covered in this Code and as outlined in resolution A.489(XII) (appendix) should carry a Cargo Securing Manual as detailed in MSC/Circ.385.

**1.6.2** The cargo securing arrangements detailed in the ship's Cargo Securing Manual, if provided, should be based on the forces expected to affect the cargo carried by the ship, calculated in accordance with a method accepted by the Administration or approved by a classification society acceptable to the Administration.

## **1.7 Equipment**

The ship's cargo securing equipment should be:

- available in sufficient quantity;
- suitable for its intended purpose, taking into account the recommendations of the Cargo Securing Manual, if provided;
- of adequate strength;
- easy to use; and
- well maintained.

## **1.8 Special cargo transport units**

The shipowner and the ship operator should, where necessary, make use of relevant expertise when considering the shipment of a cargo with unusual characteristics which may require special attention to be given to its location on board vis-à-vis the structural strength of the ship, its stowage and securing, and the weather conditions which may be expected during the intended voyage.

## **1.9 Cargo information**

**1.9.1** Before accepting a cargo for shipment, the shipowner or ship operator should obtain all necessary information about the cargo and ensure that:

- the different commodities to be carried are compatible with each other or suitably separated;
- the cargo is suitable for the ship;
- the ship is suitable for the cargo; and
- the cargo can be safely stowed and secured on board the ship and transported under all expected conditions during the intended voyage.

**1.9.2** The master should be provided with adequate information regarding the cargo to be carried so that its stowage may be properly planned for handling and transport.

## **CHAPTER 2 – PRINCIPLES OF SAFE STOWAGE AND SECURING OF CARGOES**

### **2.1 Suitability of cargo for transport**

Cargo carried in containers, road vehicles, shipborne barges, railway wagons and other cargo transport units should be packed and secured within these units so as to prevent, throughout the voyage, damage or hazard to the ship, to the persons on board and to the marine environment.

### **2.2 Cargo distribution**

**2.2.1** It is of utmost importance that the master takes great care in planning and supervising the stowage and securing of cargoes in order to prevent cargo sliding, tipping, racking, collapsing, etc.

**2.2.2** The cargo should be distributed so as to ensure that the stability of the ship throughout the entire voyage remains within acceptable limits so that the hazards of excessive accelerations are reduced as far as practicable.

**2.2.3** Cargo distribution should be such that the structural strength of the ship is not adversely affected.

### **2.3 Cargo securing arrangements**

**2.3.1** Particular care should be taken to distribute forces as evenly as practicable between the cargo securing devices. If this is not feasible, the arrangements should be upgraded accordingly.

**2.3.2** If, due to the complex structure of a securing arrangement or other circumstances, the person in charge is unable to assess the suitability of the arrangement from experience and knowledge of good seamanship, the arrangement should be verified by using an acceptable calculation method.

### **2.4 Residual strength after wear and tear**

Cargo securing arrangements and equipment should have sufficient residual strength to allow for normal wear and tear during their lifetime.

### **2.5 Friction forces**

Where friction between the cargo and the ship's deck or structure or between cargo transport units is insufficient to avoid the risk of sliding, suitable material such as soft boards or dunnage should be used to increase friction.

### **2.6 Shipboard supervision**

**2.6.1** The principal means of preventing the improper stowage and securing of cargoes is through proper supervision of the loading operation and inspections of the stow.

**2.6.2** As far as practicable, cargo spaces should be regularly inspected throughout the voyage to ensure that the cargo, vehicles and cargo transport units remain safely secured.

### **2.7 Entering enclosed spaces**

The atmosphere in any enclosed space may be incapable of supporting human life through lack of oxygen or it may contain flammable or toxic gases. The master should ensure that it is safe to enter any enclosed space.

**2.8 General elements to be considered by the master**

Having evaluated the risk of cargo-shifting, taking into account the criteria set out in 1.5, the master should ensure, prior to loading of any cargo, cargo transport unit or vehicle that:

- .1 the deck area for their stowage is, as far as practicable, clean, dry and free from oil and grease;
- .2 the cargo, cargo transport unit or vehicle, appears to be in suitable condition for transport, and can be effectively secured;
- .3 all necessary cargo securing equipment is on board and in good working condition; and
- .4 cargo in or on cargo transport units and vehicles is, to the extent practicable, properly stowed and secured on to the unit or vehicle.

**2.9 Cargo stowage and securing declaration**

**2.9.1** Where there is reason to suspect that a container or vehicle into which dangerous goods have been packed or loaded is not in compliance with the provisions of section 12 or 17, as appropriate, of the General Introduction to the IMDG Code, or where a container packing certificate/vehicle packing declaration is not available, the unit should not be accepted for shipment.

**2.9.2** Where practicable and feasible, road vehicles should be provided with a cargo stowage and securing declaration, stating that the cargo on the road vehicle has been properly stowed and secured for the intended sea voyage, taking into account the IMO/ILO guidelines for packing cargo in freight containers or vehicles. An example of such a declaration is given hereunder. The vehicle packing declaration, recommended by the IMDG Code (see 2.9.1), may be acceptable for this purpose.

*Example*

<b>CARGO STOWAGE AND SECURING DECLARATION</b>	
Vehicle no. ....	.....
Place of loading .....	.....
Date of loading .....	.....
Commodity(ies) .....	.....
I hereby declare that the cargo on the above-mentioned vehicle has been properly stowed and secured for transport by sea, by taking into account the IMO/ILO Guidelines for Packing Cargo in Freight Containers or Vehicles.	
Name of signatory .....	.....
Status .....	.....
Place .....	Date .....
Signature on behalf of the packer .....	
Remarks: .....	
.....	
.....	
.....	
.....	
.....	

## CHAPTER 3 – STANDARDIZED STOWAGE AND SECURING SYSTEMS

### 3.1 Recommendations

Ships intended for the carriage of cargoes in a standardized stowage and securing system (e.g. containers, railway wagons, shipborne barges, etc.) should be:

- .1 so designed and equipped that the standardized cargoes concerned can be safely stowed and secured on board under all conditions expected during the intended voyage;
- .2 of a design and so equipped as to be accepted by the Administration or approved by a classification society acceptable to the Administration; and
- .3 provided with adequate information, for use by the master, on the arrangements provided for the safe stowage and securing of the specific cargoes for which the ship is designed or adapted.

## CHAPTER 4 – SEMI-STANDARDIZED STOWAGE AND SECURING

### 4.1 Securing arrangements

4.1.1 Ships intended for the carriage of certain specific cargoes such as road vehicles, systemized cargo carrying roll-trailers and automobiles on ro-ro ships, etc., should be provided with securing points spaced sufficiently close to each other for the intended operation of the ship and in accordance with section 4 of the guidelines for securing arrangements for the transport of road vehicles on ro-ro ships (resolution A.581(14)).

4.1.2 Road vehicles intended for transport by sea should be provided with arrangements for their safe stowage and securing, as detailed in section 5 of the annex to resolution A.581(14).

4.1.3 Roll-trailers carrying systemized cargo should be provided with arrangements for the safe stowage and securing of the vehicle and its cargo. Special consideration should be given to the height of the stow, the compactness of the stow and the effects of a high centre of gravity of the cargo.

### 4.2 Stowage and securing of vehicles

4.2.1 Vehicles, including roll-trailers not provided with adequate securing arrangements, should be stowed and secured in accordance with chapter 5 of this Code.

4.2.2 Ro-ro ships which do not comply with the requirements of section 4 of the annex to resolution A.581(14) or are not provided with equivalent stowage and securing means providing for an equivalent degree of safety during transport by sea should be dealt with in accordance with chapter 5 of this Code.

4.2.3 Vehicles should be stowed and secured in accordance with sections 6 and 7 of the annex to resolution A.581(14). Special consideration should be given to the stowage and securing of roll-trailers carrying systemized cargo, road tank-vehicles and portable tanks on wheels, taking into account the effects of a tank's high centre of gravity and free surface.

### 4.3 Acceptance of road vehicles for transport by sea on ro-ro ships

4.3.1 The master should not accept a road vehicle for transport on board his ship unless satisfied that the road vehicle is apparently suitable for the intended voyage and is provided with at least the securing points specified in section 5 of the annex to resolution A.581(14).

4.3.2 In exceptional circumstances, where there is some doubt that the recommendations of 4.3.1 can or need to be fulfilled, the master may accept the vehicle for shipment, after taking into account the condition of the vehicle and the expected nature of the intended voyage.

## CHAPTER 5 - NON-STANDARDIZED STOWAGE AND SECURING

### 5.1 Recommendations

5.1.1 This chapter and the annexes provide advice of a general nature for the stowage and securing of cargoes not covered by chapters 3 and 4 of this Code and particularly specific advice for the stowage and securing of cargoes which have proved to be difficult to stow and secure on board ships.

5.1.2 The list of cargoes given in 5.3 should not be regarded as exhaustive, as there may be other cargoes which could create hazards if not properly stowed and secured.

### 5.2 Equivalent stowage and securing

The guidance given in the annexes provides for certain safeguards against the problems inherent in the cargoes covered. Alternative methods of stowage and securing may afford the same degree of safety. It is imperative that any alternative method chosen should provide a level of securing safety at least equivalent to that described in the resolutions, circulars and guidelines listed in the foreword to this Code.

### 5.3 Cargoes which have proved to be a potential source of danger

Such cargoes include:

- .1 containers when carried on deck of ships which are not specially designed and fitted for the purpose of carrying containers (annex 1);
- .2 portable tanks (tank-containers) (annex 2);
- .3 portable receptacles (annex 3);
- .4 special wheel-based (rolling) cargoes (annex 4);
- .5 heavy cargo items such as locomotives, transformers, etc. (annex 5);
- .6 coiled sheet steel (annex 6);
- .7 heavy metal products (annex 7);
- .8 anchor chains (annex 8);
- .9 metal scrap in bulk (annex 9);
- .10 flexible intermediate bulk containers (FIBCs) (annex 10);
- .11 logs in under-deck stow (annex 11); and
- .12 unit loads (annex 12).

## CHAPTER 6 - ACTIONS WHICH MAY BE TAKEN IN HEAVY WEATHER

### 6.1 General

The purpose of this chapter is not to usurp the responsibilities of the master, but rather to offer some advice on how stresses induced by excessive accelerations caused by bad weather conditions could be avoided.

### 6.2 Excessive accelerations

Measures to avoid excessive accelerations are:

- .1 alteration of course or speed or a combination of both;
- .2 heaving to;



- .3 early avoidance of areas of adverse weather and sea conditions; and
- .4 timely ballasting or deballasting to improve the behaviour of the ship, taking into account the actual stability conditions (see also 7.2).

### 6.3 Voyage planning

One way of reducing excessive accelerations is for the master, as far as possible and practicable, to plan the voyage of the ship carefully so as to avoid areas with severe weather and sea conditions. The master should always consult the latest available weather information.

## CHAPTER 7 – ACTIONS WHICH MAY BE TAKEN ONCE CARGO HAS SHIFTED

7.1 The following actions may be considered:

- .1 alterations of course to reduce accelerations;
- .2 reductions of speed to reduce accelerations and vibration;
- .3 monitoring the integrity of the ship;
- .4 restowing or resecuring the cargo and, where possible, increasing the friction; and
- .5 diversion of route in order to seek shelter or improved weather and sea conditions.

7.2 Tank ballasting or deballasting operations should be considered only if the ship has adequate stability.

## Annex 1

### Safe stowage and securing of containers on deck of ships which are not specially designed and fitted for the purpose of carrying containers

#### 1 STOWAGE

- 1.1 Containers carried on deck or on hatches of such ships should preferably be stowed in the fore-and-aft direction.
- 1.2 Containers should not extend over the ship's sides. Adequate supports should be provided when containers overhang hatches or deck structures.
- 1.3 Containers should be stowed and secured so as to permit safe access for personnel in the necessary operation of the ship.
- 1.4 Containers should at no time overstress the deck or hatches on which they are stowed.
- 1.5 Bottom-tier containers, when not resting on stacking devices, should be stowed on timber of sufficient thickness, arranged in such a way as to transfer the stack load evenly on to the structure of the stowage area.
- 1.6 When stacking containers, use should be made of locking devices, cones, or similar stacking aids, as appropriate, between them.
- 1.7 When stowing containers on deck or hatches, the position and strength of the securing points should be taken into consideration.

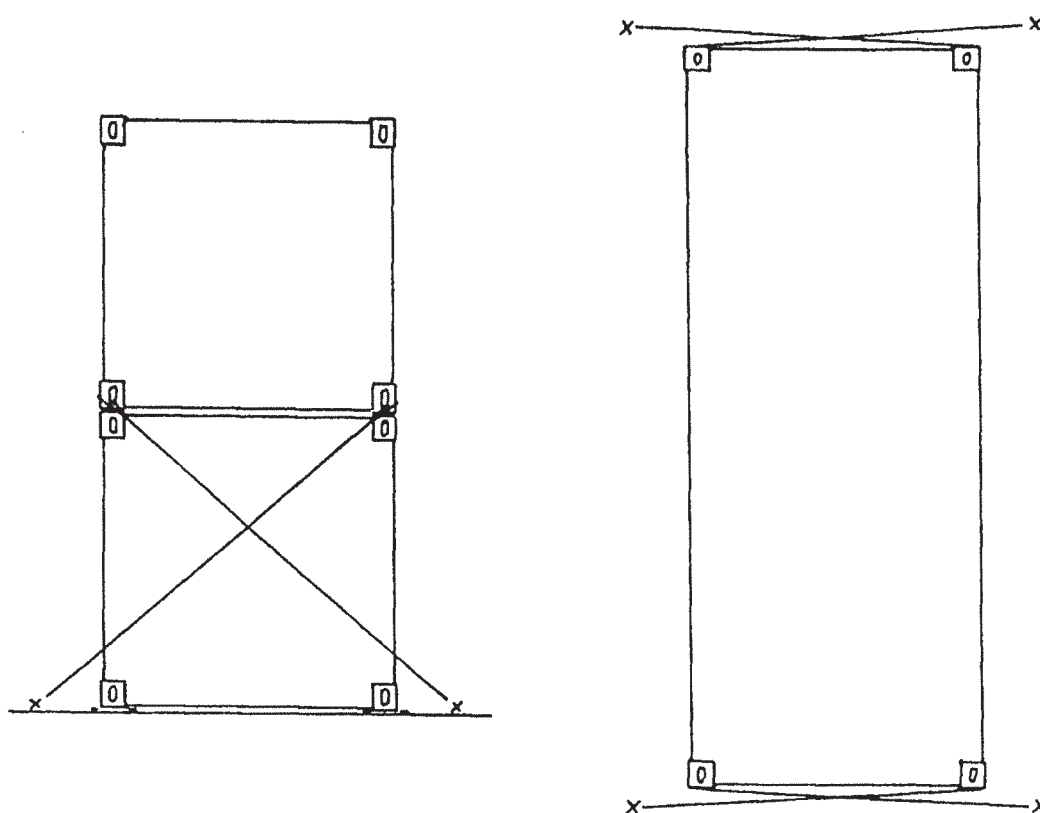
## 2 SECURING

2.1 All containers should be effectively secured in such a way as to protect them from sliding and tipping. Hatch covers carrying containers should be adequately secured to the ship.

2.2 Containers should be secured using one of the three methods recommended in figure 1 or methods equivalent thereto.

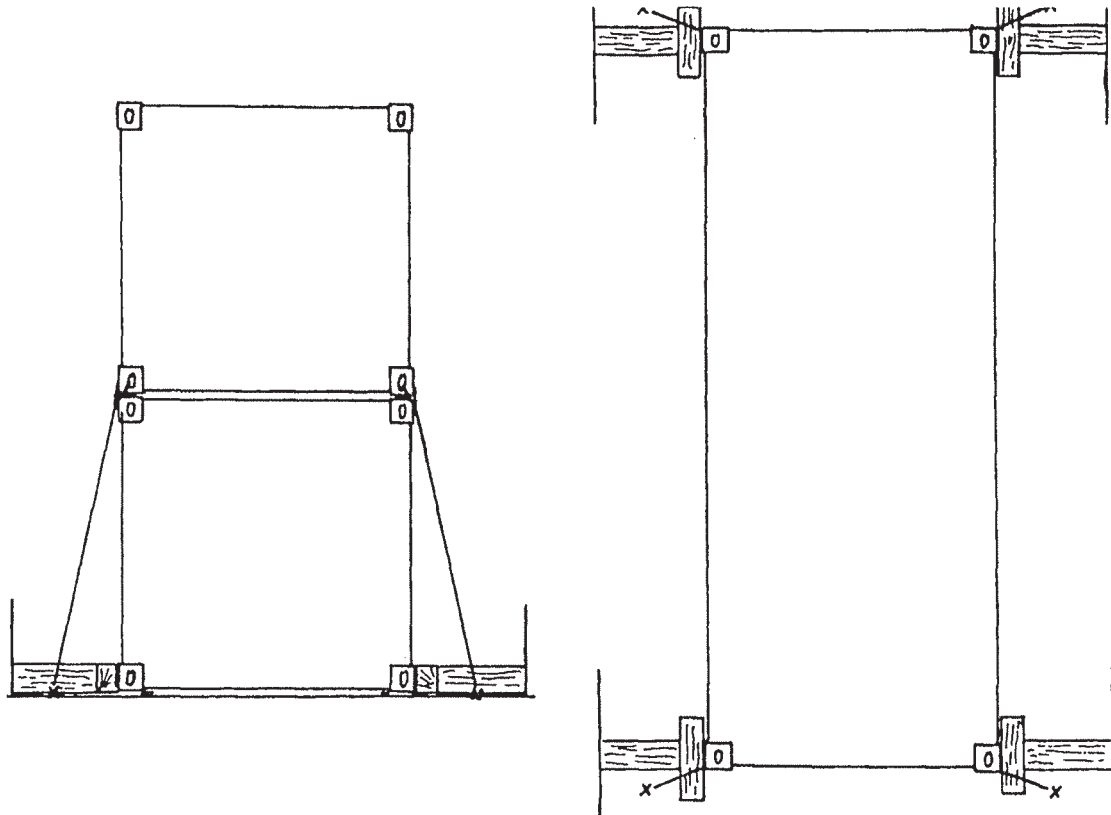
2.3 Lashings should preferably consist of wire ropes or chains or material with equivalent strength and elongation characteristics.

2.4 Timber shoring should not exceed 2 m in length.

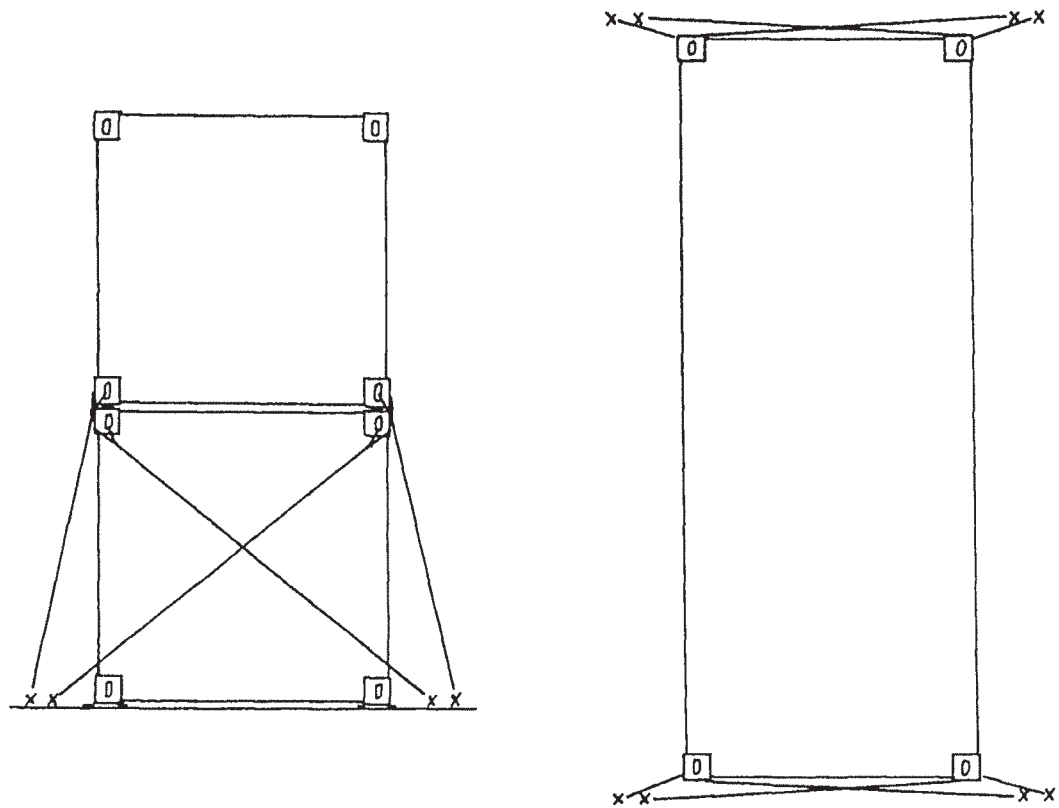


**Method A** – *Medium-weight containers: weight of top container not more than 70% of that of bottom container*

Figure 1 – Recommended methods of non-standardized securing of containers



**Method B** – *Medium-weight containers: weight of top container may be more than 70% of that of bottom container*



**Method C** – *Heavyweight containers: weight of top container may be more than 70% of that of bottom container*

Figure 1 – Recommended methods of non-standardized securing of containers (cont.)

2.5 Wire clips should be adequately greased, and tightened so that the dead end of the wire is visibly compressed (figure 2).

2.6 Lashings should be kept, when possible, under equal tension.

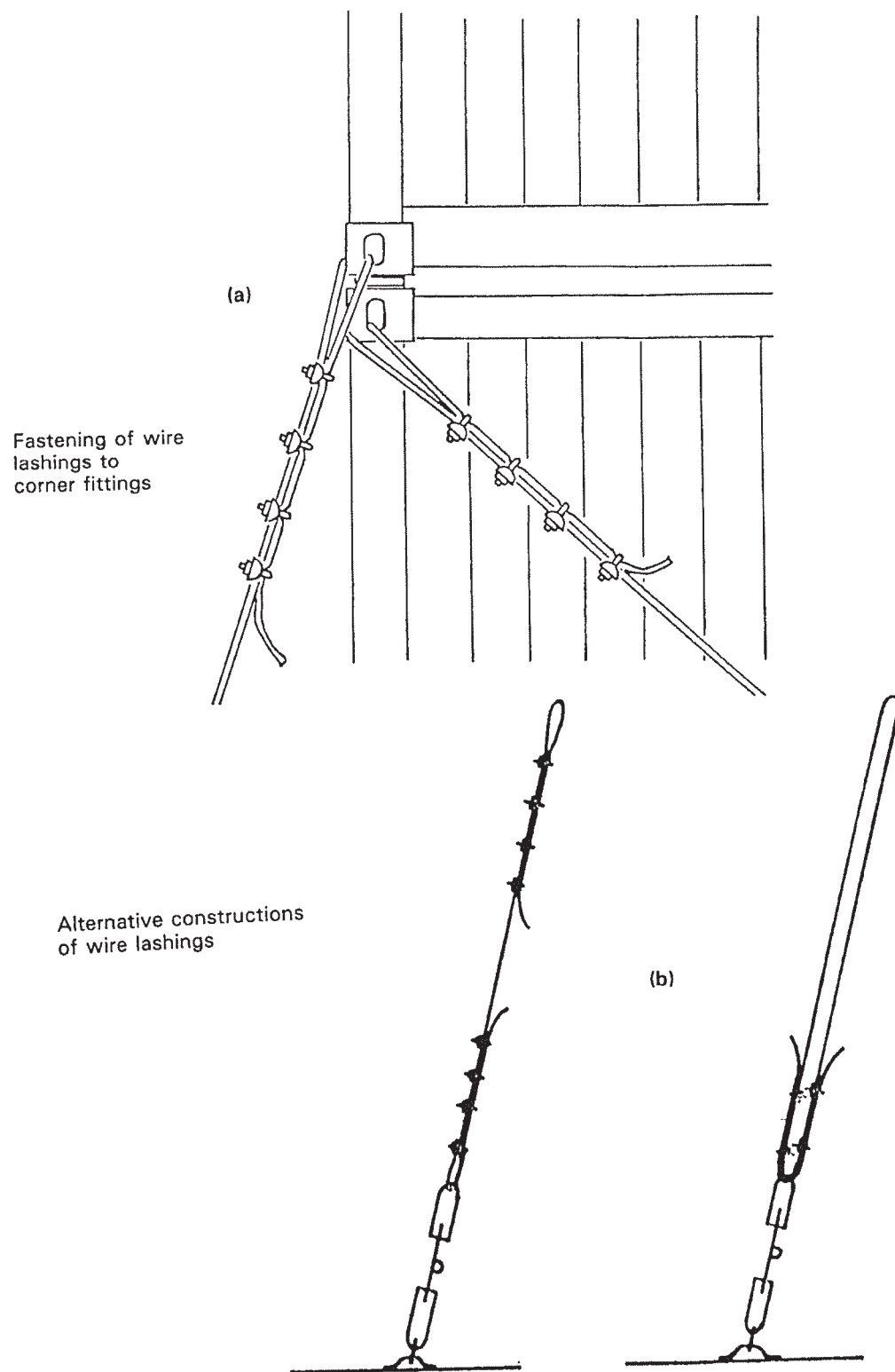


Figure 2

## Annex 2

### Safe stowage and securing of portable tanks

#### 1 INTRODUCTION

1.1 The provisions of this annex apply to a portable tank, which in the context of this annex, means a tank which is not permanently secured on board the vessel and has a capacity of more than 450 l and a shell fitted with external stabilizing members and items of service equipment and structural equipment necessary for the transport of liquids, solids or gases.

1.2 These provisions do not apply to tanks intended for the transport of liquids, solids or gases having a capacity of 450 l or less.

*Note:* The capacity for portable tanks for gases is 1,000 l or more.

#### 2 GENERAL PROVISIONS FOR PORTABLE TANKS

2.1 Portable tanks should be capable of being loaded and discharged without the need of removal of their structural equipment and be capable of being lifted on to and off the ship when loaded.

2.2 The applicable requirements of the International Convention for Safe Containers (CSC), 1972, as amended, should be fulfilled by any tank-container which meets the definition of a container within the terms of that Convention. Additionally, the provisions of section 13 of the General Introduction to the IMDG Code should be met when the tank will be used for the transport of dangerous goods.

2.3 Portable tanks should not be offered for shipment in an ullage condition liable to produce an unacceptable hydraulic force due to surge within the tank.

2.4 Portable tanks for the transport of dangerous goods should be certified in accordance with the provisions of the IMDG Code by the competent approval authority or a body authorized by that authority.

#### 3 PORTABLE TANK ARRANGEMENT

3.1 The external stabilizing members of a portable tank may consist of skids or cradles and, in addition, the tank may be secured to a platform-based container. Alternatively, a tank may be fixed within a framework of ISO or non-ISO frame dimensions.

3.2 Portable tank arrangements should include fittings for lifting and securing on board.

*Note:* All types of the aforementioned portable tanks may be carried on multipurpose ships but need special attention for lashing and securing on board.

#### 4 CARGO INFORMATION

4.1 The master should be provided with at least the following information:

- .1 dimensions of the portable tank and commodity if non-dangerous and, if dangerous, the information required in accordance with the IMDG Code;
- .2 the gross mass of the portable tank; and
- .3 whether the portable tank is permanently secured on to a platform-based container or in a frame and whether securing points are provided.

## 5 STOWAGE

- 5.1 The typical distribution of accelerations of the ship should be borne in mind in deciding whether the portable tank will be stowed on or under deck.
- 5.2 Tanks should be stowed in the fore-and-aft direction on or under deck.
- 5.3 Tanks should be stowed so that they do not extend over the ship's side.
- 5.4 Tanks should be stowed so as to permit safe access for personnel in the necessary operation of the ship.
- 5.5 At no time should the tanks overstress the deck or hatches; the hatchcovers should be so secured to the ship that tipping of the entire hatchcover is prevented.

## 6 SECURING AGAINST SLIDING AND TIPPING

### 6.1 Non-standardized portable tanks

6.1.1 The securing devices on non-standardized portable tanks and on the ship should be arranged in such a way as to withstand the transverse and longitudinal forces, which may give rise to sliding and tipping. The lashing angles against sliding should not be higher than  $25^\circ$  and against tipping not lower than  $45^\circ$  to  $60^\circ$  (figure 1).

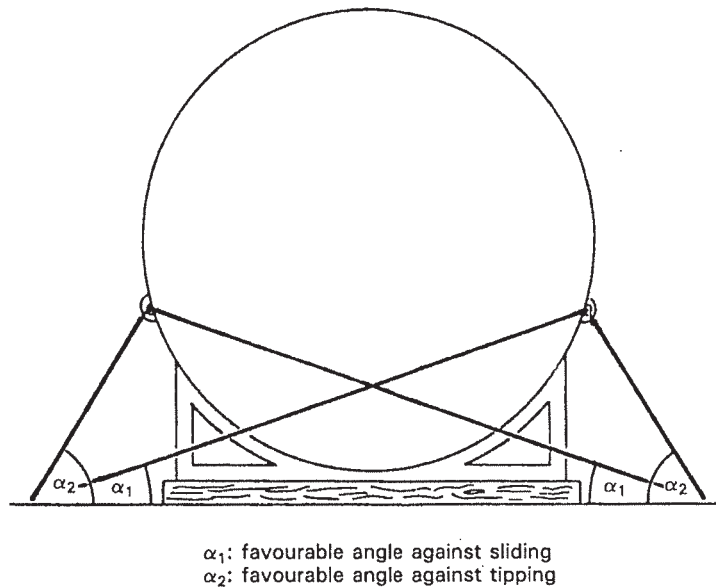


Figure 1 - Securing of portable tanks with favourable lashing angles

6.1.2 Whenever necessary, timber should be used between the deck surface and the bottom structure of the portable tank in order to increase friction. This does not apply to tanks on wooden units or with similar bottom material having a high coefficient of friction.

6.1.3 If stowage under deck is permitted, the stowage should be such that the portable non-standardized tank can be landed directly on its place and bedding.

6.1.4 Securing points on the tank should be of adequate strength and clearly marked.

Note: Securing points designed for road and rail-transport may not be suitable for transport by sea.

6.1.5 Lashings attached to tanks without securing points should pass around the tank and both ends of the lashing should be secured to the same side of the tank (figure 2).

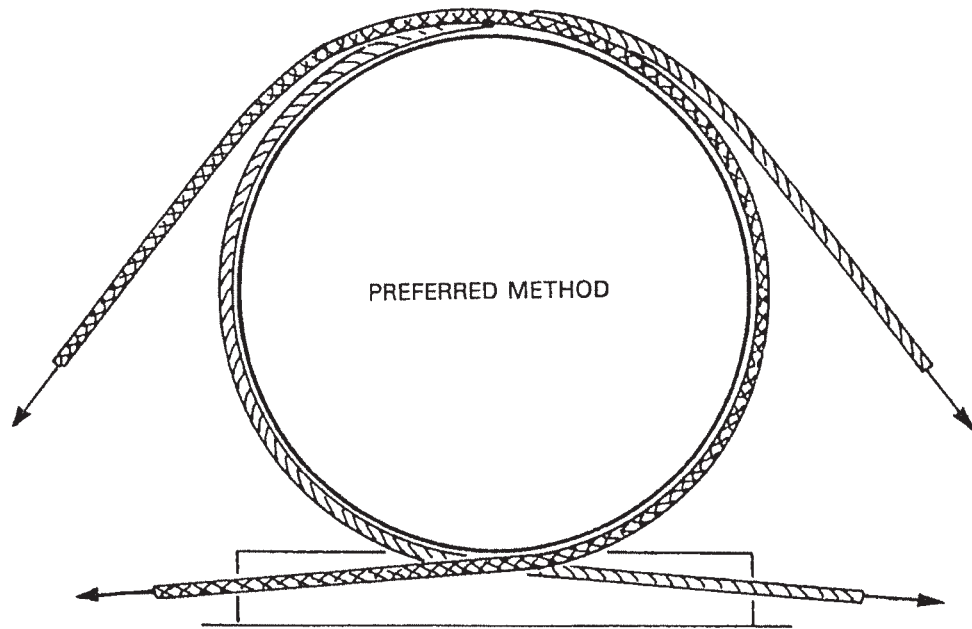


Figure 2 – Securing of portable tanks having no securing points

6.1.6 Sufficient securing devices should be arranged in such a way that each device takes its share of the load with an adequate factor of safety.

6.1.7 The structural strength of the deck or hatch components should be taken into consideration when tanks are carried thereon and when locating and affixing the securing devices.

6.1.8 Portable tanks should be secured in such a manner that no load is imposed on the tank or fittings in excess of those for which they have been designed.

## 6.2 Standardized portable tanks (tank-containers)

6.2.1 Standardized portable tanks with ISO frame dimensions should be secured according to the system of lashing with which the ship is equipped, taking into consideration the height of the tank above the deck and the ullage in the tank.

## 7 MAINTENANCE OF SECURING ARRANGEMENTS

7.1 The integrity of the securing arrangements should be maintained throughout the voyage.

7.2 Particular attention should be paid to the need for tight lashings, grips and clips to prevent weakening through chafing.

7.3 Lashings should be regularly checked and retightened.

## Annex 3

### Safe stowage and securing of portable receptacles\*

#### 1 INTRODUCTION

1.1 A portable receptacle, in the context of these guidelines, means a receptacle not being a portable tank, which is not permanently secured on board the ship and has a capacity of 1,000 l or less and has different dimensions in length, width, height and shape and which is used for the transport of gases or liquids.

2 Portable receptacles can be divided into:

- .1 cylinders of different dimensions without securing points and having a capacity not exceeding 150 l;
- .2 receptacles of different dimensions with the exception of cylinders in conformity with 2.1 having a capacity of not less than 100 l and not more than 1,000 l and whether or not fitted with hoisting devices of sufficient strength; and
- .3 assemblies, known as "frames", of cylinders in conformity with 2.1, the cylinders being interconnected by a manifold within the frame and held firmly together by metal fittings. The frames are equipped with securing and handling devices of sufficient strength (e.g. cylindrical receptacles are equipped with rolling hoops and receptacles are secured on skids).

#### 3 CARGO INFORMATION

3.1 The master should be provided with at least the following information:

- .1 dimensions of the receptacle and commodity if non-dangerous and, if dangerous, the information as required in accordance with the IMDG Code;
- .2 gross mass of the receptacles; and
- .3 whether or not the receptacles are equipped with hoisting devices of sufficient strength.

#### 4 STOWAGE

4.1 The typical distribution of accelerations of the ship should be borne in mind in deciding whether the receptacles should be stowed on or under deck.

4.2 The receptacles should preferably be stowed in the fore-and-aft direction on or under deck.

4.3 Receptacles should be dunnaged to prevent their resting directly on a steel deck. They should be stowed and chocked as necessary to prevent movement unless mounted in a frame as a unit. Receptacles for liquefied gases should be stowed in an upright position.

4.4 When the receptacles are stowed in an upright position, they should be stowed in a block, cribbed or boxed in with suitable and sound timber. The box or crib should be dunnaged underneath to provide clearance from a steel deck. The receptacles in a box or crib should be braced to prevent movement. The box or crib should be securely chocked and lashed to prevent movement in any direction.

\* Where in this annex the term *receptacle* is used, it is meant to include both receptacles and cylinders.



## 5 SECURING AGAINST SLIDING AND SHIFTING

### 5.1 Cylinders

Cylinders should be stowed fore-and-aft on athwartships dunnage. Where practicable, the stow should be secured by using two or more wires, laid athwartships prior to loading, and passed around the stow to securing points on opposite sides. The wires are tightened to make a compact stow by using appropriate tightening devices. During loading, wedges may be necessary to prevent cylinders rolling.

### 5.2 Cylinders in containers

Cylinders should, whenever practicable, be stowed upright with their valves on top and with their protective caps firmly in place. Cylinders should be adequately secured, so as to withstand the rigours of the intended voyage, by means of steel strapping or equivalent means led to lashing points on the container floor. When cylinders cannot be stowed upright in a closed container, they should be carried in an open top or a platform-based container.

### 5.3 Receptacles

Securing of receptacles stowed on or under deck should be as follows:

- .1 lashings should be positioned as shown in figure 1;
- .2 where possible, the hoisting devices on receptacles should be used to lash them; and
- .3 at regular times the lashings should be checked and retightened.

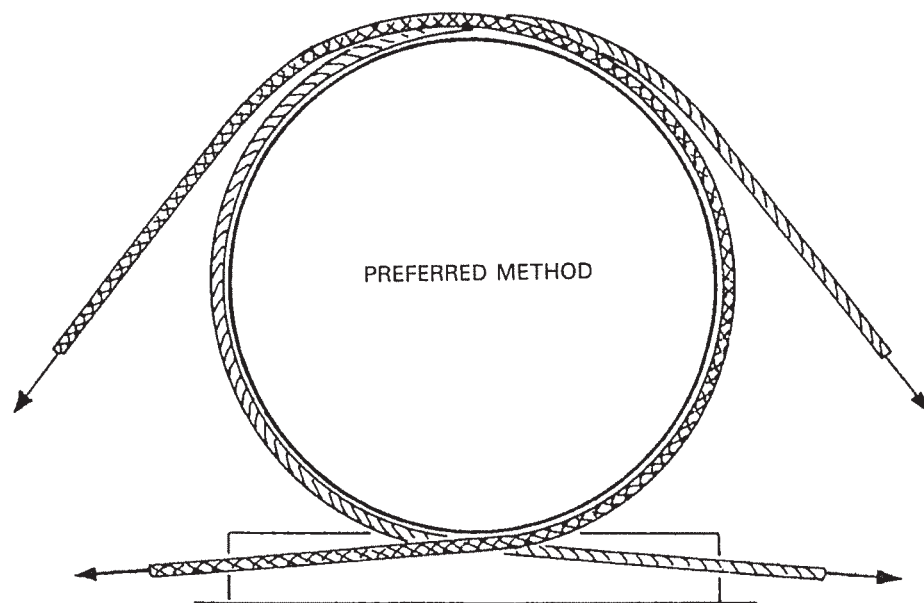


Figure 1 – Securing of receptacles having no securing points

## Annex 4

### Safe stowage and securing of wheel-based (rolling) cargoes

#### 1 INTRODUCTION

Wheel-based cargoes, in the context of these guidelines, are all cargoes which are provided with wheels or tracks, including those which are used for the stowage and transport of other cargoes, except trailers and road-trains (covered by chapter 4 of this Code), but including buses, military vehicles with or without tracks, tractors, earth-moving equipment, roll-trailers, etc.

#### 2 GENERAL RECOMMENDATIONS

**2.1** The cargo spaces in which wheel-based cargo is to be stowed should be dry, clean and free from grease and oil.

**2.2** Wheel-based cargoes should be provided with adequate and clearly marked securing points or other equivalent means of sufficient strength to which lashings may be applied.

**2.3** Wheel-based cargoes which are not provided with securing points should have those places, where lashings may be applied, clearly marked.

**2.4** Wheel-based cargoes, which are not provided with rubber wheels or tracks with friction-increasing lower surface, should always be stowed on wooden dunnage or other friction-increasing material such as soft boards, rubber mats, etc.

**2.5** When in stowage position, the brakes of a wheel-based unit, if so equipped, should be set.

**2.6** Wheel-based cargoes should be secured to the ship by lashings made of material having strength and elongation characteristics at least equivalent to steel chain or wire.

**2.7** Where possible, wheel-based cargoes, carried as part cargo, should be stowed close to the ship's side or in stowage positions which are provided with sufficient securing points of sufficient strength, or be block-stowed from side to side of the cargo space.

**2.8** To prevent any lateral shifting of wheel-based cargoes not provided with adequate securing points, such cargoes should, where practicable, be stowed close to the ship's side and close to each other, or be blocked off by other suitable cargo units such as loaded containers, etc.

**2.9** To prevent the shifting of wheel-based cargoes, it is, where practicable, preferable to stow those cargoes in a fore-and-aft direction rather than athwartships. If wheel-based cargoes are inevitably stowed athwartships, additional securing of sufficient strength may be necessary.

**2.10** The wheels of wheel-based cargoes should be blocked to prevent shifting.

**2.11** Cargoes stowed on wheel-based units should be adequately secured to stowage platforms or, where provided with suitable means, to its sides. Any movable external components attached to a wheel-based unit, such as derricks, arms or turrets should be adequately locked or secured in position.

## Annex 5

### Safe stowage and securing of heavy cargo items such as locomotives, transformers, etc.

#### 1 CARGO INFORMATION

The master should be provided with sufficient information on any heavy cargo offered for shipment so that he can properly plan its stowage and securing; the information should at least include the following:

- .1 gross mass;
- .2 principal dimensions with drawings or pictorial descriptions, if possible;
- .3 location of the centre of gravity;
- .4 bedding areas and particular bedding precautions if applicable;
- .5 lifting points or slinging positions; and
- .6 securing points, where provided, including details of their strength.

#### 2 LOCATION OF STOWAGE

2.1 When considering the location for stowing a heavy cargo item, the typical distribution of accelerations on the ship should be kept in mind:

- .1 lower accelerations occur in the midship sections and below the weather deck; and
- .2 higher accelerations occur in the end sections and above the weather deck.

2.2 When heavy items are to be stowed on deck, the expected “weather side” of the particular voyage should be taken into account if possible.

2.3 Heavy items should preferably be stowed in the fore-and-aft direction.

#### 3 DISTRIBUTION OF WEIGHT

The weight of the item should be distributed in such a way as to avoid undue stress on the ship’s structure. Particularly with the carriage of heavy items on decks or hatch covers, suitable beams of timber or steel of adequate strength should be used to transfer the weight of the item on to the ship’s structure.

#### 4 SECURING AGAINST SLIDING AND TIPPING

4.1 Whenever possible, timber should be used between the stowage surface and the bottom of the unit in order to increase friction. This does not apply to items on wooden cradles or on rubber tyres or with similar bottom material having a high coefficient of friction.

4.2 The securing devices should be arranged in a way to withstand transverse and longitudinal forces which may give rise to sliding or tipping.

4.3 The optimum lashing angle against sliding is about 25°, while the optimum lashing angle against tipping is generally found between 45° and 60° (figure 1).

4.4 If a heavy cargo item has been dragged into position on greased skid boards or other means to reduce friction, the number of lashings used to prevent sliding should be increased accordingly.

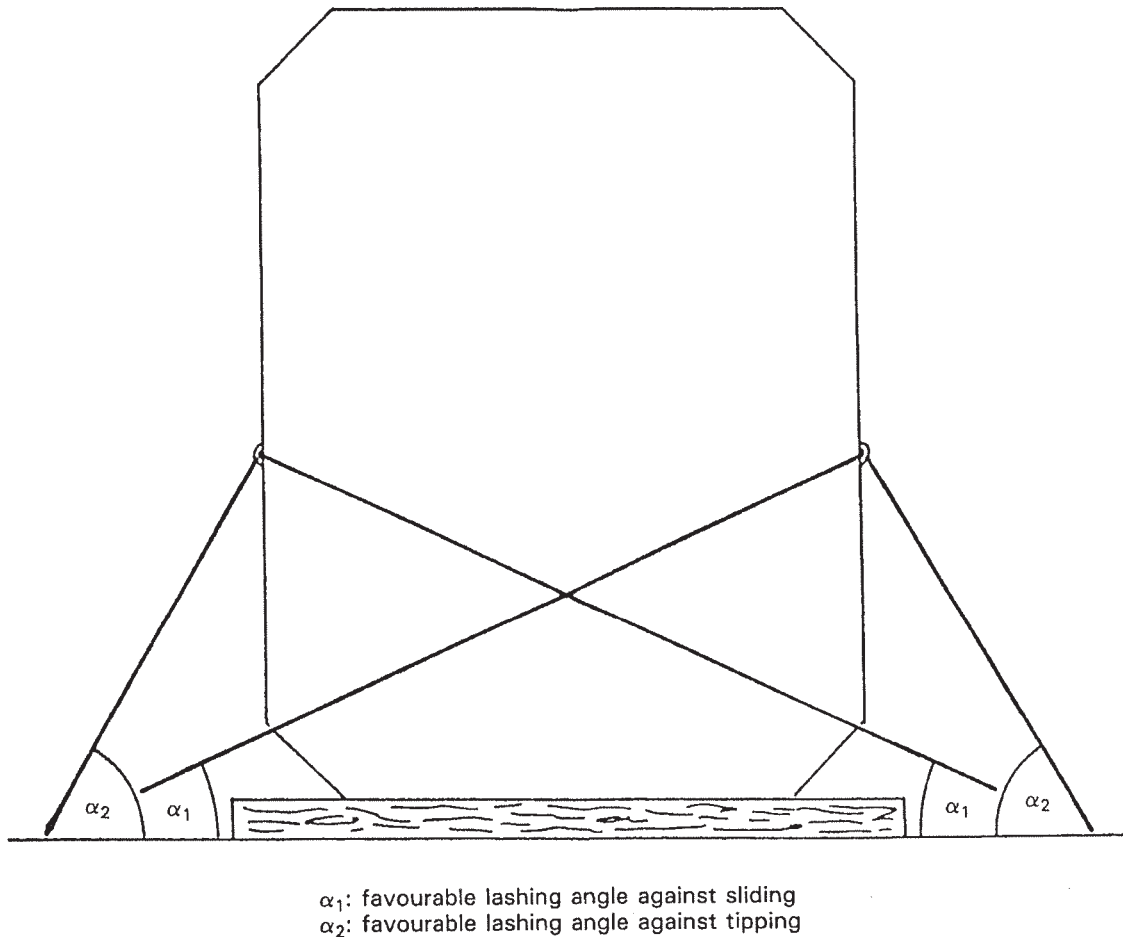


Figure 1 – Principles of securing heavy items against sliding and tipping

4.5 If, owing to circumstances, lashings can be set at large angles only, sliding must be prevented by timber shoring, welded fittings or other appropriate means. Any welding should be carried out in accordance with accepted hot work procedures.

## 5 SECURING AGAINST HEAVY SEAS ON DECK

Whilst it is recognized that securing cargo items against heavy seas on deck is difficult, all efforts should be made to secure such items and their supports to withstand such impact and special means of securing may have to be considered.

## 6 HEAVY CARGO ITEMS PROJECTING OVER THE SHIP'S SIDE

Items projecting over the ship's side should be additionally secured by lashings acting in longitudinal and vertical directions.

## 7 ATTACHMENT OF LASHINGS TO HEAVY CARGO ITEMS

7.1 If lashings are to be attached to securing points on the item, these securing points should be of adequate strength and clearly marked. It should be borne in mind that securing points designed for road or rail transport may not be suitable for securing the items on board ship.

7.2 Lashings attached to items without securing points should pass around the item, or a rigid part thereof, and both ends of the lashing should be secured to the same side of the unit (figure 2).

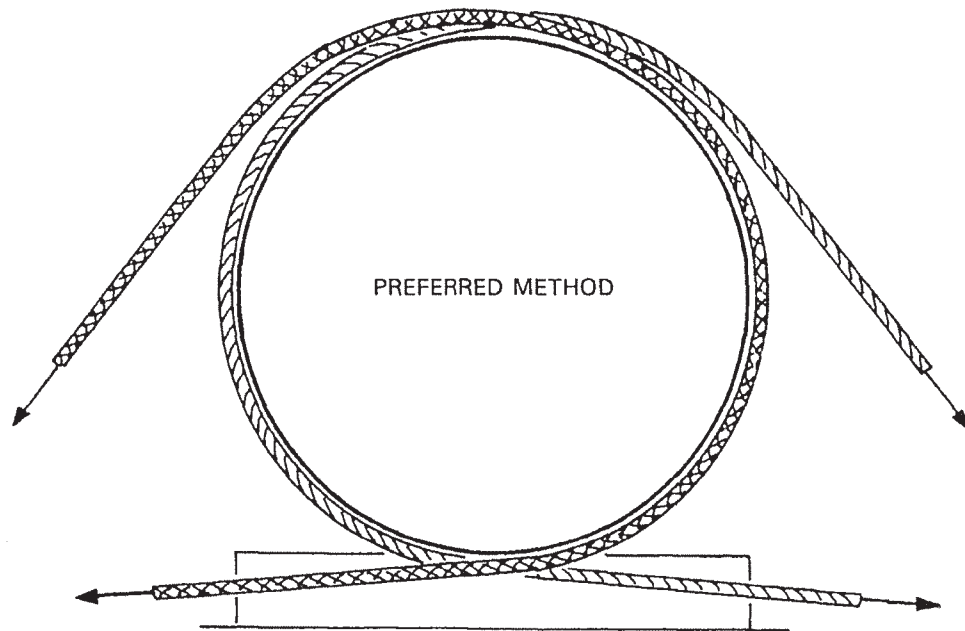


Figure 2 – Principle of securing heavy items having no suitable securing points

## 8 COMPOSITION AND APPLICATION OF SECURING DEVICES

8.1 Securing devices should be assembled so that each component is of equal strength.

8.2 Connecting elements and tightening devices should be used in the correct way. Consideration should be given to any reduction of the strength of the lashings during the voyage through corrosion, fatigue or mechanical deterioration and should be compensated by using stronger securing material.

8.3 Particular attention should be paid to the correct use of wire, grips and clips. The saddle portion of the clip should be applied to the live load segment and the U-bolt to the dead or shortened end segment.

8.4 Securing devices should be arranged in such a way that each device takes its share of load according to its strength.

8.5 Mixed securing arrangements of devices with different strength and elongation characteristics should be avoided.

## 9 MAINTENANCE OF SECURING ARRANGEMENTS

9.1 The integrity of the securing arrangements should be maintained throughout the voyage.

9.2 Particular attention should be paid to the need for tight lashings, grips and clips and to prevent weakening through chafing. Timber cradles, beddings and shorings should be checked.

9.3 Greasing the thread of clips and turnbuckles increases their holding capacity and prevents corrosion.

## 10 SECURING CALCULATION

10.1 Where necessary, the securing arrangements for heavy cargo items should be verified by an appropriate calculation.

## Annex 6

**Safe stowage and securing of coiled sheet steel****1 GENERAL**

1.1 This annex deals only with coiled sheet steel stowed on the round. Vertical stowage is not dealt with because this type of stowage does not create any special securing problems.

1.2 Normally, coils of sheet steel have a gross mass in excess of 10 tonnes each.

**2 COILS**

2.1 Coils should be given bottom stow and, whenever possible, be stowed in regular tiers from side to side of the ship.

2.2 Coils should be stowed on dunnage laid athwartships. Coils should be stowed with their axes in the fore-and-aft direction. Each coil should be stowed against its neighbour. Wedges should be used as stoppers when necessary during loading and discharging to prevent shifting (figures 1 and 2).

2.3 The final coil in each row should normally rest on the two adjacent coils. The mass of this coil will lock the other coils in the row.

2.4 If it is necessary to load a second tier over the first, then the coils should be stowed in between the coils of the first tier (figure 2).

2.5 Any void space between coils in the topmost tier should be adequately secured (figure 3).

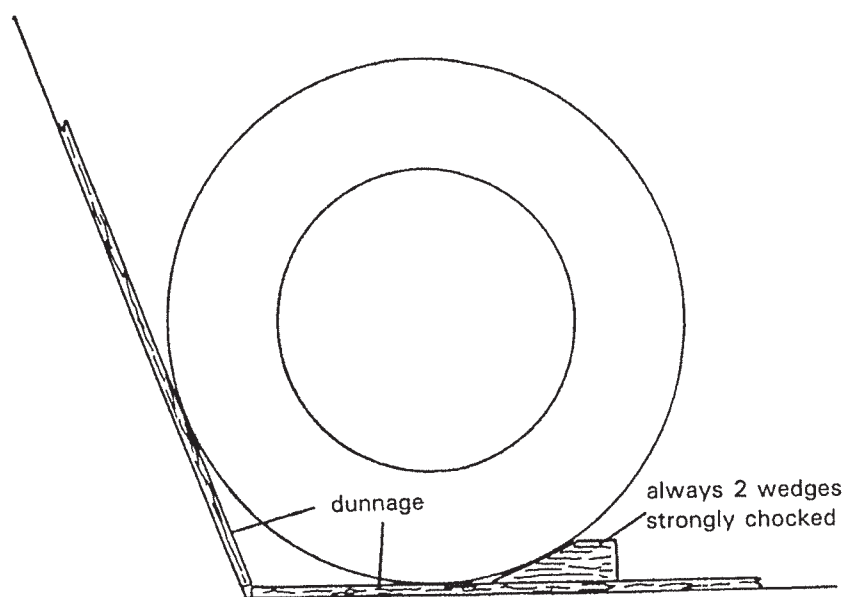


Figure 1 – Principle of dunnaging and wedging coils

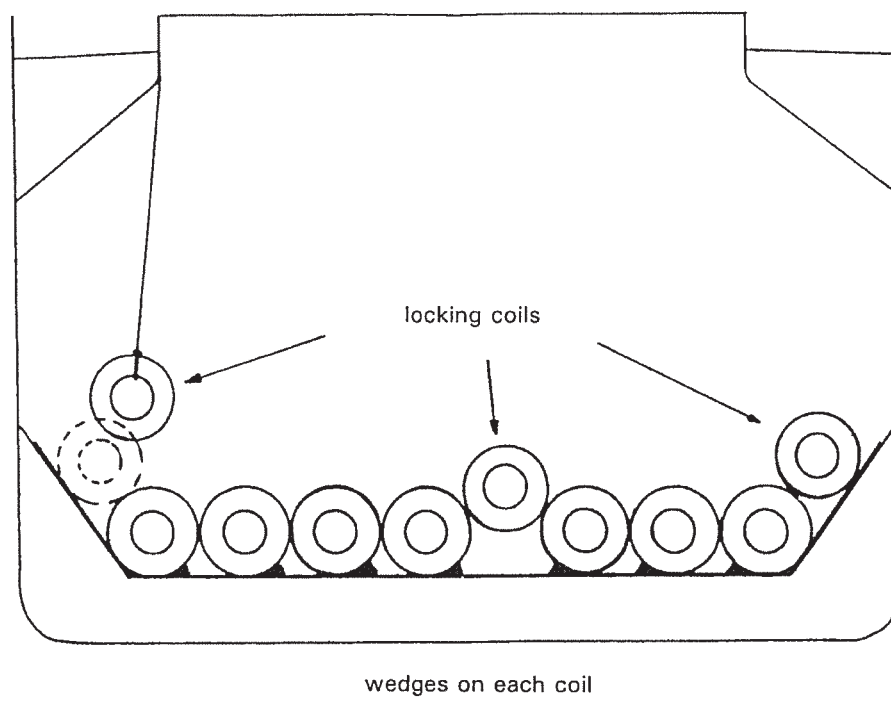


Figure 2 – Inserting of locking coils

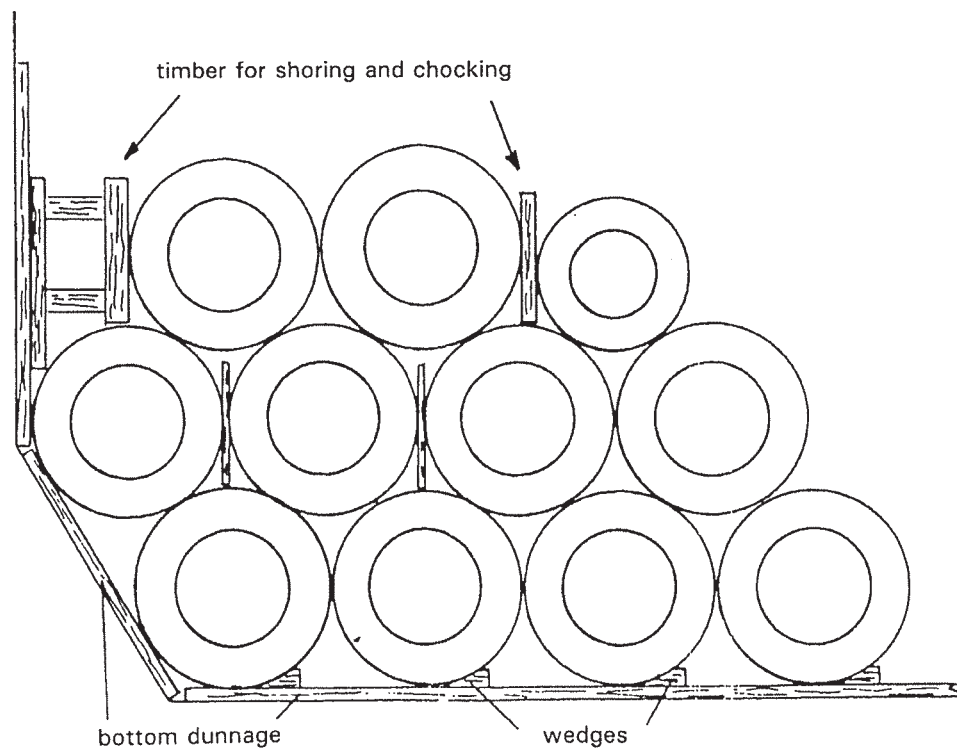


Figure 3 – Shoring and chocking in voids between coils

### 3 LASHINGS

3.1 The objective is to form one large, immovable block of coils in the hold by lashing them together. In general, strip coils in three end rows in the top tier should be lashed. To prevent fore-and-aft shifting in the top tier of bare-wound coils group-lashing should not be applied due to their fragile nature, the end row of a top tier should be secured by dunnage and wires, which are to be tightened from side to side and by additional wires to the bulkhead. When coils are fully loaded over the entire bottom space and are well shored, no lashings are required except for locking coils (figures 4, 5, and 6).

3.2 The lashings can be of a conventional type using wire or any equivalent means.

3.3 Conventional lashings should consist of wires having sufficient tensile strength. The first tier should be chocked. It should be possible to retighten the lashings during the voyage (figures 5 and 6).

3.4 Wire lashings should be protected against damage from sharp edges.

3.5 If there are few coils, or a single coil only, they should be adequately secured to the ship, by placing them in cradles, by wedging, or by shoring and then lashing to prevent transverse and longitudinal movement.

3.6 Coils carried in containers, railway wagons and road vehicles should be stowed in cradles or specially made beds and should be prevented from moving by adequate securing.

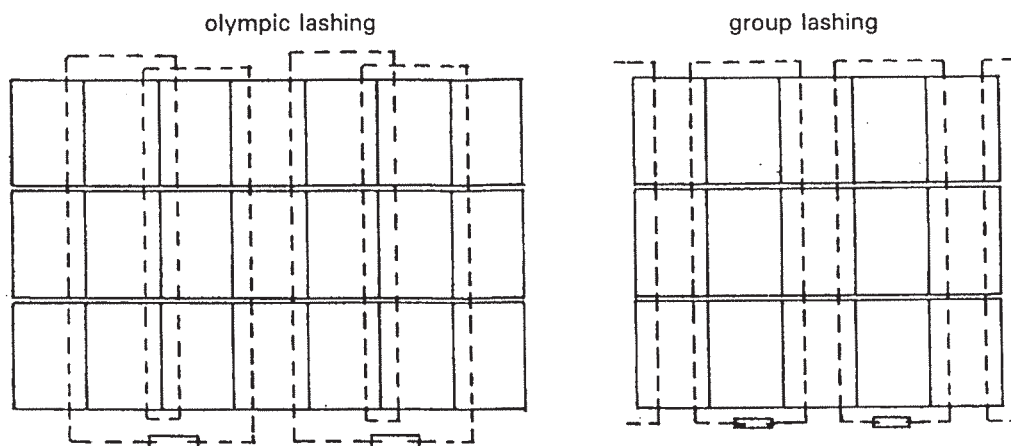


Figure 4 - Securing of top tier against fore-and-aft shifting (view from top)



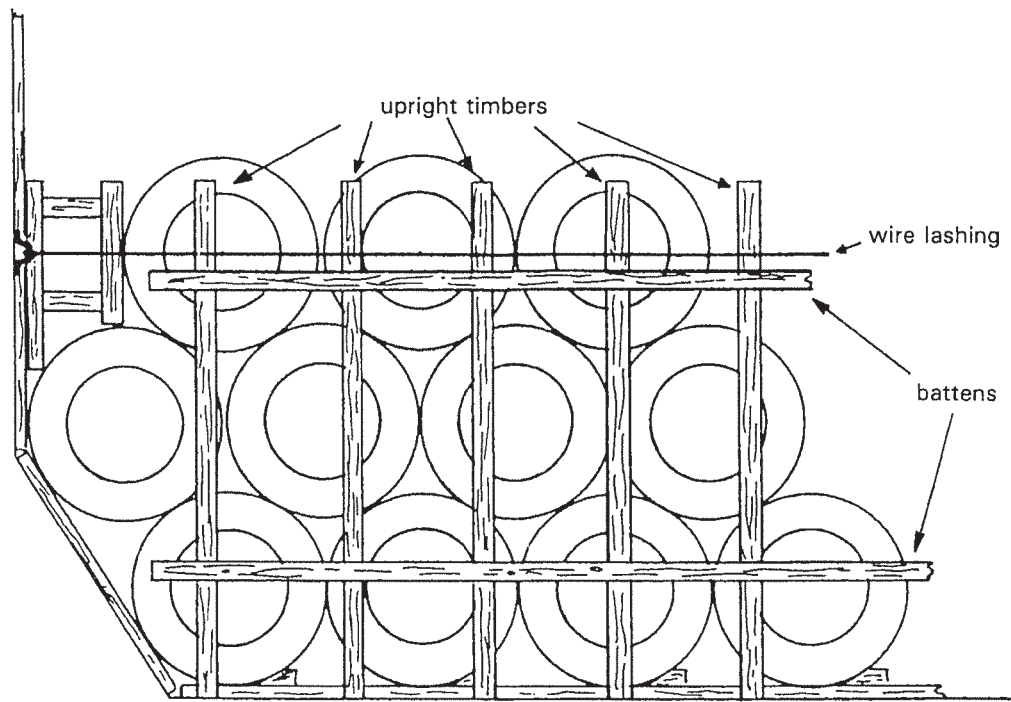


Figure 5 – Securing of end row in top tier against fore-and-aft shifting

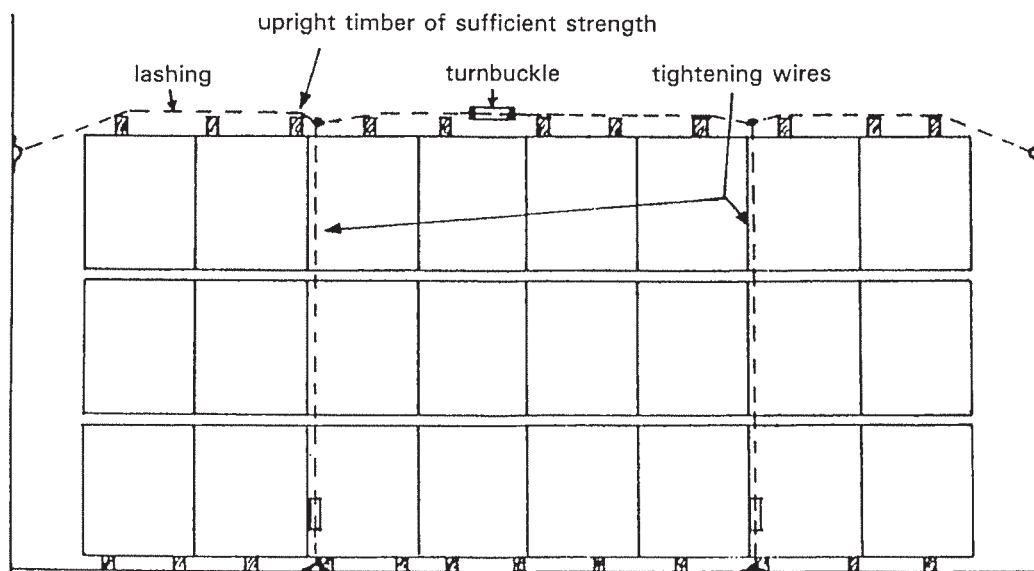


Figure 6 – Securing of end row in top tier against fore-and-aft shifting (view from top)

## Annex 7

### Safe stowage and securing of heavy metal products

#### 1 GENERAL

1.1 Heavy metal products in the context of this Code include any heavy item made of metal, such as bars, pipes, rods, plates, wire coils, etc.

1.2 The transport of heavy metal products by sea exposes the ship to the following principal hazards:

- .1 overstressing of the ship's structure if the permissible hull stress or permissible deck loading is exceeded;
- .2 overstressing of the ship's structure as a result of a short roll period caused by excessive metacentric height; and
- .3 cargo shifting because of inadequate securing resulting in a loss of stability or damage to the hull or both.

#### 2 RECOMMENDATIONS

2.1 The cargo spaces in which heavy metal products are to be stowed should be clean, dry and free from grease and oil.

2.2 The cargo should be so distributed as to avoid undue hull stress.

2.3 The permissible deck and tank top loading should not be exceeded.

2.4 The following measures should be taken when stowing and securing heavy metal products:

- .1 cargo items should be stowed compactly from one side of the ship to the other leaving no voids between them and using timber blocks between items if necessary;
- .2 cargo should be stowed level whenever possible and practicable;
- .3 the surface of the cargo should be secured; and
- .4 the shoring should be made of strong, non-splintering wood and adequately sized to withstand the acceleration forces. One shoring should be applied to every frame of the ship but at intervals of not less than 1 m.

2.5 In the case of thin plates and small parcels, alternate fore-and-aft and athwartships stowage has proved satisfactory. The friction should be increased by using sufficient dry dunnage or other material between the different layers.

2.6 Pipes, rails, rolled sections, billets, etc., should be stowed in the fore-and-aft direction to avoid damage to the sides of the ship if the cargo shifts.

2.7 The cargo, and especially the topmost layer, can be secured by:

- .1 having other cargo stowed on top of it; or
- .2 lashing by wire, chocking off or similar means.

2.8 Whenever heavy metal products are not stowed from side to side of the ship, special care should be taken to secure such stowages adequately.

2.9 Whenever the surface of the cargo is to be secured, the lashings should be independent of each other, exert vertical pressure on the surface of the cargo, and be so positioned that no part of the cargo is unsecured.

### **3 WIRE COILS**

- 3.1** Wire coils should be stowed flat so that each coil rests against an adjacent coil. The coils in successive tiers should be stowed so that each coil overlaps the coils below.
- 3.2** Wire coils should be tightly stowed together and substantial securing arrangements should be used. Where voids between coils are unavoidable or where there are voids at the sides or ends of the cargo space, the stow should be adequately secured.
- 3.3** When securing wire coils stowed on their sides in several layers like barrels, it is essential to remember that, unless the top layer is secured, the coils lying in the stow can be forced out of the stow by the coils below on account of the ship's motions.

## **Annex 8**

### **Safe stowage and securing of anchor chains**

#### **1 GENERAL**

- 1.1** Anchor chains for ships and offshore structures are usually carried in bundles or in continuous lengths.
- 1.2** Provided certain safety measures are followed prior to, during, and after stowage, anchor chains may be lowered directly on to the place of stowage in bundles without further handling or stowed longitudinally either along the ship's entire cargo space or part thereof.
- 1.3** If the cargo plans given in the ship's documentation contain no specific requirements, the cargo should be distributed over the lower hold and 'tween-decks in such a way that stability values thus obtained will guarantee adequate stability.

#### **2 RECOMMENDATIONS**

- 2.1** Cargo spaces in which chains are stowed should be clean and free from oil and grease.
- 2.2** Chains should only be stowed on surfaces which are permanently covered either by wooden ceiling or by sufficient layers of dunnage or other suitable friction-increasing materials. Chains should never be stowed directly on metal surfaces.

#### **3 STOWAGE AND SECURING OF CHAINS IN BUNDLES**

- 3.1** Chains in bundles, which are lifted directly on to their place of stowage without further handling, should be left with their lifting wires attached and should preferably be provided with additional wires around the bundles for lashing purposes.
- 3.2** It is not necessary to separate layers of chain with friction-increasing material such as dunnage because chain bundles will grip each other. The top layer of chain bundles should be secured to both sides of the ship by suitable lashings. Bundles may be lashed independently or in a group, using the lifting wires.

#### **4 STOWAGE AND SECURING OF CHAINS WHICH ARE STOWED LONGITUDINALLY**

- 4.1** Stowage of each layer of chain should, whenever possible and practicable, commence and terminate close to the ship's side. Care should be taken to achieve a tight stow.
- 4.2** It is not necessary to separate layers of chain with friction-increasing material, such as dunnage because chain layers will grip each other.
- 4.3** Bearing in mind the expected weather and sea conditions, the length and nature of the voyage and the nature of the cargo to be stowed on top of the chain, the top layer of each stow should be secured by lashings of adequate strength crossing the stow at suitable intervals and thus holding down the entire stow.

### Annex 9

## Safe stowage and securing of anchor chains

### **1 INTRODUCTION**

- 1.1** This annex deals with the stowage of metal scrap which is difficult to stow compactly because of its size, shape and mass, but does not apply to metal scrap such as metal borings, shavings or turnings, the carriage of which is addressed by the Code of Safe Practice for Solid Bulk Cargoes.
- 1.2** The hazards involved in transporting metal scrap include:
- .1 shifting of the stow which in turn can cause a list;
  - .2 shifting of individual heavy pieces which can rupture the side plating below the waterline and give rise to serious flooding;
  - .3 excessive loading on tank tops or 'tween-decks; and
  - .4 violent rolling caused by excessive metacentric height.

### **2 RECOMMENDATIONS**

- 2.1** Before loading, the lower battens of the spar ceiling should be protected by substantial dunnage to reduce damage and to prevent heavy and sharp pieces of scrap coming in contact with the ship's side plating. Air and sounding pipes, and bilge and ballast lines protected only by wooden boards, should be similarly protected.
- 2.2** When loading, care should be taken to ensure that the first loads are not dropped from a height which could damage the tank tops.
- 2.3** If light and heavy scrap is to be stowed in the same cargo space, the heavy scrap should be loaded first. Scrap should never be stowed on top of metal turnings, or similar forms of waste metal.
- 2.4** Scrap should be compactly and evenly stowed with no voids or unsupported faces of loosely held scrap.
- 2.5** Heavy pieces of scrap, which could cause damage to the side plating or end bulkheads if they were to move, should be overstowed or secured by suitable lashings. The use of shoring is unlikely to be effective because of the nature of the scrap.
- 2.6** Care should be taken to avoid excessive loading on tank tops and decks.

## Annex 10

### Safe stowage and securing of flexible intermediate bulk containers

#### 1 INTRODUCTION

1.1 A flexible intermediate bulk container (FIBC), in the context of these guidelines, means a flexible portable packaging to be used for the transport of solids with a capacity of not more than 3 m<sup>3</sup> (3,000 l) designed for mechanical handling and tested for its satisfactory resistance to transport and transport stresses in a one-way type or multi-purpose design.

#### 2 CARGO INFORMATION

The master should at least be provided with the following information:

- .1 the total number of FIBCs and the commodity to be loaded;
- .2 the dimensions of the FIBCs;
- .3 the total gross mass of the FIBCs;
- .4 one-way type or multi-purpose design; and
- .5 the kind of hoisting (one hook or more hooks to be used).

#### 3 RECOMMENDATIONS

3.1 The ideal ship for the carriage of FIBCs is one with wide hatches so that the FIBCs can be landed directly in the stowage positions without the need for shifting.

3.2 The cargo spaces should, where practicable, be rectangular in shape and free of obstructions.

3.3 The stowage space should be clean, dry and free from oil and nails.

3.4 When FIBCs have to be stowed in deep hatch wings, easy access and sufficient manoeuvring space for suitably adapted fork-lift trucks should be available.

3.5 When FIBCs are stowed in the hatchway only, the space in the wings and the forward and aft end of the cargo space should be loaded with other suitable cargo or blocked off in such a way that the FIBCs are adequately supported.

#### 4 STOWAGE

4.1 The typical distribution of the accelerations of the ship should be kept in mind when FIBCs are loaded.

4.2 The width of the ship divided by the width of the FIBC will give the number of FIBCs which can be stowed athwartships and the void space left. If there will be a void space, the stowage of the FIBCs should start from both sides to the centre, so that any void space will be in the centre of the hatchway.

4.3 FIBCs should be stowed as close as possible against each other and any void space should be chocked off.

4.4 The next layers should be stowed in a similar way so that the FIBCs fully cover the FIBCs underneath. If in this layer a void space is left, it should also be chocked off in the centre of the hatchway.

4.5 When there is sufficient room in the hatchway on top of the layers underneath to stow another layer, it should be established whether the coamings can be used as bulkheads. If not, measures should be taken to prevent the FIBCs shifting to the open space in the wings. Otherwise, the FIBCs should be stowed from one coaming to another. In both cases any void space should be in the centre and should be chocked off.

4.6 Chocking off is necessary in all cases to prevent shifting of the FIBCs to either side and to prevent a list of the ship developing in rough weather (figure 1).

## 5 SECURING

5.1 In cases where only a part of a 'tween-deck or lower hold is used for the stowage of FIBCs, measures should be taken to prevent the FIBCs from shifting. These measures should include sufficient gratings or plywood sheets placed against the FIBCs and the use of wire lashings from side to side to secure the FIBC cargo.

5.2 The wire lashings and plywood sheets used for securing should be regularly checked, in particular before and after rough weather, and retightened if necessary.

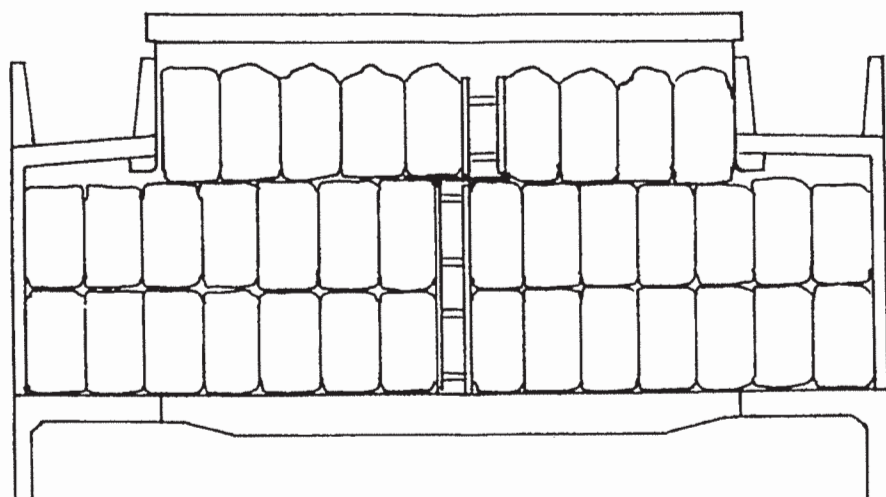


Figure 1 – Stowage of FIBCs with chocked void spaces in the centre of the stowage area

## Annex 11

### General guidelines for the under-deck stowage of logs

#### 1 INTRODUCTION

The purpose of this annex is to recommend safe practices for the under-deck stowage of logs and other operational safety measures designed to ensure the safe transport of such cargoes.

#### 2 Prior to loading:

- .1 each cargo space configuration (length, breadth and depth), the cubic bale capacity of the respective cargo spaces, the various lengths of logs to be loaded, the cubic volume (log average), and the capacity of the gear to be used to load the logs should be determined;

- .2 using the above information, a pre-stow plan should be developed to allow the maximum utilization of the available space; the better the under-deck stowage, the more cargo can safely be carried on deck;
  - .3 the cargo spaces and related equipment should be examined to determine whether the condition of structural members, framework and equipment could affect the safe carriage of the log cargo. Any damage discovered during such an examination should be repaired in an appropriate manner;
  - .4 the bilge suction screens should be examined to ensure they are clean, effective and properly maintained to prevent the admission of debris into the bilge piping system;
  - .5 the bilge wells should be free of extraneous material such as wood bark and wood splinters;
  - .6 the capacity of the bilge pumping system should be ascertained. A properly maintained and operating system is crucial for the safety of the ship. A portable dewatering pump of sufficient capacity and lift will provide additional insurance against a clogged bilge line;
  - .7 side sparring, pipe guards, etc., designed to protect internal hull members should be in place; and
  - .8 the master should ensure that the opening and closing of any high ballast dump valves are properly recorded in the ship's log. Given that such high ballast tanks are necessary to facilitate loading and bearing in mind regulation 22(1) of the International Convention on Load Lines, 1966, which requires a screw-down valve fitted in gravity overboard drain lines, the master should ensure that the dump valves are properly monitored to preclude the accidental readmission of water into these tanks. Leaving these tanks open to the sea, could lead to an apparently inexplicable list, a shift of deck cargo, and potential capsizes.
- 3 During loading operations:
- .1 each lift of logs should be hoisted aboard the ship in close proximity to the ship to minimize any potential swinging of the lift;
  - .2 the possibility of damage to the ship and the safety of those who work in the cargo spaces should be considered. The logs should not be swinging when lowered into the space. The hatch coaming should be used, as necessary, to eliminate any swinging of the logs by gently resting the load against the inside of the coaming, or on it, prior to lowering;
  - .3 the logs should be stowed compactly, thereby eliminating as many voids as is practicable. The amount and the vertical centre of gravity of the logs stowed under deck will govern the amount of cargo that can be safely stowed on deck. In considering this principle, the heaviest logs should be loaded first into the cargo spaces;
  - .4 logs should generally be stowed compactly in a fore and aft direction, with the longer lengths towards the forward and aft areas of the space. If there is a void in the space between the fore and aft lengths, it should be filled with logs stowed athwartships so as to fill in the void across the breadth of the spaces as completely as the length of the logs permits;
  - .5 where the logs in the spaces can only be stowed fore and aft in one length, any remaining void forward or aft should be filled with logs stowed athwartships so as to fill in the void across the breadth of the space as completely as the length of the logs permits;
  - .6 athwartship voids should be filled tier by tier as loading progresses;
  - .7 butt ends of the logs should be alternately reversed to achieve a more level stowage, except where excess sheer on the inner bottom is encountered;
  - .8 extreme pyramiding of logs should be avoided to the greatest extent possible. If the breadth of the space is greater than the breadth of the hatch opening, pyramiding may be avoided by sliding fore and aft loaded logs into the ends of the port and starboard sides of the space. This sliding of logs into the ends of the port and starboard sides of the space should

- commence early in the loading process (after reaching a height of approximately 2 m above the inner bottom) and should continue throughout the loading process;
- .9 it may be necessary to use loose tackle to manoeuvre heavy logs into the under-deck areas clear of the hatchways. Blocks, purchases and other loose tackle should be attached to suitably reinforced fixtures such as eyebolts or padeyes provided for this purpose. However, if this procedure is followed, care should be taken to avoid overloading the gear;
  - .10 a careful watch by ship's personnel should be maintained throughout the loading to ensure no structural damage occurs. Any damage which affects the seaworthiness of the ship should be repaired;
  - .11 when the logs are stowed to a height of about 1 m below the forward or aft athwartship hatch coaming, the size of the lift of logs should be reduced to facilitate stowing of the remaining area; and
  - .12 logs in the hatch coaming area should be stowed as compactly as possible to maximum capacity.
- 4 After loading, the ship should be thoroughly examined to ascertain its structural condition. Bilges should be sounded to verify the ship's watertight integrity.
- 5 During the voyage:
- .1 the ship's heeling angle and rolling period should be checked, in a seaway, on a regular basis;
  - .2 wedges, wastes, hammers and portable pump, if provided, should be stored in an easily accessible place; and
  - .3 the master or a responsible officer should ensure that it is safe to enter an enclosed cargo space by:
    - .3.1 ensuring that the space has been thoroughly ventilated by natural or mechanical means;
    - .3.2 testing the atmosphere of the space at different levels for oxygen deficiency and harmful vapour where suitable instruments are available; and
    - .3.3 requiring self-contained breathing apparatus to be worn by all persons entering the space where there is any doubt as to the adequacy of ventilation or testing before entry.

## Annex 12

### Safe stowage and securing of unit loads

#### 1 INTRODUCTION

Unit load for the purposes of this annex means that a number of packages are either:

- .1 placed or stacked, and secured by strapping, shrink-wrapping or other suitable means, on a load board such as a pallet; or
- .2 placed in a protective outer packaging such as a pallet box; or
- .3 permanently secured together in a sling.

*Note:* A single large package such as a portable tank or receptacle, intermediate bulk container or freight container is excluded from the recommendations of this annex.



## 2 CARGO INFORMATION

The master should be provided with at least the following information:

- .1 the total number of unit loads and commodity to be loaded;
- .2 the type of strapping or wrapping used;
- .3 the dimensions of a unit load in metres; and
- .4 the gross mass of a unit load in kilogrammes.

## 3 RECOMMENDATIONS

3.1 The cargo spaces of the ship in which unit loads will be stowed should be clean, dry and free from oil and grease.

3.2 The decks, including the tank top, should be flush all over.

3.3 The cargo spaces should preferably be of a rectangular shape, horizontally and vertically. Cargo spaces of another shape in forward holds or in 'tweendecks should be transformed into a rectangular shape both athwartships and longitudinally by the use of suitable timber (figure 1).

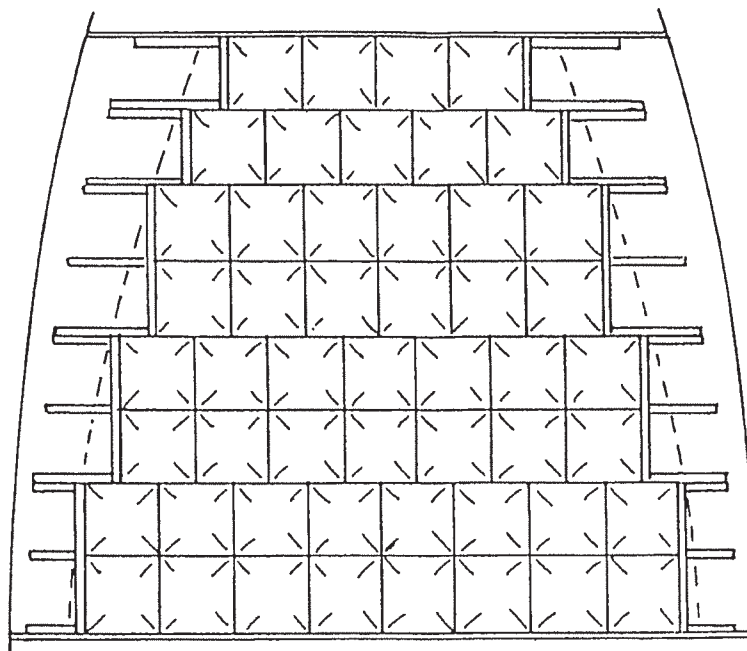


Figure 1 – Stowage and chocking of unit loads in a tapered stowage area (view from top)

## 4 STOWAGE

4.1 The unit loads should be stowed in such a way that securing, if needed, can be performed on all sides of the stow.

4.2 The unit loads should be stowed without any void space between the loads and the ship's sides to prevent the unit loads from racking.

4.3 When unit loads have to be stowed on top of each other, attention should be paid to the strength of pallets and the shape and the condition of the unit loads.

4.4 Precautions should be taken when unit loads are mechanically handled to avoid damaging the unit loads.

## **5 SECURING**

Block stowage should be ensured and no void space be left between the unit loads.

## **6 SECURING WHEN STOWED ATHWARTSHIPS**

**6.1** When unit loads are stowed in a lower hold or in a 'tween-deck against a bulkhead from side to side, gratings or plywood sheets should be positioned vertically against the stack of the unit loads. Wire lashings should be fitted from side to side keeping the gratings or plywood sheets tight against the stow.

**6.2** Additionally, lashing wires can be fitted at different spacing from the bulkhead over the stow to the horizontally placed wire lashings in order to further tighten the stow.

## **7 STOWAGE IN A WING OF A CARGO SPACE AND FREE AT TWO SIDES**

When unit loads are stowed in the forward or after end of a cargo space and the possibility of shifting in two directions exists, gratings or plywood sheets should be positioned vertically to the stack faces of the unit loads of the non-secured sides of the stow. Wire lashings should be taken around the stow from the wings to the bulkhead. Where the wires can damage the unit loads (particularly on the corners of the stow), gratings or plywood sheets should be positioned in such a way that no damage can occur on corners.

## **8 STOWAGE FREE AT THREE SIDES**

When unit loads are stowed against the ship's sides in such a way that shifting is possible from three sides, gratings or plywood sheets should be positioned vertically against the stack faces of the unit loads. Special attention should be paid to the corners of the stow to prevent damage to the unit loads by the wire lashings. Wire lashing at different heights should tighten the stow together with the gratings or plywood sheets at the sides (figure 2).

## **9 GENERAL**

**9.1** Instead of gratings or plywood sheets, other possibilities are the use of aluminium stanchions or battens of sufficient strength.

**9.2** During the voyage the wire lashings should be regularly inspected and slack wires should be retightened if necessary. In particular, after rough weather, wire lashings should be checked and retightened if necessary.

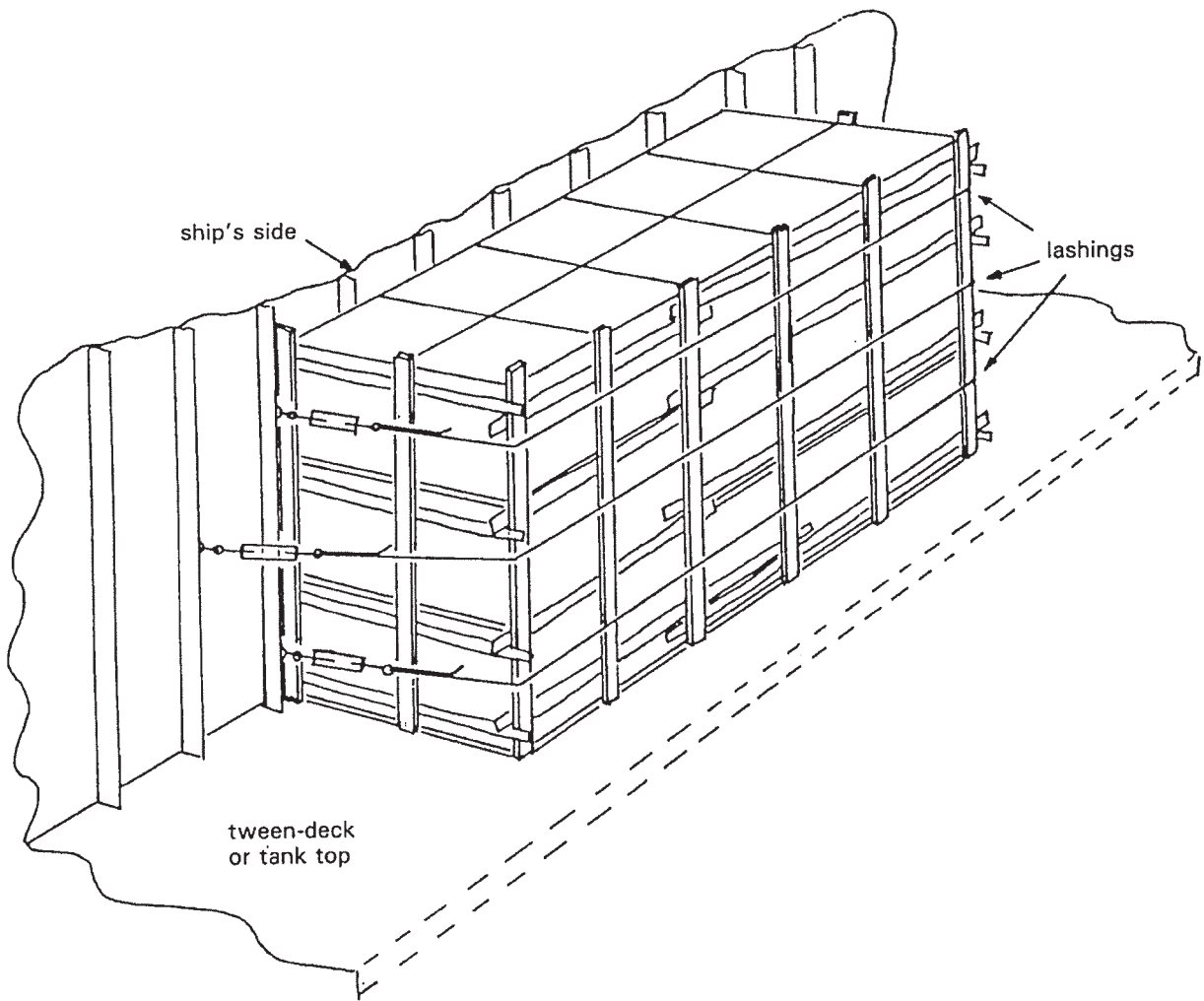


Figure 2 – Securing of units stowed at the ship's side

**第 56/2014 號行政長官公告**

中央人民政府命令在澳門特別行政區執行聯合國安全理事會關於阿富汗局勢的第1267(1999)號、第1333(2000)號及第1390(2002)號決議，以及關於恐怖活動對國際和平與安全構成威脅的第1989(2011)號及第2083(2012)號決議；

聯合國安全理事會關於基地組織及有關個人和實體的第1267(1999)號和第1989(2011)號決議所設委員會(基地組織制裁委員會)於二零一四年六月二十六日更新了基地組織制裁名單；

基於此，行政長官根據澳門特別行政區第3/1999號法律第六條第一款的規定，命令公佈聯合國安全理事會基地組織制裁委員會於二零一四年六月二十六日更新的基地組織制裁名單的英文原文及其葡文譯本。

二零一四年九月十二日發佈。

行政長官 崔世安

**Aviso do Chefe do Executivo n.º 56/2014**

Considerando que o Governo Popular Central ordenou a aplicação na Região Administrativa Especial de Macau das Resoluções do Conselho de Segurança das Nações Unidas n.º 1267 (1999), n.º 1333 (2000) e n.º 1390 (2002), relativas à situação no Afeganistão, e das Resoluções n.º 1989 (2011) e n.º 2083 (2012), relativas às ameaças à paz e segurança internacionais causadas por actos terroristas;

Considerando ainda que, em 26 de Junho de 2014, o Comité do Conselho de Segurança das Nações Unidas estabelecido pelas Resoluções n.º 1267 (1999) e n.º 1989 (2011) relativo à Al-Qaida e a pessoas singulares e entidades a esta associadas (Comité de Sanções contra a Al-Qaida) procedeu à actualização da lista de sanções contra a Al-Qaida;

O Chefe do Executivo manda publicar, nos termos do n.º 1 do artigo 6.º da Lei n.º 3/1999 da Região Administrativa Especial de Macau, a lista de sanções contra a Al-Qaida, tal como actualizada à data de 26 de Junho de 2014 pelo Comité de Sanções contra a Al-Qaida do Conselho de Segurança das Nações Unidas, na sua versão original em língua inglesa, acompanhada da tradução para a língua portuguesa.

Promulgado em 12 de Setembro de 2014.

O Chefe do Executivo, *Chui Sai On*.

**The List established and maintained by  
the Al-Qaida Sanctions Committee with respect to individuals, groups,  
undertakings and other entities associated with Al-Qaida**

Last updated on: 26 June 2014

**Composition of the List**

The list consists of the two sections specified below:

**A. Individuals associated with Al Qaida**

**B. Entities and other groups and undertakings associated with Al Qaida**

Information about de-listing may be found on the Committee's website at: <http://www.un.org/sc/committees/1267/delisting.shtml>.

**A. Individuals associated with Al-Qaida**

**QI.A.12.01. Name:** 1: NASHWAN 2: ABD AL-RAZZAQ 3: ABD AL-BAQI 4: na

**Name (original script):** نشوان عبد الرزاق عبد الباقي

**Title:** na **Designation:** na **DOB:** 1961 **POB:** Mosul, Iraq **Good quality a.k.a.:** a) Abdal Al-Hadi Al-Iraqi b) Abd Al-Hadi Al-Iraqi **Low quality a.k.a.:** Abu Abdallah **Nationality:** Iraqi **Passport no.:** na **National identification no.:** na **Address:** na **Listed on:** 6 Oct. 2001 (amended on 14 May 2007, 27 Jul. 2007) **Other information:** Al-Qaida senior official. In custody of the United States of America, as of July 2007. Review pursuant to Security Council resolution 1822 (2008) was concluded on 15 Jun. 2010.

**QI.A.157.04. Name:** 1: ABD AL WAHAB 2: ABD AL HAFIZ 3: na 4: na

**Name (original script):** عبد الوهاب عبد الحافظ

**Title:** na **Designation:** na **DOB:** 7 Sep. 1967 **POB:** Algiers, Algeria **Good quality a.k.a.:** a) Ferdjani Mouloud b) Rabah Di Roma c) Abdel Wahab Abdelhafid, born 30 Oct. 1968 in Algeria **Low quality a.k.a.:** a) Mourad b) Said **Nationality:** na **Passport no.:** na **National identification no.:** na **Address:** na **Listed on:** 17 Mar. 2004 (amended on 26 Nov. 2004, 9 Sep. 2005, 21 Dec. 2007, 25 Jan. 2010, 16 May 2011) **Other information:** Sentenced in absentia in Italy to 5 years of imprisonment. Arrest warrant issued by the Italian authorities on 19 May 2005. Considered a fugitive from justice by the Italian authorities as of Jun. 2009. Review pursuant to Security Council resolution 1822 (2008) was concluded on 30 Jul. 2009.

**QI.A.255.08. Name:** 1: ADIL 2: MUHAMMAD 3: MAHMUD 4: ABD AL-KHALIQ

**Name (original script):** عادل محمد محمود عبد الخالق

**Title:** na **Designation:** na **DOB:** 2 Mar. 1984 **POB:** Bahrain **Good quality a.k.a.:** a) Adel Mohamed Mahmoud Abdul Khaliq b) Adel Mohamed Mahmood Abdul Khaled **Low quality a.k.a.:** na **Nationality:** Bahraini **Passport no.:** Bahraini passport number 1632207 **National identification no.:** na **Address:** na **Listed on:** 10 Oct. 2008 (amended on 24 Jul. 2013) **Other information:** Has acted on behalf of and provided financial, material and logistical support to Al-Qaida (listed under permanent reference number QE.A.4.01.) and the Libyan Islamic Fighting Group (LIFG, listed under permanent reference number QE.L.11.01.), including provision of electrical parts used in explosives, computers, GPS devices and military equipment. Trained by Al-Qaida in small arms and explosives in South Asia and fought with Al-Qaida in Afghanistan. Arrested in the United Arab Emirates (UAE) in Jan. 2007 on charges of being a member of Al-Qaida and the LIFG. Following his conviction in the UAE in late 2007, he was transferred to Bahrain in early 2008 to serve out the remainder of his sentence.

**QI.A.289.11. Name:** 1: SAID JAN 2: 'ABD AL-SALAM 3: na 4: na

**Name (original script):** سعيد جان عبد السلام

**Title:** na **Designation:** na **DOB:** a) 5 Feb. 1981 b) 1 Jan. 1972 **POB:** na **Good quality a.k.a.:** a) Sa'id Jan 'Abd-al-Salam b) Dilawar Khan Zain Khan, born 1 Jan. 1972 **Low quality a.k.a.:** a) Qazi 'Abdallah b) Qazi Abdullah c) Ibrahim Walid d) Qasi Sa'id Jan e) Said Jhan f) Farhan Khan g) Aziz Cairo h) Nangiali **Nationality:** Afghan **Passport**

**no.:** a) Afghan passport number OR801168, issued on 28 Feb. 2006, expires 27 Feb. 2011, under name Said Jan 'Abd al-Salam b) Pakistani passport number 4117921, issued on 9 Sep. 2008, expires 9 Sep. 2013, issued under name Dilawar Khan Zain Khan **National identification no.:** Kuwaiti Civil Identification number 281020505755, under name Said Jan 'Abd al-Salam **Address:** na **Listed on:** 9 Feb. 2011 **Other information:** In approximately 2005, ran a "basic training" camp for Al-Qaida (QE.A.4.01.) in Pakistan.

**QI.A.192.05. Name:** 1: ABD ALLAH 2: MOHAMED 3: RAGAB 4: ABDEL RAHMAN

**Name (original script):** عبد الله محمد رجب عبد الرحمن

**Title:** na **Designation:** na **DOB:** 3 Nov. 1957 **POB:** Kafr Al-Shaykh, Egypt **Good quality a.k.a.:** a) Abu Al-Khayr b) Ahmad Hasan c) Abu Jihad **Low quality a.k.a.:** na **Nationality:** Egyptian **Passport no.:** na **National identification no.:** na **Address:** Believed to be in Pakistan or Afghanistan **Listed on:** 29 Sep. 2005 (amended on 13 Dec. 2011) **Other information:** Member of Egyptian Islamic Jihad (QE.A.3.01). Review pursuant to Security Council resolution 1822 (2008) was concluded on 1 Jun. 2010.

**QI.A.54.01. Name:** 1: MAJEED 2: ABDUL CHAUDHRY 3: na 4: na

**Title:** na **Designation:** na **DOB:** a) 15 Apr. 1939 b) 1938 **POB:** na **Good quality a.k.a.:** a) Majeed, Abdul b) Majeed Chaudhry Abdul c) Majid, Abdul **Low quality a.k.a.:** na **Nationality:** Pakistani **Passport no.:** na **National identification no.:** na **Address:** na **Listed on:** 24 Dec. 2001 **Other information:** Review pursuant to Security Council resolution 1822 (2008) was concluded on 1 Jun. 2010.

**QI.A.109.03. Name:** 1: ZULKIFLI 2: ABDUL HIR 3: na 4: na

**Title:** na **Designation:** na **DOB:** a) 5 Jan. 1966 b) 5 Oct. 1966 **POB:** Muar Johor, Malaysia **Good quality a.k.a.:** a) Musa Abdul Hir b) Muslimin Abdulmotalib c) Salim Alombra d) Armand Escalante e) Normina Hashim f) Henri Lawi g) Hendri Lawi h) Norhana Mohamad i) Omar Salem j) Ahmad Shobirin k) Bin Abdul Hir Zulkifli **Low quality a.k.a.:** a) Abdulhir Bin Hir b) Hassan c) Hogalu d) Hugalul e) Lagu f) Marwan **Nationality:** Malaysian **Passport no.:** A 11263265 **National identification no.:** a) 660105-01-5297 b) driver license number D2161572 issued in California, USA **Address:** Seksyen 17, Shah Alam, Selangor, Malaysia **Listed on:** 9 Sep. 2003 (amended on 25 Jan. 2010) **Other information:** The Court for the Northern District of California, USA, issued a warrant of arrest for him on 1 Aug. 2007. At large in the Southern Philippines. Mother's name is Minah Bintu Aogist Abd Aziz. Review pursuant to Security Council resolution 1822 (2008) was concluded on 19 Jun. 2009.

**QI.A.200.05. Name:** 1: DIEMAN 2: ABDULKADIR IZZAT 3: na 4: na

**Name (original script):** ديمنان عبد القادر عزت

**Title:** na **Designation:** na **DOB:** 4 Jul. 1965 **POB:** Kirkuk, Iraq **Good quality a.k.a.:** Deiman Alhasenben Ali Aljabbari, born 4 Jul. 1965 **Low quality a.k.a.:** na **Nationality:** Iraqi **Passport no.:** German travel document ("Reiseausweis") A 0141062 (revoked as at Sep. 2012) **National identification no.:** na **Address:** Bavaria, Germany. **Listed on:** 6 Dec. 2005 (amended on 25 Jan. 2010, 13 Dec. 2011, 15 Nov. 2012) **Other information:** Review pursuant to Security Council resolution 1822 (2008) was concluded on 30 Jul. 2009.

**QI.A.18.01. Name:** 1: ABDUL MANAN AGHA 2: na 3: na 4: na

**Name (original script):** عبد المنان آغا

**Title:** Haji **Designation:** na **DOB:** na **POB:** na **Good quality a.k.a.:** Abdul Manan **Low quality a.k.a.:** a) Abdul Man'am Saiyid b) Saiyid Abd al-Man (formerly listed as) **Nationality:** na **Passport no.:** na **National identification no.:** na **Address:** na **Listed on:** 17 Oct. 2001 (amended on 26 Jun. 2013) **Other information:** Pakistan. Review pursuant to Security Council resolution 1822 (2008) was concluded on 15 Jun. 2010.

**QI.A.295.11. Name:** 1: MUHAMMAD 2: JIBRIL 3: ABDUL RAHMAN 4: na

**Title:** na **Designation:** na **DOB:** a) 28 May 1984 b) 3 Dec. 1979 c) 3 March 1979 (from false passport) **POB:** East Lombok, West Nusa Tenggara, Indonesia **Good quality a.k.a.:** a) Mohammad Jibril Abdurrahman b) Muhammad Jibriel Abdul Rahman c) Mohammad Jibriel Abdurrahman d) Muhamad Ricky Ardhan, born 8 Aug. 1980, (appears in false Indonesian passport number S335026) e) Muhammad Ricky Ardhan bin Muhammad Iqbal f) Muhammad Ricky Ardhan bin Abu Jibril **Low quality a.k.a.:** a) Muhammad Yunus b) Heris Syah **Nationality:** Indonesian **Passport no.:** na **National identification no.:** a) Indonesian national identity card number 3219222002.2181558 b) Identification number 2181558 **Address:** a) Jalan M. Saidi RT 010 RW 001 Pesanggrahan, South Petukangan, South Jakarta, Indonesia b) Jalan Nakula of Witana Harja Complex Block C, Pamulang, Banten, Indonesia **Listed on:** 12 Aug.

2011 **Other information:** Senior member of Jemaah Islamiyah (QE.J.92.02.) directly involved in obtaining funding for terrorist attacks. Sentenced in Indonesia to five years in prison on 29 Jun. 2010. Father's name is Mohamad Iqbal Abdurrahman (QI.A.86.03.).

**QI.A.229.07. Name:** 1: ALY 2: SOLIMAN 3: MASSOUD 4: ABDUL SAYED

**Title:** na **Designation:** na **DOB:** 1969 **POB:** Tripoli, Libyan Arab Jamahiriya **Good quality a.k.a.:** a) Ibn El Qaim b) Mohamed Osman **Low quality a.k.a.:** Adam **Nationality:** Libyan **Passport no.:** Libyan Passport No. 96/184442

**National identification no.:** na **Address:** Ghout El Shamal, Tripoli, Libyan Arab Jamahiriya **Listed on:** 8 Jun. 2007 (amended on 13 Dec. 2011) **Other information:** Member of Libyan Islamic Fighting Group (QE.L.11.01). Review pursuant to Security Council resolution 1822 (2008) was concluded on 24 Nov. 2009.

**QI.A.86.03. Name:** 1: MOHAMAD 2: IQBAL 3: ABDURRAHMAN 4: na

**Title:** na **Designation:** na **DOB:** a) 17 Aug. 1957 b) 17 Aug. 1958 **POB:** a) Korleko-Lombok Timur, Indonesia b) Tirpas-Selong Village, East Lombok, Indonesia **Good quality a.k.a.:** a) Rahman, Mohamad Iqbal b) A Rahman, Mohamad Iqbal c) Abu Jibril Abdurrahman d) Fikiruddin Muqti e) Fihiruddin Muqti f) Abdul Rahman, Mohamad Iqbal **Low quality a.k.a.:** na **Nationality:** Indonesian **Passport no.:** na **National identification no.:** 3603251708570001

**Address:** Jalan Nakula, Komplek Witana Harja III Blok C 106-107, Tangerang, Indonesia **Listed on:** 28 Jan. 2003 (amended on 26 Nov. 2004, 16 May 2011, 10 Jun. 2011) **Other information:** Review pursuant to Security Council resolution 1822 (2008) was concluded on 8 Jun. 2010.

**QI.A.309.12. Name:** 1: ABDUR REHMAN 2: na 3: na 4: na

**Name (original script):** عبد الرحمن

**Title:** na **Designation:** na **DOB:** 3 Oct. 1965 **POB:** Mirpur Khas, Pakistan **Good quality a.k.a.:** a) Abdul Rehman; Abd Ur-Rehman; Abdur Rahman b) عبد الرحمن السيندي, (Abdul Rehman Sindhi; Abdul Rehman al-Sindhi; Abdur Rahman al-Sindhi; Abdur Rehman Sindhi; Abdurahman Sindhi) c) عبدالله السندي (Abdullah Sindhi) **Low quality a.k.a.:** Abdur Rehman Muhammad Yamin **Nationality:** Pakistani **Passport no.:** Pakistani passport number CV9157521, issued on 8 Sep. 2008, expires on 7 Sep. 2013 **National identification no.:** Pakistani national identity card number 44103-5251752-5 **Address:** Karachi, Pakistan **Listed on:** 14 Mar. 2012 **Other information:** Has provided facilitation and financial services to Al-Qaida (QE.A.4.01.). Associated with Harakatul Jihad Islami (QE.H.130.10.), Jaish-I-Mohammed (QE.J.19.01.), and Al-Akhtar Trust International (QE.A.121.05.).

**QI.A.285.10. Name:** 1: MUHAMMAD 2: ABDALLAH 3: HASAN 4: ABU-AL-KHAYR

**Name (original script):** محمد عبدالله حسن أبو الخير

**Title:** na **Designation:** na **DOB:** a) 19 Jun. 1975 b) 18 Jun. 1975 **POB:** Al-Madinah al-Munawwarah, Saudi Arabia **Good quality a.k.a.:** a) Mohammed Abdullah Hassan Abul-Khair b) Muhammad Abdallah Hasan Abu-al-Khayr c) Muhammad Bin- 'Abdullah Bin-Hamd Abu-al-Khayr d) Abdallah al-Halabi e) 'Abdallah al-Halabi al-Madani f) Abdallah al-Makki g) Abdallah el-Halabi h) Abdallah al-Halabi i) Abu 'Abdallah al-Halabi **Low quality a.k.a.:** a) Abu Abdallah al-Madani b) Muhannad al-Jaddawi **Nationality:** Saudi Arabian **Passport no.:** Saudi Arabian passport number A741097, issued on 14 Nov. 1995 and expired on 19 Sep. 2000. **National identification no.:** Saudi Arabian national identification number 1006010555 **Address:** na **Listed on:** 24 Aug. 2010 **Other information:** Appears on a 2009 list of 85 persons wanted by the government of Saudi Arabia.

**QI.A.130.03. Name:** 1: MOHAMED 2: GHASSAN 3: ALI 4: ABU DHESS

**Name (original script):** محمد غسان علي أبو دهيس

**Title:** na **Designation:** na **DOB:** 22 Jun. 1966 **POB:** Irbid, Jordan **Good quality a.k.a.:** a) Yaser Hassan, born 1 Feb. 1966 in Hasmija b) Abu Ali Abu Mohamed Dhees, born 1 Feb. 1966 in Hasmija c) Mohamed Abu Dhees, born 1 Feb. 1966 in Hashmija, Iraq **Low quality a.k.a.:** na **Nationality:** Jordanian **Passport no.:** a) German International travel document no.: 0695982, expired b) German International travel document no.: 0785146, valid until 8 Apr. 2004 **National identification no.:** na **Address:** Germany **Listed on:** 23 Sep. 2003 (amended on 23 Dec. 2008, 11 Mar. 2010, 10 Jun. 2011) **Other information:** Father's name is Mouhemad Saleh Hassan. Mother's name is Mariam Hassan, neé Chalabia. Associated with Ismail Abdallah Sbaitan Shalabi (QI.S.128.03.), Djamel Moustfa (QI.M.129.03.) and Aschraf Al-Dagma (QI.A.132.03.). Review pursuant to Security Council resolution 1822 (2008) was concluded on 19 Jan. 2010.

**QI.A.224.06. Name:** 1: ISMAIL 2: MOHAMED 3: ISMAIL 4: ABU SHAWEEESH

**Name (original script):** اسماعيل محمد اسماعيل أبو شوايش

**Title:** na **Designation:** na **DOB:** 10 Mar. 1977 **POB:** Benghazi, Libyan Arab Jamahiriya **Good quality a.k.a.:** na **Low quality a.k.a.:** na **Nationality:** Stateless Palestinian **Passport no.:** a) Egyptian travel document, passport number 0003684 b) Egyptian passport number 981354 **National identification no.:** na **Address:** Germany **Listed on:** 2 Aug. 2006 (amended on 11 Mar. 2010, 13 Dec. 2011) **Other information:** In detention since 22 May 2005. His brother is Yasser Mohamed Ismail Abu Shaweesh (QI.A.201.05). Review pursuant to Security Council resolution 1822 (2008) was concluded on 24 Nov. 2009.

**QI.A.201.05. Name:** 1: YASSER 2: MOHAMED 3: ISMAIL 4: ABU SHAWEEESH

**Name (original script):** ياسر محمد اسماعيل أبو شوايش

**Title:** na **Designation:** na **DOB:** 20 Nov. 1973 **POB:** Benghazi, Libyan Arab Jamahiriya **Good quality a.k.a.:** Yasser Mohamed Abou Shaweesh **Low quality a.k.a.:** na **Nationality:** Stateless Palestinian **Passport no.:** a) Passport substitute C00071659 issued by the Federal Republic of Germany b) Egyptian passport 0003213 c) Egyptian travel document 939254 d) Egyptian passport 981358 **National identification no.:** na **Address:** In prison in Germany **Listed on:** 6 Dec. 2005 (amended on 7 Sep. 2007, 11 Mar. 2010, 28 Sep. 2010, 13 Dec. 2011) **Other information:** Sentenced to 5 years and 6 months imprisonment in Germany on 6 Dec. 2007. His brother is Ismail Mohamed Ismail Abu Shaweesh (QI.A.224.06.). Review pursuant to Security Council resolution 1822 (2008) was concluded on 24 Nov. 2009.

**QI.A.304.12. Name:** 1: MOCHAMMAD 2: ACHWAN 3: na 4: na

**Title:** na **Designation:** na **DOB:** a) 4 May 1948 b) 4 May 1946 **POB:** Tulungagung, Indonesia **Good quality a.k.a.:** a) Muhammad Achwan b) Muhammad Akhwan c) Mochtar Achwan d) Mochtar Akhwan e) Mochtar Akwan **Low quality a.k.a.:** na **Nationality:** Indonesian **Passport no.:** na **National identification no.:** Indonesian National Identity Card Number 3573010405480001 under name Mochammad Achwan **Address:** Jalan Ir. H. Juanda 8/10, RT/RW 002/001, Jodipan, Blimbing, Malang, Indonesia **Listed on:** 12 Mar. 2012 **Other information:** Acting emir of Jemmah Anshorut Tauhid (JAT) (QE.J.133.12.). Associated with Abu Bakar Ba'asyir (QI.B.217.06), Abdul Rahim Ba'aysir (QI.B.293.11) and Jemaah Islamiyah (QE.J.92.02.).

**QI.A.316.13 Name:** 1: IYAD 2: AG GHALI 3: na 4: na

**Name (original script):** ابياد اغ غالي

**Title:** na **Designation:** na **DOB:** 1954 **POB:** Abeibara, Kidal Region, Mali **Good quality a.k.a.:** na **Low quality a.k.a.:** na **Nationality:** Malian **Passport no.:** na **National identification no.:** na **Address:** Mali **Listed on:** 25 Feb. 2013 **Other information:** Founder and leader of Ansar Eddine. Member of the Tuareg Ifogas tribe. Linked to the Organization of Al-Qaida in the Islamic Maghreb (QE.T.14.01.) and Mouvement pour l'Unification et le Jihad en Afrique de l'Ouest (MUJAO) (QE.M.134.12.).

**QI.A.203.05. Name:** 1: FARHAD 2: KANABI 3: AHMAD 4: na

**Name (original script):** فرهاد كنابي أحمد

**Title:** na **Designation:** na **DOB:** 1 Jul. 1971 **POB:** Arbil, Iraq **Good quality a.k.a.:** a) Kaua Omar Achmed b) Kawa Hamawandi (previously listed as) **Low quality a.k.a.:** na **Nationality:** Iraqi **Passport no.:** German travel document ("Reiseausweis") A 0139243 (revoked as at Sep. 2012) **National identification no.:** na **Address:** Iraq **Listed on:** 6 Dec. 2005 (amended on 31 Jul. 2006, 25 Jan. 2010, 13 Dec. 2011, 15 Nov. 2012) **Other information:** Released from custody in Germany on 10 Dec. 2010 and relocated to Iraq on 6 Dec. 2011. Review pursuant to Security Council resolution 1822 (2008) was concluded on 5 Oct. 2009.

**QI.A.226.06. Name:** 1: NAJMUDDIN 2: FARAJ 3: AHMAD 4: na

**Title:** na **Designation:** na **DOB:** a) 7 Jul. 1956 b) 17 Jun. 1963 **POB:** Oqlaqoo Sharbajer, Al-Sulaymaniyah Governorate, Iraq **Good quality a.k.a.:** a) Mullah Krekar b) Fateh Najm Eddine Farraj c) Faraj Ahmad Najmuddin **Low quality a.k.a.:** na **Nationality:** Iraqi **Passport no.:** na **National identification no.:** na **Address:** Heimdalsgate 36-V, 0578 Oslo, Norway **Listed on:** 7 Dec. 2006 **Other information:** Review pursuant to Security Council resolution 1822 (2008) was concluded on 20 May 2010.

**QI.A.237.08. Name:** 1: JABER 2: ABDALLAH 3: JABER 4: AHMAD AL-JALAHMAH

**Name (original script):** جابر عبد الله جابر أحمد الجلاهمة



**Title:** na **Designation:** na **DOB:** 24 Sep. 1959 **POB:** Al-Khitan area, Kuwait **Good quality a.k.a.:** a) Jaber Al-Jalamah b) Abu Muhammad Al-Jalamah c) Jabir Abdallah Jabir Ahmad Jalamah d) Jabir 'Abdallah Jabir Ahmad Al-Jalamah e) Jabir Al-Jalhami **Low quality a.k.a.:** a) Abdul-Ghani b) Abu Muhammad **Nationality:** Kuwaiti **Passport no.:** a) 101423404 b) Kuwaiti passport number 2541451, valid until 16 Feb. 2017 c) Kuwaiti passport number 002327881 **National identification no.:** Kuwaiti national identification number 259092401188 **Address:** Kuwait, (residence as at March 2009 and at December 2013) **Listed on:** 3 Jan. 2014 **Other information:** Previously listed between 16 Jan. 2008 and 3 Jan. 2014 (amended on 1 Jul. 2008, 23 Jul. 2008, 25 Jan. 2010). Review pursuant to Security Council resolution 1822 (2008) was concluded on 14 Sep. 2009.

**QI.A.14.01. Name:** 1: TARIQ 2: ANWAR 3: EL SAYED 4: AHMED

**Name (original script):** طارق أنور السيد احمد

**Title:** na **Designation:** na **DOB:** 15 Mar. 1963 **POB:** Alexandria, Egypt **Good quality a.k.a.:** a) Hamdi Ahmad Farag b) Amr Al-Fatih Fathi c) Tarek Anwar El Sayed Ahmad **Low quality a.k.a.:** na **Nationality:** Egyptian **Passport no.:** na **National identification no.:** na **Address:** na **Listed on:** 6 Oct. 2001 (amended on 26 Nov. 2004, 18 Jul. 2007, 16 May 2011) **Other information:** Reportedly deceased in October 2001. Review pursuant to Security Council resolution 1822 (2008) was concluded on 29 Jul. 2010.

**QI.A.193.05. Name:** 1: ZAKI 2: EZAT 3: ZAKI 4: AHMED

**Name (original script):** زكي عزت زكي احمد

**Title:** na **Designation:** na **DOB:** 21 Apr. 1960 **POB:** a) Sharqiyah, Egypt b) Zaqaziq, Egypt **Good quality a.k.a.:** a) Rifat Salim b) Abu Usama **Low quality a.k.a.:** na **Nationality:** Egyptian **Passport no.:** na **National identification no.:** na **Address:** May be on the Pakistani-Afghan border **Listed on:** 29 Sep. 2005 (amended on 13 Dec. 2011) **Other information:** Father's name is Ahmed Ezat Zaki. Member of Egyptian Islamic Jihad (QE.A.3.01). Review pursuant to Security Council resolution 1822 (2008) was concluded on 1 Jun. 2010.

**QI.A.161.04. Name:** 1: FARID 2: AIDER 3: na 4: na

**Name (original script):** فرید عيدر

**Title:** na **Designation:** na **DOB:** 12 Oct. 1964 **POB:** Algiers, Algeria **Good quality a.k.a.:** a) Achour Ali b) Terfi Farid **Low quality a.k.a.:** Abdallah **Nationality:** Algerian **Passport no.:** na **National identification no.:** na **Address:** na **Listed on:** 17 Mar. 2004 (amended on 26 Nov. 2004, 25 Jan. 2010, 16 May 2011) **Other information:** Italian Fiscal Code DRAFRD64R12Z301C. Sentenced in Italy in Mar. 2002 to 8 years of imprisonment. Arrest warrant issued by the Italian authorities on 16 Nov. 2007. Considered a fugitive from justice by the Italian authorities as of 14 Dec. 2007. Review pursuant to Security Council resolution 1822 (2008) was concluded on 30 Jul. 2009.

**QI.A.313.13 Name:** 1: DJAMEL 2: AKKACHA 3: na 4: na

**Name (original script):** عكاشة جمال

**Title:** na **Designation:** na **DOB:** 9 May 1978 **POB:** Rouiba, Algiers, Algeria **Good quality a.k.a.:** a) Yahia Abou el Hoummam b) Yahia Abou el Hammam **Low quality a.k.a.:** na **Nationality:** Algerian **Passport no.:** na **National identification no.:** na **Address:** Mali **Listed on:** 5 Feb. 2013 **Other information:** Father's name is Slimane. Mother's name is Akrouf Khadidja. Coordinator of groups associated with The Organisation of Al-Qaida in the Islamic Maghreb (QE.T.14.01.) in northern Mali.

**QI.A.91.03. Name:** 1: MOHAMED 2: AMINE 3: AKLI 4: na

**Name (original script):** محمد أمين اكلي

**Title:** na **Designation:** na **DOB:** 30 Mar. 1972 **POB:** Bordj el Kiffane, Algeria **Good quality a.k.a.:** a) Akli Amine Mohamed b) Killech Shamir c) Kali Sami **Low quality a.k.a.:** Elias **Nationality:** Algerian **Passport no.:** na **National identification no.:** na **Address:** Algeria **Listed on:** 25 Jun. 2003 (amended on 12 Apr. 2006, 17 Oct. 2007, 16 May 2011) **Other information:** Father's name is Lounes. Mother's name is Kadidja. Inadmissible to the Schengen area. Deported from Spain to Algeria in Aug. 2009. Review pursuant to Security Council resolution 1822 (2008) was concluded on 15 Jun. 2010.

**QI.A.236.08. Name:** 1: HAMID 2: ABDALLAH 3: AHMAD 4: AL-ALI

**Name (original script):** حامد عبد الله أحمد العلي

**Title:** na **Designation:** na **DOB:** 20 Jan. 1960 **POB:** Kuwait **Good quality a.k.a.:** a) Dr. Hamed Abdullah Al-Ali b)

Hamed Al-'Ali c) Hamed bin 'Abdallah Al-'Ali d) Hamid 'Abdallah Al-'Ali e) Hamid 'Abdallah Ahmad Al-'Ali f) Hamid bin Abdallah Ahmed Al-'Ali g) Hamid Abdallah Ahmed Al-'Ali **Low quality a.k.a.:** Abu Salim **Nationality:** Kuwaiti **Passport no.:** Kuwaiti passport number 1739010 issued in Kuwait, issued on 26 May 2003 and expired on 25 May 2008 **National identification no.:** na **Address:** Kuwait (residence as at Mar. 2009) **Listed on:** 16 Jan. 2008 (amended on 1 Jul. 2008, 23 Jul. 2008, 25 Jan. 2010) **Other information:** Review pursuant to Security Council resolution 1822 (2008) was concluded on 14 Sep. 2009.

**QI.A.92.03. Name:** 1: MEHREZ 2: BEN MAHMOUD 3: BEN SASSI 4: AL-AMDOUNI

**Name (original script):** محرز بن محمود بن ساسي العمدوني

**Title:** na **Designation:** na **DOB:** 18 Dec. 1969 **POB:** Asima-Tunis, Tunisia **Good quality a.k.a.:** a) Fabio Fusco, born 25 May 1968 in Naples, Italy b) Fabio Fusco, born 18 Dec. 1968 in Tunisia c) Fabio Fusco, born 25 May 1968 in Algeria d) Mohamed Hassan e) Meherez Hamdouni f) Amdouni Mehrez ben Tah, born 14 Jul. 1969 in Tunisia g) Meherez ben Ahdoud ben Amdouni **Low quality a.k.a.:** Abu Thale **Nationality:** Tunisian **Passport no.:** Tunisian passport number G737411, issued on 24 Oct. 1990, expired on 20 Sep. 1997 **National identification no.:** na **Address:** Italy **Listed on:** 25 Jun. 2003 (amended on 26 Nov. 2004, 20 Dec. 2005, 17 Oct. 2007, 16 Sep. 2008, 24 Mar. 2009, 12 Jul. 2010, 16 May 2011) **Other information:** Father's name is Mahmoud ben Sasi. Mother's name is Maryam bint al-Tijani. Inadmissible to the Schengen area. Review pursuant to Security Council resolution 1822 (2008) was concluded on 22 Apr. 2010.

**QI.A.60.02. Name:** 1: MOHAMED 2: BEN BELGACEM 3: BEN ABDALLAH 4: AL-AOUADI

**Name (original script):** محمد بن بلقاسم بن عبد الله العوادي

**Title:** na **Designation:** na **DOB:** 11 Dec. 1974 **POB:** Tunis, Tunisia **Good quality a.k.a.:** a) Aouadi, Mohamed Ben Belkacem b) Fathi Hannachi **Low quality a.k.a.:** na **Nationality:** Tunisian **Passport no.:** Tunisian passport number L 191609 issued on 28 Feb. 1996, expired on 27 Feb. 2001 **National identification no.:** 04643632 issued on 18 June 1999 **Address:** 50th Street, Number 23, Zehrouni, Tunis, Tunisia **Listed on:** 24 Apr. 2002 (amended on 10 Apr. 2003, 26 Nov. 2004, 9 Sep. 2005, 20 Dec. 2005, 31 Jul. 2006, 7 Jun. 2007, 23 Dec. 2010) **Other information:** Italian Fiscal Code: DAOMMD74T11Z352Z. Mother's name is Ourida Bint Mohamed. Deported from Italy to Tunisia on 1 Dec. 2004. Review pursuant to Security Council resolution 1822 (2008) was concluded on 22 Apr. 2010.

**QI.A.171.04. Name:** 1: AQEEL 2: ABDULAZIZ 3: AQEEL 4: AL-AQEEL

**Name (original script):** عقيل عبد العزيز عقيل العقيل

**Title:** na **Designation:** na **DOB:** 29 Apr. 1949 **POB:** Uneizah, Saudi Arabia **Good quality a.k.a.:** a) Aqeel Abdulaziz Al-Aqil b) Ageel Abdulaziz A. Alageel **Low quality a.k.a.:** na **Nationality:** Saudi Arabian **Passport no.:** a) Passport number C 1415363 - issued on 21 May 2000 (16/2/1421H) b) Passport number E 839024, issued on 3 Jan. 2004, expired on 8 Nov. 2008 **National identification no.:** na **Address:** Saudi Arabia (as at Apr. 2009) **Listed on:** 6 Jul. 2004 (amended on 23 Apr. 2007, 17 Jul. 2009, 13 Dec. 2011) **Other information:** In detention in Saudi Arabia as at Nov. 2010. Review pursuant to Security Council resolution 1822 (2008) was concluded on 19 Oct. 2009.

**QI.A.291.11. Name:** 1: IBRAHIM 2: HASSAN 3: TALI 4: AL-ASIRI

**Name (original script):** إبراهيم حسن طالع العسيري

**Title:** na **Designation:** na **DOB:** a) 19 Apr. 1982 b) 18 Apr. 1982 c) 24/06/1402 (Hijri Calendar) **POB:** Riyadh, Saudi Arabia **Good quality a.k.a.:** a) Ibrahim Hassan Tali Asiri (إبراهيم حسن طالع عسيري) b) Ibrahim Hasan Talea Aseeri c) Ibrahim Hassan al-Asiri d) Ibrahim Hasan Tali Asiri e) Ibrahim Hassan Tali Assiri f) Ibrahim Hasan Tali'A 'Asiri g) Ibrahim Hasan Tali al-'Asiri h) Ibrahim al-'Asiri i) Ibrahim Hassan Al Asiri **Low quality a.k.a.:** a) Abu Saleh b) Abosslah c) Abu-Salaah **Nationality:** Saudi Arabian **Passport no.:** Saudi Arabian passport number F654645, issued on 30 Apr. 2005, expired on 7 Mar. 2010. Issue date in Hijri Calendar 24/06/1426. Expiry date in Hijri Calendar 21/03/1431. **National identification no.:** Saudi Arabian civil identification number 1028745097 **Address:** Yemen **Listed on:** 24 Mar. 2011 (amended on 15 Apr. 2014) **Other information:** Operative and principal bomb maker of Al-Qaida in the Arabian Peninsula (AQAP) (QE.A.129.10.). Believed to be hiding in Yemen as at Mar. 2011. Wanted by Saudi Arabia. Also associated with Nasir 'abd-al-Karim 'Abdullah Al-Wahishi (QI.A.274.10.), Said Ali al-Shihri (QI.A.275.10.), Qasim Yahya Mahdi al-Rimi (QI.A.282.10.), and Anwar Nasser Abdulla Al-Aulaqi (QI.A.283.10.).

**QI.A.283.10. Name:** 1: ANWAR 2: NASSER 3: ABDULLA 4: AL-AULAQI

**Name (original script):** انور ناصر عبدالله العولقي

**Title:** na **Designation:** na **DOB:** a) 21 Apr. 1971 b) 22 Apr. 1971 **POB:** Las Cruces, New Mexico, United States of America **Good quality a.k.a.:** a) Anwar al-Aulaqi b) Anwar al-Awlaki c) Anwar al-Awlaqi d) Anwar Nasser Aulaqi e)

Anwar Nasser Abdullah Aulaqi f) Anwar Nasser Abdulla Aulaqi **Low quality a.k.a.:** na **Nationality:** a) United States of America b) Yemeni **Passport no.:** na **National identification no.:** na **Address:** na **Listed on:** 20 Jul. 2010 (amended on 30 Nov. 2011) **Other information:** Confirmed to have died on 30 Sep. 2011 in Yemen.

**QI.A.93.03. Name:** 1: CHIHEB 2: BEN MOHAMED 3: BEN MOKHTAR 4: AL-AYARI

**Name (original script):** شهاب بن محمد بن مختار العياري

**Title:** na **Designation:** na **DOB:** 19 Dec. 1965 **POB:** Tunis, Tunisia **Good quality a.k.a.:** a) Hichem Abu Hchem b) Ayari Chihbe c) Ayari Chied d) Adam Hussainy, born 19 Dec. 1965 in Greece **Low quality a.k.a.:** a) Hichem b) Abu Hichem c) Mokhtar **Nationality:** Tunisian **Passport no.:** Tunisian passport number L246084, issued on 10 June 1996, expired on 9 June 2001 **National identification no.:** na **Address:** Bardo, Tunis, Tunisia **Listed on:** 25 Jun. 2003 (amended on 20 Dec. 2005, 17 Oct. 2007, 10 Aug. 2009, 16 May 2011) **Other information:** Extradited from Italy to Tunisia on 13 Apr. 2006. Mother's name is Fatima al-Tumi. Inadmissible to the Schengen area. Review pursuant to Security Council resolution 1822 (2008) was concluded on 22 Apr. 2010.

**QI.A.138.03. Name:** 1: SAID 2: BEN ABDELHAKIM 3: BEN OMAR 4: AL-CHERIF

**Name (original script):** سعيد بن عبد الحكيم بن عمر الشريف

**Title:** na **Designation:** na **DOB:** 25 Jan. 1970 **POB:** Manzil Tmim, Tunisia **Good quality a.k.a.:** a) Cherif Said, born 25 Jan. 1970 in Tunisia b) Binhamoda Hokri, born 25 Jan. 1970 in Sosa, Tunisia c) Hcrif Ataf, born 25 Jan. 1971 in Solisse, Tunisia d) Bin Homoda Chokri, born 25 Jan. 1970 in Tunis, Tunisia e) Atef Cherif, born 12 Dec. 1973 in Algeria f) Sherif Ataf, born 12 Dec. 1973 in Aras, Algeria g) Ataf Cherif Said, born 12 Dec. 1973 in Tunis, Tunisia h) Cherif Said, born 25 Jan. 1970 in Tunis, Tunisia i) Cherif Said, born 12 Dec. 1973 in Algeria **Low quality a.k.a.:** a) Djallal b) Youcef c) Abou Salman d) Said Tmimi **Nationality:** Tunisian **Passport no.:** Tunisian passport number M307968, issued on 8 Sep. 2001, expires on 7 Sep. 2006 **National identification no.:** na **Address:** Corso Lodi 59, Milan, Italy **Listed on:** 12 Nov. 2003 (amended on 20 Dec. 2005, 21 Dec. 2007, 30 Jan. 2009, 16 May 2011) **Other information:** Mother's name is Radhiyah Makki. Sentenced to eight years and ten months of imprisonment for membership of a terrorist association by the Appeal Court of Milan, Italy, on 7 Feb. 2008. Sentence confirmed by the Italian Supreme Court on 15 Jan. 2009, which became definitive as of Feb. 2008. Subject to expulsion from Italy to Tunisia after serving the sentence. Review pursuant to Security Council resolution 1822 (2008) was concluded on 6 May 2010.

**QI.A.231.07. Name:** 1: SALEM 2: NOR ELDIN 3: AMOHAMED 4: AL-DABSKI

**Name (original script):** سالم نور الدين امحمد الدبيسكي

**Title:** na **Designation:** na **DOB:** 1963 **POB:** Tripoli, Libyan Arab Jamahiriya **Good quality a.k.a.:** a) Abu Al-Ward b) Abdullah Ragab **Low quality a.k.a.:** a) Abu Naim b) Abdallah al- Masri **Nationality:** Libyan **Passport no.:** a) Libyan passport number 1990/345751 b) Libyan passport number 345751 **National identification no.:** Libyan national identification number 220334 **Address:** Bab Ben Ghasheer, Tripoli, Libyan Arab Jamahiriya **Listed on:** 8 Jun. 2007 (amended on 13 Dec. 2011) **Other information:** Mother's name is Kalthoum Abdul Salam al-Shaftari. Senior member of Libyan Islamic Fighting Group (QE.L.11.01) and member of Al-Qaida (QE.A.4.01). Review pursuant to Security Council resolution 1822 (2008) was concluded on 24 Nov. 2009.

**QI.A.132.03. Name:** 1: ASCHRAF 2: AL-DAGMA 3: na 4: na

**Name (original script):** اشرف الدغمة

**Title:** na **Designation:** na **DOB:** 28 Apr. 1969 **POB:** Abasan, Gaza Strip, Palestinian Territories **Good quality a.k.a.:** Aschraf Al-Dagma, born 28 Apr. 1969 in Kannyouiz, Palestinian Territories **Low quality a.k.a.:** na **Nationality:** Unresolved/Palestinian origin **Passport no.:** Refugee travel document issued by Landratsamt Altenburger Land (Altenburg County Administration Office), Germany, dated 30 Apr. 2000 **National identification no.:** na **Address:** Germany **Listed on:** 23 Sep. 2003 (amended on 23 Dec. 2008, 11 Mar. 2010, 10 Jun. 2011) **Other information:** Associated with Ismail Abdallah Sbaitan Shalabi (QI.S.128.03.), Djamel Moustfa (QI.M.129.03.) and Mohamed Abu Dhess (QI.A.130.03.). Review pursuant to Security Council resolution 1822 (2008) was concluded on 19 Jan. 2010.

**QI.A.278.10. Name:** 1: MUTHANNA 2: HARITH 3: AL-DARI 4: na

**Name (original script):** مثنى حارث الضاري

**Title:** Doctor **Designation:** na **DOB:** 16 Jun. 1969 **POB:** Iraq **Good quality a.k.a.:** a) Dr. Muthanna Al Dari b) Muthana Harith Al Dari c) Muthanna Harith Sulayman Al-Dari d) Muthanna Harith Sulayman Al-Dhari e) Muthanna Hareth Al-Dhari f) Muthana Haris Al-Dhari g) Doctor Muthanna Harith Sulayman Al Dari Al-Zawba' h) Muthanna Harith Sulayman Al-Dari Al-Zobai i) Muthanna Harith Sulayman Al-Dari al-Zawba'i j) Muthanna Hareth al-Dari k) Muthana Haris al-Dari l)

Doctor Muthanna al-Dari m) Dr. Muthanna Harith al-Dari al-Zowbai **Low quality a.k.a.:** na **Nationality:** Iraqi **Passport no.:** na **National identification no.:** na **Address:** a) Amman, Jordan b) Khan Dari, Iraq (previous) c) Asas Village, Abu Ghurayb, Iraq (previous) d) Egypt (previous) **Listed on:** 25 Mar. 2010 **Other information:** Provided operational guidance financial support and other services to or in support of Al-Qaida in Iraq (QE.J.115.04.).

**QI.A.149.03. Name:** 1: NOUREDDINE 2: BEN ALI 3: BEN BELKASSEM 4: AL-DRISSI

**Name (original script):** نور الدين بن علي بن بلقاسم الدريسي

**Title:** na **Designation:** na **DOB:** 30 Apr. 1964 **POB:** Tunis, Tunisia **Good quality a.k.a.:** Drissi Nouredine **Low quality a.k.a.:** a) Abou Ali b) Faycal **Nationality:** Tunisian **Passport no.:** Tunisian passport number L851940, issued on 9 Sep. 1998, expired on 8 Sep. 2003 **National identification no.:** na **Address:** Via Plebiscito 3, Cermona, Italy **Listed on:** 12 Nov. 2003 (amended on 20 Dec. 2005, 31 Jul. 2006, 21 Dec. 2007, 16 May 2011) **Other information:** Under administrative control measure in Italy until 5 May 2010. Inadmissible to the Schengen area. Mother's name is Khadijah al-Drissi. Review pursuant to Security Council resolution 1822 (2008) was concluded on 22 Apr. 2010.

**QI.A.59.02. Name:** 1: KHALID 2: ABD AL-RAHMAN 3: HAMD 4: AL-FAWAZ

**Name (original script):** خالد عبد الرحمن حمد الفواز

**Title:** na **Designation:** na **DOB:** 24 Aug. 1962 **POB:** Kuwait **Good quality a.k.a.:** a) Al-Fawwaz, Khaled b) Al-Fawwaz, Khaled A. c) Al-Fawwaz, Khalid d) Al Fawwaz, Khalik e) Al-Fawwaz, Khaled f) Al Fawwaz, Khaled g) Khalid Abdulrahman H. Al Fawaz **Low quality a.k.a.:** na **Nationality:** Saudi Arabian **Passport no.:** Passport number 456682, issued on 6 Nov. 1990, expired on 13 Sep. 1995 **National identification no.:** na **Address:** London, United Kingdom **Listed on:** 24 Apr. 2002 (amended on 26 Nov. 2004, 23 Apr. 2007, 21 Oct. 2010) **Other information:** In custody in the United Kingdom as at October 2009. Review pursuant to Security Council resolution 1822 (2008) was concluded on 22 Apr. 2010.

**QI.A.228.06. Name:** 1: MOHAMMED 2: AL GHABRA 3: na 4: na

**Title:** na **Designation:** na **DOB:** 1 Jun. 1980 **POB:** Damascus, Syrian Arab Republic **Good quality a.k.a.:** na **Low quality a.k.a.:** na **Nationality:** British **Passport no.:** British passport number 094629366 **National identification no.:** na **Address:** East London, United Kingdom **Listed on:** 12 Dec. 2006 (amended on 13 Dec. 2011) **Other information:** Father's name is Mohamed Ayman Ghabra. Mother's name is Dalal. Review pursuant to Security Council resolution 1822 (2008) was concluded on 5 Oct. 2009.

**QI.A.292.11. Name:** 1: OTHMAN 2: AHMED 3: OTHMAN 4: AL-GHAMDI

**Name (original script):** عثمان أحمد عثمان الغامدي

**Title:** na **Designation:** na **DOB:** 27 May 1979 **POB:** Saudi Arabia **Good quality a.k.a.:** a) Othman al-Ghamdi, born 27 May 1979 in Saudi Arabia b) Uthman al-Ghamdi, born 27 May 1979 in Saudi Arabia c) Uthman al-Ghamidi, born 27 May 1979 in Saudi Arabia d) Othman bin Ahmed bin Othman Alghamdi e) Othman Ahmed Othman Al Omairah, born in 1973 in Shabwa, Yemen, nationality: Yemeni f) Uthman Ahmad Uthman al-Ghamdi g) Othman Ahmed Othman al-Omirah **Low quality a.k.a.:** a) Al Umairah al-Ghamdi b) Othman Bin Ahmed Bin Othman **Nationality:** Saudi Arabian **Passport no.:** na **National identification no.:** Saudi Arabian national identity card number 1089516791 **Address:** Yemen **Listed on:** 16 Jun. 2011 (amended on 15 Apr. 2014) **Other information:** Operational commander of Al-Qaida in the Arabian Peninsula (AQAP) (QE.A.129.10.). Has been involved in raising funds and stockpiling arms for AQAP operations and activities in Yemen. Known associate of Qasim Yahya Mahdi al-Rimi (QI.A.282.10.) and Fahd Mohammed Ahmed al-Quso (QI.A.288.10.). Father's name is Ahmed Othman Al Omirah.

**QI.A.160.04. Name:** 1: FETHI 2: BEN HASSEN 3: BEN SALEM 4: AL-HADDAD

**Name (original script):** فتحي بن حسن بن سالم الحداد

**Title:** na **Designation:** na **DOB:** a) 28 Jun. 1963 b) 28 Mar. 1963 **POB:** Tataouene, Tunisia **Good quality a.k.a.:** a) Fethi ben Assen Haddad b) Fathy Hassan al Haddad **Low quality a.k.a.:** na **Nationality:** Tunisian **Passport no.:** Tunisian passport number L183017, issued on 14 Feb. 1996, expired on 13 Feb. 2001 **National identification no.:** na **Address:** a) Number 184 Via Fulvio Testi – Cinisello Balsamo (MI), Italy b) Number 1 Via Porte Giove – Mortara (PV), Italy, (Domicile) **Listed on:** 17 Mar. 2004 (amended on 26 Nov. 2004, 20 Dec. 2005, 21 Dec. 2007, 25 Jan. 2010, 16 May 2011) **Other information:** Italian Fiscal Code: HDDFTH63H28Z352V. Review pursuant to Security Council resolution 1822 (2008) was concluded on 30 Jul. 2009.

**QI.A.140.03. Name:** 1: KAMAL 2: BEN MAOELDI 3: BEN HASSAN 4: AL-HAMRAOUI

**Name (original script):** كمال بن المولدي بن حسن الحمراوي

**Title:** na **Designation:** na **DOB:** 21 Oct. 1977 **POB:** Beja, Tunisia **Good quality a.k.a.:** a) Hamroui Kamel ben Mouldi b) Hamraoui Kamel, born 21 Nov. 1977 in Morocco, c) Hamraoui Kamel, born 21 Nov. 1977 in Tunisia d) Hamraoui Kamel, born 20 Oct. 1977 in Tunisia **Low quality a.k.a.:** a) Kamel b) Kimo **Nationality:** Tunisian **Passport no.:** Tunisian passport number P229856, issued on 1 Nov. 2002, expires on 31 Oct. 2007 **National identification no.:** na **Address:** a) Via Bertesi Number 27, Cremona, Italy b) Via Plebiscito Number 3, Cremona, Italy **Listed on:** 12 Nov. 2003 (amended on 20 Dec. 2005, 31 Jul. 2006, 21 Dec. 2007, 16 May 2011) **Other information:** Mother's name is Khamisah al-Kathiri. Subject to a decree of expulsion, suspended on 17 Apr. 2007 by the European Court of Human Rights. Re-arrested in Italy on 20 May 2008. Inadmissible to the Schengen area. Review pursuant to Security Council resolution 1822 (2008) was concluded on 6 May 2010.

**QI.A.254.08. Name:** 1: ABD AL-RAHMAN 2: MUHAMMAD 3: JAFFAR 4: 'ALI

**Name (original script):** عبد الرحمن محمد جعفر علي

**Title:** na **Designation:** na **DOB:** 15 Jan. 1968 **POB:** Muharraq, Bahrain **Good quality a.k.a.:** a) Abd al-Rahman Muhammad Jaffir b) Abd al-Rahman Muhammad Jafir 'Ali c) Abd al-Rahman Jaffir Ali d) Abdul Rahman Mohamed Jaffer Ali e) Abdulrahman Mohammad Jaffar **Low quality a.k.a.:** a) 'Ali Al-Khal b) Abu Muhammad Al-Khal **Nationality:** Bahraini **Passport no.:** na **National identification no.:** na **Address:** na **Listed on:** 10 Oct. 2008 **Other information:** Bahrain-based financier and facilitator for Al-Qaida (listed under permanent reference number QE.A.4.01). In Jan. 2008, convicted by the Bahraini High Criminal Court for financing terrorism, undergoing terrorist training, facilitating the travel of others to receive terrorist training abroad, and for membership in a terrorist organization. Released after Court verdict and completion of his sentence. Located in Bahrain (as of May 2008).

**QI.A.21.01. Name:** 1: AHMED 2: MOHAMMED 3: HAMED 4: ALI

**Name (original script):** احمد محمد حامد علي

**Title:** na **Designation:** na **DOB:** 13 Jan. 1967 **POB:** Badari, Asyout, Egypt **Good quality a.k.a.:** a) Abdurehman, Ahmed Mohammed b) Ahmed Hamed c) Ali, Ahmed Mohammed d) Ali, Hamed e) Hemed, Ahmed f) Shieb, Ahmed **Low quality a.k.a.:** a) Abu Fatima b) Abu Islam c) Abu Khadijah d) Ahmed The Egyptian e) Ahmed, Ahmed f) Al-Masri, Ahmad g) Al-Surir, Abu Islam h) Shuaib **Nationality:** Egyptian **Passport no.:** na **National identification no.:** na **Address:** na **Listed on:** 17 Oct. 2001 (amended on 2 Jul. 2007, 16 Dec. 2010) **Other information:** Afghanistan. Review pursuant to Security Council resolution 1822 (2008) was concluded on 15 Jun. 2010.

**QI.A.154.04. Name:** 1: SULAIMAN 2: JASSEM 3: SULAIMAN 4: ALI ABO GHAITH

**Name (original script):** سليمان جاسم سليمان علي أبو غيث

**Title:** na **Designation:** na **DOB:** 14 Dec. 1965 **POB:** Kuwait **Good quality a.k.a.:** na **Low quality a.k.a.:** Abo Ghaith **Nationality:** Kuwaiti citizenship withdrawn in 2002 **Passport no.:** Kuwaiti passport number 849594 issued in Kuwait, issued on 27 Nov. 1998 and expired on 24 Jun. 2003 **National identification no.:** na **Address:** na **Listed on:** 16 Jan. 2004 (amended on 23 Jul. 2008, 10 Jun. 2011) **Other information:** Left Kuwait for Pakistan in June 2001. Review pursuant to Security Council resolution 1822 (2008) was concluded on 21 Jun. 2010.

**QI.A.299.11. Name:** 1: IBRAHIM 2: AWWAD 3: IBRAHIM 4: ALI AL-BADRI AL-SAMARRAI

**Name (original script):** إبراهيم عواد إبراهيم علي البدرى السامرائي

**Title:** Dr. **Designation:** na **DOB:** 1971 **POB:** Iraq **Good quality a.k.a.:** Dr. Ibrahim 'Awwad Ibrahim 'Ali al-Badri al-Samarrai', born in 1971 in Samarra, Iraq (Ibrahim 'Awad Ibrahim al-Badri al-Samarrai; Ibrahim 'Awad Ibrahim al-Samarrai'; Dr. Ibrahim Awwad Ibrahim al-Samarrai) **Low quality a.k.a.:** a) أبو دعاء (Abu Du'a; Abu Duaa'), (prominently known by this nom de guerre) b) Dr. Ibrahim c) أبو بكر البغدادي الحسيني القرشي (Abu Bakr al-Baghdadi al-Husayni al-Quraishi; Abu Bakr al-Baghdadi **Nationality:** Iraqi **Passport no.:** na **National identification no.:** na **Address:** Iraq **Listed on:** 5 Oct. 2011 (amended on 20 Jul. 2012) **Other information:** Leader of Al-Qaida in Iraq (QE.J.115.04.) (AQI). Currently based in Iraq. Responsible for managing and directing AQI large scale operations.

**QI.M.296.11. Name:** 1: MATI UR-REHMAN 2: ALI MUHAMMAD 3: na 4: na

**Name (original script):** مطيع الرحمن على محمد

**Title:** na **Designation:** na **DOB:** Approximately 1977 **POB:** Chak number 36/DNB, Rajkan, Madina Colony, Bahawalpur District, Punjab Province, Pakistan **Good quality a.k.a.:** a) Mati-ur Rehman b) Mati ur Rehman c) Matiuir Rahman d)

Matiur Rehman e) Matti al-Rehman f) Abdul Samad g) Samad Sial h) Abdul Samad Sial i) Ustad Talha j) Qari Mushtaq **Low quality a.k.a.:** a) Tariq b) Hussain **Nationality:** Pakistani **Passport no.:** na **National identification no.:** na **Address:** na **Listed on:** 22 Aug. 2011 (amended on 10 May 2012, 17 Oct. 2013) **Other information:** Physical description: 5 feet 2 inches; 157,4 cm. Name of father: Ali Muhammad. Mati ur-Rehman is the chief operational commander of Lashkar i Jhangvi (LJ) (QE.L.96.03.). Associated with Harakat-ul Jihad Islami (QE.H.130.10).

**QI.A.194.05. Name:** 1: MOHAMMED 2: AHMED 3: SHAWKI 4: AL ISLAMBOLLY

**Name (original script):** محمد احمد شوقي الاسلامبولي

**Title:** na **Designation:** na **DOB:** 21 Jan. 1957 **POB:** El-Minya, Qena, Egypt **Good quality a.k.a.:** a) Abu Khalid b) Abu Ja'far c) Mohamed El Islambouli **Low quality a.k.a.:** na **Nationality:** Egyptian **Passport no.:** na **National identification no.:** na **Address:** Believed to be in Pakistan or Afghanistan **Listed on:** 29 Sep. 2005 (amended on 13 Dec. 2011) **Other information:** Father's name is Shawki al-Islambolly. Member of Egyptian Islamic Jihad (QE.A.3.01). Review pursuant to Security Council resolution 1822 (2008) was concluded on 1 Jun. 2010.

**QI.A.176.04. Name:** 1: IMAD 2: BEN BECHIR 3: BEN HAMDA 4: AL-JAMMALI

**Name (original script):** عماد بن البشير بن حمدا الجمالي

**Title:** na **Designation:** na **DOB:** 25 Jan. 1968 **POB:** Manzal Tmim, Nabul, Tunisia **Good quality a.k.a.:** na **Low quality a.k.a.:** na **Nationality:** Tunisian **Passport no.:** Tunisian passport number K693812, issued on 23 Apr. 1999, expired on 22 Apr. 2004 **National identification no.:** na **Address:** 4 Qistantiniyah Street, Manzal Tmim, Nabul, Tunisia (home address) **Listed on:** 23 Jun. 2004 (amended on 20 Dec. 2005, 31 Jul. 2006, 17 Oct. 2007, 13 Dec. 2011) **Other information:** Italian Fiscal Code: JMM MDI 68A25 Z352D. In detention in Tunis (Tunisia) as at Dec. 2009. Mother's name is Jamilah. Italian Judicial Authorities have issued a warrant of arrest against him, which had not been executed as of Sep. 2007. Review pursuant to Security Council resolution 1822 (2008) was concluded on 9 Apr. 2010.

**QI.A.317.13. Name:** 1: ABU MOHAMMED 2: AL-JAWLANI 3: na 4: na

**Name (original script):** أبو محمد الجولاني

**Title:** na **Designation:** na **DOB:** Between 1975 and 1979 **POB:** Syria **Good quality a.k.a.:** Abu Mohamed al-Jawlani, Abu Muhammad al-Jawlani, Abu Mohammed al-Julani, Abu Mohammed al-Golani, Abu Muhammad al-Golani, Abu Muhammad Aljawlani, Muhammad al-Jawlani (transliterations of original script name) **Low quality a.k.a.:** شيخ الفاتح، الفاتح، (transliterations: Shaykh al-Fatih; Al Fatih) (Translation: The Conqueror) (Nom de guerre) **Nationality:** Syrian **Passport no.:** na **National identification no.:** na **Address:** Active in Syria as at Jun. 2013. **Listed on:** 24 Jul. 2013 (amended on 2 Jun. 2014) **Other information:** Since Jan. 2012, he is the Leader of Al-Nusrah Front for the People of the Levant (QE.A.137.14), a Syria-based group listed in May 2014, and previously listed as an alias of Al-Qaida in Iraq (AQI)(QE.J.115.04.) between 30 May 2013 and 13 May 2014. Associated with Ibrahim Awwad Ibrahim Ali Al-Badri Al-Samarrai (QI.A.299.11.) and Aiman Muhammed Rabi al-Zawahiri (QI.A.6.01.).

**QI.A.58.02. Name:** 1: ABU BAKR 2: AL-JAZIRI 3: na 4: na

**Name (original script):** أبو بكر الجزائري

**Title:** na **Designation:** na **DOB:** na **POB:** na **Good quality a.k.a.:** Yasir Al-Jazari **Low quality a.k.a.:** na **Nationality:** a) Algerian b) Palestinian **Passport no.:** na **National identification no.:** na **Address:** na **Listed on:** 11 Jan. 2002 (amended on 18 Jul. 2007, 1 Feb. 2008, 16 May 2011) **Other information:** Finance chief of the Afghan Support Committee (ASC) (QE.A.69.02.). Al-Qaida (QE.A.4.01.) facilitator and communication expert. Believed to be in Algeria as at Apr. 2010. Review pursuant to Security Council resolution 1822 (2008) was concluded on 21 Jun. 2010.

**QI.A.71.02. Name:** 1: RIADH 2: BEN BELKASSEM 3: BEN MOHAMED 4: AL-JELASSI

**Name (original script):** رياض بن بلقاسم بن محمد الجلاصي

**Title:** na **Designation:** na **DOB:** 15 Dec. 1970 **POB:** Al-Mohamedia, Tunisia **Good quality a.k.a.:** na **Low quality a.k.a.:** na **Nationality:** Tunisian **Passport no.:** Tunisian passport number L276046, issued on 1 Jul. 1996, expired on 30 Jun. 2001 **National identification no.:** na **Address:** Italy **Listed on:** 3 Sep. 2002 (amended on 20 Dec. 2005, 31 Jul. 2006, 10 Aug. 2009, 23 Dec. 2010) **Other information:** Mother's name is Reem Al-Askari. Member of Tunisian Combatant Group (QE.T.90.02). Review pursuant to Security Council resolution 1822 (2008) was concluded on 21 Apr. 2010.

**QI.A.101.03. Name:** 1: FAOUZI 2: BEN MOHAMED 3: BEN AHMED 4: AL-JENDOUBI

**Name (original script):** فوزي بن محمد بن أحمد الجندوبي

**Title:** na **Designation:** na **DOB:** 30 Jan. 1966 **POB:** Tunis, Tunisia **Good quality a.k.a.:** Jendoubi Faouzi, born 30 Jan. 1966 in Morocco **Low quality a.k.a.:** a) Said b) Samir **Nationality:** Tunisian **Passport no.:** Tunisian passport number K459698, issued on 6 Mar. 1999, expired on 5 Mar. 2004 **National identification no.:** na **Address:** na **Listed on:** 25 Jun. 2003 (amended on 20 Dec. 2005, 31 Jul. 2006, 17 Oct. 2007, 16 May 2011) **Other information:** Mother's name is Um Hani al-Tujani. Inadmissible to the Schengen area. Reported untraceable by the Italian authorities since June 2002. Review pursuant to Security Council resolution 1822 (2008) was concluded on 22 Apr. 2010.

**QI.A.318.13 Name:** 1: MUHAMMAD 2: JAMAL 3: ABD-AL RAHIM AHMAD 4: AL-KASHIF

**Name (original script):** محمد جمال عبدالرحيم أحمد الكاشف

**Title:** na **Designation:** na **DOB:** a) 1 Jan. 1964 b) 1 Feb. 1964 **POB:** Cairo, Egypt **Good quality a.k.a.:** a) Muhammad Jamal Abdo Al-Kashif b) Muhammad Jamal Abdo Al Kashef c) Muhammad Jamal Abd-Al Rahim Ahmad Al-Kashif d) Muhammad Jamal Abd-Al Rahim Al-Kashif e) Muhammad Jamal Abdu f) Muhammad Jamal **Low quality a.k.a.:** a) Muhammad Jamal Abu Ahmad (nom de guerre) b) Abu Ahmad (nom de guerre) c) Abu Jamal (nom de guerre) d) Muhammad Gamal Abu Ahmed e) Mohammad Jamal Abdo Ahmed (nom de guerre) f) Muhammad Jamal Abduh (nom de guerre) g) Muhammad Jamal Ahmad Abdu (nom de guerre) h) Riyadh (nom de guerre) **Nationality:** Egyptian **Passport no.:** a) Egyptian passport number 6487, issued 30 Jan. 1986, under name Muhammad Jamal Abdu b) Egyptian passport issued in 1993, under name Muhammad Jamal Abd-Al Rahim Ahmad Al-Kashif c) Yemeni passport number 388181, under name Muhammad Jamal Abd-Al Rahim Al-Kashif **National identification no.:** na **Address:** Egypt **Listed on:** 21 Oct. 2013 **Other information:** Trained in Afghanistan in the late 1980s with Al-Qaida (QE.A.4.01) to make bombs. Former top military commander of the Egyptian Islamic Jihad (QE.A.3.01). Since 2011, established Muhammad Jamal Network (MJN) (QE.M.136.13) and terrorist training camps in Egypt and Libya. Conducted MJN's terrorist activities with support from Al-Qaida in the Arabian Peninsula (AQAP) (QE.A.129.10). Reported to be involved in the attack on the United States Mission in Benghazi, Libya, on 11 Sep. 2012. Headed Nasr City terrorist cell in Egypt in 2012. Linked to Aiman al-Zawahiri (QI.A.6.01) and the leadership of AQAP and the Organization of Al-Qaida in the Islamic Maghreb (AQIM) (QE.T.14.01). Arrested and imprisoned multiple times by Egyptian authorities since ca. 2000. Released in 2011 but re-arrested by Egyptian authorities in Nov. 2012. Imprisoned in Egypt pending trial as of Sep. 2013. Wife's name is Samah 'Ali Al-Dahabani (Yemeni national).

**QI.A.233.07. Name:** 1: FAHD 2: MUHAMMAD 3: 'ABD AL-'AZIZ 4: AL-KHASHIBAN

**Name (original script):** فهد محمد عبد العزيز الخشيبان

**Title:** na **Designation:** na **DOB:** 16 Oct. 1966 **POB:** Oneiza, Saudi Arabia **Good quality a.k.a.:** a) Fahad H. A. Khashayban b) Fahad H. A. Kheshayban c) Fahad Mohammad Abdulaziz Alkhashiban d) Fahad H. A. al-Khashiban e) Fahad H. A. Kheshayban f) Fahad H. A. al-Khosiban g) Fahad H. A. Khasiban h) Fahd Muhammad 'Abd Al-'Aziz al-Khashayban i) Fahd Muhammad 'Abd al-'Aziz al-Khushayban j) Fahad al-Khashiban k) Fahd Khushayban l) Fahad Muhammad A. al-Khoshiban m) Fahad Mohammad A. al-Khoshiban **Low quality a.k.a.:** a) Shaykh Abu Thabit b) Abu Thabit c) Shaykh Thabet d) Abdur Abu Rahman e) Abu Abdur Rahman **Nationality:** Saudi Arabian **Passport no.:** Saudi Arabian passport number G477835, issued on 26 Jun. 2006, expired on 3 May 2011 **National identification no.:** na **Address:** Saudi Arabia **Listed on:** 9 Oct. 2007 (amended on 20 Feb. 2008, 13 Dec. 2011) **Other information:** Involved in the financing of and otherwise provided assistance to the Abu Sayyaf Group (QE.A.1.01.). Review pursuant to Security Council resolution 1822 (2008) was concluded on 14 Sep. 2009.

**QI.A.170.04. Name:** 1: HACENE 2: ALLANE 3: na 4: na

**Name (original script):** حسن علاني

**Title:** na **Designation:** na **DOB:** 17 Jan. 1941 **POB:** Médéa, Algeria **Good quality a.k.a.:** a) Hassan the Old b) Al Sheikh Abdelhay c) Boulahia d) Abu al-Foutouh e) Cheib Ahcéne **Low quality a.k.a.:** na **Nationality:** Algerian **Passport no.:** na **National identification no.:** na **Address:** na **Listed on:** 3 May 2004 (amended on 12 Apr. 2006, 7 Apr. 2008, 13 Dec. 2011) **Other information:** Confirmed to have died on 16 Apr. 2004 in northern Niger. Review pursuant to Security Council resolution 1822 (2008) was concluded on 27 Jul. 2010.

**QI.A.177.04. Name:** 1: HABIB 2: BEN 3: AHMED 4: AL-LOUBIRI

**Name (original script):** حبيب بن أحمد اللوبيري

**Title:** na **Designation:** na **DOB:** 17 Nov. 1961 **POB:** Manzal Tmim, Nabul, Tunisia **Good quality a.k.a.:** Al-Habib ben Ahmad ben al-Tayib al-Lubiri **Low quality a.k.a.:** na **Nationality:** Tunisian **Passport no.:** Tunisian passport number

M788439, issued on 20 Oct. 2001, expires on 19 Oct. 2006 **National identification no.:** na **Address:** Al-Damus, Manzal Tmim, Nabul, Tunisia (habitual residence) **Listed on:** 23 Jun. 2004 (amended on 20 Dec. 2005, 17 Oct. 2007, 10 Aug. 2009, 13 Dec. 2011) **Other information:** Italian Fiscal Code: LBR HBB 61S17 Z352F. In detention in Tunisia as at Dec. 2009. Mother's name is Fatima bint al-Mukhtar. Review pursuant to Security Council resolution 1822 (2008) was concluded on 9 Apr. 2010.

**QI.A.74.02. Name:** 1: TAREK 2: BEN HABIB 3: BEN AL-TOUMI 4: AL-MAAROUFI

**Name (original script):** طارق بن الحبيب بن التومي المعروف

**Title:** na **Designation:** na **DOB:** 23 Nov. 1965 **POB:** Ghardimaou, Tunisia **Good quality a.k.a.:** a) Abu Ismail b) Abou Ismail el Jendoubi c) Abou Ismail Al Djoundoubi **Low quality a.k.a.:** na **Nationality:** Tunisian **Passport no.:** Tunisian passport number E590976, issued on 19 Jun. 1987 expired on 18 Jun. 1992 **National identification no.:** na **Address:** Rue Léon Théodore Number 107/1, 1090 Jette, Brussels, Belgium **Listed on:** 3 Sep. 2002 (amended on 26 Nov. 2004, 20 Dec. 2005, 31 Jul. 2006, 3 Jul. 2007, 10 Aug. 2009, 25 Jan. 2010, 23 Dec. 2010) **Other information:** Belgian nationality withdrawn on 26 Jan. 2009. In detention in Nivelles, Belgium, as of Oct. 2010. Review pursuant to Security Council resolution 1822 (2008) was concluded on 8 Jun. 2010.

**QI.A.320.13. Name:** 1: ABD-AL-HAMID 2: AL-MASLI 3: na 4: na

**Name (original script):** عبد الحميد المصلي

**Title:** na **Designation:** na **DOB:** 1976 **POB:** a) Darnah, Libya b) Danar, Libya **Good quality a.k.a.:** a) Abd-al-Hamid Muhammad Abd-al-Hamid Al-Masli b) Abd-al-Hamid Musalli c) Hamid Masli **Low quality a.k.a.:** a) Hamza al-Darnawi b) Hamzah al-Darnawi c) Hamza Darnawi d) Hamzah Darnawi e) Hamzah Dirnawi f) Hamza Darnavi g) Hamza al-Darnavi h) Abdullah Darnawi i) Abu-Hamzah al-Darnawi **Nationality:** Libyan **Passport no.:** na **National identification no.:** na **Address:** Reportedly located in Waziristan, Federally Administered Tribal Areas, Pakistan. **Listed on:** 26 Nov. 2013 **Other information:** Leader and trainer of an Al-Qaida electronics and explosives workshop producing improvised explosive device components.

**QI.A.276.10. Name:** 1: AKRAM 2: TURKI 3: HISHAN 4: AL-MAZIDIH

**Name (original script):** أكرم تركي هاشم المزيده

**Title:** na **Designation:** na **DOB:** a) 1974 b) 1975 **POB:** na **Good quality a.k.a.:** Akram Turki Al-Hishan **Low quality a.k.a.:** a) Abu Jarrah b) Abu Akram **Nationality:** na **Passport no.:** na **National identification no.:** na **Address:** Zabadani, Syrian Arab Republic **Listed on:** 11 Mar. 2010 **Other information:** Other possible date of birth: 1979. He is a cousin of Ghazy Fezza Hishan Al Mazidih (QI.A.277.10).

**QI.A.277.10. Name:** 1: GHAZY 2: FEZZA 3: HISHAN 4: AL-MAZIDIH

**Name (original script):** غازي فيزا هاشم المزيده

**Title:** na **Designation:** na **DOB:** a) 1974 b) 1975 **POB:** na **Good quality a.k.a.:** a) Ghazy Fezzaa Hishan b) Mushari Abd Aziz Saleh Shlash **Low quality a.k.a.:** a) Abu Faysal b) Abu Ghazzy **Nationality:** na **Passport no.:** na **National identification no.:** na **Address:** Zabadani, Syrian Arab Republic **Listed on:** 11 Mar. 2010 **Other information:** He is a cousin of Akram Turki Hishan Al Mazidih (QI.A.276.10).

**QI.T.76.02. Name:** 1: ISAM 2: ALI 3: MOHAMED 4: ALOUCHE

**Name (original script):** عصام علي محمد علوش

**Title:** na **Designation:** na **DOB:** a) 1972 b) 21 Mar. 1974 **POB:** Baghdad, Iraq **Good quality a.k.a.:** Mansour Thaer, born 21 Mar. 1974 in Baghdad, Iraq **Low quality a.k.a.:** na **Nationality:** Jordanian **Passport no.:** na **National identification no.:** na **Address:** na **Listed on:** 3 Sep. 2002 (amended on 18 Aug. 2006, 30 Jan. 2009) **Other information:** Was deported from Germany to Jordan in Feb. 2005. Review pursuant to Security Council resolution 1822 (2008) was concluded on 21 Jun. 2010.

**QI.A.273.09. Name:** 1: FAZEEL-A-TUL 2: SHAYKH ABU MOHAMMED 3: AMEEN 4: AL-PESHAWARI

**Title:** na **Designation:** na **DOB:** a) Approximately 1967 b) Approximately 1961 c) Approximately 1973 **POB:** Shunkrai village, Sarkani District, Konar Province, Afghanistan **Good quality a.k.a.:** a) Shaykh Aminullah b) Sheik Aminullah c) Abu Mohammad Aminullah Peshawari d) Abu Mohammad Amin Bishawri e) Abu Mohammad Shaykh Aminullah Al-Bishauri f) Shaykh Abu Mohammed Ameen al-Peshawari g) Shaykh Aminullah Al-Peshawari **Low quality a.k.a.:** na **Nationality:** Afghan **Passport no.:** na **National identification no.:** na **Address:** Ganj District, Peshawar,



Pakistan **Listed on:** 29 Jun. 2009 (amended on 24 Jul. 2013) **Other information:** Associated with Al-Qaida (QE.A.4.01.). Head of Ganj madrasa, a.k.a. Madrasa Jamia Taleemul Quran wal Hadith, a.k.a. Madrasa Taleemul Quran wal Sunnah, located at the Ganj Gate, Phandu Road, Peshawar, Pakistan.

**QI.A.282.10. Name:** 1: QASIM 2: YAHYA 3: MAHDI 4: AL-RIMI

**Name (original script):** قاسم يحيى مهدي الريمي

**Title:** na **Designation:** na **DOB:** 5 Jun. 1978 **POB:** Sanaa, Yemen **Good quality a.k.a.:** a) Qasim Al-Rimi b) Qasim al-Raymi c) Qassim al-Raymi d) Qasim al-Rami **Low quality a.k.a.:** a) Qasim Yahya Mahdi 'Abd al-Rimi b) Abu Hurayah al-Sana'ai c) Abu 'Ammar **Nationality:** Yemeni **Passport no.:** Yemeni passport number 00344994, issued on 3 Jul. 1999 **National identification no.:** na **Address:** Yemen **Listed on:** 11 May 2010 (amended on 15 Apr. 2014) **Other information:** na

**QI.A.23.01. Name:** 1: NAZIH 2: ABDUL HAMED 3: NABIH 4: AL-RUQAI'I

**Name (original script):** نزيه عبد الحميد نبيه الراجعي

**Title:** na **Designation:** na **DOB:** a) 30 Mar. 1964 b) 14 May 1964 **POB:** Tripoli, Libyan Arab Jamahiriya **Good quality a.k.a.:** a) Anas Al-Liby b) Anas Al-Sibai c) Nazih Abdul Hamed Al-Raghie **Low quality a.k.a.:** na **Nationality:** Libyan **Passport no.:** 621570 **National identification no.:** 200310/I **Address:** Al Nawafaliyyin, Jarraba Street, Taqsim Al Zuruq, Tripoli, Libyan Arab Jamahiriya **Listed on:** 17 Oct. 2001 (amended on 31 Jul. 2006, 16 Dec. 2010) **Other information:** Review pursuant to Security Council resolution 1822 (2008) was concluded on 21 Jun. 2010.

**QI.A.275.10. Name:** 1: SAID 2: ALI 3: AL-SHIHRI 4: na

**Name (original script):** سعيد علي الشهري

**Title:** na **Designation:** na **DOB:** 12 Sep. 1973 **POB:** Riyadh, Saudi Arabia **Good quality a.k.a.:** a) Sa'id Ali Jabir al-Kathim al-Shihri b) Said Ali Al Shahri c) Said Ali Jaber Al Khasaam Al Shahri d) Said Ali Jaber Al Khassam **Low quality a.k.a.:** a) Abu-Sayyaf b) Abu-Sufyan al-Azidi c) Abu-Sayyaf al-Shihri d) Abu Sufian Kadhhaab Matrook e) Salah f) Salah Abu Sufyan g) Salah al-Din h) Abu Osama i) Abu Sulaiman j) Nur al-Din Afghani Azibk k) Alahhaddm l) Akhdam m) Abu Sufian Al Azadi n) Abu Asmaa **Nationality:** Saudi Arabian **Passport no.:** Saudi Arabian passport number C102432, issued on 22 Apr. 2000, expired on 26 Feb. 2005. Issue date in Hijri Calendar 17/01/1421. Expiry date in Hijri Calendar 17/01/1426. **National identification no.:** Saudi Arabian national identification number 1008168450 **Address:** na **Listed on:** 19 Jan. 2010 **Other information:** Since Jan. 2009, deputy to Nasir 'abd-al-Karim 'Abdullah al-Wahishi (QI.A.274.10.), leader of Al-Qaida in the Arabian Peninsula (QE.A.129.10.) operating in Yemen and Saudi Arabia. Associated with senior Al-Qaida (QE.A.4.01.) leadership. Was in custody of the United States of America between 2001-2007, detainee number 372. Fugitive in Saudi Arabia among the 85 most wanted persons. Located in Yemen as at Jan. 2010.

**QI.A.253.08. Name:** 1: KHALIFA 2: MUHAMMAD 3: TURKI 4: AL-SUBAIY

**Name (original script):** خليفة محمد تركي السبيعي

**Title:** na **Designation:** na **DOB:** 1 Jan. 1965 **POB:** Doha, Qatar **Good quality a.k.a.:** a) Khalifa Mohd Turki Alsubaie b) Khalifa Mohd Turki al-Subaie c) Khalifa Al-Subayy d) Khalifa Turki bin Muhammad bin al-Suayy **Low quality a.k.a.:** na **Nationality:** Qatari **Passport no.:** Qatari passport number 00685868 issued in Doha on 5 Feb. 2006 and expiring on 4 Feb. 2011 **National identification no.:** Qatari identity card number 26563400140 **Address:** Doha, Qatar **Listed on:** 10 Oct. 2008 (amended on 25 Jan. 2010, 15 Nov. 2012) **Other information:** Qatar-based terrorist financier and facilitator who has provided financial support to, and acted on behalf of, the senior leadership of Al-Qaida (QE.A.4.01.), including moving recruits to Al-Qaida training camps in South Asia. In Jan. 2008, convicted in absentia by the Bahraini High Criminal Court for financing terrorism, undergoing terrorist training, facilitating the travel of others to receive terrorist training abroad, and for membership in a terrorist organization. Arrested in Qatar in Mar. 2008. Served his sentence in Qatar and has been released from detention. Mother's name is Hamdah Ahmad Haidoos.

**QI.A.234.07. Name:** 1: ABDUL RAHIM 2: na 3: na 4: AL-TALHI

**Name (original script):** عبد الرحيم حماد أحمد الطلحي

**Title:** na **Designation:** na **DOB:** 8 Dec. 1961 **POB:** Al-Shefa, Al-Taif, Saudi Arabia **Good quality a.k.a.:** a) 'Abdul-Rahim Hammad al-Talhi b) Abd' Al-Rahim Hamad al-Tahi c) Abdulrheem Hammad A Altalhi d) Abe Al-Rahim al-Talahi e) Abd Al-Rahim Al Tahli f) 'Abd al-Rahim al-Talhi g) Abdulrahim Al Tahi h) Abdulrahim al-Talji i) 'Abd-Al-Rahim al Talji j) Abdul Rahim Hammad Ahmad Al-Talhi **Low quality a.k.a.:** a) Abdul Rahim b) Abu Al Bara'a Al Naji c) Shuwayb Junayd **Nationality:** Saudi Arabian **Passport no.:** Saudi Arabian passport number F275043, issued on 29 May 2004,

expired 5 Apr. 2009 **National identification no.:** na **Address:** Buraydah, Saudi Arabia **Listed on:** 9 Oct. 2007 (amended on 20 Feb. 2008, 13 Dec. 2011) **Other information:** Involved in the financing of, arms supply to and otherwise provided assistance to the Abu Sayyaf Group (QE.A.1.01.). Review pursuant to Security Council resolution 1822 (2008) was concluded on 14 Sep. 2009.

**QI.A.77.02. Name:** 1: AL-AZHAR 2: BEN MOHAMMED 3: BEN EL-ABED 4: AL-TLILI

**Name (original script):** الأزهر بن محمد بن العابد التليلي

**Title:** na **Designation:** na **DOB:** 26 Mar. 1969 **POB:** Feriana, Al-Kasrain, Tunisia **Good quality a.k.a.:** Lazar Ben Mohammed Tlili **Low quality a.k.a.:** na **Nationality:** Tunisian **Passport no.:** Tunisian passport number M 351140, expired on 16 Jun. 2005 **National identification no.:** na **Address:** Via Carlo Porta n. 97, Legnano, Italy **Listed on:** 3 Sep. 2002 (amended on 20 Dec. 2005, 31 Jul. 2006, 7 Jun. 2007, 28 Jul. 2008, 23 Dec. 2010) **Other information:** Italian Fiscal Code: TLLLHR69C26Z352G. Extradited from France to Italy on 6 Sep. 2006. Released from prison in Italy on 15 Jan. 2007. Sentenced in absentia in Tunisia to twenty years of imprisonment. Mother's name is Essayda Bint Salih Al-Tlili. Review pursuant to Security Council resolution 1822 (2008) was concluded on 21 Apr. 2010.

**QI.A.151.03. Name:** 1: MOURAD 2: BEN ALI 3: BEN AL-BASHEER 4: AL-TRABELSI

**Name (original script):** مراد بن علي بن البشير الطرابلسي

**Title:** na **Designation:** na **DOB:** 20 May 1969 **POB:** Manzil Tmim, Tunisia **Good quality a.k.a.:** a) Aboue Chiba Brahim, born 2 Sep. 1966 in Libya b) Arouri Taoufik, born 2 Sep. 1964 in Tunisia c) Ben Salah Adnan, born 2 Apr. 1966 in Tunisia d) Sassi Adel, born 2 Sep. 1966 in Tunisia e) Salam Kamel, born 2 Feb. 1963 in Tunisia f) Salah Adnan, born 4 Feb. 1965 in Algeria g) Arouri Faisel, born 2 Mar. 1965 in Tunisia h) Bentaib Amour, born 9 Feb. 1965 in Morocco i) Adnan Salah, born 1 Apr. 1966 in Tunisia j) Hasnaoui Mellit, born in 1972 in Morocco k) Arouri Taoufik ben Taieb, born 9 Feb. 1964 in Tunisia l) Abouechiba Brahim, born 2 Sep. 1966 in Lebanon m) Farid Arouri, born 2 Jun. 1964 in Tunisia n) Ben Magid, born 2 Jun. 1966 in Lebanon o) Maci Ssassi, born 2 Jun. 1972 in Libya p) Salah ben Anan, born 2 Apr. 1966 in Tunisia q) Hasnau Mellit, born in 1972 in Morocco **Low quality a.k.a.:** Abou Djarrah **Nationality:** Tunisian **Passport no.:** Tunisian passport number G827238, issued on 1 Jun. 1996, expired on 31 May 2001 **National identification no.:** na **Address:** Libya Street Number 9, Manzil Tmim, Nabeul, Tunisia **Listed on:** 12 Nov. 2003 (amended on 20 Dec. 2005, 10 Aug. 2009, 16 May 2011) **Other information:** Extradited from Italy to Tunisia on 13 Dec. 2008. Inadmissible to the Schengen area. Mother's name is Mabrukah al-Yazidi. Review pursuant to Security Council resolution 1822 (2008) was concluded on 22 Apr. 2010.

**QI.A.172.04. Name:** 1: HASSAN 2: ABDULLAH 3: HERSI 4: AL-TURKI

**Name (original script):** حسن عبد الله حرسى التركي

**Title:** a) Sheikh b) Colonel **Designation:** na **DOB:** Approximately 1944 **POB:** Region V, Ethiopia, (the Ogaden Region in eastern Ethiopia) **Good quality a.k.a.:** a) Hassan Turki b) Hassen Abdelle Fihaye c) Sheikh Hassan Abdullah Fahaih d) Hassan Al-Turki e) Hassan Abdillahi Hersi Turki f) Sheikh Hassan Turki g) Xasan Cabdilaahi Xirsi h) Xasan Cabdulle Xirsi **Low quality a.k.a.:** na **Nationality:** Somali **Passport no.:** na **National identification no.:** na **Address:** Reported to be active in Southern Somalia, lower Juba near Kismayo, mainly in Jilibe and Burgabo as of Nov. 2012 **Listed on:** 6 Jul. 2004 (amended on 25 Jul. 2006, 21 Dec. 2007, 12 Apr. 2010, 11 May 2010, 13 Dec. 2011, 18 Mar. 2013) **Other information:** Family Background: From the Ogaden clan, Reer - Abdille subclan. Part of the Al-Itihaad Al-Islamiya (AIAI) (QE.A.2.01.) leadership. Believed to have been involved in the attacks on the United States embassies in Nairobi and Dar es Salaam in August 1998. Also subject to the sanctions measures set out in Security Council resolution 1844 (2008) concerning Somalia and Eritrea (see [www.un.org/sc/committees/751/index.shtml](http://www.un.org/sc/committees/751/index.shtml)). Review pursuant to Security Council resolution 1822 (2008) was concluded on 13 May 2010.

**QI.A.274.10. Name:** 1: NASIR 2: 'ABD-AL-KARIM 3: 'ABDULLAH 4: AL-WAHISHI

**Name (original script):** ناصر عبدالكريم عبدالله الوحيشي

**Title:** na **Designation:** na **DOB:** a) 1 Oct. 1976 b) 08/10/1396 (Hijri Calendar) **POB:** Yemen **Good quality a.k.a.:** a) Nasir al-Wahishi b) Abu Basir Nasir al-Wahishi c) Naser Abdel Karim al-Wahishi d) Nasir Abd al-Karim al-Wuhayshi e) Abu Basir Nasir Al-Wuhayshi f) Nasser Abdul-karim Abdullah al-Wouhichi g) Abu Baseer al-Wehahishi h) Abu Basir Nasser al-Wuhishi i) Abdul Kareem Abdullah Al-Woohaishi j) Nasser Abdelkarim Saleh Al Wahichi **Low quality a.k.a.:** a) Abu Basir b) Abu Bashir **Nationality:** Yemeni **Passport no.:** Yemeni passport number 40483, issued on 5 Jan. 1997 **National identification no.:** na **Address:** na **Listed on:** 19 Jan. 2010 (amended on 15 Apr. 2014) **Other information:** Since 2007, leader of Al-Qaida in Yemen (AQY). Since Jan. 2009, leader of Al-Qaida in the Arabian Peninsula (QE.A.129.10.) operating in Yemen and Saudi Arabia. His deputy is Said Ali al-Shihri (QI.A.275.10.). Associated with senior Al-Qaida (QE.A.4.01.) leadership, claims he was secretary to Usama Bin Laden (QI.B.8.01.) prior

to 2003. Arrested in Iran and extradited to Yemen in 2003, where he escaped from prison in 2006 and remains fugitive as at Jan. 2010.

**QI.A.15.01. Name:** 1: MAHFOUZ 2: OULD 3: AL-WALID 4: na

**Name (original script):** محفوظ ولد الوليد

**Title:** na **Designation:** na **DOB:** 1 Jan. 1975 **POB:** Mauritania **Good quality a.k.a.:** a) Abu Hafs the Mauritanian b) Khalid Al-Shanqiti c) Mafouz Walad Al-Walid **Low quality a.k.a.:** na **Nationality:** Mauritanian **Passport no.:** na **National identification no.:** na **Address:** na **Listed on:** 6 Oct. 2001 (amended on 1 Jun. 2007, 10 Jun. 2011) **Other information:** Review pursuant to Security Council resolution 1822 (2008) was concluded on 15 Jun. 2010.

**QI.A.104.03. Name:** 1: NAJIB 2: BEN MOHAMED 3: BEN SALEM 4: AL-WAZ

**Name (original script):** نجيب بن محمد بن سالم الواز

**Title:** na **Designation:** na **DOB:** 12 Apr. 1960 **POB:** Al Haka'imah, Governorate of Mahdia, Tunisia **Good quality a.k.a.:** a) Ouaz Najib b) Ouaz Nagib **Low quality a.k.a.:** na **Nationality:** Tunisian **Passport no.:** Tunisian passport number K815205, issued on 17 Sep. 1994, expired on 16 Sep. 1999 **National identification no.:** na **Address:** Via Tovaglie Number 26, Bologna, Italy **Listed on:** 25 Jun. 2003 (amended on 20 Dec. 2005, 17 Oct. 2007, 16 Sep. 2008, 16 May 2011) **Other information:** Mother's name is Salihah Amir. Inadmissible to the Schengen area. Review pursuant to Security Council resolution 1822 (2008) was concluded on 22 Apr. 2010.

**QI.A.6.01. Name:** 1: AIMAN 2: MUHAMMED 3: RABI 4: AL-ZAWAHIRI

**Name (original script):** أيمن محمد ربيع الطواهري

**Title:** a) Doctor b) Dr. **Designation:** na **DOB:** 19 Jun. 1951 **POB:** Giza, Egypt **Good quality a.k.a.:** a) Ayman Al-Zawahiri b) Ahmed Fuad Salim c) Al Zawahry Aiman Mohamed Rabi Abdel Muaz d) Al Zawahiri Ayman e) Abdul Qader Abdul Aziz Abdul Moez Al Doctor f) Al Zawahry Aiman Mohamed Rabi g) Al Zawahry Aiman Mohamed Rabie h) Al Zawahry Aiman Mohamed Robi i) Dhawahri Ayman j) Eddaouahiri Ayman k) Nur Al Deen Abu Mohammed l) Ayman Al Zawahiri m) Ahmad Fuad Salim **Low quality a.k.a.:** a) Abu Fatma b) Abu Mohammed **Nationality:** Egyptian **Passport no.:** a) Egyptian Passport number 1084010 b) Passport number 19820215 **National identification no.:** na **Address:** na **Listed on:** 25 Jan. 2001 (amended on 2 Jul. 2007, 18 Jul. 2007, 13 Aug. 2007, 16 Dec. 2010) **Other information:** Former operational and military leader of Egyptian Islamic Jihad (QE.A.3.01), now a close associate of Usama Bin Laden (QI.B.8.01). Believed to be in the Afghanistan/Pakistan border area. Review pursuant to Security Council resolution 1822 (2008) was concluded on 21 Jun. 2010.

**QI.A.156.04. Name:** 1: ABD-AL-MAJID 2: AZIZ 3: AL-ZINDANI 4: na

**Name (original script):** عبد المجيد عزيز الزنداني

**Title:** Sheikh **Designation:** na **DOB:** 1950 **POB:** Yemen **Good quality a.k.a.:** a) Abdelmajid Al-Zindani b) Shaykh 'Abd Al-Majid Al-Zindani c) Sheikh Abd Al-Meguid Al-Zandani **Low quality a.k.a.:** na **Nationality:** Yemeni **Passport no.:** Yemeni passport number A005487, issued on 13 Aug. 1995 **National identification no.:** na **Address:** P.O. Box 8096, Sana'a, Yemen **Listed on:** 27 Feb. 2004 (amended on 25 Jul. 2006, 10 Jun. 2011) **Other information:** Review pursuant to Security Council resolution 1822 (2008) was concluded on 2 Jun. 2010.

**QI.A.152.03. Name:** 1: SAIFI 2: AMMARI 3: na 4: na

**Name (original script):** سيفي عماري

**Title:** na **Designation:** na **DOB:** a) 1 Jan. 1968 b) 24 Apr. 1968 **POB:** a) Kef Rih, Algeria b) Guelma, Algeria **Good quality a.k.a.:** a) Abdalarak b) El Para (combat name) c) Abderrezak Le Para d) Abou Haidara e) El Ourassi f) Abderrezak Zaimeche g) Abdul Rasak ammane Abu Haidra **Low quality a.k.a.:** na **Nationality:** Algerian **Passport no.:** na **National identification no.:** na **Address:** Algeria **Listed on:** 4 Dec. 2003 (amended on 7 Apr. 2008, 16 May 2011) **Other information:** In detention in Algeria since Oct. 2004. Former member of the GSPC listed as The Organization of Al-Qaida in the Islamic Maghreb (QE.T.14.01). Review pursuant to Security Council resolution 1822 (2008) was concluded on 27 Jul. 2010.

**QI.A.216.06. Name:** 1: ABDULLAH 2: ANSHORI 3: na 4: na

**Title:** na **Designation:** na **DOB:** 1958 **POB:** Pacitan, East Java, Indonesia **Good quality a.k.a.:** a) Abu Fatih b) Thoyib, Ibnu c) Toyib, Ibnu d) Abu Fathi **Low quality a.k.a.:** na **Nationality:** Indonesian **Passport no.:** na **National identification no.:** na **Address:** na **Listed on:** 21 Apr. 2006 **Other information:** Review pursuant to Security Council

resolution 1822 (2008) was concluded on 8 Jun. 2010.

**QI.B.62.02. Name:** 1: MOHAMED 2: AOUANI 3: na 4: na

**Name (original script):** محمد عواني

**Title:** na **Designation:** na **DOB:** 5 Feb. 1970 **POB:** Tunis, Tunisia **Good quality a.k.a.:** a) Lased Ben Heni, born 5 Feb. 1969 in Tripoli, Libyan Arab Jamahiriya b) Al-As'ad Ben Hani, born 5 Feb. 1969 in Tripoli, Libyan Arab Jamahiriya c) Mohamed Ben Belgacem Awani **Low quality a.k.a.:** a) Mohamed Abu Abda b) Abu Obeida **Nationality:** Tunisian **Passport no.:** na **National identification no.:** na **Address:** na **Listed on:** 24 Apr. 2002 (amended on 26 Nov. 2004, 9 Sep. 2005, 31 Jul. 2006, 23 Dec. 2010) **Other information:** Professor of Chemistry. Deported from Italy to Tunisia on 27 Aug. 2006. Review pursuant to Security Council resolution 1822 (2008) was concluded on 22 Apr. 2010.

**QI.A.184.05. Name:** 1: MUHSIN 2: FADHIL 3: AYED 4: ASHOUR AL-FADHLI

**Name (original script):** محسن فاضل عايد عاشور الفضي

**Title:** na **Designation:** na **DOB:** 24 Apr. 1981 **POB:** Kuwait **Good quality a.k.a.:** a) Muhsin Fadhil 'Ayyid al Fadhli b) Muhsin Fadil Ayid Ashur al Fadhli c) Abu Majid Samiyah d) Abu Samia **Low quality a.k.a.:** na **Nationality:** Kuwaiti **Passport no.:** a) Kuwaiti passport number 106261543 b) Kuwaiti passport number 1420529 issued in Kuwait and expired on 31 Mar. 2006 **National identification no.:** na **Address:** Block Four, Street 13, House #179 Kuwait City, Al-Riqqa area, Kuwait **Listed on:** 17 Feb. 2005 (amended on 23 Jul. 2008) **Other information:** Wanted by the Kuwaiti Security Authorities. Fugitive as of Jul. 2008. Review pursuant to Security Council resolution 1822 (2008) was concluded on 1 Jun. 2010.

**QI.A.265.08. Name:** 1: HAJI 2: MUHAMMAD 3: ASHRAF 4: na

**Title:** na **Designation:** na **DOB:** a) 1 Mar. 1965 b) 1955 **POB:** Faisalabad, Pakistan **Good quality a.k.a.:** a) Haji M. Ashraf b) Muhammad Ashraf Manshah c) Muhammad Ashraf Munsha **Low quality a.k.a.:** na **Nationality:** Pakistani **Passport no.:** a) Pakistani passport number AT0712501, issued on 12 Mar. 2008, expired 11 Mar 2013 b) Pakistani passport number A-374184 **National identification no.:** a) Pakistani national identification number 6110125312507 b) Pakistani national identification number 24492025390 **Address:** na **Listed on:** 10 Dec. 2008 (amended on 17 Jul. 2009, 24 Jul. 2013) **Other information:** Chief of finance of Lashkar-e-Tayyiba (QE.L.118.05.). His father's name is Noor Muhammad.

**QI.D.42.01. Name:** 1: HASSAN 2: DAHIR 3: AWEYS 4: na

**Name (original script):** حسن ظاهر عويس

**Title:** a) Sheikh b) Colonel **Designation:** na **DOB:** 1935 **POB:** Somalia **Good quality a.k.a.:** a) Ali, Sheikh Hassan Dahir Aweys b) Awes, Shaykh Hassan Dahir c) Hassen Dahir Aweys d) Ahmed Dahir Aweys e) Mohammed Hassan Ibrahim f) Aweys Hassan Dahir g) Hassan Tahir Oais h) Hassan Tahir Uways i) Hassan Dahir Awes **Low quality a.k.a.:** a) Sheikh Aweys b) Sheikh Hassan c) Sheikh Hassan Dahir Aweys **Nationality:** Somali **Passport no.:** na **National identification no.:** na **Address:** a) Active in Southern Somalia as of Nov. 2012 b) Also reported to be in Eritrea as of Nov. 2007 **Listed on:** 9 Nov. 2001 (amended on 21 Dec. 2007, 11 May 2010, 16 May 2011, 18 Mar. 2013) **Other information:** Family background: from the Hawiye's Habergidir, Ayr clan. Senior leader of Al-Itihaad Al-Islamiya (AIAI) (QE.A.2.01.) and Hizbul Islam in Somalia. Since 12 April 2010, also subject to the sanctions measures set out in Security Council resolution 1844 (2008) concerning Somalia and Eritrea (see [www.un.org/sc/committees/751/index.shtml](http://www.un.org/sc/committees/751/index.shtml)). Review pursuant to Security Council resolution 1822 (2008) was concluded on 22 Jun. 2010.

**QI.A.248.08. Name:** 1: RICARDO 2: PEREZ 3: AYERAS 4: na

**Title:** na **Designation:** na **DOB:** 15 Sep. 1973 **POB:** 24 Paraiso Street, Barangay Poblacion, Mandaluyong City, Philippines **Good quality a.k.a.:** a) Abdul Kareem Ayeras b) Abdul Karim Ayeras **Low quality a.k.a.:** a) Ricky Ayeras b) Jimboy c) Isaac Jay Galang Perez d) Abdul Mujib **Nationality:** Filipino **Passport no.:** na **National identification no.:** na **Address:** a) Barangay Mangayao, Tagkawayan, Quezon, Philippines b) Barangay Tigib, Ayungon, Negros Oriental, Philippines **Listed on:** 4 Jun. 2008 (amended on 13 Dec. 2011) **Other information:** Member of the Rajah Solaiman Movement (QE.R.128.08.). Arrested by the Philippines authorities on 14 Mar. 2011. Review pursuant to Security Council resolution 1822 (2008) was concluded on 13 May 2010.

**QI.B.305.12. Name:** 1: ABDUL 2: ROSYID 3: RIDHO 4: BA'ASYIR

**Title:** na **Designation:** na **DOB:** 31 Jan. 1974 **POB:** Sukoharjo, Indonesia **Good quality a.k.a.:** a) Abdul Rosyid Ridho Bashir b) Rashid Rida Ba'aysir c) Rashid Rida Bashir **Low quality a.k.a.:** na **Nationality:** Indonesian **Passport no.:**

na **National identification no.:** Indonesian National Identity Card number 1127083101740003 under name Abdul Rosyid Ridho Ba'asyir **Address:** Podok Pesantren AL Wayain Ngrandu, Sumber Agung Magetan, East Java, Indonesia **Listed on:** 12 Mar. 2012 **Other information:** Father's name is Abu Bakar Ba'asyir (QI.B.217.06.). Brother of Abdul Rahim Ba'asyir (QI.B.293.11). Belongs to the leadership of and is involved in recruitment and fundraising for Jemmah Anshorut Tauhid (JAT) (QE.J.133.12.) Associated with Jemaah Islamiyah (QE.J.92.02.).

**QI.B.217.06. Name:** 1: ABU BAKAR 2: BA'ASYIR 3: na 4: na

**Title:** na **Designation:** na **DOB:** 17 Aug. 1938 **POB:** Jombang, East Java, Indonesia **Good quality a.k.a.:** a) Baasyir, Abu Bakar b) Bashir, Abu Bakar c) Abdus Samad d) Abdus Somad **Low quality a.k.a.:** na **Nationality:** Indonesian **Passport no.:** na **National identification no.:** na **Address:** na **Listed on:** 21 Apr. 2006 **Other information:** Review pursuant to Security Council resolution 1822 (2008) was concluded on 8 Jun. 2010.

**QI.B.293.11. Name:** 1: ABDUL RAHIM 2: BA'AYSIR 3: na 4: na

**Title:** na **Designation:** na **DOB:** a) 16 Nov. 1977 b) 16 Nov. 1974 **POB:** a) Solo, Indonesia b) Sukoharjo, Central Java, Indonesia **Good quality a.k.a.:** a) Abdul Rahim Bashir b) 'Abd Al-Rahim Ba'asyir c) 'Abd Al-Rahim Bashir d) Abdurrahim Ba'asyir e) Abdurrahim Bashir f) Abdul Rachim Ba'asyir g) Abdul Rachim Bashir h) Abdul Rochim Ba'asyir i) Abdul Rochim Bashir j) Abdurochim Ba'asyir k) Abdurochim Bashir l) Abdurrochim Ba'asyir m) Abdurrochim Bashir n) Abdurrahman Ba'asyir o) Abdurrahman Bashir **Low quality a.k.a.:** na **Nationality:** Indonesian **Passport no.:** na **National identification no.:** na **Address:** Indonesia **Listed on:** 19 Jul. 2011 **Other information:** Senior Jemaah Islamiyah (QE.J.92.02.) leader. Father's name is Abu Bakar Ba'asyir (QI.B.217.06.).

**QI.B.80.02. Name:** 1: SAID 2: BAHAJI 3: na 4: na

**Name (original script):** سعيد باهاجي

**Title:** na **Designation:** na **DOB:** 15 Jul. 1975 **POB:** Haselünne, Lower Saxony, Germany **Good quality a.k.a.:** Zouheir Al Maghribi **Low quality a.k.a.:** a) Mohamed Abbattay b) Abderrahmane Al Maghribi **Nationality:** a) German b) Moroccan **Passport no.:** a) Provisional German Passport No.: 28642163 (issued by the city of Hamburg) b) Moroccan passport number 954242 issued on 28 June 1995 in Meknas, Morocco (expired) **National identification no.:** BPA Nr. 1336597587 **Address:** Formerly resident at: Bunatwiete 23, 21073 Hamburg, Germany **Listed on:** 30 Sep. 2002 (amended on 26 Nov. 2004, 9 Sep. 2005, 2 Jul. 2007, 23 Dec. 2010) **Other information:** Deputy Head of the Media Committee of Al-Qaida (QE.A.4.01) as at Apr. 2010. German authorities issued an arrest warrant for him on 21 Sep. 2001. Believed to be in the Afghanistan/Pakistan border area. Review pursuant to Security Council resolution 1822 (2008) was concluded on 20 May 2010.

**QI.B.266.08. Name:** 1: MAHMOUD 2: MOHAMMAD 3: AHMED 4: BHAZIQA

**Title:** na **Designation:** na **DOB:** a) 17 Aug. 1943 b) 1943 c) 1944 **POB:** India **Good quality a.k.a.:** a) Bahaziq Mahmoud b) Abu Abd al-'Aziz c) Abu Abdul Aziz d) Shaykh Sahib **Low quality a.k.a.:** na **Nationality:** Saudi Arabian **Passport no.:** na **National identification no.:** Saudi Arabian national identification number 4-6032-0048-1 **Address:** na **Listed on:** 10 Dec. 2008 **Other information:** Financier of Lashkar-e-Tayyiba (listed under permanent reference number QE.L.118.05.). Has served as the leader of Lashkar-e-Tayyiba in Saudi Arabia.

**QI.B.311.12. Name:** 1: AYYUB 2: BASHIR 3: na 4: na

**Name (original script):** أيوب بشير

**Title:** a) Qari b) Alhaj **Designation:** na **DOB:** a) 1966 b) 1964 c) 1969 d) 1971 **POB:** na **Good quality a.k.a.:** a) Alhaj Qari Ayub Bashar b) Qari Muhammad Ayub **Low quality a.k.a.:** na **Nationality:** a) Uzbek b) Afghan **Passport no.:** na **National identification no.:** na **Address:** Mir Ali, North Waziristan Agency, Federal Administered Tribal Area, Pakistan **Listed on:** 18 Oct. 2012 **Other information:** Member of leadership council as of early 2010 and head of finance for the Islamic Movement of Uzbekistan (QE.I.10.01.). Coordinated financial and logistical support for the Islamic Movement of Uzbekistan in Afghanistan and Pakistan between 2009-2012. Transferred and delivered funds to Fazal Rahim (QI.R.303.12).

**QI.B.55.01. Name:** 1: MAHMOOD 2: SULTAN 3: BASHIR-UD-DIN 4: na

**Title:** na **Designation:** na **DOB:** a) 1937 b) 1938 c) 1939 d) 1940 e) 1941 f) 1942 g) 1943 h) 1944 i) 1945 **POB:** na **Good quality a.k.a.:** a) Mahmood, Sultan Bashiruddin b) Mehmood, Dr. Bashir Uddin c) Mekmud, Sultan Baishiruddin **Low quality a.k.a.:** na **Nationality:** Pakistani **Passport no.:** na **National identification no.:** na **Address:** Street 13, Wazir Akbar Khan, Kabul, Afghanistan **Listed on:** 24 Dec. 2001 **Other information:** Review pursuant to Security Council resolution 1822 (2008) was concluded on 1 Jun. 2010.

**QI.B.279.10. Name:** 1: MOHAMED 2: BELKALEM 3: na 4: na

**Name (original script):** محمد بلكلام

**Title:** na **Designation:** na **DOB:** 19 Dec. 1969 **POB:** Hussein Dey, Algiers, Algeria **Good quality a.k.a.:** na **Low quality a.k.a.:** a) Abdelali Abou Dher (عبد العالي ابو ذر) b) El Harrachi (الحراشي) **Nationality:** Algerian **Passport no.:** na **National identification no.:** na **Address:** Mali **Listed on:** 22 Apr. 2010 (amended on 15 Apr. 2014) **Other information:** Convicted in absentia by Algerian tribunal on 28 Mar. 1996. Algerian international arrest warrant number 03/09 of 6 Jun. 2009 issued by the Tribunal of Sidi Mhamed, Algiers, Algeria. Algerian extradition request number 2307/09 of 3 Sep. 2009, presented to Malian authorities. Father's name is Ali Belkalem. Mother's name is Fatma Saadoudi. Member of The Organization of Al-Qaida in the Islamic Maghreb (QE.T.14.01.)

**QI.B.136.03. Name:** 1: MOKHTAR 2: BELMOKHTAR 3: na 4: na

**Name (original script):** مختار بلمختار

**Title:** na **Designation:** na **DOB:** 1 Jun. 1972 **POB:** Ghardaia, Algeria **Good quality a.k.a.:** a) Abou Abbes Khaled b) Belaouar Khaled Abou El Abass c) Belaouer Khaled Abou El Abass d) Belmokhtar Khaled Abou El Abes e) Khaled Abou El Abass f) Khaled Abou El Abbes g) Khaled Abou El Abes h) Khaled Abulabbas Na Oor i) Mukhtar Belmukhtar **Low quality a.k.a.:** a) Belaoua b) Belaour **Nationality:** Algerian **Passport no.:** na **National identification no.:** na **Address:** na **Listed on:** 11 Nov. 2003 (amended on 12 Apr. 2006, 2 Jul. 2007, 7 Apr. 2008, 25 Jan. 2010, 16 May 2011) **Other information:** Father's name is Mohamed. Mother's name is Zohra Chemkha. Member of the Council of The Organization of Al-Qaida in the Islamic Maghreb (QE.T.14.01) (AQIM). Head of Katibat el Moulathamoune active in AQIM's 4th region (Sahel/Sahara). Review pursuant to Security Council resolution 1822 (2008) was concluded on 30 Jul. 2009.

**QI.B.68.02. Name:** 1: ADEL 2: BEN AL-AZHAR 3: BEN YOUSSEF 4: BEN SOLTANE

**Name (original script):** عادل بن الأزهر بن يوسف بن سلطان

**Title:** na **Designation:** na **DOB:** 14 Jul. 1970 **POB:** Tunis, Tunisia **Good quality a.k.a.:** na **Low quality a.k.a.:** Zakariya **Nationality:** Tunisian **Passport no.:** Tunisian passport number M408665, issued on 4 Oct. 2000, expired 3 Oct. 2005 **National identification no.:** na **Address:** Tunisia **Listed on:** 3 Sep. 2002 (amended on 20 Dec. 2005, 7 Jun. 2007, 23 Dec. 2010) **Other information:** Italian Fiscal Code: BNSDLA70L14Z352B. Deported from Italy to Tunisia on 28 February 2004. Serving a 12-year prison sentence in Tunisia for membership in a terrorist organization abroad as at Jan. 2010. Review pursuant to Security Council resolution 1822 (2008) was concluded on 21 Jun. 2010.

**QI.B.307.12. Name:** 1: HAFIZ 2: ABDUL SALAM 3: BHUTTAVI 4: na

**Title:** a) Maulavi b) Mullah **Designation:** na **DOB:** 1940 **POB:** Gujranwala, Punjab Province, Pakistan **Good quality a.k.a.:** a) Hafiz Abdul Salam Bhattvi b) Hafiz Abdusalam Budvi c) Hafiz Abdussalaam Bhutvi d) Abdul Salam Budvi e) Abdul Salam Bhattwi f) Abdul Salam Bhutvi g) Mullah Abdul Salaam Bhattvi h) Molvi Abdursalam Bhattvi **Low quality a.k.a.:** na **Nationality:** Pakistani **Passport no.:** na **National identification no.:** na **Address:** na **Listed on:** 14 Mar. 2012 **Other information:** Founding member of Lashkar-e-Tayyiba (QE.L.118.05.) and deputy to Lashkar-e-Tayyiba leader Hafiz Muhammad Saeed (QI.S.263.08.).

**QI.B.81.02. Name:** 1: RAMZI 2: MOHAMED 3: ABDULLAH 4: BINALSHIBH

**Name (original script):** رمزي محمد عبد الله بن الشيبه

**Title:** na **Designation:** na **DOB:** a) 1 May 1972 b) 16 Sep. 1973 **POB:** a) Gheil Bawazir, Hadramawt, Yemen b) Khartoum, Sudan **Good quality a.k.a.:** a) Binalsheidah, Ramzi Mohamed Abdullah b) Bin Al Shihb, Ramzi c) Omar, Ramzi Mohamed Abdellah d) Mohamed Ali Abdullah Bawazir e) Binalshibh Ramzi Mohammed Abdullah f) Ramzi Binalshib g) Ramzi Mohamed Abdellah Omar Hassan Alassiri h) Binalshibh Ramsi Mohamed Abdullah i) Abu Ubaydah j) 'Umar Muhammad 'Abdallah Ba' Amari **Low quality a.k.a.:** Ramzi Omar **Nationality:** Yemeni **Passport no.:** 00085243 issued in Sanaa, Yemen, issued on 17 Nov. 1997 **National identification no.:** na **Address:** na **Listed on:** 30 Sep. 2002 (amended on 26 Nov. 2004, 25 Jul. 2006, 2 Jul. 2007, 27 Jul. 2007, 23 Dec. 2010) **Other information:** Arrested in Karachi, Pakistan, 30 Sep. 2002. In custody of the United States of America, as of May 2010. Review pursuant to Security Council resolution 1822 (2008) was concluded on 25 May 2010.

**QI.B.9.01. Name:** 1: BILAL 2: BIN MARWAN 3: na 4: na

**Name (original script):** بلال بن مروان

**Title:** na **Designation:** na **DOB:** 1947 **POB:** na **Good quality a.k.a.:** na **Low quality a.k.a.:** na **Nationality:** na **Passport no.:** na **National identification no.:** na **Address:** na **Listed on:** 25 Jan. 2001 **Other information:** Senior lieutenant of UBL. Review pursuant to Security Council resolution 1822 (2008) was concluded on 21 Jun. 2010.

**QI.B.63.02. Name:** 1: AL-MOKHTAR 2: BEN MOHAMED 3: BEN AL-MOKHTAR 4: BOUCHOUCHA

**Name (original script):** المختار بن محمد بن بوشوشة

**Title:** na **Designation:** na **DOB:** 13 Oct. 1969 **POB:** Tunis, Tunisia **Good quality a.k.a.:** Bushusha, Mokhtar **Low quality a.k.a.:** na **Nationality:** Tunisian **Passport no.:** Tunisian passport number K754050, issued on 26 May 1999, expired on 25 May 2004 **National identification no.:** 04756904, issued on 14 Sep. 1984 **Address:** Via Milano Number 38, Spinadesco, (CR), Italy **Listed on:** 24 Apr. 2002 (amended on 10 Apr. 2003, 26 Nov. 2004, 20 Dec. 2005, 7 Jun. 2007, 23 Dec. 2010) **Other information:** Italian Fiscal Code: BCHMHT69R13Z352T. Mother's name is Hedia Bannour. Review pursuant to Security Council resolution 1822 (2008) was concluded on 22 Apr. 2010.

**QI.B.188.05. Name:** 1: FAYCAL 2: BOUGHANEMI 3: na 4: na

**Name (original script):** فيصل بوغانمي

**Title:** na **Designation:** na **DOB:** 28 Oct. 1966 **POB:** Tunis, Tunisia **Good quality a.k.a.:** a) Faical Boughanmi b) Faysal al-Bughanimi **Low quality a.k.a.:** na **Nationality:** Tunisian **Passport no.:** na **National identification no.:** na **Address:** Number 5/B viale Cambonino, Cremona, Italy **Listed on:** 29 Jul. 2005 (amended on 7 Jun. 2007, 10 Aug. 2009, 1 Sep. 2009, 13 Dec. 2011) **Other information:** Italian Fiscal code: BGHFCL66R28Z352G. Sentenced to 7 years imprisonment in Italy on 29 Jun. 2007 by the Brescia Second Appeals Court. In detention in Italy as at Jun. 2009. Review pursuant to Security Council resolution 1822 (2008) was concluded on 20 Jul. 2009.

**QI.B.143.03. Name:** 1: HAMADI 2: BEN ABDUL AZIZ 3: BEN ALI 4: BOUYEHIA

**Name (original script):** حمادي بن عبد العزيز بن علي بويحي

**Title:** na **Designation:** na **DOB:** 29 May 1966 **POB:** Tunis, Tunisia **Good quality a.k.a.:** a) Gamel Mohamed, born 25 May 1966 in Morocco b) Abd el Wanis Abd Gawwad Abd el Latif Bahaa, born 9 May 1986 in Egypt **Low quality a.k.a.:** Mahmoud Hamid **Nationality:** Tunisian **Passport no.:** Tunisian passport number L723315, issued on 5 May 1998, expired on 4 May 2003 **National identification no.:** na **Address:** Corso XXII Marzo Number 39, Milan, Italy **Listed on:** 12 Nov. 2003 (amended on 20 Dec. 2005, 31 Jul. 2006, 30 Jan. 2009, 16 May 2011) **Other information:** In prison in Italy until 28 Jul. 2011. Review pursuant to Security Council resolution 1822 (2008) was concluded on 21 Jun. 2010.

**QI.C.312.12. Name:** 1: AAMIR 2: ALI 3: CHAUDHRY 4: na

**Name (original script):** عامر علي چوہدری

**Title:** na **Designation:** na **DOB:** 3 Aug. 1986 **POB:** na **Good quality a.k.a.:** a) Aamir Ali Chaudary b) Aamir Ali Choudry c) Amir Ali Chaudry **Low quality a.k.a.:** Huzaifa **Nationality:** Pakistani **Passport no.:** Pakistani passport number BN 4196361, issued on 28 Oct. 2008 expiring 27 Oct. 2013 **National identification no.:** Pakistani national identification number 33202-7126636-9 **Address:** na **Listed on:** 18 Oct. 2012 **Other information:** Electronics and explosives expert for Tehrik-e Taliban Pakistan (TTP) (QE.T.132.11). Involved in attack planning for TTP. Provided financial and logistical support for TTP and participated in TTP-sponsored militant training.

**QI.C.70.02. Name:** 1: YASSINE 2: CHEKKOURI 3: na 4: na

**Name (original script):** ياسين شكوري

**Title:** na **Designation:** na **DOB:** 6 Oct. 1966 **POB:** Safi, Morocco **Good quality a.k.a.:** na **Low quality a.k.a.:** na **Nationality:** Moroccan **Passport no.:** Moroccan passport number F46947 **National identification no.:** Moroccan national identity card H-135467 **Address:** 7th Street, Number 7, Hay Anas Safi, Morocco **Listed on:** 3 Sep. 2002 (amended on 7 Jun. 2007, 23 Dec. 2010) **Other information:** Mother's name is Feue Hlima Bent Barka and father's name is Abderrahmane Mohammed Ben Azzouz. Deported from Italy to Morocco on 26 Feb. 2004. Review pursuant to Security Council resolution 1822 (2008) was concluded on 21 Jun. 2010.

**QI.C.300.12. Name:** 1: MONIR 2: CHOUKA 3: na 4: na

**Title:** na **Designation:** na **DOB:** 30 Jul. 1981 **POB:** Bonn, Germany **Good quality a.k.a.:** na **Low quality a.k.a.:** Abu Adam **Nationality:** a) German b) Moroccan **Passport no.:** German passport number 5208323009 issued in Stadt Bonn, Germany, issued on 2 Feb. 2007, expires on 1 Feb. 2012 **National identification no.:** German national identity card number 5209530116 issued in Stadt Bonn, Germany, issued on 21 Jun. 2006, expired on 20 Jun. 2011 **Address:**

Ungartenstraße 6, Bonn, 53229, Germany, (previous) **Listed on:** 25 Jan. 2012 **Other information:** Associated with Islamic Movement of Uzbekistan (QE.I.10.01.). Brother of Yassin Chouka (QI.C.301.12.) Arrest warrant issued by the investigating judge of the German Federal Court of Justice on 5 Oct. 2010.

**QI.C.301.12. Name:** 1: YASSIN 2: CHOUKA 3: na 4: na

**Title:** na **Designation:** na **DOB:** 11 Dec. 1984 **POB:** Bonn, Germany **Good quality a.k.a.:** na **Low quality a.k.a.:** Abu Ibraheem **Nationality:** a) German b) Moroccan **Passport no.:** German passport number 5204893014 issued in Stadt Bonn, Germany, issued on 5 Oct. 2000, expired on 5 Oct. 2005 **National identification no.:** German national identity card number 5209445304 issued in Stadt Bonn, Germany, issued on 5 Sep. 2005, expired on 4 Sep. 2010 **Address:** Karl-Barth-Straße 14, Bonn, 53129, Germany, (previous) **Listed on:** 25 Jan. 2012 **Other information:** Associated with Islamic Movement of Uzbekistan (QE.I.10.01.). Brother of Monir Chouka (QI.C.300.12.). Arrest warrant issued by the investigating judge of the German Federal Court of Justice on 5 Oct. 2010.

**QI.C.141.03. Name:** 1: MAXAMED 2: CABDULLAAH 3: CIISE 4: na

**Title:** na **Designation:** na **DOB:** 8 Oct. 1974 **POB:** Kismaayo, Somalia **Good quality a.k.a.:** a) Maxamed Cabdullaahi Ciise b) Maxammed Cabdullaahi c) Cabdullah Mayamed Ciise **Low quality a.k.a.:** na **Nationality:** Somali **Passport no.:** na **National identification no.:** United Kingdom identification number PX910063D **Address:** Somalia **Listed on:** 12 Nov. 2003 (amended on 9 Sep. 2005, 30 Jan. 2009, 20 Apr. 2009, 21 Oct. 2010) **Other information:** Present in Somalia as of Apr. 2009 following transfer from United Kingdom. Review pursuant to Security Council resolution 1822 (2008) was concluded on 21 Jun. 2010.

**QI.D.252.08. Name:** 1: AHMED 2: DEGHDEGH 3: na 4: na

**Name (original script):** أحمد دغداغ

**Title:** na **Designation:** na **DOB:** 17 Jan. 1967 **POB:** Anser, Wilaya (province) of Jijel, Algeria **Good quality a.k.a.:** a) Abd El Illah b) Abdellillah dit Abdellah Ahmed dit Said **Low quality a.k.a.:** na **Nationality:** Algerian **Passport no.:** na **National identification no.:** na **Address:** Algeria **Listed on:** 3 Jul. 2008 (amended on 24 Mar. 2009, 15 Nov. 2012) **Other information:** Belongs to the leadership and is the finance chief of the Organization of Al-Qaida in the Islamic Maghreb (QE.T.14.01.). Mother's name is Zakia Chebira. Father's name is Lakhdar.

**QI.D.246.08. Name:** 1: REDENDO 2: CAIN 3: DELLOSA 4: na

**Title:** na **Designation:** na **DOB:** 15 May 1972 **POB:** Punta, Santa Ana, Manila, Philippines **Good quality a.k.a.:** a) Abu Ilonggo b) Brandon Berusa c) Abu Muadz d) Arnulfo Alvarado e) Habil Ahmad Dellosa **Low quality a.k.a.:** a) Dodong b) Troy c) Uthman **Nationality:** Filipino **Passport no.:** na **National identification no.:** na **Address:** 3111, Ma. Bautista, Punta, Santa Ana, Manila, Philippines **Listed on:** 4 Jun. 2008 (amended on 3 Jun. 2009, 13 Dec. 2011) **Other information:** Member of the Rajah Solaiman Movement (QE.R.128.08.) and linked to the Abu Sayyaf Group (QE.A.1.01.). Father's name is Fernando Rafael Dellosa. Mother's name is Editha Parado Cain. In detention in the Philippines as of Jan. 2010. Review pursuant to Security Council resolution 1822 (2008) was concluded on 13 May 2010.

**QI.D.243.08. Name:** 1: FELICIANO 2: SEMBORIO 3: DELOS REYES JR. 4: na

**Title:** Ustadz **Designation:** na **DOB:** 4 Nov. 1963 **POB:** Arco, Lamitan, Basilan, Philippines **Good quality a.k.a.:** a) Abubakar Abdillah b) Abdul Abdillah **Low quality a.k.a.:** na **Nationality:** Filipino **Passport no.:** na **National identification no.:** na **Address:** Philippines **Listed on:** 4 Jun. 2008 (amended on 3 Jun. 2009, 13 Dec. 2011) **Other information:** Member of the Rajah Solaiman Movement (QE.R.128.08.). Father's name is Feliciano Delos Reyes Sr. Mother's name is Aurea Semborio. In detention in the Philippines as of May 2011. Review pursuant to Security Council resolution 1822 (2008) was concluded on 13 May 2010.

**QI.D.164.04. Name:** 1: OTHMAN 2: DERAMCHI 3: na 4: na

**Name (original script):** عثمان درمشی

**Title:** na **Designation:** na **DOB:** 7 Jun. 1954 **POB:** Tighennif, Algeria **Good quality a.k.a.:** na **Low quality a.k.a.:** Abou Youssef **Nationality:** Algerian **Passport no.:** na **National identification no.:** na **Address:** Algeria **Listed on:** 17 Mar. 2004 (amended on 26 Nov. 2004, 21 Dec. 2007, 2 Dec. 2008, 3 Jun. 2009, 25 Jan. 2010, 16 May 2011) **Other information:** Italian Fiscal Code DRMTMN54H07Z301T. Deported from Italy to Algeria on 22 Aug. 2008. Father in law of Djamel Lounici (QI.L.155.04). Review pursuant to Security Council resolution 1822 (2008) was concluded on 28 Sep. 2009.



**QI.D.245.08. Name:** 1: PIO 2: ABOGNE 3: DE VERA 4: na

**Title:** na **Designation:** na **DOB:** 19 Dec. 1969 **POB:** Bagac, Bagamanok, Catanduanes, Philippines **Good quality a.k.a.:** Ismael De Vera **Low quality a.k.a.:** a) Khalid b) Ismael c) Ismail d) Manex e) Tito Art f) Dave g) Leo **Nationality:** Filipino **Passport no.:** na **National identification no.:** na **Address:** Concepcion, Zaragosa, Nueva Ecija, Philippines **Listed on:** 4 Jun. 2008 (amended on 3 Jun. 2009, 13 Dec. 2011) **Other information:** Member of the Rajah Solaiman Movement (QE.R.128.08.), Abu Sayyaf Group (QE.A.1.01.) and Jemaah Islamiyah (QE.J.92.02.). Father's name is Honorio Devera. Mother's name is Fausta Abogne. In detention in the Philippines as of May 2011. Review pursuant to Security Council resolution 1822 (2008) was concluded on 13 May 2010.

**QI.D.167.04. Name:** 1: KAMEL 2: DJERMANE 3: na 4: na

**Name (original script):** كمال جرمان

**Title:** na **Designation:** na **DOB:** 12 Oct. 1965 **POB:** Oum el Bouaghi, Algeria **Good quality a.k.a.:** a) Bilal b) Adel c) Fodhil d) Abou Abdeljalil **Low quality a.k.a.:** na **Nationality:** Algerian **Passport no.:** na **National identification no.:** na **Address:** Algeria **Listed on:** 3 May 2004 (amended on 7 Apr. 2008, 13 Dec. 2011) **Other information:** In detention in Algeria as at April 2010. Arrest warrant issued by the German authorities on 9 Oct. 2003 for involvement in kidnapping. Former member of the Katibat Tarek Ibn Ziad of The Organization of Al-Qaida in the Islamic Maghreb (QE.T.14.01). Review pursuant to Security Council resolution 1822 (2008) was concluded on 27 Jul. 2010.

**QI.D.249.08. Name:** 1: YAHIA 2: DJOUADI 3: na 4: na

**Name (original script):** يحي جوادى

**Title:** na **Designation:** na **DOB:** 1 Jan. 1967 **POB:** M'Hamid, Wilaya (province) of Sidi Bel Abbes, Algeria **Good quality a.k.a.:** a) Yahia Abou Ammar b) Abou Ala **Low quality a.k.a.:** na **Nationality:** Algerian **Passport no.:** na **National identification no.:** na **Address:** na **Listed on:** 3 Jul. 2008 (amended on 15 Nov. 2012) **Other information:** Belongs to the leadership of the Organization of Al-Qaida in the Islamic Maghreb (listed under permanent reference number QE.T.14.01.). Located in Northern Mali as of Jun. 2008. Mother's name is Zohra Fares. Father's name is Mohamed.

**QI.D.232.07. Name:** 1: ABDELMALEK 2: DROUKDEL 3: na 4: na

**Name (original script):** عبد المالك دروكدال

**Title:** na **Designation:** na **DOB:** 20 Apr. 1970 **POB:** Meftah, Wilaya of Blida, Algeria **Good quality a.k.a.:** Abou Mossaab Abdelouadoud **Low quality a.k.a.:** na **Nationality:** Algerian **Passport no.:** na **National identification no.:** na **Address:** Algeria **Listed on:** 27 Aug. 2007 (amended on 7 Apr. 2008, 13 Dec. 2011) **Other information:** Head of The Organization of Al-Qaida in the Islamic Maghreb (QE.T.14.01.). Sentenced in absentia to life imprisonment in Algeria on 21 March 2007. Father's name is Rabah Droukdel. Mother's name is Z'hour Zdigha. Review pursuant to Security Council resolution 1822 (2008) was concluded on 4 May 2009.

**QI.D.95.03. Name:** 1: LIONEL 2: DUMONT 3: na 4: na

**Title:** na **Designation:** na **DOB:** 21 Jan. 1971 **POB:** Roubaix, France **Good quality a.k.a.:** a) Jacques Brougere b) Abu Hamza c) Di Karlo Antonio d) Merlin Oliver Christian Rene e) Arfauni Imad Ben Yousset Hamza f) Imam Ben Yussuf Arfaj g) Abou Hamza h) Arfauni Imad **Low quality a.k.a.:** a) Bilal b) Hamza c) Koumkal d) Kumkal e) Merlin f) Tinet g) Brugere h) Dimon **Nationality:** French **Passport no.:** na **National identification no.:** na **Address:** France **Listed on:** 25 Jun. 2003 (amended on 22 Nov. 2004, 26 Nov. 2004, 2 Jul. 2007, 17 Oct. 2007, 24 Mar. 2009, 6 Aug. 2010) **Other information:** In custody in France as of May 2004. Sentenced to 25 years imprisonment in France in 2007. Review pursuant to Security Council resolution 1822 (2008) was concluded on 15 Jun. 2010.

**QI.D.111.03. Name:** 1: AGUS 2: DWIKARNA 3: na 4: na

**Title:** na **Designation:** na **DOB:** 11 Aug. 1964 **POB:** Makassar, South Sulawesi, Indonesia **Good quality a.k.a.:** na **Low quality a.k.a.:** na **Nationality:** Indonesian **Passport no.:** Indonesian travel document number XD253038 **National identification no.:** na **Address:** Indonesia **Listed on:** 9 Sep. 2003 (amended on 26 Nov. 2004, 14 May 2014) **Other information:** Arrested 13 Mar. 2002, sentenced 12 July 2002 in the Philippines. Released from custody in the Philippines on 1 Jan. 2014 and subsequently deported to Indonesia. Physical description: height 165 cm. Photo available for inclusion in the INTERPOL-UN Security Council Special Notice. Review pursuant to Security Council resolution 1822 (2008) was concluded on 25 May 2010.

**QI.E.169.04. Name:** 1: DHOU 2: EL-AICH 3: na 4: na

**Name (original script):** ذو العيش

**Title:** na **Designation:** na **DOB:** 5 Aug. 1964 **POB:** Blida, Algeria **Good quality a.k.a.:** Abdel Hak **Low quality a.k.a.:** na **Nationality:** Algerian **Passport no.:** na **National identification no.:** na **Address:** na **Listed on:** 3 May 2004 (amended on 12 Apr. 2006, 7 Apr. 2008, 13 Dec. 2011) **Other information:** Confirmed to have died in Chad on 8 Mar. 2004. Review pursuant to Security Council resolution 1822 (2008) was concluded on 27 Jul. 2010.

**QI.E.19.01. Name:** 1: ABDULLAH 2: AHMED 3: ABDULLAH 4: EL ALFI

**Name (original script):** عبد الله احمد عبدالله الالفي

**Title:** na **Designation:** na **DOB:** 6 Jun. 1963 **POB:** Gharbia, Egypt **Good quality a.k.a.:** na **Low quality a.k.a.:** a) Abu Mariam b) Al-Masri, Abu Mohamed c) Saleh **Nationality:** Egyptian **Passport no.:** na **National identification no.:** na **Address:** na **Listed on:** 17 Oct. 2001 (amended on 26 Nov. 2004) **Other information:** Afghanistan. Review pursuant to Security Council resolution 1822 (2008) was concluded on 21 Jun. 2010.

**QI.E.142.03. Name:** 1: RADJ 2: ABD EL SAMIE 3: ABOU EL YAZID 4: EL AYASHI

**Name (original script):** راضي عبد السميع أبو اليزيد العياشي

**Title:** na **Designation:** na **DOB:** 2 Jan. 1972 **POB:** El Gharbia, Egypt **Good quality a.k.a.:** na **Low quality a.k.a.:** Mera'i **Nationality:** na **Passport no.:** na **National identification no.:** na **Address:** Via Cilea 40, Milan, Italy (Domicile) **Listed on:** 12 Nov. 2003 (amended on 9 Sep. 2005, 21 Dec. 2007, 16 May 2011) **Other information:** Sentenced to ten years of imprisonment by the Court of first instance of Milan on 21 Sep. 2006. In custody in Italy. Due for release on 6 Jan. 2012. Subject to expulsion from Italy after serving the sentence. Review pursuant to Security Council resolution 1822 (2008) was concluded on 21 Jun. 2010.

**QI.E.262.08. Name:** 1: REDOUANE 2: EL HABHAB 3: na 4: na

**Title:** na **Designation:** na **DOB:** 20 Dec. 1969 **POB:** Casablanca, Morocco **Good quality a.k.a.:** Abdelrahman **Low quality a.k.a.:** na **Nationality:** a) German b) Moroccan **Passport no.:** German passport number 1005552350, issued on 27 Mar. 2001 by Municipality of Kiel, Germany, expired on 26 Mar. 2011 **National identification no.:** German federal identity card number 1007850441, issued on 27 Mar. 2001 by Municipality of Kiel, Germany, expired on 26 Mar. 2011 **Address:** Illtisstrasse 58, 24143 Kiel, Germany (previous address) **Listed on:** 12 Nov. 2008 (amended on 30 Jan. 2009, 24 Mar. 2009, 15 Nov. 2012) **Other information:** Released from custody in Germany in Apr. 2012.

**QI.E.82.02. Name:** 1: MOUNIR 2: EL MOTASSADEQ 3: na 4: na

**Name (original script):** منير المتصدق

**Title:** na **Designation:** na **DOB:** 3 Apr. 1974 **POB:** Marrakesh, Morocco **Good quality a.k.a.:** Mounir el Moutassadeq **Low quality a.k.a.:** na **Nationality:** Moroccan **Passport no.:** Moroccan Passport H 236483 **National identification no.:** Moroccan national identity card E-491591 **Address:** In prison in Germany **Listed on:** 30 Sep. 2002 (amended on 26 Nov. 2004, 7 Sep. 2007, 23 Dec. 2010) **Other information:** Arrested on 28 Nov. 2001 and found guilty in Germany of being an accessory to murder and of membership in a terrorist organization and sentenced to 15 years of imprisonment on 8 Jan. 2007. Father's name is Brahim Brik. Mother's name is Habiba Abbas. Review pursuant to Security Council resolution 1822 (2008) was concluded on 20 May 2010.

**QI.E.65.02. Name:** 1: ABD EL KADER 2: MAHMOUD 3: MOHAMED 4: EL SAYED

**Name (original script):** عبد القادر محمود محمد السيد

**Title:** na **Designation:** na **DOB:** 26 Dec. 1962 **POB:** Egypt **Good quality a.k.a.:** a) Es Sayed, Kader b) Abdel Khader Mahmoud Mohamed el Sayed **Low quality a.k.a.:** na **Nationality:** Egyptian **Passport no.:** na **National identification no.:** na **Address:** na **Listed on:** 24 Apr. 2002 (amended on 26 Nov. 2004, 7 Jun. 2007, 16 May 2011) **Other information:** Italian Fiscal Code: SSSYBLK62T26Z336L. Sentenced to 8 years imprisonment in Italy on 2 February 2004. Considered a fugitive from justice by the Italian authorities. Review pursuant to Security Council resolution 1822 (2008) was concluded on 22 Apr. 2010.

**QI.E.64.02. Name:** 1: SAMI 2: BEN KHAMIS 3: BEN SALEH 4: ELSSEID

**Name (original script):** سامي بن خميس بن صالح الصيد

**Title:** na **Designation:** na **DOB:** 10 Feb. 1968 **POB:** Menzel Jemil, Bizerte, Tunisia **Good quality a.k.a.:** Omar El Mouhajer **Low quality a.k.a.:** Saber **Nationality:** Tunisian **Passport no.:** Tunisian passport number K929139, issued

on 14 Feb. 1995, expired on 13 Feb. 2000 **National identification no.:** 00319547 issued on 8 Dec. 1994 **Address:** Ibn Al-Haythman Street, Number 6, Manubah, Tunis, Tunisia **Listed on:** 24 Apr. 2002 (amended on 10 Apr. 2003, 26 Nov. 2004, 9 Sep. 2005, 20 Dec. 2005, 7 Jun. 2007, 21 Dec. 2007, 10 Aug. 2009, 23 Dec. 2010) **Other information:** Italian Fiscal Code: SSDSBN68B10Z352F. Mother's name is Beya Al-Saidani. Deported from Italy to Tunisia on 2 Jun. 2008. Review pursuant to Security Council resolution 1822 (2008) was concluded on 22 Apr. 2010.

**QI.E.96.03. Name:** 1: MOUSSA 2: BEN OMAR 3: BEN ALI 4: ESSAADI

**Name (original script):** موسى بن عمر بن علي السعدي

**Title:** na **Designation:** na **DOB:** 4 Dec. 1964 **POB:** Tabarka, Tunisia **Good quality a.k.a.:** na **Low quality a.k.a.:** a) Dah Dah b) Abdelrahman c) Bechir **Nationality:** Tunisian **Passport no.:** Tunisian passport number L335915, issued in Milan, Italy on 8 Nov. 1996, expired on 7 Nov. 2001 **National identification no.:** na **Address:** Tunisia **Listed on:** 25 Jun. 2003 (amended on 20 Dec. 2005, 17 Oct. 2007, 10 Aug. 2009, 16 May 2011, 20 Jul. 2012) **Other information:** Considered a fugitive from justice by the Italian authorities (as of Nov. 2009). Left Sudan to Tunisia in 2011. Review pursuant to Security Council resolution 1822 (2008) was concluded on 15 Jun. 2010.

**QI.E.83.02. Name:** 1: ZAKARYA 2: ESSABAR 3: na 4: na

**Name (original script):** زكريا الصبار

**Title:** na **Designation:** na **DOB:** 3 Apr. 1977 **POB:** Essaouria, Morocco **Good quality a.k.a.:** Zakariya Essabar **Low quality a.k.a.:** na **Nationality:** Moroccan **Passport no.:** a) Moroccan passport number M 271351 issued on 24 Oct. 2000 by the Embassy of Morocco in Berlin b) Moroccan passport number K-348486 **National identification no.:** a) Moroccan National Identity number E-189935 b) Moroccan National Identity Card number G-0343089 **Address:** na **Listed on:** 30 Sep. 2002 (amended on 26 Nov. 2004, 10 Jun. 2011) **Other information:** Father's name is Mohamed ben Ahmed. Mother's name is Sfia bent Toubali. Review pursuant to Security Council resolution 1822 (2008) was concluded on 20 May 2010.

**QI.F.27.01. Name:** 1: MUSTAFA 2: MOHAMED 3: FADHIL 4: na

**Name (original script):** مصطفى محمد فاضل

**Title:** na **Designation:** na **DOB:** a) 23 Jun. 1976 b) 1 Jan. 1976 **POB:** Cairo, Egypt **Good quality a.k.a.:** a) Al Masri, Abd Al Wakil b) Ali, Hassan c) Anis, Abu; d) Elbishy, Moustafa Ali e) Fadil, Mustafa Muhamad f) Fazul, Mustafa g) Mohammed, Mustafa h) Mustafa Ali Elbishy **Low quality a.k.a.:** a) Hussein b) Jihad, Abu c) Khalid d) Man, Nu e) Yussrr, Abu f) Al-Nubi, Abu **Nationality:** Kenyan **Passport no.:** na **National identification no.:** Kenyan ID number 12773667 ; Serial number 201735161 **Address:** na **Listed on:** 17 Oct. 2001 (amended on 2 Jul. 2007, 16 Dec. 2010) **Other information:** Review pursuant to Security Council resolution 1822 (2008) was concluded on 21 Jun. 2010.

**QI.G.251.08. Name:** 1: SALAH EDDINE 2: GASMI 3: na 4: na

**Name (original script):** صالح قاسمي

**Title:** na **Designation:** na **DOB:** 13 Apr. 1971 **POB:** Zeribet El Oued, Wilaya (province) of Biskra, Algeria **Good quality a.k.a.:** Abou Mohamed Salah **Low quality a.k.a.:** Bounouadher **Nationality:** Algerian **Passport no.:** na **National identification no.:** na **Address:** Algeria **Listed on:** 3 Jul. 2008 (amended on 24 Mar. 2009, 15 Nov. 2012, 14 Mar. 2013) **Other information:** Belongs to the leadership and is in charge of information committee of the Organization of Al-Qaida in the Islamic Maghreb (QE.T.14.01.). Mother's name is Yamina Soltane. Father's name is Abdelaziz. Associated with Abdelmalek Droukdel (QI.D.232.07). Arrested in Algeria on 16 Dec. 2012.

**QI.G.259.08. Name:** 1: FRITZ 2: MARTIN 3: GELOWICZ 4: na

**Title:** na **Designation:** na **DOB:** 1 Sep. 1979 **POB:** Munich, Germany **Good quality a.k.a.:** a) Robert Konars, born 10 Apr. 1979 in Liege, Belgium b) Markus Gebert **Low quality a.k.a.:** a) Malik b) Benzl c) Bentley **Nationality:** German **Passport no.:** German passport number 7020069907 issued in Ulm, Germany, expired on 11 May 2010. **National identification no.:** German Federal Identity Card number 7020783883 issued in Ulm, Germany, expired on 10 Jun. 2008. **Address:** a) In prison in Germany (since Sep. 2007). b) Böfinger Weg 20, 89075 Ulm, Germany (previous address) **Listed on:** 27 Oct. 2008 (amended on 13 Dec. 2011) **Other information:** Associated with the Islamic Jihad Union (IJU), also known as the Islamic Jihad Group (QE.I.119.05.). Associated with Daniel Martin Schneider (QI.S.260.08.) and Adem Yilmaz (QI.Y.261.08.). In detention in Germany as of Jun. 2010.

**QI.G.28.01. Name:** 1: AHMED 2: KHALFAN 3: GHAILANI 4: na

**Title:** na **Designation:** na **DOB:** a) 14 Mar. 1974 b) 13 Apr. 1974 c) 14 Apr. 1974 d) 1 Aug. 1970 **POB:** Zanzibar, Tanzania **Good quality a.k.a.:** a) Ahmad, Abu Bakr b) Ahmed, Abubakar c) Ahmed, Abubakar K. d) Ahmed, Abubakar Khalfan e) Ahmed, Abubakary K. f) Ahmed, Ahmed Khalfan g) Ali, Ahmed Khalfan h) Ghailani, Abubakary Khalfan Ahmed i) Ghailani, Ahmed j) Ghilani, Ahmad Khalafan k) Hussein, Mahafudh Abubakar Ahmed Abdallah l) Khalfan, Ahmed m) Mohammed, Shariff Omar n) Haythem al-Kini **Low quality a.k.a.:** a) Ahmed The Tanzanian b) Foopie c) Fupi d) Ahmed, A e) Al Tanzani, Ahmad f) Bakr, Abu g) Khabar, Abu **Nationality:** Tanzanian **Passport no.:** na **National identification no.:** na **Address:** United States of America **Listed on:** 17 Oct. 2001 (amended on 27 Jul. 2007, 21 Oct. 2010) **Other information:** Apprehended in July 2004 and in custody for trial in the United States of America, as at October 2010, Review pursuant to Security Council resolution 1822 (2008) was concluded on 21 Jun. 2010.

**QI.H.250.08. Name:** 1: AMOR 2: MOHAMED 3: GHEDEIR 4: na

**Name (original script):** عمر محمد قدير

**Title:** na **Designation:** na **DOB:** Approximately 1958 **POB:** Deb-Deb, Amenas, Wilaya (province) of Illizi, Algeria **Good quality a.k.a.:** a) Abdelhamid Abou Zeid b) Youcef Adel c) Abou Abdellah d) Abid Hammadou, born 12 Dec. 1965 in Touggourt, Wilaya (province) of Ouargla, Algeria, (previously listed as) **Low quality a.k.a.:** na **Nationality:** Algerian **Passport no.:** na **National identification no.:** na **Address:** na **Listed on:** 3 Jul. 2008 (amended on 10 May 2012, 15 Nov. 2012) **Other information:** Associated with the Organization of Al-Qaida in the Islamic Maghreb (QE.T.14.01.). Located in Northern Mali as of Jun. 2008. Mother's name is Benarouba Bachira. Father's name is Mabrouk. He usurped the identity of Abid Hammadou, who allegedly died in Chad in 2004.

**QI.G.218.06. Name:** 1: GUN GUN 2: RUSMAN 3: GUNAWAN 4: na

**Title:** na **Designation:** na **DOB:** 6 Jul. 1977 **POB:** Cianjur, West Java, Indonesia **Good quality a.k.a.:** a) Gunawan, Rusman b) Abd Al-Hadi c) Abdul Hadi d) Abdul Karim e) Bukhori f) Bukhory **Low quality a.k.a.:** na **Nationality:** Indonesian **Passport no.:** na **National identification no.:** na **Address:** na **Listed on:** 21 Apr. 2006 (amended on 13 Dec. 2011) **Other information:** Brother of Nurjaman Riduan Isamuddin (QI.I.87.03). Review pursuant to Security Council resolution 1822 (2008) was concluded on 8 Jun. 2010.

**QI.H.3.01. Name:** 1: SALIM 2: AHMAD 3: SALIM 4: HAMDAN

**Name (original script):** سالم أحمد سالم حمدان

**Title:** na **Designation:** na **DOB:** 1965 **POB:** a) Al-Mukalla, Yemen b) Al-Mukala, Yemen **Good quality a.k.a.:** a) Saqr Al-Jaddawi (الكتيبة صقر الجداوي) b) Saqar Al Jadawi c) Saqar Aljawadi d) Salem Ahmed Salem Hamdan **Low quality a.k.a.:** na **Nationality:** Yemeni **Passport no.:** Yemeni passport number 00385937 **National identification no.:** na **Address:** a) Shari Tunis, Sana'a, Yemen, (previous address) b) Located in Yemen since Nov. 2008 **Listed on:** 25 Jan. 2001 (amended on 25 Jul. 2006, 23 Apr. 2007, 30 Jan. 2009, 17 Jul. 2009, 25 Jan. 2010) **Other information:** Driver and private bodyguard to Usama bin Laden (QI.B.8.01) from 1996 until 2001. Transferred from United States custody to Yemen in Nov. 2008. Review pursuant to Security Council resolution 1822 (2008) was concluded on 8 Jul. 2010.

**QI.H.144.03. Name:** 1: MOHAMMAD 2: TAHIR 3: HAMMID 4: na

**Name (original script):** محمد طاهر حامد

**Title:** Imam **Designation:** na **DOB:** 1 Nov. 1975 **POB:** Poshok, Iraq **Good quality a.k.a.:** Abdelhamid Al Kurdi **Low quality a.k.a.:** na **Nationality:** na **Passport no.:** na **National identification no.:** na **Address:** na **Listed on:** 12 Nov. 2003 (amended on 9 Sep. 2005, 21 Dec. 2007, 16 May 2011) **Other information:** A deportation order was issued by the Italian authorities on 18 Oct. 2004. Considered a fugitive from justice by the Italian authorities as of Sep. 2007. Review pursuant to Security Council resolution 1822 (2008) was concluded on 8 Jun. 2010.

**QI.H.204.05. Name:** 1: ISNILON 2: TOTONI 3: HAPILON 4: na

**Title:** na **Designation:** na **DOB:** a) 18 Mar. 1966 b) 10 Mar. 1967 **POB:** Bulanza, Lantawan, Basilan, the Philippines **Good quality a.k.a.:** a) Isnilon Hapilun b) Isnilun Hapilun c) Abu Musab d) Salahudin e) Tuan Isnilon **Low quality a.k.a.:** na **Nationality:** Filipino **Passport no.:** na **National identification no.:** na **Address:** na **Listed on:** 6 Dec. 2005 **Other information:** Review pursuant to Security Council resolution 1822 (2008) was concluded on 8 Jun. 2010.

**QI.H.268.09. Name:** 1: ABDUL 2: HAQ 3: na 4: na

**Title:** na **Designation:** na **DOB:** 10 Oct. 1971 **POB:** Chele County, Khuttan Area, Xinjiang Uighur Autonomous Region, China **Good quality a.k.a.:** a) Maimaitiming Maimaiti b) Abdul Heq c) Abuduhake d) Abdulheq Jundullah e) 'Abd Al-Haq f) Memetiming Memeti g) Memetiming Aximu h) Memetiming Qekeman i) Maiumaitimin Maimaiti j) Abdul Saimaiti k) Muhammad Ahmed Khaliq **Low quality a.k.a.:** a) Maimaiti Iman b) Muhelisi c) Qerman d) Saifuding **Nationality:** Chinese **Passport no.:** na **National identification no.:** Chinese national identity card number 653225197110100533 **Address:** na **Listed on:** 15 Apr. 2009 (amended on 13 Dec. 2011) **Other information:** Location (as at Apr. 2009): Pakistan. Overall leader and commander of the Eastern Turkistan Islamic Movement (QE.E.88.02.). Involved in fundraising and recruitment for this organization. Reportedly deceased in Pakistan in February 2010.

**QI.H.88.03. Name:** 1: GULBUDDIN 2: HEKMATYAR 3: na 4: na

**Name (original script):** گلبدین حکمتیار

**Title:** na **Designation:** na **DOB:** 1 Aug. 1949 **POB:** Kunduz Province, Afghanistan **Good quality a.k.a.:** a) Gulabudin Hekmatyar b) Golboddin Hikmetyar c) Gulbuddin Khekmatiyar d) Gulbuddin Hekmatiar e) Gulbuddin Hekhmartyar f) Gulbudin Hekmetyar **Low quality a.k.a.:** na **Nationality:** Afghan **Passport no.:** na **National identification no.:** na **Address:** na **Listed on:** 20 Feb. 2003 (amended on 16 May 2011) **Other information:** Belongs to the Kharoti tribe. Believed to be in the Afghanistan/Pakistan border area as at Jan. 2011. Father's name is Ghulam Qader. Review pursuant to Security Council resolution 1822 (2008) was concluded on 8 Jun. 2010.

**QI.H.29.01. Name:** 1: RI'AD 2: MUHAMMAD HASAN 3: MUHAMMAD 4: HIJAZI

**Name (original script):** رياض محمد حسن محمد الحجازي

**Title:** na **Designation:** na **DOB:** 30 Dec. 1968 **POB:** California, United States of America **Good quality a.k.a.:** a) Hijazi, Raed M. b) Al-Hawen, Abu-Ahmad c) Al-Shahid, Abu-Ahmad d) Raed Muhammad Hasan Muhammad Hijazi **Low quality a.k.a.:** a) Al-Maghribi, Rashid (The Moroccan) b) Al-Amriki, Abu-Ahmad (The American) **Nationality:** Jordanian **Passport no.:** na **National identification no.:** a) United States Social Security Number: 548-91-5411 b) National number 9681029476 **Address:** na **Listed on:** 17 Oct. 2001 (amended on 10 Apr. 2003, 16 May 2011) **Other information:** In custody in Jordan as at Mar. 2010. Father's name is Mohammad Hijazi. Mother's name is Sakina. Review pursuant to Security Council resolution 1822 (2008) was concluded on 21 Jun. 2010.

**QI.H.221.06. Name:** 1: JAMAL 2: HOUSNI 3: na 4: na

**Name (original script):** جمال حسني

**Title:** na **Designation:** na **DOB:** 22 Feb. 1983 **POB:** Morocco **Good quality a.k.a.:** a) Djamel II marocchino b) Jamal Al Maghrebi c) Hicham **Low quality a.k.a.:** na **Nationality:** na **Passport no.:** na **National identification no.:** na **Address:** a) Via Uccelli di Nemi n. 33, Milan b) via F. De Lemene n. 50, Milan **Listed on:** 2 Aug. 2006 (amended on 1 Sep. 2009) **Other information:** He is subject to Tribunale de Milano Custody Order n. 5236/02 R.G.N.R of 25 Nov. 2003 1511/02 R.G.GIP. Convicted and sentenced on 21 Sep. 2006 to seven years of detention by the Milan Assizes Court, Italy, for belonging to a criminal association with terrorist aims and receiving stolen goods. The sentence was confirmed on 17 Jul. 2007 by the Milan Assizes Appeal Court. In custody as at 16 Jun. 2009. Review pursuant to Security Council resolution 1822 (2008) was concluded on 20 Jul. 2009.

**QI.H.10.01. Name:** 1: ZAYN 2: AL-ABIDIN 3: MUHAMMAD 4: HUSSEIN

**Name (original script):** زين العابدين محمد حسين

**Title:** na **Designation:** na **DOB:** 12 Mar. 1971 **POB:** Riyadh, Saudi Arabia **Good quality a.k.a.:** a) Abd Al-Hadi Al-Wahab b) Zain Al-Abidin Muhammad Husain c) Zayn Al-Abidin Muhammad Husayn d) Zeinulabideen Muhammed Husein Abu Zubeidah **Low quality a.k.a.:** a) Abu Zubaydah b) Abu Zubaida c) Tariq Hani **Nationality:** Palestinian **Passport no.:** na **National identification no.:** na **Address:** na **Listed on:** 25 Jan. 2001 (amended on 10 Apr. 2003, 25 Jul. 2006, 23 Apr. 2007, 18 Jul. 2007, 27 Jul. 2007, 17 Jul. 2009, 16 Dec. 2010) **Other information:** Close associate of Usama bin Laden (QI.B.8.01) and facilitator of terrorist travel. In custody of the United States of America as at Jul. 2007. Review pursuant to Security Council resolution 1822 (2008) was concluded on 21 Jun. 2010.

**QI.H.195.05. Name:** 1: AL SAYYID 2: AHMED 3: FATHI 4: HUSSEIN ELIWAH

**Name (original script):** السيد احمد فتحي حسين عليوة

**Title:** na **Designation:** na **DOB:** a) 30 Jul. 1964 b) 30 Jan. 1964 **POB:** Suez, Egypt **Good quality a.k.a.:** a) Al Sayyid Ahmed Fathi Hussein Eliwa b) Al Sayyid Ahmed Fathi Hussein Alaiwah c) Al Sayyid Ahmed Fathi Hussein Elaiwa d) Al Sayyid Ahmed Fathi Hussein Ilewah e) Al Sayyid Ahmed Fathi Hussein Alaywah f) El Sayed Ahmad Fathi Hussein

Elaiwa **g**) Hatim **h**) Hisham **i**) Abu Umar **j**) El-Sayed Ilawah born on 3 Jul.1954 **Low quality a.k.a.:** na **Nationality:** Egyptian **Passport no.:** United Kingdom passport number RP0185179 issued on 11 Sep. 2001, expires on 11 Sep. 2011 (in the name of Al-Sayyid Ilawah) **National identification no.:** na **Address:** United Kingdom **Listed on:** 29 Sep. 2005 (amended on 6 Oct. 2005, 18 Aug. 2006, 13 Dec. 2011) **Other information:** Sentenced to 15 years imprisonment in Egypt in 1999. Father's name is Fathi Hussein Elaiwa. Member of Egyptian Islamic Jihad (QE.A.3.01). Review pursuant to Security Council resolution 1822 (2008) was concluded on 29 Jul. 2010.

**QI.I.67.02. Name:** 1: MOSTAFA 2: KAMEL 3: MOSTAFA 4: IBRAHIM

**Name (original script):** مصطفى كمال مصطفى ابراهيم

**Title:** na **Designation:** na **DOB:** 15 Apr. 1958 **POB:** Alexandria, Egypt **Good quality a.k.a.:** a) Mustafa Kamel Mustafa **b**) Adam Ramsey Eaman **c**) Kamel Mustapha Mustapha **d**) Mustapha Kamel Mustapha **e**) Abu Hamza **f**) Mostafa Kamel Mostafa **Low quality a.k.a.:** a) Abu Hamza Al-Masri **b**) Al-Masri, Abu Hamza **c**) Al-Misri, Abu Hamza **Nationality:** British **Passport no.:** na **National identification no.:** na **Address:** a) 9 Aldbourne Road, Shepherds Bush, London, W12 OLW, United Kingdom **b**) 8 Adie Road, Hammersmith, London, W6 OPW, United Kingdom **Listed on:** 24 Apr. 2002 (amended on 26 Nov. 2004, 25 Jul. 2006, 14 Mar. 2008, 21 Oct. 2010) **Other information:** In detention in the United Kingdom as at November 2009. Review pursuant to Security Council resolution 1822 (2008) was concluded on 22 Apr. 2010.

**QI.I.308.12. Name:** 1: ZAFAR 2: IQBAL 3: na 4: na

**Title:** na **Designation:** na **DOB:** 4 Oct. 1953 **POB:** na **Good quality a.k.a.:** a) Zaffer Iqbal **b**) Malik Zafar Iqbal Shehbaz **c**) Malik Zafar Iqbal Shahbaz **d**) Malik Zafar Iqbal **Low quality a.k.a.:** a) Zafar Iqbal Chaudhry **b**) Muhammad Zafar Iqbal **Nationality:** Pakistani **Passport no.:** Passport number DG5149481, issued on 22 Aug. 2006, expired on 21 Aug. 2011, passport booklet number A2815665 **National identification no.:** National identification number 35202-4135948-7 **b**) Alternate national identification number 29553654234 **Address:** Masjid al-Qadesia, 4 Lake Road, Lahore, Pakistan **Listed on:** 14 Mar. 2012 **Other information:** Senior leader and co-founder of Lashkar-e-Tayyiba (QE.L.118.05.) (LeT) who has held various senior leader positions in LeT and its front organization, Jamaat-ud-Dawa (JUD) (listed as an alias of LeT). As of 2010, in charge of LeT/JUD finance department, director of its education department and president of its medical wing. Other title: Professor.

**QI.I.87.03. Name:** 1: NURJAMAN 2: RIDUAN 3: ISAMUDDIN 4: na

**Title:** na **Designation:** na **DOB:** 4 Apr. 1964 **POB:** Cianjur, West Java, Indonesia **Good quality a.k.a.:** a) Hambali **b**) Nurjaman **c**) Isomuddin, Nurjaman Riduan **d**) Hambali Bin Ending **e**) Encep Nurjaman (birth name) **f**) Hambali Ending Hambali **g**) Isamuddin Riduan **h**) Isamudin Ridwan **Low quality a.k.a.:** na **Nationality:** Indonesian **Passport no.:** na **National identification no.:** na **Address:** na **Listed on:** 28 Jan. 2003 (amended on 2 Jul. 2007, 27 Jul. 2007, 16 May 2011) **Other information:** Senior leader of Jemaah Islamiyah (QE.J.92.02.). Brother of Gun Gun Rusman Gunawan (QI.G.218.06.). In custody of the United States of America, as of July 2007. Review pursuant to Security Council resolution 1822 (2008) was concluded on 13 Apr. 2010.

**QI.I.321.14. Name:** 1: MALIK 2: MUHAMMAD 3: ISHAQ 4: na

**Name (original script):** مالك محمد اسحاق

**Title:** na **Designation:** na **DOB:** Approximately 1959 **POB:** Rahim Yar Khan, Punjab Province, Pakistan **Good quality a.k.a.:** Malik Ishaq **Low quality a.k.a.:** na **Nationality:** Pakistani **Passport no.:** na **National identification no.:** na **Address:** Pakistan **Listed on:** 14 Mar. 2014 **Other information:** One of the founders and a current leader of Lashkar i Jhangvi (LJ) (QE.L.96.03). Physical description: heavy build with black eye colour, black hair colour and medium brown complexion with a heavy black beard. Photo available for inclusion in the INTERPOL-UN Security Council Special Notice.

**QI.J.180.04. Name:** 1: KHADAFI 2: ABUBAKAR 3: JANJALANI 4: na

**Title:** na **Designation:** na **DOB:** 3 Mar. 1975 **POB:** Isabela, Basilan, Philippines **Good quality a.k.a.:** a) Khadafy Janjalani **b**) Khaddafy Abubakar Janjalani **c**) Abu Muktar **Low quality a.k.a.:** na **Nationality:** Filipino **Passport no.:** na **National identification no.:** na **Address:** na **Listed on:** 22 Dec. 2004 (amended on 23 Feb. 2009) **Other information:** Reportedly deceased in 2006. Review pursuant to Security Council resolution 1822 (2008) was concluded on 29 Jul. 2010.

**QI.J.99.03. Name:** 1: KHALIL 2: BEN AHMED 3: BEN MOHAMED 4: JARRAYA

**Name (original script):** خليل بن احمد بن محمد جراية

**Title:** na **Designation:** na **DOB:** 8 Feb. 1969 **POB:** Sfax, Tunisia **Good quality a.k.a.:** a) Khalil Yarraya b) Ben Narvan Abdel Aziz, born 15 Aug. 1970 in Sereka, former Yugoslavia c) Abdel Aziz Ben Narvan, born 15 Aug. 1970 in Sereka, former Yugoslavia **Low quality a.k.a.:** a) Amro b) Omar c) Amrou d) Amr **Nationality:** Tunisian **Passport no.:** Tunisian passport number K989895, issued on 26 Jul. 1995 in Genoa, Italy, expired on 25 Jul. 2000 **National identification no.:** na **Address:** Nuoro, Italy **Listed on:** 25 Jun. 2003 (amended on 26 Nov. 2004, 20 Dec. 2005, 17 Oct. 2007, 16 Sep. 2008, 24 Mar. 2009, 10 Aug. 2009, 6 Aug. 2010) **Other information:** Detained in Italy since 9 Aug. 2008 for his implication in a case related to terrorism. Review pursuant to Security Council resolution 1822 (2008) was concluded on 15 Jun. 2010.

**QI.J.79.02. Name:** 1: WA'EL 2: HAMZA 3: ABD AL-FATAH 4: JULAIDAN

**Name (original script):** وائل حمزه عبدالفتاح جليدان

**Title:** na **Designation:** na **DOB:** a) 22 Jan. 1958 b) 20 Jan. 1958 **POB:** Al-Madinah, Saudi Arabia **Good quality a.k.a.:** a) Wa'il Hamza Julaidan b) Wa'el Hamza Jalaidan c) Wa'il Hamza Jalaidan d) Wa'el Hamza Jaladin e) Wa'il Hamza Jaladin f) Wail H.A. Jlidan **Low quality a.k.a.:** Abu Al-Hasan Al Madani **Nationality:** Saudi Arabian **Passport no.:** a) Saudi Arabian passport number A-992535 b) Passport number B 524420, issued on 15 Jul. 1998, expired on 22 May 2003 **National identification no.:** na **Address:** na **Listed on:** 11 Sep. 2002 (amended on 23 Apr. 2007, 23 Dec. 2010) **Other information:** Executive Director of Rabita Trust (QE.R.21.01.). Review pursuant to Security Council resolution 1822 (2008) was concluded on 20 May 2010.

**QI.J.114.03. Name:** 1: SALIM Y SALAMUDDIN 2: JULKIPLI 3: na 4: na

**Title:** na **Designation:** na **DOB:** 20 Jun. 1967 **POB:** Tulay, Jolo Sulu, Philippines **Good quality a.k.a.:** a) Kipli Sali b) Julkipli Salim **Low quality a.k.a.:** na **Nationality:** Filipino **Passport no.:** na **National identification no.:** na **Address:** na **Listed on:** 9 Sep. 2003 (amended on 23 Feb. 2009, 13 Dec. 2011) **Other information:** In detention in the Philippines as at May 2011. Review pursuant to Security Council resolution 1822 (2008) was concluded on 25 May 2010.

**QI.K.72.02. Name:** 1: MEHDI 2: BEN MOHAMED 3: BEN MOHAMED 4: KAMMOUN

**Name (original script):** المهدي بن محمد بن محمد كمون

**Title:** na **Designation:** na **DOB:** 3 Apr. 1968 **POB:** Tunis, Tunisia **Good quality a.k.a.:** na **Low quality a.k.a.:** Salmane **Nationality:** Tunisian **Passport no.:** Tunisian passport number M307707, issued on 12 Apr. 2000, expired on 11 Apr. 2005 **National identification no.:** na **Address:** Via Masina Number 7, Milan, Italy **Listed on:** 3 Sep. 2002 (amended on 20 Dec. 2005, 7 Jun. 2007, 23 Dec. 2010) **Other information:** Italian Fiscal Code: KMMMHD68D03Z352N. Deported from Italy to Tunisia on 22 July 2005. Serving an eight-year prison term in Tunisia for membership of a terrorist organization abroad as at Jan. 2010. Review pursuant to Security Council resolution 1822 (2008) was concluded on 21 Jun. 2010.

**QI.K.302.12. Name:** 1: MEVLÜT 2: KAR 3: na 4: na

**Title:** na **Designation:** na **DOB:** 25 Dec. 1978 **POB:** Ludwigshafen, Germany **Good quality a.k.a.:** Mevluet Kar **Low quality a.k.a.:** a) Abu Obaidah b) Obeidah Al Turki c) Al-Turki d) Al Turki Kyosev e) Yanal Yusov f) Abu Udejf el-Turki g) Abu Obejd el-Turki h) Abdurrahman Almanci **Nationality:** Turkish **Passport no.:** Turkish passport number TR-M842033 issued in Mainz, Germany by the Turkish Consulate General, issued on 2 May 2002, expired on 24 Jul. 2007 **National identification no.:** na **Address:** Güngören Merkez Mahallesi Toros Sokak 6/5, Istanbul, Turkey, (previous as at Aug. 2009) **Listed on:** 25 Jan. 2012 **Other information:** Associated with Islamic Jihad Group (QE.I.119.05.). Arrest warrant issued by the investigating judge of the German Federal Court of Justice on 17 Aug. 2009.

**QI.K.135.03. Name:** 1: DAWOOD 2: IBRAHIM 3: KASKAR 4: na

**Title:** Sheikh **Designation:** na **DOB:** 26 Dec. 1955 **POB:** a) Bombai b) Ratnagiri, India **Good quality a.k.a.:** a) Dawood Ebrahim b) Sheikh Dawood Hassan c) Abdul Hamid Abdul Aziz d) Anis Ibrahim e) Aziz Dilip f) Daud Hasan Shaikh Ibrahim Kaskar g) Daud Ibrahim Memon Kaskar h) Dawood Hasan Ibrahim Kaskar i) Dawood Ibrahim Memon j) Dawood Sabri k) Kaskar Dawood Hasan l) Shaikh Mohd Ismail Abdul Rehman m) Dawood Hassan Shaikh Ibrahim **Low quality a.k.a.:** a) Ibrahim Shaikh Mohd Anis b) Shaikh Ismail Abdul c) Hizrat **Nationality:** Indian **Passport no.:** a) Indian passport number A-333602 issued in Bombay, India, issued on 4 Jun. 1985 (passport subsequently revoked by the Government of India) b) Indian passport number M110522 issued in Bombay, issued on 13 Nov. 1978 c) Indian passport number R841697 issued in Bombay, issued on 26 Nov. 1981 d) Indian passport number F823692 (JEDDAH) issued by CGI in Jeddah, issued on 2 Sep. 1989 e) Indian passport number A501801 (BOMBAY), issued on 26 Jul. 1985

f) Indian passport number K560098 (BOMBAY), issued on 30 Jul. 1975 g) Passport number V57865 (BOMBAY), issued on 3 Oct. 1983 h) Passport number P537849 (BOMBAY), issued on 30 Jul. 1979 i) Passport number A717288 (MISUSE) issued in Dubai, issued on 18 Aug. 1985 j) Pakistani passport number G866537 (MISUSE) issued in Rawalpindi, issued on 12 Aug. 1991 k) Passport number C-267185 issued in Karachi in Jul.1996 l) Passport number H-123259 issued in Rawalpindi in Jul. 2001 m) Passport number G-869537 issued in Rawalpindi n) Passport number KC-285901 **National identification no.:** na **Address:** a) Karachi/Pakistan, White House, Near Saudi Mosque, Clifton b) House Nu 37 - 30th Street - defence, Housing Authority Karachi Pakistan c) Palatial bungalow in the hilly area of Noorabad in Karachi d) Property at Margalla Raod F 6/2 Street no. 22, House number 29 in Karachi **Listed on:** 3 Nov. 2003 (amended on 21 Mar. 2006, 25 Jul. 2006, 2 Jul. 2007, 11 Mar. 2010) **Other information:** International arrest warrant issued by the Government of India. Review pursuant to Security Council resolution 1822 (2008) was concluded on 20 May 2010.

**QI.K.306.12. Name:** 1: MUSTAFA 2: HAJJI 3: MUHAMMAD 4: KHAN

**Name (original script):** مصطفى حجي محمد خان

**Title:** na **Designation:** na **DOB:** a) Between Aug. and Sep. 1977 b) 1976 **POB:** a) Al-Madinah, Saudi Arabia b) Sangrar, Sindh Province, Pakistan **Good quality a.k.a.:** a) حسن غول (Hassan Ghul; Hassan Gul; Hasan Gul) b) Khalid Mahmud **Low quality a.k.a.:** a) Ahmad Shahji b) Mustafa Muhammad c) Abu Gharib al-Madani d) أبو شيماء (Abu-Shaima; Abu-Shayma) **Nationality:** a) Pakistani b) Saudi Arabian **Passport no.:** na **National identification no.:** na **Address:** na **Listed on:** 14 Mar. 2012 **Other information:** Al-Qaida (QE.A.4.01.) facilitator, courier and operative. As of 2010, facilitated activities for senior Pakistan-based Al-Qaida operatives.

**QI.K.73.02. Name:** 1: SAMIR 2: ABD EL LATIF 3: EL SAYED 4: KISHK

**Name (original script):** سمير عبد اللطيف السيد كشك

**Title:** na **Designation:** na **DOB:** 14 May 1955 **POB:** Gharbia, Egypt **Good quality a.k.a.:** Samir Abdellatif el Sayed Keshk **Low quality a.k.a.:** na **Nationality:** Egyptian **Passport no.:** na **National identification no.:** na **Address:** na **Listed on:** 3 Sep. 2002 (amended on 26 Nov. 2004, 7 Jun. 2007, 16 May 2011) **Other information:** Deported from Italy to Egypt on 2 July 2003. Review pursuant to Security Council resolution 1822 (2008) was concluded on 16 Jul. 2010.

**QI.L.190.05. Name:** 1: ABDELKADER 2: LAAGOUB 3: na 4: na

**Name (original script):** عبد القادر لاغوب

**Title:** na **Designation:** na **DOB:** 23 Apr. 1966 **POB:** Casablanca, Morocco **Good quality a.k.a.:** na **Low quality a.k.a.:** Rachid **Nationality:** Moroccan **Passport no.:** Moroccan passport number D-379312 **National identification no.:** Moroccan national identity card DE- 473900 **Address:** Number 4, Via Europa, Paderno Ponchielli, Cremona, Italy **Listed on:** 29 Jul. 2005 (amended on 21 Dec. 2007, 13 Dec. 2011) **Other information:** Italian Fiscal code: LGBBLK66D23Z330U. Father's name is Mamoune Mohamed. Mother's name is Fatna Ahmed. Review pursuant to Security Council resolution 1822 (2008) was concluded on 8 Jun. 2010.

**QI.L.319.13. Name:** 1: MOHAMED 2: LAHBOUS 3: na 4: na

**Name (original script):** محمد لخبوس

**Title:** na **Designation:** na **DOB:** 1978 **POB:** Mali **Good quality a.k.a.:** a) Mohamed Ennouini b) Hassan c) Hocine **Low quality a.k.a.:** na **Nationality:** Malian **Passport no.:** na **National identification no.:** na **Address:** Mali **Listed on:** 24 Oct. 2013 **Other information:** Member of the Mouvement pour l'Unification et le Jihad en Afrique de l'Ouest (MUJAO) (QE.M.134.12).

**QI.L.264.08. Name:** 1: ZAKI-UR-REHMAN 2: LAKHVI 3: na 4: na

**Title:** na **Designation:** na **DOB:** 30 Dec. 1960 **POB:** Okara, Pakistan **Good quality a.k.a.:** a) Zakir Rehman Lakvi b) Zaki Ur-Rehman Lakvi c) Kaki Ur-Rehman d) Zakir Rehman e) Abu Waheed Irshad Ahmad Arshad **Low quality a.k.a.:** Chachajee **Nationality:** Pakistani **Passport no.:** na **National identification no.:** Pakistani national identification number 61101-9618232-1 **Address:** a) Barahkoh, P.O. DO, Tehsil and District Islamabad, Pakistan, (location as at May 2008) b) Chak No. 18/IL, Rinala Khurd, Tehsil Rinala Khurd, District Okara, Pakistan, (previous location) **Listed on:** 10 Dec. 2008 **Other information:** Chief of operations of Lashkar-e-Tayyiba (listed under permanent reference number QE.L.118.05.).



**QI.L.247.08. Name:** 1: RUBEN 2: PESTANO 3: LAVILLA, JR 4: na

**Title:** Sheik **Designation:** na **DOB:** 4 Oct. 1972 **POB:** Sitio Banga Maiti, Barangay Tranghawan, Lambunao, Iloilo, Philippines **Good quality a.k.a.:** a) Reuben Lavilla b) Sheik Omar c) Mile D Lavilla d) Reymund Lavilla e) Ramo Lavilla f) Mike de Lavilla g) Abdullah Muddaris h) Ali Omar i) Omar Lavilla j) Omar Labella **Low quality a.k.a.:** a) So b) Eso c) Junjun **Nationality:** Filipino **Passport no.:** a) Filipino passport number MM611523 (2004) b) Filipino passport number EE947317 (2000-2001) c) Filipino passport number P421967 (1995-1997) **National identification no.:** na **Address:** 10th Avenue, Caloocan City, Philippines **Listed on:** 4 Jun. 2008 (amended on 16 Sep. 2008, 13 Dec. 2011) **Other information:** Spiritual leader of the Rajah Solaiman Movement (QE.R.128.08.). Associated with Khadafi Abubakar Janjalani (QI.J.180.04.) and the International Islamic Relief Organization, Philippines, branch offices (QE.I.126.06.). In detention in the Philippines as of May 2011. Review pursuant to Security Council resolution 1822 (2008) was concluded on 13 May 2010.

**QI.L.155.04. Name:** 1: DJAMEL 2: LOUNICI 3: na 4: na

**Name (original script):** جمال لونييسي

**Title:** na **Designation:** na **DOB:** 1 Feb. 1962 **POB:** Algiers, Algeria **Good quality a.k.a.:** Jamal Lounici **Low quality a.k.a.:** na **Nationality:** Algerian **Passport no.:** na **National identification no.:** na **Address:** Algeria **Listed on:** 16 Jan. 2004 (amended on 7 Apr. 2008, 2 Dec. 2008, 30 Jan. 2009, 16 May 2011) **Other information:** Father's name is Abdelkader. Mother's name is Johra Birouh. Returned from Italy to Algeria where he resides since Nov. 2008. Son in law of Othman Deramchi (QI.D.164.04). Review pursuant to Security Council resolution 1822 (2008) was concluded on 27 Jul. 2010.

**QI.M.286.10. Name:** 1: HAKIMULLAH 2: MEHSUD 3: na 4: na

**Name (original script):** حكيم الله محسود

**Title:** na **Designation:** na **DOB:** Approximately 1979 **POB:** Pakistan **Good quality a.k.a.:** Hakeemullah Mehsud **Low quality a.k.a.:** Zulfiqar **Nationality:** Pakistani **Passport no.:** na **National identification no.:** na **Address:** na **Listed on:** 21 Oct. 2010 (amended on 29 Jul. 2011) **Other information:** Reportedly born in South Waziristan, Pakistan, and believed to be residing in Pakistan. Leader of Tehrik-e Taliban Pakistan (TTP) (QE.T.132.11.), an organization based in the tribal areas along the Afghanistan/Pakistan border.

**QI.M.206.05. Name:** 1: IBRAHIM 2: MOHAMED KHALIL 3: na 4: na

**Name (original script):** ابراهيم محمد خليل

**Title:** na **Designation:** na **DOB:** 2 Jul. 1975 **POB:** Day Az-Zawr, Syria **Good quality a.k.a.:** a) Khalil Ibrahim Jassem, born 2 May 1972 in Baghdad, Iraq b) Khalil Ibrahim Mohammad, born 3 Jul. 1975 in Mosul, Iraq c) Khalil Ibrahim Al Zafiri, born 1972 d) Khalil, born 2 May 1975 **Low quality a.k.a.:** na **Nationality:** Syrian **Passport no.:** Temporary suspension of deportation No. T04338017 issued by Alien's Office of the City of Mainz, expired on 8 May 2013 **National identification no.:** na **Address:** Refugee shelter Alte Ziegelei, 55128 Mainz, Germany **Listed on:** 6 Dec. 2005 (amended on 25 Jan. 2010, 13 Dec. 2011, 6 Aug. 2013) **Other information:** Sentenced to 7 years of imprisonment in Germany on 6 Dec. 2007. Released on 30 December 2012. Review pursuant to Security Council resolution 1822 (2008) was concluded on 5 Oct. 2009.

**QI.A.202.05. Name:** 1: MAZEN 2: SALAH 3: MOHAMMED 4: na

**Name (original script):** مازن صلاح محمد

**Title:** na **Designation:** na **DOB:** 18 May 1981 **POB:** Arbil, Iraq **Good quality a.k.a.:** a) Mazen Ali Hussein, born 1 Jan. 1982 in Baghdad, Iraq b) Issa Salah Muhamad, born 1 Jan. 1980 **Low quality a.k.a.:** na **Nationality:** Iraqi **Passport no.:** German travel document ("Reiseausweis") A 0144378 (revoked as at Sep. 2012) **National identification no.:** na **Address:** 94051 Hauzenberg, Germany **Listed on:** 6 Dec. 2005 (amended on 21 Oct. 2008, 13 Dec. 2011, 15 Nov. 2012) **Other information:** Member of Ansar Al-Islam (QE.A.98.03). Released from custody in Germany on 18 May 2012. Review pursuant to Security Council resolution 1822 (2008) was concluded on 30 Jul. 2009.

**QI.Y.126.03. Name:** 1: YUNOS 2: UMPARA 3: MOKLIS 4: na

**Title:** na **Designation:** na **DOB:** 7 Jul. 1966 **POB:** Lanao del Sur, Philippines **Good quality a.k.a.:** a) Muklis Yunos b) Mukhlis Yunos (previously listed as) c) Saifullah Mukhlis Yunos d) Saifulla Moklis Yunos **Low quality a.k.a.:** Hadji Onos **Nationality:** Filipino **Passport no.:** na **National identification no.:** na **Address:** Philippines **Listed on:** 9 Sep. 2003 (amended on 9 Sep. 2005, 23 Feb. 2009, 3 Jun. 2009, 16 May 2011) **Other information:** Sentenced to life without parole in the Philippines on 23 Jan. 2009 for his involvement in the bombings of 30 Dec. 2000 in Manila, the Philippines.

Review pursuant to Security Council resolution 1822 (2008) was concluded on 25 May 2010.

**QI.M.147.03. Name:** 1: MOHAMED 2: AMIN 3: MOSTAFA 4: na

**Name (original script):** محمد أمين مصطفى

**Title:** na **Designation:** na **DOB:** 11 Oct. 1975 **POB:** Kirkuk, Iraq **Good quality a.k.a.:** na **Low quality a.k.a.:** na **Nationality:** na **Passport no.:** na **National identification no.:** na **Address:** Via della Martinella 132, Parma, Italy (Domicile) **Listed on:** 12 Nov. 2003 (amended on 9 Sep. 2005, 7 Jun. 2007, 16 May 2011) **Other information:** Under administrative control measure in Italy scheduled to expire on 15 Jan. 2012. Review pursuant to Security Council resolution 1822 (2008) was concluded on 21 Jun. 2010.

**QI.M.129.03. Name:** 1: DJAMEL 2: MOUSTFA 3: na 4: na

**Name (original script):** جمال مصطفى

**Title:** na **Designation:** na **DOB:** 28 Sep. 1973 **POB:** Tiaret, Algeria **Good quality a.k.a.:** a) Ali Barkani, born 22 Aug. 1973 in Morocco b) Kalad Belkasam, born 31 Dec. 1979 c) Mostafa Djamel, born 31 Dec. 1979 in Maskara, Algeria d) Mostefa Djamel, born 26 Sep. 1973 in Mahdia, Algeria e) Mustafa Djamel, born 31 Dec. 1979 in Mascara, Algeria f) Balkasam Kalad, born 26 Aug. 1973 in Algiers, Algeria g) Bekasam Kalad, born 26 Aug. 1973 in Algiers, Algeria h) Belkasam Kalad, born 26 Aug. 1973 in Algiers, Algeria i) Damel Mostafa, born 31 Dec. 1979 in Algiers, Algeria j) Djamel Mostafa, born 31 Dec. 1979 in Maskara, Algeria k) Djamel Mostafa, born 10 Jun. 1982 l) Djamel Mostafa, born 31 Dec. 1979 in Maskara, Algeria m) Djamel Mostafa, born 31 Dec. 1979 in Algiers, Algeria n) Fjamel Moustfa, born 28 Sep. 1973 in Tiaret, Algeria o) Djamel Mustafa, born 31 Dec. 1979 p) Djamel Mustafa, born 31 Dec. 1979 in Mascara, Algeria **Low quality a.k.a.:** Mustafa **Nationality:** Algerian **Passport no.:** a) Counterfeit Danish driving licence no. 20645897, made out to Ali Barkani, born on 22 Aug. 1973 in Morocco b) Algerian birth certificate, issued for Djamel Mostefa, born on 25 Sep. 1973 in Mehdiya, Tiaret province, Algeria **National identification no.:** na **Address:** Algeria **Listed on:** 23 Sep. 2003 (amended on 7 Sep. 2007, 7 Apr. 2008, 25 Jan. 2010, 16 May 2011) **Other information:** Father's name is Djelali Moustfa. Mother's name is Kadeja Mansore. Associated with Ismail Abdallah Sbaïtan Shalabi (QI.S.128.03), Mohamed Abu Dhess (QI.A.130.03) and Aschraf Al-Dagma (QI.A.132.03). Deported from Germany to Algeria in Sep. 2007. Review pursuant to Security Council resolution 1822 (2008) was concluded on 19 Oct. 2009.

**QI.A.238.08. Name:** 1: MUBARAK 2: MUSHAKHAS 3: SANAD 4: MUBARAK AL-BATHALI

**Name (original script):** مبارك مشخص سند مبارك البذالي

**Title:** na **Designation:** na **DOB:** 1 Oct. 1961 **POB:** Kuwait **Good quality a.k.a.:** a) Mubarak Mishkhis Sanad Al-Bathali b) Mubarak Mishkhis Sanad Al-Badhali c) Mubarak Al-Bathali d) Mubarak Mishkhas Sanad Al-Bathali e) Mubarak Mishkhas Sanad Al-Bazali f) Mobarak Meshkhas Sanad Al-Bthaly **Low quality a.k.a.:** Abu Abdulrahman **Nationality:** Kuwaiti **Passport no.:** a) Kuwaiti passport number 101856740, issued on 12 May 2005 and expired on 11 May 2007 b) Kuwaiti passport number 002955916 **National identification no.:** Kuwaiti national identification number 261122400761 **Address:** Al-Salibekhat area, Kuwait, (residence as at Mar. 2009) **Listed on:** 16 Jan. 2008 (amended on 1 Jul. 2008, 23 Jul. 2008, 25 Jan. 2010) **Other information:** Review pursuant to Security Council resolution 1822 (2008) was concluded on 14 Sep. 2009.

**QI.M.272.09. Name:** 1: MOHAMMED 2: YAHYA 3: MUJAHID 4: na

**Title:** na **Designation:** na **DOB:** 12 Mar. 1961 **POB:** Lahore, Punjab Province, Pakistan **Good quality a.k.a.:** Mohammad Yahya Aziz **Low quality a.k.a.:** na **Nationality:** Pakistani **Passport no.:** na **National identification no.:** Pakistani national identification number 35404-1577309-9 **Address:** na **Listed on:** 29 Jun. 2009 **Other information:** Associated with Lashkar-e-Tayyiba (QE.L.118.05.). In detention as at June 2009.

**QI.M.119.03. Name:** 1: ARIS 2: MUNANDAR 3: na 4: na

**Title:** na **Designation:** na **DOB:** a) 1 Jan. 1971 b) Between 1962 and 1968 **POB:** Sambi, Boyolali, Java, Indonesia **Good quality a.k.a.:** na **Low quality a.k.a.:** na **Nationality:** na **Passport no.:** na **National identification no.:** na **Address:** na **Listed on:** 9 Sep. 2003 (amended on 9 Sep. 2005, 4 Oct. 2006) **Other information:** Review pursuant to Security Council resolution 1822 (2008) was concluded on 25 May 2010.

**QI.M.120.03. Name:** 1: ABDUL HAKIM 2: MURAD 3: na 4: na

**Name (original script):** عبد الحكيم مراد

**Title:** na **Designation:** na **DOB:** 11 Apr. 1968 **POB:** Kuwait **Good quality a.k.a.:** a) Murad, Abdul Hakim Hasim b) Murad, Abdul Hakim Ali Hashim c) Murad, Abdul Hakim al Hashim d) Saeed Akman e) Saeed Ahmed f) Abdul Hakim Ali

al-Hashem Murad **Low quality a.k.a.:** na **Nationality:** Pakistani **Passport no.:** a) Pakistani passport number 665334 issued in Kuwait b) Pakistani passport number 917739 issued in Pakistan on 8 Aug. 1991, expired on 7 Aug. 1996 **National identification no.:** na **Address:** na **Listed on:** 9 Sep. 2003 (amended on 16 May 2011) **Other information:** Mother's name is Aminah Ahmad Sher al-Baloushi. In custody of the United States. Review pursuant to Security Council resolution 1822 (2008) was concluded on 25 May 2010.

**QI.M.196.05. Name:** 1: ALI 2: SAYYID 3: MUHAMED 4: MUSTAFA BAKRI

**Name (original script):** علي السيد محمد مصطفى بكري

**Title:** na **Designation:** na **DOB:** 18 Apr. 1966 **POB:** Beni-Suef, Egypt **Good quality a.k.a.:** a) Ali Salim b) Abd Al-Aziz al-Masri **Low quality a.k.a.:** na **Nationality:** Egyptian **Passport no.:** na **National identification no.:** na **Address:** na **Listed on:** 29 Sep. 2005 (amended on 13 Dec. 2011) **Other information:** Member of the Shura Council of Al-Qaida (QE.A.4.01.) and Egyptian Islamic Jihad (QE.A.3.01). Review pursuant to Security Council resolution 1822 (2008) was concluded on 1 Jun. 2010.

**QI.N.280.10. Name:** 1: TAYEB 2: NAIL 3: na 4: na

**Name (original script):** الطيب نايل

**Title:** na **Designation:** na **DOB:** Approximately 1972 **POB:** Faidh El Batma, Djelfa, Algeria **Good quality a.k.a.:** a) Djaafar Abou Mohamed (جعفر ابو محمد) b) Abou Mouhadjir (ابو مهاجر) c) Mohamed Ould Ahmed Ould Ali, born in 1976 **Low quality a.k.a.:** na **Nationality:** Algerian **Passport no.:** na **National identification no.:** na **Address:** Mali **Listed on:** 22 Apr. 2010 (amended on 15 Apr. 2014) **Other information:** Convicted in absentia by Algerian tribunal on 28 Mar. 1996. Algerian international arrest warrant number 04/09 of 6 Jun. 2009 issued by the Tribunal of Sidi Mhamed, Algiers, Algeria. Algerian extradition request number 2307/09 of 3 Sep. 2009, presented to Malian authorities. Father's name was Benazouz Nail. Mother's name is Belkheiri Oum El Kheir. Member of The Organization of Al-Qaida in the Islamic Maghreb (QE.T.14.01.)

**QI.O.314.13. Name:** 1: ABDERRAHMANE 2: OULD EL AMAR 3: na 4: na

**Name (original script):** عبد الرحمن ولد العامر

**Title:** na **Designation:** na **DOB:** Between 1977 and 1982 **POB:** Tabankort, Mali **Good quality a.k.a.:** a) Ahmed el Tilemsi b) Abderrahmane Ould el Amar Ould Sidahmed Loukbeiti c) Ahmad Ould Amar **Low quality a.k.a.:** na **Nationality:** Malian **Passport no.:** na **National identification no.:** na **Address:** a) Gao, Mali b) Tabankort, Mali c) In Khalil, Mali d) Al Moustarat, Mali **Listed on:** 22 Feb. 2013 **Other information:** Leader of the Mouvement pour l'Unification et le Jihad en Afrique de l'Ouest (MUJAO) (QE.M.134.12.). Member of The Organization of Al-Qaida in the Islamic Maghreb (QE.T.14.01.). Arrested in April 2005 in Mauritania, escaped from Nouakchott jail on 26 Apr. 2006. Re-arrested in Sep. 2008 in Mali and released on 15 Apr. 2009. Associated with Mokhtar Belmokhtar (QI.B.136.03.). Father's name is Leewemere.

**QI.O.315.13. Name:** 1: HAMADA 2: OULD MOHAMED EL KHAIRY 3: na 4: na

**Name (original script):** حماده ولد محمد الخيري

**Title:** na **Designation:** na **DOB:** 1970 **POB:** Nouakchott, Mauritania **Good quality a.k.a.:** a) Hamada Ould Mohamed Lemine Ould Mohamed el Khairy b) Ould Kheirou c) Hamad el Khairy **Low quality a.k.a.:** Abou QumQum **Nationality:** a) Mauritanian b) Malian **Passport no.:** Malian passport number A1447120, expired on 19 Oct. 2011 **National identification no.:** na **Address:** Gao, Mali **Listed on:** 22 Feb. 2013 **Other information:** Leader of the Mouvement pour l'Unification et le Jihad en Afrique de l'Ouest (MUJAO) (QE.M.134.12.). Has provided logistical support to the Sahelian group Al Moulathamine, linked with the Organization of Al-Qaida in the Islamic Maghreb (QE.T.14.01.). International arrest warrant issued by Mauritania. Mother's name is Tijal Bint Mohamed Dadda.

**QI.O.298.11. Name:** 1: ABD AL-RAHMAN 2: OULD MUHAMMAD AL-HUSAYN 3: OULD MUHAMMAD SALIM 4: na

**Name (original script):** عبد الرحمن ولد محمد الحسين ولد محمد سليم

**Title:** na **Designation:** na **DOB:** Approximately 1981 **POB:** Saudi Arabia **Good quality a.k.a.:** a) Abdarrahmane ould Mohamed el Houcein ould Mohamed Salem b) شيخ يونس الموريتاني (Yunis al-Mauritani; Younis al-Mauritani; Sheikh Yunis al-Mauritani; Shaykh Yunis the Mauritanian) **Low quality a.k.a.:** a) Salih the Mauritanian b) Mohamed Salem c) Youssef Ould Abdel Jelil d) El Hadj Ould Abdel Ghader e) Abdel Khader f) Abou Souleimane g) Chingheity **Nationality:** Mauritanian **Passport no.:** na **National identification no.:** na **Address:** na **Listed on:** 15 Sep. 2011 **Other information:** Pakistan-based senior Al-Qaida (QE.A.4.01.) leader also associated with The Organization of Al-Qaida in the Islamic Maghreb (QE.T.14.01.). Wanted by Mauritanian authorities.

**QI.P.242.08. Name:** 1: DINNO AMOR 2: ROSALEJOS 3: PAREJA 4: na

**Title:** na **Designation:** na **DOB:** 19 Jul. 1981 **POB:** Cebu City, Philippines **Good quality a.k.a.:** a) Johnny Pareja b) Khalil Pareja **Low quality a.k.a.:** a) Mohammad b) Akmad c) Mighty d) Rash **Nationality:** Filipino **Passport no.:** na **National identification no.:** na **Address:** Atimonana, Quezon Province, Philippines **Listed on:** 4 Jun. 2008 (amended on 3 Jun. 2009, 13 Dec. 2011) **Other information:** Member of the Rajah Solaiman Movement (QE.R.128.08.). Father's name is Amorsolo Jarabata Pareja. Mother's name is Leonila Cambaya Rosalejos. Review pursuant to Security Council resolution 1822 (2008) was concluded on 13 May 2010.

**QI.P.294.11. Name:** 1: UMAR 2: PATEK 3: na 4: na

**Title:** na **Designation:** na **DOB:** 20 Jul. 1966 **POB:** Central Java, Indonesia **Good quality a.k.a.:** a) Omar Patek b) Mike Arsalan c) Hisyam Bin Zein d) Anis Alawi Jafar **Low quality a.k.a.:** a) Pa'tek b) Pak Taek c) Umar Kecil d) Al Abu Syekh Al Zacky e) Umangis Mike **Nationality:** Indonesian **Passport no.:** na **National identification no.:** na **Address:** Indonesia **Listed on:** 19 Jul. 2011 (amended on 23 Feb. 2012) **Other information:** Senior member of Jemaah Islamiyah (QE.J.92.02.) involved in planning and funding multiple terrorist attacks in the Philippines and Indonesia. Provided training to Abu Sayyaf Group (QE.A.1.01.). In custody in Indonesia as at Feb. 2012.

**QI.Q.271.09. Name:** 1: ARIF 2: QASMANI 3: na 4: na

**Title:** na **Designation:** na **DOB:** Approximately 1944 **POB:** Pakistan **Good quality a.k.a.:** a) Muhammad Arif Qasmani b) Muhammad 'Arif Qasmani c) Mohammad Arif Qasmani d) Arif Umer e) Qasmani Baba f) Memon Baba g) Baba Ji **Low quality a.k.a.:** na **Nationality:** Pakistani **Passport no.:** na **National identification no.:** na **Address:** House Number 136, KDA Scheme No. 1, Tipu Sultan Road, Karachi, Pakistan **Listed on:** 29 Jun. 2009 **Other information:** Associated with Lashkar-e-Tayyiba (QE.L.118.05.) and Al-Qaida (QE.A.4.01.). In detention as at June 2009.

**QI.Q.297.11. Name:** 1: HASSAN 2: MUHAMMAD 3: ABU BAKR 4: QAYED

**Name (original script):** حسن محمد أبو بكر قايد

**Title:** na **Designation:** na **DOB:** a) 1963 b) 1969 **POB:** Marzaq, Libyan Arab Jamahiriya **Good quality a.k.a.:** a) Hasan Muhammad Abu Bakr Qa'id b) الحسين محمد أبو بكر قايد (Al-Husain Muhammad Abu Bakr Qayid) c) Muhammad Hassan Qayed d) Mohammad Hassan Abu Bakar e) Hasan Qa'id f) Muhammad Hasan al-Libi **Low quality a.k.a.:** a) Abu Yahya al-Libi (أبو يحيى الليبي) (prominently known by this nom de guerre) b) Abu Yahya c) Sheikh Yahya d) Abu Yahya Yunis al Sahrawi e) Abu Yunus Rashid f) al-Rashid g) Abu al-Widdan h) يونس الصحراوي (Younes Al-Sahrawi; Younes Al-Sahraoui) **Nationality:** Libyan **Passport no.:** Libyan passport number 681819/88 **National identification no.:** Libyan national identification number 5617/87 **Address:** Wadi 'Ataba, Libya, (previous location in 2004) **Listed on:** 15 Sep. 2011 **Other information:** Senior Al-Qaida (QE.A.4.01.) leader who, as of late 2010, was responsible for the supervision of other senior Al-Qaida officials. As of 2010, Al-Qaida commander in Pakistan and provider of financial assistance to Al-Qaida fighters in Afghanistan. Has also been a top Al-Qaida strategist and field commander in Afghanistan, and instructor at Al-Qaida training camp. Mother's name is Al-Zahra Amr Al-Khouri (a.k.a. al Zahra' 'Umar).

**QI.R.303.12. Name:** 1: FAZAL 2: RAHIM 3: na 4: na

**Name (original script):** فضل رحيم

**Title:** na **Designation:** na **DOB:** a) 5 Jan. 1974 b) 1977 c) 1975 d) 24 Jan. 1973 **POB:** Kabul, Afghanistan **Good quality a.k.a.:** a) Fazel Rahim; Fazil Rahim b) Fazil Rahman **Low quality a.k.a.:** na **Nationality:** Afghan **Passport no.:** Afghan passport number R512768 **National identification no.:** na **Address:** a) Afghanistan/Pakistan border region (previous address) b) A2, City Computer Plaza, Shar-e-Now, Kabul, Afghanistan (previous address) c) Microrayan 3rd, Apt. 45, block 21, Kabul, Afghanistan (previous address) **Listed on:** 6 Mar. 2012 **Other information:** Was a financial facilitator for the Islamic Movement of Uzbekistan (QE.I.10.01.) and Al-Qaida (QE.A.4.01.). Was associated with Tohir Abdulkhalilovich Yuldashev. As of late 2010, in custody of Pakistani authorities. Father's name is Fazal Ahmad.

**QI.R.103.03. Name:** 1: AHMED 2: HOSNI 3: RARRBO 4: na

**Name (original script):** احمد حسني راربو

**Title:** na **Designation:** na **DOB:** 12 Sep. 1974 **POB:** Bologhine, Algeria **Good quality a.k.a.:** a) Rarrbo Abdallah b) Rarrbo Abdullah c) Rarrbo Ahmed Hosni, born 12 Sep. 1974 in France **Low quality a.k.a.:** na **Nationality:** Algerian **Passport no.:** na **National identification no.:** na **Address:** Algeria **Listed on:** 25 Jun. 2003 (amended on 17 Oct. 2007, 7 Apr. 2008, 21 Oct. 2010) **Other information:** Review pursuant to Security Council resolution 1822 (2008)

was concluded on 15 Jun. 2010.

**QI.A.199.05. Name:** 1: ATA 2: ABDOULAZIZ 3: RASHID 4: na

**Name (original script):** عطا عبد العزيز رشيد

**Title:** na **Designation:** na **DOB:** 1 Dec. 1973 **POB:** Sulaimaniya, Iraq **Good quality a.k.a.:** a) Abdoulaziz Ata Rashid, born 1 Dec. 1973 **b)** Ata Abdoul Aziz Barzingy **Low quality a.k.a.:** na **Nationality:** Iraqi **Passport no.:** None **National identification no.:** na **Address:** In prison in Germany **Listed on:** 6 Dec. 2005 (amended on 21 Oct. 2008, 13 Dec. 2011, 6 Aug. 2013) **Other information:** Member of Ansar Al-Islam (QE.A.98.03.). Sentenced on 15 Jul. 2008 to 10 years imprisonment in Germany. Review pursuant to Security Council resolution 1822 (2008) was concluded on 30 Jul. 2009.

**QI.R.75.02. Name:** 1: ABDELHALIM 2: HAFED 3: ABDELFATTAH 4: REMADNA

**Name (original script):** عبدالحليم حافظ عبدالفتاح رمادنا

**Title:** na **Designation:** na **DOB:** 2 Apr. 1966 **POB:** Biskra, Algeria **Good quality a.k.a.:** Abdelhalim Remadna **Low quality a.k.a.:** Jalloul **Nationality:** Algerian **Passport no.:** na **National identification no.:** na **Address:** Algeria **Listed on:** 3 Sep. 2002 (amended on 12 Apr. 2006, 7 Apr. 2008, 3 Jun. 2009, 25 Jan. 2010, 23 Dec. 2010) **Other information:** Deported from Italy to Algeria on 12 Aug. 2006. Review pursuant to Security Council resolution 1822 (2008) was concluded on 8 Dec. 2009.

**QI.R.219.06. Name:** 1: TAUFIK 2: RIFKI 3: na 4: na

**Title:** na **Designation:** na **DOB:** 19 Aug. 1974 **POB:** Dacusuman Surakarta, Central Java, Indonesia **Good quality a.k.a.:** a) Refke, Taufek **b)** Rifqi, Taufik **c)** Rifqi, Tawfiq **d)** Ami Iraq **e)** Ami Irza **f)** Amy Erja **g)** Ammy Erza **h)** Ammy Izza **i)** Ami Kusoman **j)** Abu Obaida **k)** Abu Obaidah **l)** Abu Obeida **m)** Abu Ubaidah **n)** Obaidah **o)** Abu Obayda **p)** Izza Kusoman **q)** Yacub, Eric **Low quality a.k.a.:** na **Nationality:** Indonesian **Passport no.:** na **National identification no.:** na **Address:** Philippines **Listed on:** 21 Apr. 2006 (amended on 13 Dec. 2011) **Other information:** In detention in the Philippines as at May 2011. Review pursuant to Security Council resolution 1822 (2008) was concluded on 8 Jun. 2010.

**QI.R.150.03. Name:** 1: AL-AZHAR 2: BEN KHALIFA 3: BEN AHMED 4: ROUINE

**Name (original script):** الأزهر بن خليفة بن احمد روين

**Title:** na **Designation:** na **DOB:** 20 Nov. 1975 **POB:** Sfax, Tunisia **Good quality a.k.a.:** na **Low quality a.k.a.:** a) Salmane **b)** Lazhar **Nationality:** Tunisian **Passport no.:** Tunisian passport number P182583, issued on 13 Sep. 2003, expired on 12 Sep. 2007 **National identification no.:** na **Address:** Tunisia **Listed on:** 12 Nov. 2003 (amended on 20 Dec. 2005, 21 Dec. 2007, 30 Jan. 2009, 16 May 2011) **Other information:** Sentenced to six years and ten months of imprisonment for membership of a terrorist association by the Appeal Court of Milan, Italy, on 7 Feb. 2008. Considered a fugitive from justice by the Italian authorities as at Jul. 2008. Under administrative control measure in Tunisia as at 2010. Review pursuant to Security Council resolution 1822 (2008) was concluded on 21 Jun. 2010.

**QI.R.186.05. Name:** 1: ABU 2: RUSDAN 3: na 4: na

**Title:** na **Designation:** na **DOB:** 16 Aug. 1960 **POB:** Kudus, Central Java, Indonesia **Good quality a.k.a.:** a) Abu Thoriq **b)** Rusdjan **c)** Rusjan **d)** Rusydan **e)** Thoriquddin **f)** Thoriquiddin **g)** Thoriquidin **h)** Toriquuddin **Low quality a.k.a.:** na **Nationality:** na **Passport no.:** na **National identification no.:** na **Address:** na **Listed on:** 16 May 2005 **Other information:** Review pursuant to Security Council resolution 1822 (2008) was concluded on 8 Jun. 2010.

**QI.A.2.01. Name:** 1: AMIN 2: MUHAMMAD 3: UL HAQ 4: SAAM KHAN

**Title:** na **Designation:** na **DOB:** 1960 **POB:** Nangarhar Province, Afghanistan **Good quality a.k.a.:** a) Al-Haq, Amin **b)** Amin, Muhammad **Low quality a.k.a.:** a) Dr. Amin **b)** Ul-Haq, Dr. Amin **Nationality:** Afghan **Passport no.:** na **National identification no.:** na **Address:** na **Listed on:** 25 Jan. 2001 (amended on 18 Jul. 2007, 16 Dec. 2010) **Other information:** Security coordinator for Usama bin Laden (QI.B.8.01). Repatriated to Afghanistan in February 2006. Review pursuant to Security Council resolution 1822 (2008) was concluded on 15 Jun. 2010.

**QI.A.20.01. Name:** 1: MOHAMMAD 2: HAMDI 3: MOHAMMAD 4: SADIQ AL-AHDAL

**Name (original script):** محمد حمدي محمد صادق الأهدل

**Title:** na **Designation:** na **DOB:** 19 Nov. 1971 **POB:** Medina, Saudi Arabia **Good quality a.k.a.:** a) Al-Hamati, Muhammad **b)** Muhammad Muhammad Abdullah Al-Ahdal **c)** Mohamed Mohamed Abdullah Al-Ahdal **Low quality a.k.a.:** a) Abu Asim Al-Makki **b)** Ahmed **Nationality:** Yemeni **Passport no.:** Yemeni passport number 541939 issued in

Al-Hudaydah, Yemen, issued on 31 Jul. 2000 in the name of Muhammad Muhammad Abdullah Al-Ahdal **National identification no.:** Yemeni identity card number 216040 **Address:** Jamal street, Al-Dahima alley, Al-Hudaydah, Yemen **Listed on:** 17 Oct. 2001 (amended on 30 Jan. 2009, 25 Jan. 2010) **Other information:** Responsible for the finances of Al-Qa'ida (QE.A.4.01) in Yemen. Accused of involvement in the attack on the USS Cole in 2000. Arrested in Yemen in Nov. 2003. Sentenced to three years and one month of imprisonment by the specialized criminal court of first instance in Yemen. Released on 25 Dec. 2006 after the completion of his sentence. Review pursuant to Security Council resolution 1822 (2008) was concluded on 8 Jul. 2010.

**QI.S.263.08. Name:** 1: HAFIZ 2: MUHAMMAD 3: SAEED 4: na

**Title:** na **Designation:** na **DOB:** 5 Jun. 1950 **POB:** Sargodha, Punjab, Pakistan **Good quality a.k.a.:** a) Hafiz Mohammad Sahib b) Hafiz Mohammad Sayid c) Hafiz Muhammad d) Hafiz Saeed e) Hafez Mohammad Saeed f) Hafiz Mohammad Sayeed g) Tata Mohammad Syeed h) Mohammad Sayed i) Muhammad Saeed **Low quality a.k.a.:** Hafiz Ji **Nationality:** Pakistani **Passport no.:** na **National identification no.:** Pakistani national identification number 3520025509842-7 **Address:** House No. 116E, Mohalla Johar, Lahore, Tehsil, Lahore City, Lahore District, Pakistan, (location as at May 2008) **Listed on:** 10 Dec. 2008 (amended on 17 Jul. 2009) **Other information:** Muhammad Saeed is the leader of Lashkar-e-Tayyiba (QE.L.118.05.).

**QI.S.208.05. Name:** 1: RADULAN 2: SAHIRON 3: na 4: na

**Title:** na **Designation:** na **DOB:** a) 1955 b) Approximately 1952 **POB:** Kaunayan, Patikul, Jolo Island, the Philippines **Good quality a.k.a.:** a) Radullan Sahiron b) Radulan Sahirun c) Radulan Sajirun d) Commander Putol **Low quality a.k.a.:** na **Nationality:** Filipino **Passport no.:** na **National identification no.:** na **Address:** na **Listed on:** 6 Dec. 2005 **Other information:** Review pursuant to Security Council resolution 1822 (2008) was concluded on 8 Jun. 2010.

**QI.S.222.06. Name:** 1: NESSIM 2: BEN ROMDHANE 3: SAHRAOUI 4: na

**Name (original script):** نسيم بن رمضان صحراوي

**Title:** na **Designation:** na **DOB:** 3 Aug. 1973 **POB:** Bizerta, Tunisia **Good quality a.k.a.:** a) Dass b) Nasim al-Sahrawi **Low quality a.k.a.:** na **Nationality:** Tunisian **Passport no.:** na **National identification no.:** na **Address:** Tunisia **Listed on:** 2 Aug. 2006 (amended on 1 Sep. 2009, 25 Jan. 2010, 13 Dec. 2011) **Other information:** Considered a fugitive from justice by the Italian authorities and sentenced in absentia to 6 years detention on 20 Nov. 2008. Sentenced in Tunisia to 4 years imprisonment for terrorist activity and in detention in Tunisia as at Jun. 2009. Review pursuant to Security Council resolution 1822 (2008) was concluded on 20 Jul. 2009.

**QI.S.148.03. Name:** 1: NESSIM 2: BEN MOHAMED 3: AL-CHERIF BEN MOHAMED 4: SALEH AL-SAADI

**Name (original script):** نسيم بن محمد الشريف بن محمد صالح السعدي

**Title:** na **Designation:** na **DOB:** 30 Nov. 1974 **POB:** Haidra Al-Qasreen, Tunisia **Good quality a.k.a.:** a) Nassim Saadi b) Dia el Haak George, born 20 Nov. 1974 in Lebanon c) Diael Haak George, born 30 Nov. 1974 in Lebanon d) El Dia Haak George, born 30 Nov. 1974 in Algeria **Low quality a.k.a.:** a) Abou Anis b) Abu Anis **Nationality:** Tunisian **Passport no.:** Tunisian passport number M788331, issued on 28 Sep. 2001, expired 27 Sep. 2006 **National identification no.:** na **Address:** a) Via Monte Grappa 15, Arluno (Milan), Italy b) Via Cefalonia 11, Milan, Italy (Domicile, last known address) **Listed on:** 12 Nov. 2003 (amended on 20 Dec. 2005, 31 Jul. 2006, 21 Dec. 2007, 3 Jun. 2009, 16 May 2011) **Other information:** Arrested on 9 Oct. 2002. In detention in Italy until 27 Apr. 2012. Sentenced in absentia to 20 years of imprisonment by the Tunis Military Court on 11 May 2005 for membership of a terrorist organization. Father's name is Mohamed Sharif. Mother's name is Fatima. Review pursuant to Security Council resolution 1822 (2008) was concluded on 21 Jun. 2010.

**QI.S.244.08. Name:** 1: HILARION 2: DEL ROSARIO 3: SANTOS III 4: na

**Title:** Amir **Designation:** na **DOB:** 12 Mar. 1966 **POB:** 686 A. Mabini Street, Sangandaan, Caloocan City, Philippines **Good quality a.k.a.:** a) Akmad Santos b) Ahmed Islam c) Ahmad Islam Santos d) Abu Hamsa e) Hilarion Santos III f) Abu Abdullah Santos g) Faisal Santos **Low quality a.k.a.:** a) Lakay b) Aki c) Aqi **Nationality:** Filipino **Passport no.:** Filipino passport number AA780554 **National identification no.:** na **Address:** 50, Purdue Street, Cubao, Quezon City, Philippines **Listed on:** 4 Jun. 2008 (amended on 13 Dec. 2011) **Other information:** Founder and leader of the Rajah Solaiman Movement (QE.R.128.08.) and linked to the Abu Sayyaf Group (QE.A.1.01.). In detention in the Philippines as of May 2011. Review pursuant to Security Council resolution 1822 (2008) was concluded on 13 May 2010.

**QI.S.1.01. Name:** 1: SAYF-AL ADL 2: na 3: na 4: na

**Name (original script):** سيف العدل

**Title:** na **Designation:** na **DOB:** a) 1963 b) 11 Apr. 1963 c) 11 Apr. 1960 **POB:** Egypt **Good quality a.k.a.:** a) Saif Al-'Adil b) Seif al Adel c) Muhamad Ibrahim Makkawi **Low quality a.k.a.:** Ibrahim al-Madani **Nationality:** Egyptian **Passport no.:** na **National identification no.:** na **Address:** na **Listed on:** 25 Jan. 2001 (amended on 16 Dec. 2010, 24 Jul. 2013) **Other information:** Responsible for Usama bin Laden's (QI.B.8.01) security. Review pursuant to Security Council resolution 1822 (2008) was concluded on 15 Jun. 2010.

**QI.S.260.08. Name:** 1: DANIEL 2: MARTIN 3: SCHNEIDER 4: na

**Title:** na **Designation:** na **DOB:** 9 Sep. 1985 **POB:** Neunkirchen (Saar), Germany **Good quality a.k.a.:** na **Low quality a.k.a.:** Abdullah **Nationality:** German **Passport no.:** German passport number 2318047793 issued in Friedrichsthal, Germany, issued on 17 May 2006, expired on 16 May 2011. **National identification no.:** German Federal Identity Card number 2318229333 issued in Friedrichsthal, Germany, issued on 17 May 2006, expired on 16 May 2011 (reported lost). **Address:** a) In prison in Germany (since Sep. 2007). b) Petrusstrasse 32, 66125 Herrensohr, Dudweiler, Saarbrücken, Germany (previous address) **Listed on:** 27 Oct. 2008 (amended on 13 Dec. 2011) **Other information:** Associated with the Islamic Jihad Union (IJU), also known as the Islamic Jihad Group (QE.I.119.05.). Associated with Fritz Martin Gelowicz (QI.G.259.08.) and Adem Yilmaz (QI.Y.261.08.). In detention in Germany as of Jun. 2010.

**QI.S.128.03. Name:** 1: ISMAIL 2: ABDALLAH 3: SBAITAN 4: SHALABI

**Name (original script):** اسماعيل عبد الله سبيتان شلبي

**Title:** na **Designation:** na **DOB:** 30 Apr. 1973 **POB:** Beckum, Germany **Good quality a.k.a.:** a) Ismain Shalabe, born 30 Apr. 1973 in Beckum b) Ismail Abdallah Sbaitan Shalabi, born 30 Apr. 1973 in Beckum **Low quality a.k.a.:** na **Nationality:** Jordanian of Palestinian origin **Passport no.:** a) Passport of the Hashemite Kingdom of Jordan no. E778675, issued in Rusaifah on 23 Jun. 1996, valid until 23 Jun. 2001 b) Passport of the Hashemite Kingdom of Jordan no. H401056, JOR 9731050433, issued on 11 Apr. 2001, valid until 10 Apr. 2006 **National identification no.:** na **Address:** Germany **Listed on:** 23 Sep. 2003 (amended on 10 Jun. 2011) **Other information:** Father's name is Abdullah Shalabi. Mother's name is Ammnihi Shalabi. Associated with Djamel Moustfa (QI.M.129.03.), Mohamed Abu Dhess (QI.A.130.03.) and Aschraf al-Dagma (QI.A.132.03.). Review pursuant to Security Council resolution 1822 (2008) was concluded on 21 Jun. 2010.

**QI.S.322.14 Name:** 1: ABUBAKAR 2: MOHAMMED 3: SHEKAU 4: na

**Name (original script):** أبو بكر محمد الشكوى

**Title:** Imam **Designation:** na **DOB:** 1969 **POB:** Shekau Village, Yobe State, Nigeria **Good quality a.k.a.:** Abubakar Shekau **Low quality a.k.a.:** a) Abu Mohammed Abubakar bin Mohammed b) Abu Muhammed Abubakar bi Mohammed c) Shekau d) Shehu e) Shayku f) Imam Darul Tauhid g) Imam Darul Tawheed **Nationality:** Nigerian **Passport no.:** na **National identification no.:** na **Address:** Nigeria **Listed on:** 26 Jun. 2014 **Other information:** Member of the Kanuri tribe. Physical description: eye colour: black; hair colour: black. Photo available for inclusion in the INTERPOL-UN Security Council Special Notice. Leader of Jama'atu Ahlis Sunna Lidda'Awati Wal-Jihad (Boko Haram) (QE.B.138.14). Under Shekau's leadership, Boko Haram has been responsible for a series of major terrorist attacks.

**QI.A.17.01. Name:** 1: THARWAT 2: SALAH 3: SHIHATA 4: na

**Name (original script):** ثروت صالح شحاتة

**Title:** na **Designation:** na **DOB:** 29 Jun. 1960 **POB:** Egypt **Good quality a.k.a.:** a) Tarwat Salah Abdallah b) Salah Shihata Thirwat c) Shahata Thirwat d) Tharwat Salah Shihata Ali (previously listed as) **Low quality a.k.a.:** na **Nationality:** Egyptian **Passport no.:** na **National identification no.:** na **Address:** na **Listed on:** 6 Oct. 2001 (amended on 26 Nov. 2004, 16 Dec. 2010) **Other information:** Review pursuant to Security Council resolution 1822 (2008) was concluded on 15 Jun. 2010.

**QI.S.122.03. Name:** 1: PARLINDUNGAN 2: SIREGAR 3: na 4: na

**Title:** na **Designation:** na **DOB:** a) 25 Apr. 1957 b) 25 Apr. 1967 **POB:** Indonesia **Good quality a.k.a.:** a) Siregar, Parlin b) Siregar, Saleh Parlindungan **Low quality a.k.a.:** na **Nationality:** Indonesian **Passport no.:** na **National identification no.:** na **Address:** na **Listed on:** 9 Sep. 2003 **Other information:** Review pursuant to Security Council resolution 1822 (2008) was concluded on 25 May 2010.

**QI.S.124.03. Name:** 1: YAZID 2: SUFAAT 3: na 4: na

**Title:** na **Designation:** na **DOB:** 20 Jan. 1964 **POB:** Johor, Malaysia **Good quality a.k.a.:** na **Low quality a.k.a.:** a) Joe b) Abu Zufar **Nationality:** Malaysian **Passport no.:** A 10472263 **National identification no.:** 640120-01-5529 **Address:** Taman Bukit Ampang, State of Selangor, Malaysia (as at Apr. 2009) **Listed on:** 9 Sep. 2003 (amended on 3 May 2004, 1 Feb. 2008, 10 Aug. 2009, 25 Jan. 2010, 16 May 2011) **Other information:** Review pursuant to Security Council resolution 1822 (2008) was concluded on 19 Jun. 2009.

**QI.S.123.03. Name:** 1: YASSIN 2: SYWAL 3: na 4: na

**Title:** na **Designation:** na **DOB:** Approximately 1972 **POB:** na **Good quality a.k.a.:** a) Salim Yasin b) Mochtar Yasin Mahmud c) Abdul Hadi Yasin d) Muhamad Mubarak e) Muhammad Syawal **Low quality a.k.a.:** a) Abu Seta b) Mahmud c) Abu Muamar **Nationality:** Indonesian **Passport no.:** na **National identification no.:** na **Address:** na **Listed on:** 9 Sep. 2003 **Other information:** Review pursuant to Security Council resolution 1822 (2008) was concluded on 25 May 2010.

**QI.T.57.02. Name:** 1: IBRAHIM 2: ALI 3: ABU BAKR 4: TANTOUSH

**Name (original script):** ابراهيم علي أبو بكر تنتوش

**Title:** na **Designation:** na **DOB:** 1966 **POB:** al Aziziyya, Libyan Arab Jamahiriya **Good quality a.k.a.:** a) Abd al-Muhsin b) Ibrahim Ali Muhammad Abu Bakr c) Abdul Rahman d) Abu Anas e) Ibrahim Abubaker Tantouche f) Ibrahim Abubaker Tantoush g) 'Abd al-Muhsi h) 'Abd al-Rahman **Low quality a.k.a.:** Al-Libi **Nationality:** Libyan **Passport no.:** Libyan passport number 203037 issued in Tripoli **National identification no.:** na **Address:** Johannesburg, South Africa **Listed on:** 11 Jan. 2002 (amended on 31 Jul. 2006, 4 Oct. 2006, 16 May 2011) **Other information:** Associated with Afghan Support Committee (ASC) (QE.A.69.02.), Revival of Islamic Heritage Society (RIHS)(QE.R.70.02.) and the Libyan Islamic Fighting Group (LIFG) (QE.L.11.01.). Review pursuant to Security Council resolution 1822 (2008) was concluded on 8 Jun. 2010.

**QI.T.241.08. Name:** 1: ANGELO 2: RAMIREZ 3: TRINIDAD 4: na

**Title:** na **Designation:** na **DOB:** 20 Mar. 1978 **POB:** Gattaran, Cagayan Province, Philippines **Good quality a.k.a.:** a) Calib Trinidad b) Kalib Trinidad **Low quality a.k.a.:** a) Abdul Khalil b) Abdukahil c) Abu Khalil d) Anis **Nationality:** Filipino **Passport no.:** na **National identification no.:** na **Address:** 3111 Ma. Bautista, Punta, Santa Ana, Manila, Philippines **Listed on:** 4 Jun. 2008 (amended on 13 Dec. 2011) **Other information:** Distinguishing marks include scars on both legs. Member of the Rajah Solaiman Movement (QE.R.128.08.), and associated with the Abu Sayyaf Group (QE.A.1.01.) and the Jemaah Islamiyah (QE.J.92.02.). In detention in the Philippines as of May 2011. Review pursuant to Security Council resolution 1822 (2008) was concluded on 13 May 2010.

**QI.T.56.01. Name:** 1: MOHAMMED 2: TUFAIL 3: na 4: na

**Title:** na **Designation:** na **DOB:** 5 May 1930 **POB:** na **Good quality a.k.a.:** a) Tufail, S.M. b) Tuffail, Sheik Mohammed **Low quality a.k.a.:** na **Nationality:** Pakistani **Passport no.:** na **National identification no.:** na **Address:** na **Listed on:** 24 Dec. 2001 (amended on 19 Jan. 2011) **Other information:** Served as a director of Ummah Tameer e-Nau (UTN) (QE.U.68.01). Review pursuant to Security Council resolution 1822 (2008) was concluded on 1 Jun. 2010.

**QI.U.290.11. Name:** 1: DOKU 2: KHAMATOVICH 3: UMAROV 4: na

**Name (original script):** Умаров Доку Хаматович

**Title:** na **Designation:** na **DOB:** 12 May 1964 **POB:** Kharsenoy Village, Shatoyskiy (Sovetskiy) District, Chechenskaya Respublika, Russian Federation **Good quality a.k.a.:** na **Low quality a.k.a.:** na **Nationality:** a) Russian b) USSR (until 1991) **Passport no.:** na **National identification no.:** na **Address:** na **Listed on:** 10 Mar. 2011 (amended on 2 Jun. 2014) **Other information:** Resides in the Russian Federation as at Nov. 2010. International arrest warrant issued in the year 2000. Reportedly deceased as of April 2014.

**QI.M.31.01. Name:** 1: OMAR 2: MAHMOUD 3: UTHMAN 4: na

**Name (original script):** عمر محمود عثمان

**Title:** na **Designation:** na **DOB:** a) 30 Dec. 1960 b) 13 Dec. 1960 **POB:** Bethlehem, West Bank, Palestinian Territories **Good quality a.k.a.:** a) Al-Samman Uthman b) Umar Uthman c) Omar Mohammed Othman **Low quality a.k.a.:** a) Abu Qatada Al-Filistini b) Abu Umr Takfiri c) Abu Omar Abu Umar d) Abu Umar Umar e) Abu Ismail **Nationality:** Jordanian **Passport no.:** na **National identification no.:** na **Address:** Jordan (since July 2013) **Listed on:** 17 Oct. 2001 (amended on 14 Mar. 2008, 24 Mar. 2009, 25 Jan. 2010, 22 Jul. 2013) **Other**



**information:** Associated with Al-Qaida-related groups in the United Kingdom and other countries. Convicted in absentia in Jordan for involvement in terrorist acts in 1998. Arrested in Feb. 2001 in the United Kingdom, was further detained between Oct. 2002 and Mar. 2005 and between Aug. 2005 and Jun. 2008. In custody since Dec. 2008. Deported to Jordan from the United Kingdom on 7 July 2013 to face terrorism charges. Review pursuant to Security Council resolution 1822 (2008) was concluded on 19 Oct. 2009.

**QI.Y.37.01. Name:** 1: ABDUL RAHMAN 2: YASIN 3: na 4: na

**Name (original script):** عبد الرحمن ياسين

**Title:** na **Designation:** na **DOB:** 10 Apr. 1960 **POB:** Bloomington, Indiana, United States of America **Good quality a.k.a.:** a) Taha, Abdul Rahman S. b) Taher, Abdul Rahman S. c) Yasin, Abdul Rahman Said d) Yasin, Aboud **Low quality a.k.a.:** na **Nationality:** United States of America **Passport no.:** 27082171 (United States of America, issued on 21 Jun. 1992 in Amman, Jordan) **National identification no.:** SSN 156-92-9858 (United States of America) **Address:** na **Listed on:** 17 Oct. 2001 (amended on 10 Apr. 2003) **Other information:** Abdul Rahman Yasin is in Iraq. Review pursuant to Security Council resolution 1822 (2008) was concluded on 21 Jun. 2010.

**QI.Y.261.08. Name:** 1: ADEM 2: YILMAZ 3: na 4: na

**Title:** na **Designation:** na **DOB:** 4 Nov. 1978 **POB:** Bayburt, Turkey **Good quality a.k.a.:** na **Low quality a.k.a.:** Talha **Nationality:** Turkish **Passport no.:** Turkish passport number TR-P 614 166 , issued by the Turkish Consulate General in Frankfurt/M. on 22 Mar. 2006, expired on 15 Sep. 2009. **National identification no.:** na **Address:** a) In prison in Germany (since Sep. 2007). b) Südliche Ringstrasse 133, 63225 Langen, Germany (previous address) **Listed on:** 27 Oct. 2008 (amended on 13 Dec. 2011) **Other information:** Associated with the Islamic Jihad Union (IJU), also known as the Islamic Jihad Group (QE.I.119.05.). Associated with Fritz Martin Gelowicz (QI.G.259.08.) and Daniel Martin Schneider (QI.S.260.08.). In detention in Germany as of Jun. 2010.

**QI.M.205.05. Name:** 1: RAFIK 2: MOHAMAD 3: YOUSEF 4: na

**Name (original script):** رفيق محمد يوسف

**Title:** na **Designation:** na **DOB:** 27 Aug. 1974 **POB:** Baghdad, Iraq **Good quality a.k.a.:** Mohamad Raifc Kairadin **Low quality a.k.a.:** na **Nationality:** Iraqi **Passport no.:** German travel document ("Reiseausweis") A 0092301 **National identification no.:** na **Address:** In prison in Germany **Listed on:** 6 Dec. 2005 (amended on 21 Oct. 2008, 13 Dec. 2011) **Other information:** Member of Ansar Al-Islam (QE.A.98.03). Sentenced on 15 Jul. 2008 to 8 years imprisonment in Germany. Review pursuant to Security Council resolution 1822 (2008) was concluded on 30 Jul. 2009.

**QI.A.198.05. Name:** 1: HANI 2: AL-SAYYID 3: AL-SEBAI 4: YUSIF

**Name (original script):** هاني السيد السباعي يوسف

**Title:** na **Designation:** na **DOB:** a) 1 Mar. 1961 b) 16 Jun. 1960 **POB:** Qaylubiyah, Egypt **Good quality a.k.a.:** a) Hani Yousef Al-Sebai b) Hani Youssef c) Hany Youseff d) Hani Yusef e) Hani al-Sayyid Al-Sabai f) Hani al-Sayyid El Sebai g) Hani al-Sayyid Al Siba'i h) Hani al-Sayyid El Sabaay i) El-Sababt j) Abu Tusnin k) Abu Akram l) Hani El Sayyed Elsebai Yusef m) Abu Karim n) Hany Elsayed Youssef **Low quality a.k.a.:** na **Nationality:** Egyptian **Passport no.:** na **National identification no.:** na **Address:** London, United Kingdom **Listed on:** 29 Sep. 2005 (amended on 6 Oct. 2005, 18 Aug. 2006, 25 Jan. 2012) **Other information:** Father's name is Mohamed Elsayed Elsebai. Review pursuant to Security Council resolution 1822 (2008) was concluded on 29 Jul. 2010.

**QI.A.139.03. Name:** 1: IMED 2: BEN MEKKI 3: ZARCAOUI 4: na

**Name (original script):** عماد بن مكّي زرقاوي

**Title:** na **Designation:** na **DOB:** 15 Jan. 1973 **POB:** Tunis, Tunisia **Good quality a.k.a.:** a) Dour Nadre, born 15 Jan. 1974 in Morocco b) Dour Nadre, born 15 Jan. 1973 in Morocco c) Daour Nadre, born 31 Mar. 1975 in Algeria d) Imad ben al-Mekki ben al-Akhdar al-Zarkaoui (previously listed as) **Low quality a.k.a.:** a) Zarga b) Nadra **Nationality:** Tunisian **Passport no.:** Tunisian passport number M174950, issued on 27 Apr. 1999, expired on 26 Apr. 2004 **National identification no.:** na **Address:** 41-45, Rue Estienne d'Orves, Pré Saint Gervais, France **Listed on:** 12 Nov. 2003 (amended on 20 Dec. 2005, 31 Jul. 2006, 10 Aug. 2009, 16 May 2011) **Other information:** Mother's name is Zina al-Zarkaoui. Imprisoned in France since 1 Feb. 2010 on charges of criminal conspiracy in relation to a terrorist organization. Review pursuant to Security Council resolution 1822 (2008) was concluded on 6 May 2010.

**QI.Z.168.04. Name:** 1: AHMAD 2: ZERFAOUI 3: na 4: na

**Name (original script):** احمد زرفاوي

**Title:** na **Designation:** na **DOB:** 15 Jul. 1963 **POB:** Chréa, Algeria **Good quality a.k.a.:** a) Abdullah b) Abdalla c) Smail d) Abu Khaoula e) Abu Cholder f) Nuhr **Low quality a.k.a.:** na **Nationality:** Algerian **Passport no.:** na **National identification no.:** na **Address:** na **Listed on:** 3 May 2004 (amended on 12 Apr. 2006, 7 Apr. 2008, 13 Dec. 2011) **Other information:** Former member of The Organization of Al-Qaida in the Islamic Maghreb (QE.T.14.01.). Confirmed to have died in northern Mali on 19 Sep. 2006. Review pursuant to Security Council resolution 1822 (2008) was concluded on 27 Jul. 2010.

**QI.Z.223.06. Name:** 1: MERAI 2: ZOGHBAI 3: na 4: na

**Name (original script):** مرعي زغبوي

**Title:** na **Designation:** na **DOB:** a) 4 Apr. 1969 b) 4 Apr. 1960 c) 4 Jun. 1960 **POB:** Bengasi, Libyan Arab Jamahiriya **Good quality a.k.a.:** a) Mohamed Lebachir, born 14 Jan. 1968 in Morocco b) Meri Albdelfattah Zgbye, born 4 Jun. 1960 in Bendasi, Libyan Arab Jamahiriya c) Zoghbai Merai Abdul Fattah d) Lazrag Faraj, born 13 Nov. 1960 in Libyan Arab Jamahiriya e) Larzg Ben Ila, born 11 Aug. 1960 in Libyan Arab Jamahiriya f) Muhammed El Besir **Low quality a.k.a.:** a) F'raji di Singapore b) F'raji il Libico c) Farag d) Fredj, born 13 Nov. 1960 in Libyan Arab Jamahiriya **Nationality:** na **Passport no.:** na **National identification no.:** na **Address:** na **Listed on:** 2 Aug. 2006 (amended on 3 Jun. 2009, 1 Sep. 2009, 13 Dec. 2011) **Other information:** Considered a fugitive from justice by the Italian authorities and sentenced in absentia to 6 years imprisonment on 20 Nov. 2008. Member of Libyan Islamic Fighting Group (QE.L.11.01). Review pursuant to Security Council resolution 1822 (2008) was concluded on 20 Jul. 2009.

**QI.Z.187.05. Name:** 1: ZULKARNAEN 2: na 3: na 4: na

**Title:** na **Designation:** na **DOB:** 1963 **POB:** Gebang village, Masaran, Sragen, Central Java, Indonesia **Good quality a.k.a.:** a) Zulkarnan b) Zulkarnain c) Zulkarnin d) Arif Sunarso e) Aris Sumarsono f) Aris Sunarso g) Ustad Daud Zulkarnaen h) Murshid **Low quality a.k.a.:** na **Nationality:** Indonesian **Passport no.:** na **National identification no.:** na **Address:** na **Listed on:** 16 May 2005 **Other information:** Review pursuant to Security Council resolution 1822 (2008) was concluded on 8 Jun. 2010.

## B. Entities and other groups and undertakings associated with Al-Qaida

**QE.A.1.01. Name:** ABU SAYYAF GROUP

**A.k.a.:** Al Harakat Al Islamiyya **F.k.a.:** na **Address:** Philippines **Listed on:** 6 Oct. 2001 (amended on 13 Dec. 2011) **Other information:** Associated with Jemaah Islamiyah (JI) (QE.J.92.02). Current leader is Radulan Sahiron (QI.S.208.05). Review pursuant to Security Council resolution 1822 (2008) was concluded on 21 Jun. 2010.

**QE.A.69.02. Name:** AFGHAN SUPPORT COMMITTEE (ASC)

**A.k.a.:** a) Lajnat ul Masa Eidatul Afghanistan b) Jamiat Ayat-ur-Rhas al Islamiac c) Jamiat Ihya ul Turath al Islamia d) Ahya ul Turas **F.k.a.:** na **Address:** a) Headquarters – G.T. Road (probably Grand Trunk Road), near Pushtoon Garhi Pabbi, Peshawar, Pakistan b) Cheprahar Hadda, Mia Omar Sabaqah School, Jalabad, Afghanistan **Listed on:** 11 Jan. 2002 (amended on 13 Dec. 2011) **Other information:** Associated with the Revival of Islamic Heritage Society (QE.R.70.02). Abu Bakr al-Jaziri (QI.A.58.02) served as finance chief of ASC. Review pursuant to Security Council resolution 1822 (2008) was concluded on 8 Jun. 2010.

**QE.A.121.05. Name:** AL-AKHTAR TRUST INTERNATIONAL

**A.k.a.:** a) Al Akhtar Trust b) Al-Akhtar Medical Centre c) Akhtarabad Medical Camp d) Pakistan Relief Foundation e) Pakistani Relief Foundation f) Azmat-e-Pakistan Trust g) Azmat Pakistan Trust **F.k.a.:** na **Address:** a) ST-1/A, Gulsahn-e-Iqbal, Block 2, Karachi, 25300, Pakistan b) Gulistan-e-Jauhar, Block 12, Karachi, Pakistan **Listed on:** 17 Aug. 2005 (amended on 10 Dec. 2008, 13 Dec. 2011) **Other information:** Regional offices in Pakistan: Bahawalpur, Bawalnagar, Gilgit, Islamabad, Mirpur Khas, Tando-Jan-Muhammad. Akhtarabad Medical Camp is in Spin Boldak, Afghanistan. Registered by members of Jaish-i-Mohammed (QE.J.19.01). Associated with Harakat ul-Mujahidin/ HUM (QE.H.8.01), Lashkar I Jhanghvi (LJ) (QE.L.96.03) and Lashkar-e-Tayyiba (QE.L.118.05). Banned in Pakistan. Review pursuant to Security Council resolution 1822 (2008) was concluded on 14 Sep. 2009.

**QE.A.107.04. Name:** AL FURQAN

**A.k.a.:** a) Dzemilijati Furkan b) Dzem'ijjetul Furqan c) Association for Citizens Rights and Resistance to Lies d) Dzemijetul Furkan e) Association of Citizens for the Support of Truth and Supression of Lies f) Sirat g) Association for Education, Culture and Building Society-Sirat h) Association for Education, Cultural, and to Create Society -Sirat i) Istikamet j) In Siratel k) Citizens' Association for Support and Prevention of lies – Furqan **F.k.a.:** na **Address:** a) 30a Put Mladih Muslimana (ex Pavla Lukaca Street), 71 000 Sarajevo, Bosnia and Herzegovina b) 72 ul. Strossmajerova, Zenica, Bosnia and Herzegovina c) 42 Muhameda Hadzjahica, Sarajevo, Bosnia and Herzegovina d) 70 and 53 Strossmajerova Street, Zenica, Bosnia and Herzegovina e) Zlatnih Ljiljana Street, Zavidovici, Bosnia and Herzegovina **Listed on:** 11 May 2004 (amended on 26 Nov. 2004, 24 Mar. 2009) **Other information:** Registered in Bosnia and Herzegovina as a citizens' association under the name of "Citizens' Association for Support and Prevention of lies – Furqan" on 26 Sep. 1997. Al Furqan ceased its work by decision of the Ministry of Justice of the Bosnia and Herzegovina Federation (decision number 03-054-286/97 dated 8 Nov. 2002). Al Furqan was no longer in existence as at Dec. 2008. Review pursuant to Security Council resolution 1822 (2008) was concluded on 15 Jun. 2010.

**QE.A.110.04. Name:** AL-HARAMAIN: AFGHANISTAN BRANCH

**A.k.a.:** na **F.k.a.:** na **Address:** Afghanistan, (at time of listing) **Listed on:** 6 Jul. 2004 (amended on 21 Mar. 2012) **Other information:** Review pursuant to Security Council resolution 1822 (2008) was concluded on 22 Jun. 2010.

**QE.A.111.04. Name:** AL-HARAMAIN: ALBANIA BRANCH

**A.k.a.:** na **F.k.a.:** na **Address:** Irfan Tomini Street, #58, Tirana, Albania (at time of listing) **Listed on:** 6 Jul. 2004 (amended on 21 Mar. 2012) **Other information:** Review pursuant to Security Council resolution 1822 (2008) was concluded on 22 Jun. 2010.

**QE.A.109.04. Name:** AL-HARAMAIN & AL MASJED AL-AQSA CHARITY FOUNDATION

**A.k.a.:** a) Al Haramain Al Masjed Al Aqsa b) Al Haramayn Al Masjid Al Aqsa c) Al-Haramayn and Al Masjid Al Aqsa Charitable Foundation d) Al Harammein Al Masjed Al-Aqsa Charity Foundation **F.k.a.:** na **Address:** a) Branch Address: 2A Hasiba Brankovica, Sarajevo, Bosnia and Herzegovina b) 14 Bihacka Street, Sarajevo, Bosnia and Herzegovina c) 64 Potur mahala Street, Travnik, Bosnia and Herzegovina d) Zenica, Bosnia and Herzegovina **Listed on:** 28 Jun. 2004 (amended on 26 Nov. 2004, 16 Sep. 2008, 24 Mar. 2009) **Other information:** Used to be officially registered in Bosnia and Herzegovina under registry number 24. Al-Haramain & Al Masjed Al-Aqsa Charity Foundation ceased its work by decision of the Ministry of Justice of the Bosnia and Herzegovina Federation (decision on cessation of operation number 03-05-2-203/04). It was no longer in existence as at Dec. 2008. Its premises and humanitarian activities were transferred under Government supervision to a new entity called Sretna Buducnost. Review pursuant to Security Council resolution 1822 (2008) was concluded on 22 Jun. 2010.

**QE.A.112.04. Name:** AL-HARAMAIN: BANGLADESH BRANCH

**A.k.a.:** na **F.k.a.:** na **Address:** House 1, Road 1, S-6, Uttara, Dhaka, Bangladesh (at time of listing) **Listed on:** 6 Jul. 2004 (amended on 21 Mar. 2012) **Other information:** Review pursuant to Security Council resolution 1822 (2008) was concluded on 22 Jun. 2010.

**QE.A.113.04. Name:** AL-HARAMAIN: ETHIOPIA BRANCH

**A.k.a.:** na **F.k.a.:** na **Address:** Woreda District 24 Kebele Section 13, Addis Ababa, Ethiopia (at time of listing) **Listed on:** 6 Jul. 2004 (amended on 21 Mar. 2012) **Other information:** Review pursuant to Security Council resolution 1822 (2008) was concluded on 22 Jun. 2010.

**QE.A.103.04. Name:** AL-HARAMAIN FOUNDATION (INDONESIA)

**A.k.a.:** Yayasan Al-Manahil-Indonesia **F.k.a.:** na **Address:** Jalan Laut Sulawesi Blok DII/4, Kavling Angkatan Laut Duren Sawit, Jakarta Timur 13440 Indonesia (at time of listing); Tel.: 021-86611265 and 021-86611266; Fax.: 021-8620174 **Listed on:** 26 Jan. 2004 (amended on 21 Mar. 2012) **Other information:** Review pursuant to Security Council resolution 1822 (2008) was concluded on 22 Jun. 2010.

**QE.A.104.04. Name:** AL-HARAMAIN FOUNDATION (PAKISTAN)

**A.k.a.:** na **F.k.a.:** na **Address:** House #279, Nazimuddin Road, F-10/1, Islamabad, Pakistan (at time of listing) **Listed on:** 26 Jan. 2004 (amended on 21 Mar. 2012) **Other information:** Review pursuant to Security Council resolution 1822 (2008) was concluded on 19 Oct. 2009.

**QE.A.116.04. Name:** AL-HARAMAIN FOUNDATION (UNION OF THE COMOROS)

**A.k.a.:** na **F.k.a.:** na **Address:** B/P: 1652 Moroni, Union of the Comoros (at time of listing) **Listed on:** 28 Sep. 2004 (amended on 21 Mar. 2012) **Other information:** Review pursuant to Security Council resolution 1822 (2008) was concluded on 22 Jun. 2010.

**QE.A.117.04. Name:** AL-HARAMAIN FOUNDATION (UNITED STATES OF AMERICA)

**A.k.a.:** na **F.k.a.:** na **Address:** a) 1257 Siskiyou Blvd., Ashland, OR 97520, United States of America b) 3800 Highway 99 S, Ashland, OR 97520, United States of America c) 2151 E Division St., Springfield, MO 65803, United States of America **Listed on:** 28 Sep. 2004 (amended on 25 Jan. 2010) **Other information:** The United States-based branch of Al-Haramain Foundation was formally established by Suliman Hamd Suleiman al-Buthe (QI.A.179.04.) and another associate in 1997. Review pursuant to Security Council resolution 1822 (2008) was concluded on 19 Oct. 2009.

**QE.A.71.02. Name:** AL-HARAMAIN ISLAMIC FOUNDATION

**A.k.a.:** a) Vazir b) Vezir **F.k.a.:** na **Address:** a) 64 Poturmahala, Travnik, Bosnia and Herzegovina b) Sarajevo, Bosnia and Herzegovina **Listed on:** 13 Mar. 2002 (amended on 26 Dec. 2003, 16 Sep. 2008, 16 Jun. 2011) **Other information:** Under criminal investigation by the authorities of Bosnia and Herzegovina as of Nov. 2007. Employees and associates include Najib Ben Mohamed Ben Salem Al-Waz (listed under permanent reference number QI.A.104.03.). Review pursuant to Security Council resolution 1822 (2008) was concluded on 22 Jun. 2010.

**QE.A.72.02. Name:** AL-HARAMAIN ISLAMIC FOUNDATION (SOMALIA)

**A.k.a.:** na **F.k.a.:** na **Address:** Somalia **Listed on:** 13 Mar. 2002 (amended on 13 Dec. 2011) **Other information:** The founder and former leader is Aqeel Abdulaziz Aqeel al-Aqeel (QI.A.171.04). Review pursuant to Security Council resolution 1822 (2008) was concluded on 22 Jun. 2010.

**QE.A.114.04. Name:** AL-HARAMAIN: THE NETHERLANDS BRANCH

**A.k.a.:** Stichting Al Haramain Humanitarian Aid **F.k.a.:** na **Address:** Jan Hanzenstraat 114, 1053SV, Amsterdam, The Netherlands (at time of listing) **Listed on:** 6 Jul. 2004 (amended on 13 Apr. 2012) **Other information:** The founder and former leader is Aqeel Abdulaziz Aqeel al-Aqeel (QI.A.171.04) who was also chairman of its board of directors. Review pursuant to Security Council resolution 1822 (2008) was concluded on 28 Jun. 2010.

**QE.A.105.04. Name:** AL-HARAMAYN FOUNDATION (KENYA)

**A.k.a.:** na **F.k.a.:** na **Address:** a) Nairobi, Kenya, (at time of listing) b) Garissa, Kenya, (at time of listing) c) Dadaab, Kenya, (at time of listing) **Listed on:** 26 Jan. 2004 (amended on 21 Mar. 2012) **Other information:** Review pursuant to Security Council resolution 1822 (2008) was concluded on 22 Jun. 2010.

**QE.A.106.04. Name:** AL-HARAMAYN FOUNDATION (TANZANIA)

**A.k.a.:** na **F.k.a.:** na **Address:** a) P.O. Box 3616, Dar es Salaam, Tanzania (at time of listing) b) Tanga (at time of listing) c) Singida (at time of listing) **Listed on:** 26 Jan. 2004 (amended on 21 Mar. 2012) **Other information:** Review pursuant to Security Council resolution 1822 (2008) was concluded on 22 Jun. 2010.

**QE.A.2.01. Name:** AL-ITIHAAD AL-ISLAMIYA / AIAI

**Name (original script):** الاتحاد الإسلامي

**A.k.a.:** na **F.k.a.:** na **Address:** na **Listed on:** 6 Oct. 2001 (amended on 21 Dec. 2007, 13 Dec. 2011, 18 Mar. 2013) **Other information:** Reported to have operated in Somalia and Ethiopia and to have merged with Harakat Al-Shabaab Al-Mujaahidiin (Al-Shabaab), which was accepted as an affiliate of Al-Qaida (QE.A.4.01) by Aiman Muhammed Rabi al-Zawahiri (QI.A.6.01) in Feb. 2012, and is also subject to the sanctions measures set out in Security Council resolution 1844 (2008) concerning Somalia and Eritrea (see [www.un.org/sc/committees/751/index.shtml](http://www.un.org/sc/committees/751/index.shtml)). Leadership included Hassan Abdullah Hersi Al-Turki (QI.A.172.04.) and Hassan Dahir Aweys (QI.D.42.01.). AIAI has received funds through the Al-Haramain Islamic Foundation (Somalia) (QE.A.72.02). Review pursuant to Security Council resolution 1822 (2008) was concluded on 21 Jun. 2010.

**QE.M.139.14. Name:** AL MOUAKAOUNE BIDDAM

**Name (original script):** الموقعون بالدم

**A.k.a.:** a) Les Signataires par le Sang b) Ceux Qui Signent avec le Sang c) Those Who Sign in Blood **F.k.a.:** na **Address:** Mali **Listed on:** 2 Jun. 2014 **Other information:** Associated with the Organization of Al-Qaida in the

Islamic Maghreb (QE.T.14.01) and led by Mokhtar Belmokhtar (QI.B.136.03). Active in the Sahel/Sahara region.

**QE.M.140.14. Name:** AL MOULATHAMOUN

**Name (original script):** المثلثون

**A.k.a.:** a) Les Enturbannés b) The Veiled **F.k.a.:** na **Address:** a) Mali b) Niger c) Algeria **Listed on:** 2 Jun. 2014 **Other information:** Founded in 2012 as a splinter group of the Organization of Al-Qaida in the Islamic Maghreb (QE.T.14.01). On 20 Aug. 2013, Al Moulathamoun merged with the Mouvement pour l'Unification et le Jihad en Afrique de l'Ouest (MUJAO) (QE.M.134.12) and established Al Mourabitoun (QE.M. 141.14). Associated with the Organization of Al-Qaida in the Islamic Maghreb (QE.T.14.01) and led by Mokhtar Belmokhtar (QI.B.136.03). Active in the Sahel/Sahara region.

**QE.M.141.14. Name:** AL MOURABITOUN

**Name (original script):** المرابطون

**A.k.a.:** a) Les Sentinelles b) The Sentinels **F.k.a.:** na **Address:** Mali **Listed on:** 2 Jun. 2014 **Other information:** Founded on 20 Aug. 2013 as result of a merger between Al Moulathamoun (QE.M.140.14) and the Mouvement pour l'Unification et le Jihad en Afrique de l'Ouest (MUJAO) (QE.M.134.12). Associated with the Organization of Al-Qaida in the Islamic Maghreb (QE.T.14.01) and led by Mokhtar Belmokhtar (QI.B.136.03). Active in the Sahel/Sahara region.

**QE.A.137.14. Name:** AL-NUSRAH FRONT FOR THE PEOPLE OF THE LEVANT

**Name (original script):** جبهة النصره لأهل الشام

**A.k.a.:** a) جبهة النصره (the Victory Front; Jabhat al-Nusra; Jabhet al-Nusra; Al-Nusra Front; Al-Nusra Front) b) شبكة أنصار المجاهدين (sub-unit name: Ansar al-Mujahideen Network) c) مجاهدو الشام في ساحات الجهاد (sub-unit name: Levantine Mujahideen on the Battlefields of Jihad) **F.k.a.:** na **Address:** a) Operates in Syria b) Support network in Iraq **Listed on:** 14 May 2014 **Other information:** Associated with Al-Qaida (QE.A.4.01) and Ibrahim Awwad Ibrahim Ali al-Badri al-Samarrai (QI.A.299.11), the leader of Al-Qaida in Iraq (QE.J.115.04), since at least Jan. 2012. Brings Syrian and foreign Al-Qaida in Iraq (QE.J.115.04) and Asbat al-Ansar (QE.A.7.01) fighters, along with other foreign Al-Qaida operatives, to join local elements in Syria to carry out terrorist and guerrilla operations there. Previously listed between 30 May 2013 and 13 May 2014 as an aka of Al-Qaida in Iraq (QE.J.115.04.).

**QE.A.4.01. Name:** AL-QAIDA

**Name (original script):** القاعدة

**A.k.a.:** a) "The Base" b) Al Qaeda c) Islamic Salvation Foundation d) The Group for the Preservation of the Holy Sites e) The Islamic Army for the Liberation of Holy Places f) The World Islamic Front for Jihad Against Jews and Crusaders g) Usama Bin Laden Network h) Usama Bin Laden Organization i) Al Qa'ida j) Al Qa'ida/Islamic Army (formerly listed as) **F.k.a.:** na **Address:** na **Listed on:** 6 Oct. 2001 (amended on 5 Mar. 2009, 21 Mar. 2012) **Other information:** Review pursuant to Security Council resolution 1822 (2008) was concluded on 21 Jun. 2010.

**QE.J.115.04. Name:** AL-QAIDA IN IRAQ

**Name (original script):** القاعده في العراق

**A.k.a.:** a) AQL b) al-Tawhid c) the Monotheism and Jihad Group d) Qaida of the Jihad in the Land of the Two Rivers e) Al-Qaida of Jihad in the Land of the Two Rivers f) The Organization of Jihad's Base in the Country of the Two Rivers g) The Organization Base of Jihad/Country of the Two Rivers h) The Organization Base of Jihad/Mesopotamia i) Tanzim Qa'idat Al-Jihad fi Bilad al-Rafidayn j) Tanzeem Qa'idat al Jihad/Bilad al Raafidaini k) Jama'at Al-Tawhid Wa'al-Jihad l) JTJ m) Islamic State of Iraq n) ISI o) al-Zarqawi network p) Islamic State in Iraq and the Levant **F.k.a.:** na **Address:** na **Listed on:** 18 Oct. 2004 (amended on 2 Dec. 2004, 5 Mar. 2009, 13 Dec. 2011, 30 May 2013, 13 May 2014, 2 Jun. 2014) **Other information:** Review pursuant to Security Council resolution 1822 (2008) was concluded on 25 May 2010.

**QE.A.129.10. Name:** AL-QAIDA IN THE ARABIAN PENINSULA (AQAP)

**Name (original script):** القاعدة في جزيرة العرب

**A.k.a.:** a) Al-Qaida of Jihad Organization in the Arabian Peninsula b) Tanzim Qa'idat al-Jihad fi Jazirat al-Arab c) Al-Qaida Organization in the Arabian Peninsula (AQAP) d) Al-Qaida in the South Arabian Peninsula e) Ansar al-Shari'a (AAS) **F.k.a.:** Al-Qaida in Yemen (AQY) **Address:** na **Listed on:** 19 Jan. 2010 (amended on 4 Oct. 2012) **Other information:** AQAP is a regional affiliate of Al-Qaida (QE.A.4.01) and an armed group operating primarily in Arabian Peninsula. Location: Yemen. Alternative location: Saudi Arabia (2004 – 2006). Formed in Jan. 2009 when Al-Qaida in

Yemen combined with Saudi Arabian Al-Qaida operatives. Leader of AQAP is Nasir 'abd-al-Karim 'Abdullah Al-Wahishi (QI.A.274.10.) and his deputy is Said Ali Al-Shihri (QI.A.275.10.). Ansar al-Shari'a was formed in early 2011 by AQAP and has taken responsibility for multiple attacks in Yemen against both government and civilian targets.

**QE.A.5.01. Name: AL RASHID TRUST**

**A.k.a.:** a) Al-Rasheed Trust b) Al Rasheed Trust c) Al-Rashid Trust d) Aid Organization of the Ulema, Pakistan e) Al Amin Welfare Trust f) Al Amin Trust g) Al Ameen Trust h) Al-Ameen Trust i) Al Madina Trust j) Al-Madina Trust **F.k.a.:** na **Address:** a) Kitas Ghar, Nazimabad 4, Dahgel-Iftah, Karachi, Pakistan b) Jamia Maajid, Sulalman Park, Melgium Pura, Lahore, Pakistan, Jamia Maajid, Sulalman Park, Melgium Pura, Lahore, Pakistan c) Office Dha'rbi-M'unin, Opposite Khyber Bank, Abbottabad Road, Mansehra, Pakistan d) Office Dha'rbi-M'unin ZR Brothers, Katcherry Road, Chowk Yadgaar, Peshawar, Pakistan e) Office Dha'rbi-M'unin, Rm No. 3, Moti Plaza, Near Liaquat Bagh, Muree Road, Rawalpindi, Pakistan f) Office Dha'rbi-M'unin, Top Floor, Dr. Dawa Khan Dental Clinic Surgeon, Main Baxae, Mingora, Swat, Pakistan g) Kitab Ghar, Darul Ifta Wal Irshad, Nazimabad No. 4, Karachi, Pakistan, Phone 6683301; Phone 0300-8209199; Fax 6623814 h) 302b-40, Good Earth Court, Opposite Pia Planitarium, Block 13a, Gulshan -I Igbal, Karachi, Pakistan; Phone 4979263 i) 617 Clifton Center, Block 5, 6th Floor, Clifton, Karachi, Pakistan; Phone 587-2545 j) j) 605 Landmark Plaza, 11 Chundrigar Road, Opposite Jang Building, Karachi, Pakistan; Phone 2623818-19 k) Jamia Masjid, Sulaiman Park, Begum Pura, Lahore, Pakistan; Phone 042-6812081 **Listed on:** 6 Oct. 2001 (amended on 21 Oct. 2008, 10 Dec. 2008, 13 Dec. 2011) **Other information:** Headquarters are in Pakistan. Operations in Afghanistan: Herat Jalalabad, Kabul, Kandahar, Mazar Sherif. Also operations in Kosovo, Chechnya. Involved in the financing of Al-Qaida and the Taliban. Until 21 Oct. 2008, this entity appeared also as "Aid Organization of the Ulema, Pakistan" (QE.A.73.02.), listed on 24 Apr. 2002 and amended on 25 Jul. 2006. The two entries Al Rashid Trust (QE.A.5.01.) and Aid Organization of the Ulema, Pakistan (QE.A.73.02.) were consolidated into this entity on 21 Oct. 2008. Founded by Mufti Rashid Ahmad Ledahyanoy (QI.L.30.01). Associated with Jaish-i-Mohammed (QE.J.19.01). Banned in Pakistan since Oct. 2001. Despite the closure of its offices in Pakistan in February 2007 it has continued its activities. Review pursuant to Security Council resolution 1822 (2008) was concluded on 6 May 2010.

**QE.A.98.03. Name: ANSAR AL-ISLAM**

**Name (original script):** أنصار الإسلام

**A.k.a.:** a) Devotees of Islam b) Jund al-Islam c) Soldiers of Islam d) Kurdistan Supporters of Islam e) Supporters of Islam in Kurdistan f) Followers of Islam in Kurdistan g) Kurdish Taliban h) Soldiers of God i) Ansar al-Sunna Army j) Jaish Ansar al-Sunna k) Ansar al-Sunna **F.k.a.:** na **Address:** na **Listed on:** 24 Feb. 2003 (amended on 31 Mar. 2004, 5 Mar. 2009, 18 Mar. 2009, 21 Oct. 2010, 13 Dec. 2011) **Other information:** The founder is Najmuddin Faraj Ahmad (QI.A.226.06). Associated with Al-Qaida in Iraq (QE.J.115.04). Located and primarily active in northern Iraq but maintains a presence in western and central Iraq. Review pursuant to Security Council resolution 1822 (2008) was concluded on 21 Jun. 2010.

**QE.A.135.13 Name: ANSAR EDDINE**

**Name (original script):** أنصار الدين

**A.k.a.:** Ansar Dine **F.k.a.:** na **Address:** Mali **Listed on:** 20 Mar. 2013 **Other information:** Was founded in December 2011 by Iyad ag Ghali (QI.A.316.13.). Linked to the Organization of Al-Qaida in the Islamic Maghreb (QE.T.14.01) and Mouvement pour l'Unification et le Jihad en Afrique de l'Ouest (MUJAO) (QE.M.134.12). Associated with Abdelmalek Droukdel (QI.D.232.07.).

**QE.A.142.14. Name: ANSARUL MUSLIMINA FI BILADIS SUDAN**

**Name (original script):** أنصار المسلمين في بلاد السودان

**A.k.a.:** a) Ansaru b) Ansarul Muslimina fi Biladis Sudan c) Jama'atu Ansarul Muslimina fi Biladis Sudan (JAMBS) d) Jama'atu Ansarul Muslimina fi Biladis-Sudan (JAMBS) e) Jamma'atu Ansarul Muslimina fi Biladis-Sudan (JAMBS) f) Vanguard for the Protection of Muslims in Black Africa g) Vanguard for the Protection of Muslims in Black Africa **F.k.a.:** na **Address:** Nigeria **Listed on:** 26 Jun. 2014 **Other information:** Terrorist and paramilitary group established in 2012 and operating in Nigeria. Associated with the Organization of Al-Qaida in the Islamic Maghreb (AQIM) (QE.T.14.01), Jama'atu Ahlis Sunna Lidda'Awati Wal-Jihad (Boko Haram) (QE.B.138.14) and Abubakar Mohammed Shekau (QI.S.322.14).

**QE.A.6.01. Name: ARMED ISLAMIC GROUP**

**Name (original script):** الجماعة الإسلامية المسلحة

**A.k.a.:** a) Al Jamm'ah Al-Islamiah Al- Musallah b) GIA c) Groupe Islamique Armé **F.k.a.:** na **Address:** Algeria **Listed on:** 6 Oct. 2001 (amended on 7 Apr. 2008, 13 Dec. 2011) **Other information:** Review pursuant to Security Council resolution 1822 (2008) was concluded on 21 Jun. 2010.

**QE.A.7.01. Name:** ASBAT AL-ANSAR

**Name (original script):** عصبة الأنصار

**A.k.a.:** na **F.k.a.:** na **Address:** Ein el-Hilweh camp, Lebanon **Listed on:** 6 Oct. 2001 (amended on 30 Jan. 2009, 13 Dec. 2011) **Other information:** Active in northern Iraq. Associated with Al-Qaida in Iraq (QE.J.115.04). Review pursuant to Security Council resolution 1822 (2008) was concluded on 21 Jun. 2010.

**QE.B.93.02. Name:** BENEVOLENCE INTERNATIONAL FOUNDATION

**A.k.a.:** a) Al Bir Al Dawalia b) BIF c) BIF-USA d) Mezhdunarodnyj Blagotvoritel'nyl Fond **F.k.a.:** na **Address:** a) 8820 Mobile Avenue, IA, Oak Lawn, Illinois, 60453, United States of America b) P.O. Box 548, Worth, Illinois, 60482, United States of America c) (Formerly located at) 9838 S. Roberts Road, Suite 1W, Palos Hills, Illinois, 60465, United States of America d) (Formerly located at) 20-24 Branford Place, Suite 705, Newark, New Jersey, 07102, United States of America e) P.O. Box 1937, Khartoum, Sudan f) Bangladesh g) Gaza Strip h) Yemen **Listed on:** 21 Nov. 2002 (amended on 24 Jan. 2003, 28 Apr. 2011, 18 May 2012) **Other information:** Employer Identification Number (United States of America): 36-3823186. Associated with Benevolence International Fund (QE.B.94.02). Review pursuant to Security Council resolution 1822 (2008) was concluded on 22 Jun. 2010.

**QE.D.102.03. Name:** DJAMAT HOUMAT DAAWA SALAFIA (DHDS)

**Name (original script):** جماعة حماة الدعوة السلفية

**A.k.a.:** Djamaat Houmah Al-Dawah Al-Salafiat **F.k.a.:** Katibat el Ahouel **Address:** Algeria **Listed on:** 11 Nov. 2003 (amended on 26 Nov. 2004, 7 Apr. 2008, 25 Jan. 2010, 13 Dec. 2011) **Other information:** Associated with the Armed Islamic Group (GIA) (QE.A.6.01) and the Organization of Al-Qaida in the Islamic Maghreb (QE.T.14.01). Review pursuant to Security Council resolution 1822 (2008) was concluded on 30 Jul. 2009.

**QE.E.88.02. Name:** EASTERN TURKISTAN ISLAMIC MOVEMENT (ETIM)

**A.k.a.:** a) The Eastern Turkistan Islamic Party b) The Eastern Turkistan Islamic Party of Allah c) Islamic Party of Turkestan d) Djamaat Turkistan **F.k.a.:** na **Address:** na **Listed on:** 11 Sep. 2002 (amended on 3 Oct. 2008, 13 Dec. 2011) **Other information:** Active in China, South Asia and Central Asia. Review pursuant to Security Council resolution 1822 (2008) was concluded on 20 May 2010.

**QE.A.3.01. Name:** EGYPTIAN ISLAMIC JIHAD

**Name (original script):** الجهاد الإسلامي المصري

**A.k.a.:** a) Egyptian Al-Jihad b) Jihad Group c) New Jihad d) Al-Jihad e) Egyptian Islamic Movement **F.k.a.:** na **Address:** na **Listed on:** 6 Oct. 2001 (amended on 5 Mar. 2009, 13 Dec. 2011) **Other information:** Co-founded by Aiman Muhammed Rabi al-Zawahiri (QI.A.6.01), who was also its military leader. Review pursuant to Security Council resolution 1822 (2008) was concluded on 21 Jun. 2010.

**QE.E.131.11. Name:** EMARAT KAVKAZ

**Name (original script):** Эмират Кавказ

**A.k.a.:** na **F.k.a.:** na **Address:** na **Listed on:** 29 Jul. 2011 **Other information:** Mainly active in the Russian Federation, Afghanistan and Pakistan. Led by Doku Khamatovich Umarov (QI.U.290.11.)

**QE.G.91.02. Name:** GLOBAL RELIEF FOUNDATION (GRF)

**A.k.a.:** na **F.k.a.:** na **Address:** a) 9935 South 76th Avenue, Unit 1, Bridgeview, Illinois, 60455, United States of America b) P.O. Box 1406, Bridgeview, Illinois, 60455, United States of America **Listed on:** 22 Oct. 2002 (amended on 26 Nov. 2004, 20 Dec. 2005, 25 Jul. 2006, 24 Mar. 2009, 11 Mar. 2010, 25 Mar. 2010, 28 Apr. 2011, 21 Feb. 2012, 14 Feb. 2014) **Other information:** Other Foreign Locations: Afghanistan, Bangladesh, Eritrea, Ethiopia, India, Iraq, West Bank and Gaza, Somalia and Syria. Federal Employer Identification Number (United States of America): 36-3804626. Review pursuant to Security Council resolution 1822 (2008) was concluded on 21 Jun. 2010.

**QE.H.130.10. Name:** HAKARAT-UL JIHAD ISLAMI**Name (original script):** حركة الجهاد الإسلامي**A.k.a.:** a) HUJI b) Movement of Islamic Holy War c) Harkat-ul-Jihad-al Islami d) Harkat-al-Jihad-ul Islami e) Harkat-ul-Jehad-al-Islami f) Harakat ul Jihad-e-Islami **F.k.a.:** a) Harakat-ul-Ansar b) HUA **Address:** na **Listed on:** 6 Aug. 2010 (amended on 13 Dec. 2011) **Other information:** Was established in Afghanistan in 1980. In 1993, Harakat-ul Jihad Islami merged with Harakat ul-Mujahidin (QE.H.8.01) to form Harakat ul-Ansar. In 1997, Harakat-ul Jihad Islami split from Harakat ul-Ansar and resumed using its former name. Operations are in India, Pakistan and Afghanistan. Banned in Pakistan.**QE.H.8.01. Name:** HAKARAT UL-MUJAHIDIN / HUM**A.k.a.:** a) Al-Faran b) Al-Hadid c) Al-Hadith d) Harakat Ul-Ansar e) HUA f) Harakat Ul- Mujahideen **F.k.a.:** na **Address:** Pakistan **Listed on:** 6 Oct. 2001 (amended on 13 Dec. 2011) **Other information:** Associated with Jaish-i-Mohammed (QE.J.19.01), Lashkar i Jhangvi (LJ) (QE.L.96.03) and Lashkar-e-Tayyiba (QE.L.118.05). Active in Pakistan and Afghanistan. Banned in Pakistan. Review pursuant to Security Council resolution 1822 (2008) was concluded on 21 Jun. 2010.**QE.I.9.01. Name:** ISLAMIC ARMY OF ADEN**A.k.a.:** na **F.k.a.:** na **Address:** na **Listed on:** 6 Oct. 2001 **Other information:** Review pursuant to Security Council resolution 1822 (2008) was concluded on 9 Jul. 2010.**QE.I.99.03. Name:** ISLAMIC INTERNATIONAL BRIGADE (IIB)**A.k.a.:** a) The Islamic Peacekeeping Brigade b) The Islamic Peacekeeping Army c) The International Brigade d) Islamic Peacekeeping Battalion e) International Battalion f) Islamic Peacekeeping International Brigade **F.k.a.:** na **Address:** na **Listed on:** 4 Mar. 2003 (amended on 13 Dec. 2011) **Other information:** Linked to the Riyadus-Salikhin Reconnaissance and Sabotage Battalion of Chechen Martyrs (RSRSBCM) (QE.R.100.03) and the Special Purpose Islamic Regiment (SPIR) (QE.S.101.03). Review pursuant to Security Council resolution 1822 (2008) was concluded on 17 May 2010.**QE.I.119.05. Name:** ISLAMIC JIHAD GROUP**A.k.a.:** a) Jama'at al-Jihad b) Libyan Society c) Kazakh Jama'at d) Jamaat Mojahedin e) Jamiyat f) Jamiat al-Jihad al-Islami g) Dzhamaat Modzhakhedov h) Islamic Jihad Group of Uzbekistan i) al-Djihad al-Islami j) Zamaat Modzhakhedov Tsentralnoy Asii k) Islamic Jihad Union **F.k.a.:** na **Address:** na **Listed on:** 1 Jun. 2005 (amended on 19 Apr. 2006, 20 Feb. 2008, 13 Dec. 2011) **Other information:** Founded and led by Najmiddin Kamolitdinovich Jalolov (QI.J.240.08) and Suhayl Fatilloevich Buranov (QI.B.239.08). Associated with the Islamic Movement of Uzbekistan (QE.I.10.01) and Emarat Kavkaz (QE.E.131.11). Active in the Afghanistan/Pakistan border area, Central Asia, South Asia region and some European States. Review pursuant to Security Council resolution 1822 (2008) was concluded on 20 May 2010.**QE.I.10.01. Name:** ISLAMIC MOVEMENT OF UZBEKISTAN**A.k.a.:** IMU **F.k.a.:** na **Address:** na **Listed on:** 6 Oct. 2001 (amended on 13 Dec. 2011) **Other information:** Associated with the Eastern Turkistan Islamic Movement (QE.E.88.02), Islamic Jihad Group (QE.I.119.05) and Emarat Kavkaz (QE.E.131.11). Active in the Afghanistan/Pakistan border area, northern Afghanistan and Central Asia. Review pursuant to Security Council resolution 1822 (2008) was concluded on 21 Jun. 2010.**QE.J.19.01. Name:** JAISH-I-MOHAMMED**A.k.a.:** Army of Mohammed **F.k.a.:** na **Address:** Pakistan **Listed on:** 17 Oct. 2001 (amended on 13 Dec. 2011) **Other information:** Based in Peshawar and Muzaffarabad, Pakistan Associated with Harakat ul-Mujahidin / HUM (QE.H.8.01), Lashkar-e-Tayyiba (QE.L.118.05), Al-Akhtar Trust International (QE.A.121.05), and Harakat-ul Jihad Islami (QE.H.130.10). Banned in Pakistan. Review pursuant to Security Council resolution 1822 (2008) was concluded on 21 Jun. 2010.**QE.B.138.14. Name:** JAMA'ATU AHLIS SUNNA LIDDA'AWATI WAL-JIHAD**A.k.a.:** a) Jama'atu Ahlus-Sunnah Lidda'Awati Wal Jihad b) Jama'atu Ahlus-Sunna Lidda'Awati Wal Jihad c) جماعة أهل السنة للدعوة والجهاد d) Boko Haram e) Western Education is a Sin **F.k.a.:** na **Address:** Nigeria **Listed on:** 22 May 2014 **Other information:** Affiliate of Al-Qaida (QE.A.4.01), and the Organization of Al-Qaida in the Islamic Maghreb (AQIM) (QE.T.14.01). Associated with Jama'atu Ansarul Muslimina Fi Biladis-Sudan (Ansaru). The leader is Abubakar Shekau.



**QE.J.20.01. Name: JAM'YAH TA'AWUN AL-ISLAMIA**

**A.k.a.:** a) Society of Islamic Cooperation b) Jam'iyat Al Ta'awun Al Islamiyya c) Jit **F.k.a.:** na **Address:** Kandahar City, Afghanistan **Listed on:** 17 Oct. 2001 (amended on 13 Dec. 2011) **Other information:** Founded by Usama Mohammad Awad bin Laden (QI.B.8.01) in 2001. Review pursuant to Security Council resolution 1822 (2008) was concluded on 21 Jun. 2010.

**QE.J.92.02. Name: JEMAAH ISLAMIYAH**

**A.k.a.:** a) Jema'ah Islamiyah b) Jemaah Islamiya c) Jemaah Islamiah d) Jamaah Islamiyah e) Jama'ah Islamiyah **F.k.a.:** na **Address:** na **Listed on:** 25 Oct. 2002 (amended on 13 Dec. 2011) **Other information:** Operates in Southeast Asia, including Indonesia, Malaysia and the Philippines. Associated with the Abu Sayyaf Group (QE.A.1.01). Review pursuant to Security Council resolution 1822 (2008) was concluded on 25 May 2010.

**QE.J.133.12. Name: JEMMAH ANSHORUT TAUHID (JAT)**

**A.k.a.:** a) Jemaah Anshorut Tauhid b) Jemmah Ansharut Tauhid c) Jem'mah Ansharut Tauhid d) Jamaah Ansharut Tauhid e) Jama'ah Ansharut Tauhid f) Laskar 99 **F.k.a.:** na **Address:** Jl. Semenromo number 58, 04/XV Ngruki, Cemani, Grogol, Sukoharjo, Jawa Tengah, Indonesia, Telephone: 0271-2167285, Email: info@ansharuttauhid.com **Listed on:** 12 Mar. 2012 **Other information:** Founded and led by Abu Bakar Ba'asyir (QI.B.217.06.). Established on 27 Jul. 2008 in Solo, Indonesia. Associated with Jemmah Islamiya (JI) (QE.J.92.02.). Website: http://ansharuttauhid.com/

**QE.L.118.05. Name: LASHKAR-E-TAYYIBA**

**A.k.a.:** a) Lashkar-e-Toiba b) Lashkar-i-Taiba c) al Mansoorian d) al Mansooreen e) Army of the Pure f) Army of the Righteous g) Army of the Pure and Righteous h) Paasban-e-Kashmir i) Paasban-i-Ahle-Hadith j) Pasban-e-Kashmir k) Pasban-e-Ahle-Hadith l) Paasban-e-Ahle-Hadis m) Pashan-e-ahle Hadis n) Lashkar e Tayyaba o) LET p) Jamaat-ud-Dawa q) JUD r) Jama'at al-Dawa s) Jamaat ud-Daawa t) Jamaat ul-Dawah u) Jamaat-ul-Dawa v) Jama'at-i-Dawat w) Jama'at-ud-Dawa x) Jama'at-ud-Da'awah y) Jama'at-ud-Da'awa z) Jamaati-ud-Dawa aa) Falah-i-Insaniat Foundation (FIF) **F.k.a.:** na **Address:** na **Listed on:** 2 May 2005 (amended on 3 Nov. 2005, 10 Dec. 2008, 14 Mar. 2012) **Other information:** Associated with Hafiz Muhammad Saeed (QI.S.263.08) who is the leader of Lashkar-e-Tayyiba. Review pursuant to Security Council resolution 1822 (2008) was concluded on 8 Jun. 2010.

**QE.L.96.03. Name: LASHKAR I JHANGVI (LJ)**

**A.k.a.:** na **F.k.a.:** na **Address:** na **Listed on:** 3 Feb. 2003 (amended on 13 Dec. 2011) **Other information:** Based primarily in Pakistan's Punjab region and in the city of Karachi. Active in Pakistan although banned as at 2010. Review pursuant to Security Council resolution 1822 (2008) was concluded on 21 Jun. 2010.

**QE.L.11.01. Name: LIBYAN ISLAMIC FIGHTING GROUP**

**Name (original script):** الجماعة الإسلامية المقاتلة الليبية

**A.k.a.:** LIFG **F.k.a.:** na **Address:** Libyan Arab Jamahiriya **Listed on:** 6 Oct. 2001 (amended on 5 Mar. 2009, 13 Dec. 2011) **Other information:** Members in Afghanistan merged with Al-Qaida (QE.A.4.01) in Nov. 2007. Review pursuant to Security Council resolution 1822 (2008) was concluded on 21 Jun. 2010.

**QE.M.12.01. Name: MAKHTAB AL-KHIDAMAT**

**Name (original script):** مكتب الخدمات

**A.k.a.:** a) MAK b) Al Kifah **F.k.a.:** na **Address:** na **Listed on:** 6 Oct. 2001 (amended on 5 Mar. 2009, 13 Dec. 2011) **Other information:** Absorbed into Al-Qaida (QE.A.4.01.). Review pursuant to Security Council resolution 1822 (2008) was concluded on 21 Jun. 2010.

**QE.M.89.02. Name: MOROCCAN ISLAMIC COMBATANT GROUP**

**Name (original script):** الجماعة الإسلامية المغربية المقاتلة

**A.k.a.:** a) Groupe Islamique Combattant Marocain b) GICM **F.k.a.:** na **Address:** Morocco **Listed on:** 10 Oct. 2002 (amended on 5 Mar. 2009) **Other information:** Associated with the Organization of Al-Qaida in the Islamic Maghreb (QE.T.14.01). Review pursuant to Security Council resolution 1822 (2008) was concluded on 20 May 2010.

**QE.M.134.12. Name: MOUVEMENT POUR L'UNIFICATION ET LE JIHAD EN AFRIQUE DE L'OUEST (MUJAO)****Name (original script):** حركة التوحيد والجهاد في غرب إفريقيا**A.k.a.:** na **F.k.a.:** na **Address:** a) Mali b) Algeria **Listed on:** 5 Dec. 2012 **Other information:** Associated with The Organization of Al-Qaida in the Islamic Maghreb (QE.T.14.01.) and Mokhtar Belmokhtar (QI.B.136.03.). Active in the Sahel/Sahara region.**QE.M.136.13 Name: MUHAMMAD JAMAL NETWORK (MJN)****Name (original script):** شبكة محمد جمال**A.k.a.:** a) Muhammad Jamal Group b) Jamal Network c) Abu Ahmed Group d) Al-Qaida in Egypt (AQE) **F.k.a.:** na **Address:** Operates in Egypt, Libya and Mali **Listed on:** 21 Oct. 2013 **Other information:** Terrorist and paramilitary group established by Muhammad Jamal al Kashif (QI.A.318.13) in 2011 and linked to Al-Qaida (QE.A.4.01), Aiman al-Zawahiri (QI.A.6.01), and the leadership of Al-Qaida in the Arabian Peninsula (AQAP) (QE.A.129.10) and the Organization of Al-Qaida in the Islamic Maghreb (AQIM) (QE.T.14.01). Funded and supported by AQAP. Multiple terrorist training camps in Egypt and Libya. Reportedly acquiring weapons, conducting training and establishing terrorist groups in the Sinai, Egypt. Training suicide bombers, foreign fighters and planning terrorist attacks in Egypt, Libya and elsewhere as of Sep. 2013. MJN members were reported to be involved in the attack on the United States Mission in Benghazi, Libya, on 11 Sep. 2012.**QE.R.21.01. Name: RABITA TRUST****A.k.a.:** na **F.k.a.:** na **Address:** a) Room 9a, 2nd Floor, Wahdat Road, Education Town, Lahore, Pakistan b) Wares Colony, Lahore, Pakistan (at time of listing) **Listed on:** 17 Oct. 2001 (amended on 21 Mar. 2012) **Other information:** Wa'el Hamza Abd al-Fatah Julaidan (QI.J.79.02) served as its Director General. Banned in Pakistan. Review pursuant to Security Council resolution 1822 (2008) was concluded on 21 Jun. 2010.**QE.R.128.08. Name: RAJAH SOLAIMAN MOVEMENT****A.k.a.:** a) Rajah Solaiman Islamic Movement b) Rajah Solaiman Revolutionary Movement **F.k.a.:** na **Address:** a) Barangay Mal-Ong, Anda, Pangasinan Province, Philippines b) Sitio Dueg, Barangay Maasin, San Clemente, Tarlac Province, Philippines c) Number 50, Purdue Street, Cubao, Quezon City, Philippines **Listed on:** 4 Jun. 2008 (amended on 13 Dec. 2011) **Other information:** Founded and headed by Hilarion Del Rosario Santos III (QI.S.244.08). Associated with the Abu Sayyaf Group (QE.A.1.01.) and Jemaah Islamiyah (QE.J.92.02.) the International Islamic Relief Organization, Philippines, branch offices (QE.I.126.06.) and Khadafi Abubakar Janjalani (QI.J.180.04.). Review pursuant to Security Council resolution 1822 (2008) was concluded on 13 May 2010.**QE.R.70.02. Name: REVIVAL OF ISLAMIC HERITAGE SOCIETY****Name (original script):** جمعية احياء التراث الاسلامي**A.k.a.:** a) Revival of Islamic Society Heritage on the African Continent b) Jamia Ihya ul Turath c) RIHS d) Jamiat Ihia Al-Turath Al-Islamiya **F.k.a.:** na **Address:** a) Pakistan b) Afghanistan **Listed on:** 11 Jan. 2002 (amended on 25 Jul. 2006, 5 Mar. 2009, 13 Dec. 2011) **Other information:** NOTE: Only the Pakistan and Afghanistan offices of this entity are designated. Associated with Abu Bakr al-Jaziri (QI.A.58.02) and Afghan Support Committee (ASC) (QE.A.69.02). Review pursuant to Security Council resolution 1822 (2008) was concluded on 8 Jun. 2010.**QE.R.100.03. Name: RIYADUS-SALIKHIN RECONNAISSANCE AND SABOTAGE BATTALION OF CHECHEN MARTYRS (RSRSBCM)****A.k.a.:** a) Riyadus-Salikhin Reconnaissance and Sabotage Battalion b) Riyadh-as-Saliheen c) The Sabotage and Military Surveillance Group of the Riyadh al-Salihin Martyrs d) Firqat al-Takhrib wa al-Istilla al-Askariyah li Shuhada Riyadh al-Salihin e) Riyadus-Salikhin Reconnaissance and Sabotage battalion of Shahids (martyrs) **F.k.a.:** na **Address:** na **Listed on:** 4 Mar. 2003 (amended on 25 Jul. 2006, 13 Dec. 2011) **Other information:** Associated with the Islamic International Brigade (IIB) (QE.I.99.03), the Special Purpose Islamic Regiment (SPIR) (QE.S.101.03) and Emarat Kavkaz (QE.E.131.11). Review pursuant to Security Council resolution 1822 (2008) was concluded on 17 May 2010.**QE.S.101.03. Name: SPECIAL PURPOSE ISLAMIC REGIMENT (SPIR)****A.k.a.:** a) The Islamic Special Purpose Regiment b) The al-Jihad-Fisi-Sabilillah Special Islamic Regiment c) Islamic Regiment of Special Meaning **F.k.a.:** na **Address:** na **Listed on:** 4 Mar. 2003 (amended on 25 Jul. 2006, 13 Dec. 2011) **Other information:** Linked to the Islamic International Brigade (IIB) (QE.I.99.03) and the Riyadus-Salikhin Reconnaissance and Sabotage Battalion of Chechen Martyrs (RSRSBCM) (QE.R.100.03). Review pursuant to Security

Council resolution 1822 (2008) was concluded on 17 May 2010.

**QE.T.108.04. Name:** TAIBAH INTERNATIONAL-BOSNIA OFFICES

**A.k.a.:** a) Taibah International Aid Agency b) Taibah International Aid Association c) Al Taibah, Intl. d) Taibah International Aide Association **F.k.a.:** na **Address:** a) 6 Avde Smajlovica Street, Novo Sarajevo, Bosnia and Herzegovina b) 26 Tabhanska Street, Visoko, Bosnia and Herzegovina c) 3 Velika Cilna Ulica, Visoko, Bosnia and Herzegovina d) 26 Tabhanska Street, Visoko, Bosnia and Herzegovina **Listed on:** 11 May 2004 (amended on 24 Mar. 2009) **Other information:** In 2002-2004, Taibah International – Bosnia offices used premises of the Culture Home in Hadzici, Sarajevo, Bosnia and Herzegovina. The organization was officially registered in Bosnia and Herzegovina as a branch of Taibah International Aid Association under registry number 7. Taibah International – Bosnia offices ceased its work by decision of the Ministry of Justice of the Bosnia and Herzegovina Federation (decision on cessation of operation number 03-05-2-70/03). Review pursuant to Security Council resolution 1822 (2008) was concluded on 21 Jun. 2010.

**QE.T.132.11. Name:** TEHRIK-E TALIBAN PAKISTAN (TTP)

**Name (original script):** تحريك طالبان پاکستان

**A.k.a.:** a) Tehrik-I-Taliban Pakistan b) Tehrik-e-Taliban c) Pakistani Taliban d) Tehreek-e-Taliban **F.k.a.:** na **Address:** na **Listed on:** 29 Jul. 2011 **Other information:** Tehrik-e Taliban is based in the tribal areas along the Afghanistan/Pakistan border. Formed in 2007, its leader is Hakimullah Mehsud (QI.M.286.10.). Wali Ur Rehman (QI.U.287.10.) is the Emir of TTP for South Waziristan.

**QE.T.14.01. Name:** THE ORGANIZATION OF AL-QAIDA IN THE ISLAMIC MAGHREB

**Name (original script):** تنظيم القا عدة ببلاد المغرب الاسلامي

**A.k.a.:** a) AQIM b) Al Qa'ida au Maghreb islamique (AQMI) **F.k.a.:** a) Le Groupe Salafiste pour La Prédication et le Combat (GSPC) b) Salafist Group For Call and Combat **Address:** a) Algeria b) Mali c) Mauritania d) Morocco e) Niger f) Tunisia **Listed on:** 6 Oct. 2001 (amended on 26 Apr. 2007, 7 Apr. 2008, 17 Jul. 2009, 13 Dec. 2011) **Other information:** Headed by Abdelmalek Droukdel (QI.D.232.07.). Zone of operation includes Algeria and parts of Mali, Mauritania, Niger, Tunisia and Morocco. Review pursuant to Security Council resolution 1822 (2008) was concluded on 21 Jun. 2010.

**QE.T.90.02. Name:** TUNISIAN COMBATANT GROUP

**Name (original script):** الجماعة التونسية المقاتلة

**A.k.a.:** a) Groupe Combattant Tunisien b) Groupe Islamiste Combattant Tunisien c) GICT **F.k.a.:** na **Address:** Tunisia **Listed on:** 10 Oct. 2002 (amended on 26 Nov. 2004, 5 Mar. 2009, 13 Dec. 2011) **Other information:** Associated with the Organization of Al-Qaida in the Islamic Maghreb (QE.T.14.01). Review pursuant to Security Council resolution 1822 (2008) was concluded on 6 May 2010.

**QE.U.68.01. Name:** UMMAH TAMEER E-NAU (UTN)

**A.k.a.:** na **F.k.a.:** na **Address:** a) Street 13, Wazir Akbar Khan, Kabul, Afghanistan b) Pakistan **Listed on:** 24 Dec. 2001 (amended on 13 Dec. 2011) **Other information:** Its directors included Mahmood Sultan Bashir-Ud-Din (QI.B.55.01), Majeed Abdul Chaudhry (QI.A.54.01) and Mohammed Tufail (QI.T.56.01). Banned in Pakistan. Review pursuant to Security Council resolution 1822 (2008) was concluded on 21 Jun. 2010.

**QE.W.15.01. Name:** WAFSA HUMANITARIAN ORGANIZATION

**A.k.a.:** a) Al Wafa b) Al Wafa Organization c) Wafa Al-Igatha Al-Islamia **F.k.a.:** na **Address:** a) Jordan House No. 125, Street 54, Phase II Hayatabad, Peshawar, Pakistan (at time of listing) b) Saudi Arabia (at time of listing) c) Kuwait (at time of listing) d) United Arab Emirates (at time of listing) e) Afghanistan (at time of listing) **Listed on:** 6 Oct. 2001 (amended on 21 Mar. 2012) **Other information:** Headquarters was in Kandahar, Afghanistan as at 2001. Wafa was a component of Al-Qaida (QE.A.4.01) in 2001. Review pursuant to Security Council resolution 1822 (2008) was concluded on 21 Jun. 2010.

## Lista estabelecida e mantida pelo Comité de Sanções contra a Al-Qaida relativa a pessoas singulares, grupos, empresas e outras entidades associados à Al-Qaida

Última actualização: 26 de Junho de 2014

### Composição da Lista

A lista é constituída pelas duas secções a seguir indicadas:

**A. Pessoas singulares associadas à Al-Qaida**

**B. Entidades e outros grupos e empresas associados à Al-Qaida**

As informações sobre as exclusões da lista podem ser encontradas na página electrónica do Comité em: <http://www.un.org/sc/committees/1267/delisting.shtml>.

#### **A. Pessoas singulares associadas à Al-Qaida**

**QIA.12.01. Nome:** 1: NASHWAN 2: ABD AL-RAZZAQ 3: ABD AL-BAQI  
4: —

**Nome (grafia original):** [*vide* versão original em língua inglesa]

**Título:** — **Cargo:** — **Data de nascimento:** 1961 **Local de nascimento:** Mosul, Iraque **Também conhecido por, suficiente para identificação:** a) Abdal Al-Hadi Al-Iraqi b) Abd Al-Hadi Al-Iraqi **Insuficiente para identificação:** Abu Abdallah **Nacionalidade:** iraquiana **Passaporte n.º:** — **N.º de identificação nacional:** — **Endereço:** — **Data de inserção na lista:** 6/10/2001 (alterada em 14/5/2007, 27/7/2007) **Outras informações:** Oficial superior da Al-Qaida. Sob custódia dos Estados Unidos da América, desde Julho de 2007. Revisão nos termos da Resolução n.º 1822 (2008) do Conselho de Segurança concluída em 15/6/2010.

**QIA.157.04. Nome:** 1: ABD AL WAHAB 2: ABD AL HAFIZ 3: — 4: —

**Nome (grafia original):** [*vide* versão original em língua inglesa]

**Título:** — **Cargo:** — **Data de nascimento:** 7/9/1967 **Local de nascimento:** Argel, Argélia **Também conhecido por, suficiente para identificação:** a) Ferdjani Mouloud b) Rabah Di Roma c) Abdel Wahab Abdelhafid, nascido em 30/10/1968 na

Argélia **Insuficiente para identificação:** a) Mourad b) Said **Nacionalidade:** — **Passaporte n.º:** — **N.º de identificação nacional:** — **Endereço:** — **Data de inserção na lista:** 17/3/2004 (alterada em 26/11/2004, 9/9/2005, 21/12/2007, 25/1/2010, 16/5/2011) **Outras informações:** Condenado à revelia em Itália a 5 anos de prisão. Objecto de um mandado de captura emitido pelas autoridades italianas em 19/5/2005. Dado como fugitivo pelas autoridades italianas desde Junho de 2009. Revisão nos termos da Resolução n.º 1822 (2008) do Conselho de Segurança concluída em 30/7/2009.

**QI.A.255.08. Nome:** 1: ADIL 2: MUHAMMAD 3: MAHMUD 4: ABD AL-KHALIQ

**Nome (grafia original):** [vide versão original em língua inglesa]

**Título:** — **Cargo:** — **Data de nascimento:** 2/3/1984 **Local de nascimento:** Barém **Também conhecido por, suficiente para identificação:** a) Adel Mohamed Mahmoud Abdul Khaliq b) Adel Mohamed Mahmood Abdul Khaled **Insuficiente para identificação:** — **Nacionalidade:** baremita **Passaporte n.º:** passaporte baremita n.º 1632207 **N.º de identificação nacional:** — **Endereço:** — **Data de inserção na lista:** 10/10/2008 (alterada em 24/7/2013) **Outras informações:** Agiu em nome da Al-Qaida e prestou apoio financeiro, material e logístico à Al-Qaida (inserido na lista com a referência permanente número QE.A.4.01.) e ao Grupo Islâmico Combatente Líbio (LIFG, inserido na lista com a referência permanente número QE.L.11.01.), incluindo o fornecimento de partes eléctricas utilizadas em explosivos, computadores, dispositivos de GPS e equipamento militar. Foi treinado pela Al-Qaida em armas de pequeno calibre e explosivos no sul asiático e combateu com a Al-Qaida no Afeganistão. Detido nos Emirados Árabes Unidos (EAU) em Janeiro de 2007 acusado de ser membro da Al-Qaida e do LIFG. Após a sua condenação nos EAU, em finais de 2007, foi transferido para o Barém no início de 2008 para cumprir o resto da pena.

**QI.A.289.11. Nome:** 1: SAID JAN 2: ‘ABD AL-SALAM 3: — 4: —

**Nome (grafia original):** [vide versão original em língua inglesa]

**Título:** — **Cargo:** — **Data de nascimento:** a) 5/2/1981 b) 1/1/1972 **Local de nascimento:** — **Também conhecido por, suficiente para identificação:** a) Sa'id Jan 'Abd-al-Salam b) Dilawar Khan Zain Khan, nascido em 1/1/1972 **Insuficiente**

**para identificação:** a) Qazi ‘Abdallah b) Qazi Abdullah c) Ibrahim Walid d) Qasi Sa’id Jan e) Said Jhan f) Farhan Khan g) Aziz Cairo h) Nangiali **Nacionalidade:** afegã **Passaporte n.º:** a) passaporte afegão n.º OR801168, emitido em 28/2/2006, caducado em 27/2/2011, em nome de Said Jan ‘Abd al-Salam b) passaporte paquistanês n.º 4117921, emitido em 9/9/2008, válido até 9/9/2013, emitido em nome de Dilawar Khan Zain Khan **N.º de identificação nacional:** identificação civil do Kuwait n.º 281020505755, em nome Said Jan ‘Abd al-Salam **Endereço:** — **Data de inserção na lista:** 9/2/2011 **Outras informações:** Em, aproximadamente, 2005 organizou um campo de “formação básica” para a Al-Qaida (QE.A.4.01.) no Paquistão.

**QI.A.192.05. Nome:** 1: ABD ALLAH 2: MOHAMED 3: RAGAB 4: ABDEL RAHMAN

**Nome (grafia original):** [vide versão original em língua inglesa]

**Título:** — **Cargo:** — **Data de nascimento:** 3/11/1957 **Local de nascimento:** Kafr Al-Shaykh, Egípto **Também conhecido por, suficiente para identificação:** a) Abu Al-Khayr b) Ahmad Hasan c) Abu Jihad **Insuficiente para identificação:** — **Nacionalidade:** egípcia **Passaporte n.º:** — **N.º de identificação nacional:** — **Endereço:** Pensa-se que se encontra no Paquistão ou no Afeganistão **Data de inserção na lista:** 29/9/2005 (alterada em 13/12/2011) **Outras informações:** Membro do Jihad Islâmico Egípcio (QE.A.3.01). Revisão nos termos da Resolução n.º 1822 (2008) do Conselho de Segurança concluída em 1/6/2010.

**QI.A.54.01. Nome:** 1: MAJEED 2: ABDUL CHAUDHRY 3: — 4: —

**Título:** — **Cargo:** — **Data de nascimento:** a) 15/4/1939 b) 1938 **Local de nascimento:** — **Também conhecido por, suficiente para identificação:** a) Majeed, Abdul b) Majeed Chaudhry Abdul c) Majid, Abdul **Insuficiente para identificação:** — **Nacionalidade:** paquistanesa **Passaporte n.º:** — **N.º de identificação nacional:** — **Endereço:** — **Data de inserção na lista:** 24/12/2001 **Outras informações:** Revisão nos termos da Resolução n.º 1822 (2008) do Conselho de Segurança concluída em 1/6/2010.

**QI.A.109.03. Nome:** 1: ZULKIFLI 2: ABDUL HIR 3: — 4: —

**Título:** — **Cargo:** — **Data de nascimento:** a) 5/1/1966 b) 5/10/1966 **Local de nascimento:** Muar Johor, Malásia **Também conhecido por, suficiente para identificação:** a) Musa Abdul Hir b) Muslimin Abdulmotalib c) Salim Alombra d) Armand Escalante e) Normina Hashim f) Henri Lawi g) Hendri Lawi h) Norhana Mohamad i) Omar Salem j) Ahmad Shobirin k) Bin Abdul Hir Zulkifli **Insuficiente para identificação:** a) Abdulhir Bin Hir b) Hassan c) Hogalu d) Hugalú e) Lagu f) Marwan **Nacionalidade:** malaia **Passaporte n.º:** A 11263265 **N.º de identificação nacional:** a) 660105-01-5297 b) carta de condução n.º D2161572 emitida na Califórnia, EUA **Endereço:** Seksyen 17, Shah Alam, Selangor, Malásia **Data de inserção na lista:** 9/9/2003 (alterada em 25/1/2010) **Outras informações:** Objecto de um mandado de captura, emitido pelo Tribunal do Distrito Norte da Califórnia, EUA, em 1/8/2007. Encontra-se em liberdade no sul das Filipinas. Filiação materna: Minah Binto Aogist Abd Aziz. Revisão nos termos da Resolução n.º 1822 (2008) do Conselho de Segurança concluída em 19/6/2009.

**QI.A.200.05. Nome:** 1: DIEMAN 2: ABDULKADIR IZZAT 3: — 4: —

**Nome (grafia original):** [*vide* versão original em língua inglesa]

**Título:** — **Cargo:** — **Data de nascimento:** 4/7/1965 **Local de nascimento:** Kirkuk, Iraque **Também conhecido por, suficiente para identificação:** Deiman Alhasenben Ali Aljabbari, nascido em 4/7/1965 **Insuficiente para identificação:** — **Nacionalidade:** iraquiana **Passaporte n.º:** documento de viagem alemão (“Reiseausweis”) A 0141062 (revogado desde Setembro de 2012) **N.º de identificação nacional:** — **Endereço:** Baviera, Alemanha. **Data de inserção na lista:** 6/12/2005 (alterada em 25/1/2010, 13/12/2011, 15/11/2012) **Outras informações:** Revisão nos termos da Resolução n.º 1822 (2008) do Conselho de Segurança concluída em 30/7/2009.

**QI.A.18.01. Nome:** 1: ABDUL MANAN AGHA 2: — 3: — 4: —

**Nome (grafia original):** [*vide* versão original em língua inglesa]

**Título:** Haji **Cargo:** — **Data de nascimento:** — **Local de nascimento:** — **Também conhecido por, suficiente para identificação:** Abdul Manan **Insuficiente para identificação:** a) Abdul Man’am Saiyid b) Saiyid Abd al-Man (como inserido anteriormente na lista) **Nacionalidade:** — **Passaporte n.º:** — **N.º de**

**identificação nacional:** — **Endereço:** — **Data de inserção na lista:** 17/10/2001 (alterada em 26/6/2013) **Outras informações:** Paquistão. Revisão nos termos da Resolução n.º 1822 (2008) do Conselho de Segurança concluída em 15/6/2010.

**QI.A.295.11. Nome:** 1: MUHAMMAD 2: JIBRIL 3: ABDUL RAHMAN 4: —

**Título:** — **Cargo:** — **Data de nascimento:** a) 28/5/1984 b) 3/12/1979 c) 3/3/1979 (de passaporte falso) **Local de nascimento:** Lombok Oriental, Nusa Tenggara Ocidental, Indonésia **Também conhecido por, suficiente para identificação:** a) Mohammad Jibril Abdurrahman b) Muhammad Jibriel Abdul Rahman c) Mohammad Jibriel Abdurrahman d) Muhamad Ricky Ardhan, nascido em 8/8/1980, (constante do passaporte indonésio falso n.º S335026) e) Muhammad Ricky Ardhan bin Muhammad Iqbal f) Muhammad Ricky Ardhan bin Abu Jibril **Insuficiente para identificação:** a) Muhammad Yunus b) Heris Syah **Nacionalidade:** indonésia **Passaporte n.º:** — **N.º de identificação nacional:** a) bilhete de identidade indonésio n.º 3219222002.2181558 b) identificação n.º 2181558 **Endereço:** a) Jalan M. Saidi RT 010 RW 001 Pesangrahan, South Petukangan, sul de Jacarta, Indonésia b) Jalan Nakula of Witana Harja Complex Block C, Pamulang, Banten, Indonésia **Data de inserção na lista:** 12/8/2011 **Outras informações:** Membro veterano do Jemaah Islamiyah (QE.J.92.02.) directamente envolvido na obtenção de fundos para ataques terroristas. Condenado na Indonésia a uma pena de cinco anos de prisão em 29/6/2010. Filiação paterna: Mohamad Iqbal Abdurrahman (QI.A.86.03.).

**QI.A.229.07. Nome:** 1: ALY 2: SOLIMAN 3: MASSOUD 4: ABDUL SAYED

**Título:** — **Cargo:** — **Data de nascimento:** 1969 **Local de nascimento:** Trípoli, Jamahiriya Árabe Líbia **Também conhecido por, suficiente para identificação:** a) Ibn El Qaim b) Mohamed Osman **Insuficiente para identificação:** Adam **Nacionalidade:** líbia **Passaporte n.º:** passaporte líbio n.º 96/184442 **N.º de identificação nacional:** — **Endereço:** Ghout El Shamal, Trípoli, Jamahiriya Árabe Líbia **Data de inserção na lista:** 8/6/2007 (alterada em 13/12/2011) **Outras informações:** Membro do Grupo Islâmico Combatente Líbio (QE.L.11.01). Revisão nos termos da Resolução n.º 1822 (2008) do Conselho de Segurança concluída em 24/11/2009.



**QI.A.86.03. Nome:** 1: MOHAMAD 2: IQBAL 3: ABDURRAHMAN 4: —

**Título:** — **Cargo:** — **Data de nascimento:** a) 17/8/1957 b) 17/8/1958 **Local de nascimento:** a) Korleko-Lombok Timur, Indonésia b) aldeia de Tirpas-Selong, Lombok Oriental, Indonésia **Também conhecido por, suficiente para identificação:** a) Rahman, Mohamad Iqbal b) A Rahman, Mohamad Iqbal c) Abu Jibril Abdurrahman d) Fikiruddin Muqti e) Fihiruddin Muqti f) Abdul Rahman, Mohamad Iqbal **Insuficiente para identificação:** — **Nacionalidade:** indonésia **Passaporte n.º:** — **N.º de identificação nacional:** 3603251708570001 **Endereço:** Jalan Nakula, Komplek Witana Harja III Blok C 106-107, Tangerang, Indonésia **Data de inserção na lista:** 28/1/2003 (alterada em 26/11/2004, 16/5/2011, 10/6/2011) **Outras informações:** Revisão nos termos da Resolução n.º 1822 (2008) do Conselho de Segurança concluída em 8/6/2010.

**QI.A.309.12. Nome:** 1: ABDUR REHMAN 2: — 3: — 4: —

**Nome (grafia original):** [vide versão original em língua inglesa]

**Título:** — **Cargo:** — **Data de nascimento:** 3/10/1965 **Local de nascimento:** Mirpur Khas, Paquistão **Também conhecido por, suficiente para identificação:** a) Abdul Rehman; Abd Ur-Rehman; Abdur Rahman b) [texto em árabe], (Abdul Rehman Sindhi; Abdul Rehman al-Sindhi; Abdur Rahman al-Sindhi; Abdur Rehman Sindhi; Abdurahman Sindhi) c) [texto em árabe] (Abdullah Sindhi) **Insuficiente para identificação:** Abdur Rehman Muhammad Yamin **Nacionalidade:** paquistanesa **Passaporte n.º:** passaporte paquistanês n.º CV9157521, emitido em 8/9/2008, válido até 7/9/2013 **N.º de identificação nacional:** bilhete de identidade paquistanês n.º 44103-5251752-5 **Endereço:** Carachi, Paquistão **Data de inserção na lista:** 14/3/2012 **Outras informações:** Promoveu e prestou serviços financeiros à Al-Qaida (QE.A.4.01.). Associado ao Harakatul Jihad Islami (QE.H.130.10.), ao Jaish-I-Mohammed (QE.J.19.01.), e ao Crédito Internacional Al-Akhtar (QE.A.121.05.).

**QI.A.285.10. Nome:** 1: MUHAMMAD 2: ABDALLAH 3: HASAN 4: ABU-AL-KHAYR

**Nome (grafia original):** [vide versão original em língua inglesa]

**Título:** — **Cargo:** — **Data de nascimento:** a) 19/6/1975 b) 18/6/1975 **Local de nascimento:** Al-Madinah al-Munawwarah, Arábia Saudita **Também conhecido por,**

**suficiente para identificação:** a) Mohammed Abdullah Hassan Abul-Khair b) Muhammad Abdallah Hasan Abu-al-Khayr c) Muhammad Bin- ‘Abdullah Bin-Hamd Abu-al-Khayr d) Abdallah al-Halabi e) ‘Abdallah al-Halabi al-Madani f) Abdallah al-Makki g) Abdallah el-Halabi h) Abdallah al-Halabi i) Abu ‘Abdallah al-Halabi  
**Insuficiente para identificação:** a) Abu Abdallah al-Madani b) Muhannad al-Jaddawi  
**Nacionalidade:** saudita **Passaporte n.º:** passaporte saudita n.º A741097, emitido em 14/11/1995 e caducado em 19/9/2000. **N.º de identificação nacional:** identificação saudita n.º 1006010555 **Endereço:** — **Data de inserção na lista:** 24/8/2010 **Outras informações:** Consta de uma lista, datada de 2009, de 85 pessoas procuradas pelo Governo da Arábia Saudita.

**QI.A.130.03. Nome:** 1: MOHAMED 2: GHASSAN 3: ALI 4: ABU DHESS

**Nome (grafia original):** [*vide* versão original em língua inglesa]

**Título:** — **Cargo:** — **Data de nascimento:** 22/6/1966 **Local de nascimento:** Irbid, Jordânia **Também conhecido por, suficiente para identificação:** a) Yaser Hassan, nascido em 1/2/1966 em Hasmija b) Abu Ali Abu Mohamed Dhees, nascido em 1/2/1966 em Hasmija c) Mohamed Abu Dhees, nascido em 1/2/1966 em Hashmija, Iraque **Insuficiente para identificação:** — **Nacionalidade:** jordana **Passaporte n.º:** a) documento internacional de viagem alemão n.º: 0695982, caducado b) documento internacional de viagem alemão n.º: 0785146, válido até 8/4/2004 **N.º de identificação nacional:** — **Endereço:** Alemanha **Data de inserção na lista:** 23/9/2003 (alterada em 23/12/2008, 11/3/2010, 10/6/2011) **Outras informações:** Filiação paterna: Mouhemad Saleh Hassan. Filiação materna: Mariam Hassan, nome de solteira Chalabia. Associado a Ismail Abdallah Sbaitan Shalabi (QI.S.128.03.), a Djamel Moustfa (QI.M.129.03.) e a Aschraf Al-Dagma (QI.A.132.03.). Revisão nos termos da Resolução n.º 1822 (2008) do Conselho de Segurança concluída em 19/1/2010.

**QI.A.224.06. Nome:** 1: ISMAIL 2: MOHAMED 3: ISMAIL 4: ABU SHAWEESH

**Nome (grafia original):** [*vide* versão original em língua inglesa]

**Título:** — **Cargo:** — **Data de nascimento:** 10/3/1977 **Local de nascimento:** Benghazi, Jamahiriya Árabe Líbia **Também conhecido por, suficiente para identificação:** — **Insuficiente para identificação:** — **Nacionalidade:** apátrida palestino **Passaporte n.º:** a) documento de viagem egípcio, passaporte n.º

0003684 **b)** passaporte egípcio n.º 981354 **N.º de identificação nacional:** —  
**Endereço:** Alemanha **Data de inserção na lista:** 2/8/2006 (alterada em 11/3/2010, 13/12/2011) **Outras informações:** Detido desde 22/5/2005. Irmão de Yasser Mohamed Ismail Abu Shaweesh (QI.A.201.05). Revisão nos termos da Resolução n.º 1822 (2008) do Conselho de Segurança concluída em 24/11/2009.

**QI.A.201.05. Nome:** 1: YASSER 2: MOHAMED 3: ISMAIL 4: ABU SHAWEESH

**Nome (grafia original):** [*vide* versão original em língua inglesa]

**Título:** — **Cargo:** — **Data de nascimento:** 20/11/1973 **Local de nascimento:** Benghazi, Jamahiriya Árabe Líbia **Também conhecido por, suficiente para identificação:** Yasser Mohamed Abou Shaweesh **Insuficiente para identificação:** — **Nacionalidade:** apátrida palestino **Passaporte n.º:** a) passaporte substituto C00071659 emitido pela República Federal da Alemanha **b)** passaporte egípcio 0003213 **c)** documento de viagem egípcio 939254 **d)** passaporte egípcio 981358 **N.º de identificação nacional:** — **Endereço:** preso na Alemanha **Data de inserção na lista:** 6/12/2005 (alterada em 7/9/2007, 11/3/2010, 28/9/2010, 13/12/2011) **Outras informações:** Condenado a uma pena de 5 anos e 6 meses de prisão na Alemanha em 6/12/2007. Irmão de Ismail Mohamed Ismail Abu Shaweesh (QI.A.224.06.). Revisão nos termos da Resolução n.º 1822 (2008) do Conselho de Segurança concluída em 24/11/2009.

**QI.A.304.12. Nome:** 1: MOCHAMMAD 2: ACHWAN 3: — 4: —

**Título:** — **Cargo:** — **Data de nascimento:** a) 4/5/1948 **b)** 4/5/1946 **Local de nascimento:** Tulungagung, Indonésia **Também conhecido por, suficiente para identificação:** a) Muhammad Achwan **b)** Muhammad Akhwan **c)** Mochtar Achwan **d)** Mochtar Akhwan **e)** Mochtar Akwan **Insuficiente para identificação:** — **Nacionalidade:** indonésia **Passaporte n.º:** — **N.º de identificação nacional:** bilhete de identidade indonésio n.º 3573010405480001 em nome de Mochammad Achwan **Endereço:** Jalan Ir. H. Juanda 8/10, RT/RW 002/001, Jodipan, Blimbing, Malang, Indonésia **Data de inserção na lista:** 12/3/2012 **Outras informações:** Emir da Jemmah Anshorut Tauhid (JAT) (QE.J.133.12.). Associado a Abu Bakar Ba'asyir (QI.B.217.06), a Abdul Rahim Ba'aysir (QI.B.293.11) e ao Jemaah Islamiyah (QE.J.92.02.).

**QI.A.316.13 Nome:** 1: IYAD 2: AG GHALI 3: — 4: —

**Nome (grafia original):** [*vide* versão original em língua inglesa]

**Título:** — **Cargo:** — **Data de nascimento:** 1954 **Local de nascimento:** Abeibara, Região de Kidal, Mali **Também conhecido por, suficiente para identificação:** — **Insuficiente para identificação:** — **Nacionalidade:** maliano **Passaporte n.º:** — **N.º de identificação nacional:** — **Endereço:** Mali **Data de inserção na lista:** 25/2/2013 **Outras informações:** Fundador e líder da Ansar Eddine. Membro da tribo Tuareg Ifogas. Ligado à Organização da Al-Qaida no Magrebe Islâmico (QE.T.14.01) e ao “Mouvement pour l’Unification et le Jihad en Afrique de l’Ouest” (MUJAO) (QE.M.134.12).

**QI.A.203.05. Nome:** 1: FARHAD 2: KANABI 3: AHMAD 4: —

**Nome (grafia original):** [*vide* versão original em língua inglesa]

**Título:** — **Cargo:** — **Data de nascimento:** 1/7/1971 **Local de nascimento:** Arbil, Iraque **Também conhecido por, suficiente para identificação:** a) Kaua Omar Achmed b) Kawa Hamawandi (como inserido anteriormente na lista) **Insuficiente para identificação:** — **Nacionalidade:** iraquiana **Passaporte n.º:** documento de viagem alemão (“Reiseausweis”) A 0139243 (revogado desde Setembro de 2012) **N.º de identificação nacional:** — **Endereço:** Iraque **Data de inserção na lista:** 6/12/2005 (alterada em 31/7/2006, 25/1/2010, 13/12/2011, 15/11/2012) **Outras informações:** Libertado de prisão na Alemanha em 10/12/2010 e transferido para o Iraque em 6/12/2011. Revisão nos termos da Resolução n.º 1822 (2008) do Conselho de Segurança concluída em 5/10/2009.

**QI.A.226.06. Nome:** 1: NAJMUDDIN 2: FARAJ 3: AHMAD 4: —

**Título:** — **Cargo:** — **Data de nascimento:** a) 7/7/1956 b) 17/6/1963 **Local de nascimento:** Olaqloo Sharbajer, província de Al-Sulaymaniyah, Iraque **Também conhecido por, suficiente para identificação:** a) Mullah Krekar b) Fateh Najm Eddine Farraj c) Faraj Ahmad Najmuddin **Insuficiente para identificação:** — **Nacionalidade:** iraquiana **Passaporte n.º:** — **N.º de identificação nacional:** — **Endereço:** Heimdalsgate 36-V, 0578 Oslo, Noruega **Data de inserção na lista:** 7/12/2006 **Outras informações:** Revisão nos termos da Resolução n.º 1822 (2008) do Conselho de Segurança concluída em 20/5/2010.

**QI.A.237.08. Nome:** 1: JABER 2: ABDALLAH 3: JABER 4: AHMAD AL-JALAHMAH

**Nome (grafia original):** [vide versão original em língua inglesa]

**Título: — Cargo: — Data de nascimento:** 24/9/1959 **Local de nascimento:** zona de Al-Khitan, Kowait **Também conhecido por, suficiente para identificação:** a) Jaber Al-Jalamah b) Abu Muhammad Al-Jalahmah c) Jabir Abdallah Jabir Ahmad Jalahmah d) Jabir ‘Abdallah Jabir Ahmad Al-Jalamah e) Jabir Al-Jalhami **Insuficiente para identificação:** a) Abdul-Ghani b) Abu Muhammad **Nacionalidade:** koweitiana **Passaporte n.º:** a) 101423404 b) passaporte koweitiano n.º 2541451, válido até 16/2/2017 c) passaporte koweitiano n.º 002327881 **N.º de identificação nacional:** identificação koweitiana n.º 259092401188 **Endereço:** Kowait, (residência em Março de 2009) **Data de inserção na lista:** 16/1/2008 (alterada em 1/7/2008, 23/7/2008, 25/1/2010) **Outras informações:** Revisão nos termos da Resolução n.º 1822 (2008) do Conselho de Segurança concluída em 14/9/2009.

**QI.A.14.01. Nome:** 1: TARIQ 2: ANWAR 3: EL SAYED 4: AHMED

**Nome (grafia original):** [vide versão original em língua inglesa]

**Título: — Cargo: — Data de nascimento:** 15/3/1963 **Local de nascimento:** Alexandria, Egipto **Também conhecido por, suficiente para identificação:** a) Hamdi Ahmad Farag b) Amr Al-Fatih Fathi c) Tarek Anwar El Sayed Ahmad **Insuficiente para identificação: — Nacionalidade:** egípcia **Passaporte n.º: — N.º de identificação nacional: — Endereço: — Data de inserção na lista:** 6/10/2001 (alterada em 26/11/2004, 18/7/2007, 16/5/2011) **Outras informações:** Alegadamente falecido em Outubro de 2001. Revisão nos termos da Resolução n.º 1822 (2008) do Conselho de Segurança concluída em 29/7/2010.

**QI.A.193.05. Nome:** 1: ZAKI 2: EZAT 3: ZAKI 4: AHMED

**Nome (grafia original):** [vide versão original em língua inglesa]

**Título: — Cargo: — Data de nascimento:** 21/4/1960 **Local de nascimento:** a) Sharqiyah, Egipto b) Zaqaziq, Egipto **Também conhecido por, suficiente para identificação:** a) Rif'at Salim b) Abu Usama **Insuficiente para identificação: — Nacionalidade:** egípcia **Passaporte n.º: — N.º de identificação nacional: —**

**Endereço:** Possivelmente na zona da fronteira Paquistão/Afeganistão **Data de inserção na lista:** 29/9/2005 (alterada em 13/12/2011) **Outras informações:** Filiação paterna: Ahmed Ezat Zaki. Membro do Jihad Islâmico Egípcio (QE.A.3.01). Revisão nos termos da Resolução n.º 1822 (2008) do Conselho de Segurança concluída em 1/6/2010.

**QI.A.161.04. Nome:** 1: FARID 2: AIDER 3: — 4: —

**Nome (grafia original):** [*vide* versão original em língua inglesa]

**Título:** — **Cargo:** — **Data de nascimento:** 12/10/1964 **Local de nascimento:** Argel, Argélia **Também conhecido por, suficiente para identificação:** a) Achour Ali b) Terfi Farid **Insuficiente para identificação:** Abdallah **Nacionalidade:** argelina **Passaporte n.º:** — **N.º de identificação nacional:** — **Endereço:** — **Data de inserção na lista:** 17/3/2004 (alterada em 26/11/2004, 25/1/2010, 16/5/2011) **Outras informações:** Código fiscal italiano DRAFRD64R12Z301C. Condenado a uma pena de 8 anos de prisão, em Itália, em Março de 2002. Objecto de um mandado de captura emitido pelas autoridades italianas em 16/11/2007. Dado como fugitivo pelas autoridades italianas desde 14/12/2007. Revisão nos termos da Resolução n.º 1822 (2008) do Conselho de Segurança concluída em 30/7/2009.

**QI.A.313.13 Nome:** 1: DJAMEL 2: AKKACHA 3: — 4: —

**Nome (grafia original):** [*vide* versão original em língua inglesa]

**Título:** — **Cargo:** — **Data de nascimento:** 9/5/1978 **Local de nascimento:** Rouiba, Argel, Argélia **Também conhecido por, suficiente para identificação:** a) Yahia Abou el Hoummam b) Yahia Abou el Hammam **Insuficiente para identificação:** — **Nacionalidade:** argelina **Passaporte n.º:** — **N.º de identificação nacional:** — **Endereço:** Mali **Data de inserção na lista:** 5/2/2013 **Outras informações:** Filiação paterna: Slimane. Filiação materna: Akrouf Khadidja. Coordenador de grupos associados à Organização da Al-Qaida no Magrebe Islâmico (QE.T.14.01.) no norte do Mali.

**QI.A.91.03. Nome:** 1: MOHAMED 2: AMINE 3: AKLI 4: —

**Nome (grafia original):** [*vide* versão original em língua inglesa]

**Título: — Cargo: — Data de nascimento:** 30/3/1972 **Local de nascimento:** Bordj el Kiffane, Argélia **Também conhecido por, suficiente para identificação:** a) Akli Amine Mohamed b) Killech Shamir c) Kali Sami **Insuficiente para identificação:** Elias **Nacionalidade:** argelina **Passaporte n.º: — N.º de identificação nacional: — Endereço:** Argélia **Data de inserção na lista:** 25/6/2003 (alterada em 12/4/2006, 17/10/2007, 16/5/2011) **Outras informações:** Filiação paterna: Lounes. Filiação materna: Kadidja. Interdito de entrar no espaço Schengen. Expulso de Espanha para a Argélia em Agosto de 2009. Revisão nos termos da Resolução n.º 1822 (2008) do Conselho de Segurança concluída em 15/6/2010.

**QI.A.236.08. Nome:** 1: HAMID 2: ABDALLAH 3: AHMAD 4: AL-ALI

**Nome (grafia original):** [vide versão original em língua inglesa]

**Título: — Cargo: — Data de nascimento:** 20/1/1960 **Local de nascimento:** Kowait **Também conhecido por, suficiente para identificação:** a) Dr. Hamed Abdullah Al-Ali b) Hamed Al-‘Ali c) Hamed bin ‘Abdallah Al-‘Ali d) Hamid ‘Abdallah Al-‘Ali e) Hamid ‘Abdallah Ahmad Al-‘Ali f) Hamid bin Abdallah Ahmed Al-Ali g) Hamid Abdallah Ahmed Al-Ali **Insuficiente para identificação:** Abu Salim **Nacionalidade:** koweitiana **Passaporte n.º:** passaporte koweitiano n.º 1739010 emitido no Kowait, em 26/5/2003, e caducado em 25/5/2008 **N.º de identificação nacional: — Endereço:** Kowait (residência em Março de 2009) **Data de inserção na lista:** 16/1/2008 (alterada em 1/7/2008, 23/7/2008, 25/1/2010) **Outras informações:** Revisão nos termos da Resolução n.º 1822 (2008) do Conselho de Segurança concluída em 14/9/2009.

**QI.A.92.03. Nome:** 1: MEHREZ 2: BEN MAHMOUD 3: BEN SASSI 4: AL-AMDOUNI

**Nome (grafia original):** [vide versão original em língua inglesa]

**Título: — Cargo: — Data de nascimento:** 18/12/1969 **Local de nascimento:** Asima-Tunis, Tunísia **Também conhecido por, suficiente para identificação:** a) Fabio Fusco, nascido em 25/5/1968 em Nápoles, Itália b) Fabio Fusco, nascido em 18/12/1968 na Tunísia c) Fabio Fusco, nascido em 25/5/1968 na Argélia d) Mohamed Hassan e) Meherez Hamdouni f) Amdouni Mehrez ben Tah, nascido em 14/7/1969 na Tunísia g) Meherez ben Ahdoud ben Amdouni **Insuficiente para**

**identificação:** Abu Thale **Nacionalidade:** tunisina **Passaporte n.º:** passaporte tunisino n.º G737411, emitido em 24/10/1990, caducado em 20/9/1997 **N.º de identificação nacional:** — **Endereço:** Itália **Data de inserção na lista:** 25/6/2003 (alterada em 26/11/2004, 20/12/2005, 17/10/2007, 16/9/2008, 24/3/2009, 12/7/2010, 16/5/2011) **Outras informações:** Filiação paterna: Mahmoud ben Sasi. Filiação materna: Maryam bint al-Tijani. Interdito de entrar no espaço Schengen. Revisão nos termos da Resolução n.º 1822 (2008) do Conselho de Segurança concluída em 22/4/2010.

**QI.A.60.02. Nome:** 1: MOHAMED 2: BEN BELGACEM 3: BEN ABDALLAH 4: AL-AOUADI

**Nome (grafia original):** [*vide* versão original em língua inglesa]

**Título:** — **Cargo:** — **Data de nascimento:** 11/12/1974 **Local de nascimento:** Tunes, Tunísia **Também conhecido por, suficiente para identificação:** a) Aouadi, Mohamed Ben Belkacem b) Fathi Hannachi **Insuficiente para identificação:** — **Nacionalidade:** tunisina **Passaporte n.º:** passaporte tunisino n.º L 191609 emitido em 28/2/1996, caducado em 27/2/2001 **N.º de identificação nacional:** 04643632 emitido em 18/6/1999 **Endereço:** 50th Street, number 23, Zehrouni, Tunes, Tunísia **Data de inserção na lista:** 24/4/2002 (alterada em 10/4/2003, 26/11/2004, 9/9/2005, 20/12/2005, 31/7/2006, 7/6/2007, 23/12/2010) **Outras informações:** Código fiscal italiano: DAOMMD74T11Z352Z. Filiação materna: Ourida Bint Mohamed. Expulso de Itália para a Tunísia em 1/12/2004. Revisão nos termos da Resolução n.º 1822 (2008) do Conselho de Segurança concluída em 22/4/2010.

**QI.A.171.04. Nome:** 1: AQEEL 2: ABDULAZIZ 3: AQEEL 4: AL-AQEEL

**Nome (grafia original):** [*vide* versão original em língua inglesa]

**Título:** — **Cargo:** — **Data de nascimento:** 29/4/1949 **Local de nascimento:** Uneizah, Arábia Saudita **Também conhecido por, suficiente para identificação:** a) Aqeel Abdulaziz Al-Aqil b) Ageel Abdulaziz A. Alageel **Insuficiente para identificação:** — **Nacionalidade:** saudita **Passaporte n.º:** a) passaporte n.º C 1415363 - emitido em 21/5/2000 (16/2/1421H) b) passaporte n.º E 839024, emitido em 3/1/2004, caducado em 8/11/2008 **N.º de identificação nacional:** — **Endereço:** Arábia Saudita (em Abril de 2009) **Data de inserção na lista:** 6/7/2004 (alterada em 23/4/2007, 17/7/2009, 13/12/2011) **Outras informações:** Detido na



Arábia Saudita em Novembro de 2010. Revisão nos termos da Resolução n.º 1822 (2008) do Conselho de Segurança concluída em 19/10/2009.

**QI.A.291.11. Nome:** 1: IBRAHIM 2: HASSAN 3: TALI 4: AL-ASIRI

**Nome (grafia original):** [vide versão original em língua inglesa]

**Título:** — **Cargo:** — **Data de nascimento:** a) 19/4/1982 b) 18/4/1982 c) 24/06/1402 (calendário hegírico) **Local de nascimento:** Riade, Arábia Saudita **Também conhecido por, suficiente para identificação:** a) Ibrahim Hassan Tali Asiri [texto em árabe] b) Ibrahim Hasan Talea Aseeri c) Ibrahim Hassan al-Asiri d) Ibrahim Hasan Tali Asiri e) Ibrahim Hassan Tali Assiri f) Ibrahim Hasan Tali'A 'Asiri g) Ibrahim Hasan Tali al-'Asiri h) Ibrahim al-'Asiri i) Ibrahim Hassan Al Asiri **Insuficiente para identificação:** a) Abu Saleh b) Abosslah c) Abu-Salaah **Nacionalidade:** saudita **Passaporte n.º:** passaporte saudita n.º F654645, emitido em 30/4/2005, caducado em 7/3/2010. Data de emissão no calendário hegírico 24/06/1426. Data de validade no calendário hegírico 21/03/1431. **N.º de identificação nacional:** identificação civil saudita n.º 1028745097 **Endereço:** Iémen **Data de inserção na lista:** 24/3/2011 **Outras informações:** Operante e principal fabricante de bombas da Al-Qaida na Península Arábica (AQAP) (QE.A.129.10.). Encontrava-se supostamente escondido no Iémen em Março de 2011. Procurado pela Arábia Saudita. Alerta laranja da INTERPOL (processo #2009/52/OS/CCC, #81) emitido em seu nome. Também associado a Nasir 'abd-al-Karim 'Abdullah Al-Wahishi (QI.A.274.10.), Said Ali al-Shihri (QI.A.275.10.), Qasim Yahya Mahdi al-Rimi (QI.A.282.10.), e a Anwar Nasser Abdulla Al-Aulaqi (QI.A.283.10.).

**QI.A.283.10. Nome:** 1: ANWAR 2: NASSER 3: ABDULLA 4: AL-AULAQI

**Nome (grafia original):** [vide versão original em língua inglesa]

**Título:** — **Cargo:** — **Data de nascimento:** a) 21/4/1971 b) 22/4/1971 **Local de nascimento:** Las Cruces, Novo México, Estados Unidos da América **Também conhecido por, suficiente para identificação:** a) Anwar al-Aulaqi b) Anwar al-Awlaki c) Anwar al-Awlaqi d) Anwar Nasser Aulaqi e) Anwar Nasser Abdullah Aulaqi f) Anwar Nasser Abdulla Aulaqi **Insuficiente para identificação:** — **Nacionalidade:** a) norte-americana b) iemenita **Passaporte n.º:** — **N.º de identificação nacional:** — **Endereço:** — **Data de inserção na lista:** 20/7/2010

(alterada em 30/11/2011) **Outras informações:** Morte confirmada em 30/9/2011 no Iémen.

**QI.A.93.03. Nome:** 1: CHIHHEB 2: BEN MOHAMED 3: BEN MOKHTAR 4: AL-AYARI

**Nome (grafia original):** [vide versão original em língua inglesa]

**Título: — Cargo: — Data de nascimento:** 19/12/1965 **Local de nascimento:** Tunes, Tunísia **Também conhecido por, suficiente para identificação:** a) Hichem Abu Hchem b) Ayari Chihbe c) Ayari Chied d) Adam Hussainy, nascido em 19/12/1965 na Grécia **Insuficiente para identificação:** a) Hichem b) Abu Hichem c) Moktar **Nacionalidade:** tunisina **Passaporte n.º:** passaporte tunisino n.º L246084, emitido em 10/6/1996, caducado em 9/6/2001 **N.º de identificação nacional: — Endereço:** Bardo, Tunes, Tunísia **Data de inserção na lista:** 25/6/2003 (alterada em 20/12/2005, 17/10/2007, 10/8/2009, 16/5/2011) **Outras informações:** Extraditado de Itália para a Tunísia em 13/4/2006. Filiação materna: Fatima al-Tumi. Interdito de entrar no espaço Schengen. Revisão nos termos da Resolução n.º 1822 (2008) do Conselho de Segurança concluída em 22/4/2010.

**QI.A.138.03. Nome:** 1: SAID 2: BEN ABDELHAKIM 3: BEN OMAR 4: AL-CHERIF

**Nome (grafia original):** [vide versão original em língua inglesa]

**Título: — Cargo: — Data de nascimento:** 25/1/1970 **Local de nascimento:** Manzil Tmim, Tunísia **Também conhecido por, suficiente para identificação:** a) Cherif Said, nascido em 25/1/1970 na Tunísia b) Binhamoda Hokri, nascido em 25/1/1970 em Sosa, Tunísia c) Hcrif Ataf, nascido em 25/1/1971 em Solisse, Tunísia d) Bin Homoda Chokri, nascido em 25/1/1970 em Tunes, Tunísia e) Atef Cherif, nascido em 12/12/1973 na Argélia f) Sherif Ataf, nascido em 12/12/1973 em Aras, Argélia g) Ataf Cherif Said, nascido em 12/12/1973, em Tunes, Tunísia h) Cherif Said, nascido em 25/1/1970, em Tunes, Tunísia i) Cherif Said, nascido em 12/12/1973, na Argélia **Insuficiente para identificação:** a) Djallal b) Youcef c) Abou Salman d) Said Tmimi **Nacionalidade:** tunisina **Passaporte n.º:** passaporte tunisino n.º M307968, emitido em 8/9/2001, caducado em 7/9/2006 **N.º de identificação nacional: — Endereço:** Corso Lodi 59, Milão, Itália **Data de inserção na lista:** 12/11/2003 (alterada em 20/12/2005, 21/12/2007, 30/1/2009,

16/5/2011) **Outras informações:** Filiação materna: Radhiyah Makki. Condenado pelo Tribunal de Recurso de Milão, Itália, em 7/2/2008, a uma pena de oito anos e dez meses de prisão por pertencer a uma associação terrorista. Sentença confirmada pelo Supremo Tribunal italiano em 15/1/2009, com efeitos a partir de Fevereiro de 2008. Objecto de expulsão de Itália para a Tunísia após cumprimento da pena. Revisão nos termos da Resolução n.º 1822 (2008) do Conselho de Segurança concluída em 6/5/2010.

**QI.A.231.07. Nome:** 1: SALEM 2: NOR ELDIN 3: AMOHAMED 4: AL-DABSKI

**Nome (grafia original):** [*vide* versão original em língua inglesa]

**Título:** — **Cargo:** — **Data de nascimento:** 1963 **Local de nascimento:** Trípoli, Jamahiriya Árabe Líbia **Também conhecido por, suficiente para identificação:** a) Abu Al-Ward b) Abdullah Ragab **Insuficiente para identificação:** a) Abu Naim b) Abdallah al- Masri **Nacionalidade:** líbia **Passaporte n.º:** a) passaporte líbio n.º 1990/345751 b) passaporte líbio n.º 345751 **N.º de identificação nacional:** identificação nacional líbia n.º 220334 **Endereço:** Bab Ben Ghasheer, Trípoli, Jamahiriya Árabe Líbia **Data de inserção na lista:** 8/6/2007 (alterada em 13/12/2011) **Outras informações:** Filiação materna: Kalthoum Abdul Salam al-Shaftari. Membro veterano do Grupo Islâmico Combatente Líbio (QE.L.11.01) e membro da Al-Qaida (QE.A.4.01). Revisão nos termos da Resolução n.º 1822 (2008) do Conselho de Segurança concluída em 24/11/2009.

**QI.A.132.03. Nome:** 1: ASCHRAF 2: AL-DAGMA 3: — 4: —

**Nome (grafia original):** [*vide* versão original em língua inglesa]

**Título:** — **Cargo:** — **Data de nascimento:** 28/4/1969 **Local de nascimento:** Abasan, Faixa de Gaza, Territórios Palestínianos **Também conhecido por, suficiente para identificação:** Aschraf Al-Dagma, nascido em 28/4/1969 em Kannyouiz, Territórios Palestínianos **Insuficiente para identificação:** — **Nacionalidade:** desconhecida/origem palestíniana **Passaporte n.º:** documento de viagem para refugiados emitido pelo “Landratsamt Altenburger Land” (Serviços de Administração do Condado de Attenbug), Alemanha, datado de 30/4/2000 **N.º de identificação nacional:** — **Endereço:** Alemanha **Data de inserção na lista:** 23/9/2003 (alterada em 23/12/2008, 11/3/2010, 10/6/2011) **Outras informações:**

Associado a Ismail Abdallah Sbaitan Shalabi (QI.S.128.03.), a Djamel Moustfa (QI.M.129.03.) e a Mohamed Abu Dhess (QI.A.130.03.). Revisão nos termos da Resolução n.º 1822 (2008) do Conselho de Segurança concluída em 19/1/2010.

**QI.A.278.10. Nome:** 1: MUTHANNA 2: HARITH 3: AL-DARI 4: —

**Nome (grafia original):** [vide versão original em língua inglesa]

**Título:** Doutor **Cargo:** — **Data de nascimento:** 16/6/1969 **Local de nascimento:** Iraque **Também conhecido por, suficiente para identificação:** a) Dr. Muthanna Al Dari b) Muthana Harith Al Dari c) Muthanna Harith Sulayman Al-Dari d) Muthanna Harith Sulayman Al-Dhari e) Muthanna Hareth Al-Dhari f) Muthana Haris Al-Dhari g) Doutor Muthanna Harith Sulayman Al Dari Al-Zawba' h) Muthanna Harith Sulayman Al-Dari Al-Zobai i) Muthanna Harith Sulayman Al-Dari al-Zawba'i j) Muthanna Hareth al-Dari k) Muthana Haris al-Dari l) Doutor Muthanna al-Dari m) Dr. Muthanna Harith al-Dari al-Zowbai **Insuficiente para identificação:** — **Nacionalidade:** iraquiana **Passaporte n.º:** — **N.º de identificação nacional:** — **Endereço:** a) Amã, Jordânia b) Khan Dari, Iraque (anterior) c) aldeia de Asas, Abu Ghurayb, Iraque (anterior) d) Egipto (anterior) **Data de inserção na lista:** 25/3/2010 **Outras informações:** Prestou orientação operacional e apoio financeiro e outros serviços ou apoios à Al-Qaida no Iraque (QE.J.115.04.).

**QI.A.149.03. Nome:** 1: NOUREDDINE 2: BEN ALI 3: BEN BELKASSEM 4: AL-DRISSI

**Nome (grafia original):** [vide versão original em língua inglesa]

**Título:** — **Cargo:** — **Data de nascimento:** 30/4/1964 **Local de nascimento:** Tunes, Tunísia **Também conhecido por, suficiente para identificação:** Drissi Noureddine **Insuficiente para identificação:** a) Abou Ali b) Faycal **Nacionalidade:** tunisina **Passaporte n.º:** passaporte tunisino n.º L851940, emitido em 9/9/1998, caducado em 8/9/2003 **N.º de identificação nacional:** — **Endereço:** Via Plebiscito 3, Cermona, Itália **Data de inserção na lista:** 12/11/2003 (alterada em 20/12/2005, 31/7/2006, 21/12/2007, 16/5/2011) **Outras informações:** Sujeito a medidas administrativas de controlo em Itália até 5/5/2010. Interdito de entrar no espaço Schengen. Filiação materna: Khadijah al-Drissi. Revisão nos termos da Resolução n.º 1822 (2008) do Conselho de Segurança concluída em 22/4/2010.

**QI.A.59.02. Nome:** 1: KHALID 2: ABD AL-RAHMAN 3: HAMD 4: AL-FAWAZ

**Nome (grafia original):** [vide versão original em língua inglesa]

**Título:** — **Cargo:** — **Data de nascimento:** 24/8/1962 **Local de nascimento:** Kuwait **Também conhecido por, suficiente para identificação:** a) Al-Fauwaz, Khaled b) Al-Fauwaz, Khaled A. c) Al-Fawwaz, Khalid d) Al Fawwaz, Khalik e) Al-Fawwaz, Khaled f) Al Fawwaz, Khaled g) Khalid Abdulrahman H. Al Fawaz **Insuficiente para identificação:** — **Nacionalidade:** saudita **Passaporte n.º:** passaporte n.º 456682, emitido em 6/11/1990, caducado em 13/9/1995 **N.º de identificação nacional:** — **Endereço:** Londres, Reino Unido **Data de inserção na lista:** 24/4/2002 (alterada em 26/11/2004, 23/4/2007, 21/10/2010) **Outras informações:** Sob custódia no Reino Unido em Outubro de 2009. Revisão nos termos da Resolução n.º 1822 (2008) do Conselho de Segurança concluída em 22/4/2010.

**QI.A.228.06. Nome:** 1: MOHAMMED 2: AL GHABRA 3: — 4: —

**Título:** — **Cargo:** — **Data de nascimento:** 1/6/1980 **Local de nascimento:** Damasco, República Árabe Síria **Também conhecido por, suficiente para identificação:** — **Insuficiente para identificação:** — **Nacionalidade:** britânica **Passaporte n.º:** passaporte britânico n.º 094629366 **N.º de identificação nacional:** — **Endereço:** Londres Oriental, Reino Unido **Data de inserção na lista:** 12/12/2006 (alterada em 13/12/2011) **Outras informações:** Filiação paterna: Mohamed Ayman Ghabra. Filiação materna: Dalal. Revisão nos termos da Resolução n.º 1822 (2008) do Conselho de Segurança concluída em 5/10/2009.

**QI.A.292.11. Nome:** 1: OTHMAN 2: AHMED 3: OTHMAN 4: AL-GHAMDI

**Nome (grafia original):** [vide versão original em língua inglesa]

**Título:** — **Cargo:** — **Data de nascimento:** 27/5/1979 **Local de nascimento:** Arábia Saudita **Também conhecido por, suficiente para identificação:** a) Othman al-Ghamdi, nascido em 27/5/1979 na Arábia Saudita b) Uthman al-Ghamdi, nascido em 27/5/1979 na Arábia Saudita c) Uthman al-Ghamidi, nascido em 27/5/1979 na Arábia Saudita d) Othman bin Ahmed bin Othman Alghamdi e) Othman Ahmed Othman Al Omairah, nascido em 1973 em Shabwa, Iémen, nacionalidade: iemenita f) Uthman Ahmad Uthman al-Ghamdi g) Othman Ahmed Othman al-Omirah **Insuficiente para identificação:** a) Al Umairah al-Ghamdi b) Othman Bin Ahmed

Bin Othman **Nacionalidade:** saudita **Passaporte n.º:** — **N.º de identificação nacional:** bilhete de identidade saudita n.º 1089516791 **Endereço:** Iémen **Data de inserção na lista:** 16/6/2011 **Outras informações:** Comandante operacional da Al-Qaida na Península Arábica (AQAP) (QE.A.129.10.). Envolvido em acções de recolha de fundos e armas para operações e actividades da AQAP no Iémen. Conhecido associado de Qasim Yahya Mahdi al-Rimi (QI.A.282.10.) e de Fahd Mohammed Ahmed al-Quso (QI.A.288.10.). Alerta Laranja da INTERPOL (processo número 2009/52/OS/CCC, #14). Alerta Vermelho da INTERPOL (número de controlo A-596/3-2009, processo número 2009/3731). Filiação paterna: Ahmed Othman Al Omirah.

**QI.A.160.04. Nome:** 1: FETHI 2: BEN HASSEN 3: BEN SALEM 4: AL-HADDAD

**Nome (grafia original):** [vide versão original em língua inglesa]

**Título:** — **Cargo:** — **Data de nascimento:** a) 28/6/1963 b) 28/3/1963 **Local de nascimento:** Tataouene, Tunísia **Também conhecido por, suficiente para identificação:** a) Fethi ben Assen Haddad b) Fathy Hassan al Haddad **Insuficiente para identificação:** — **Nacionalidade:** tunisina **Passaporte n.º:** passaporte tunisino n.º L183017, emitido em 14/2/1996, caducado em 13/2/2001 **N.º de identificação nacional:** — **Endereço:** a) Number 184 Via Fulvio Testi – Cinisello Balsamo (MI), Itália b) Number 1 Via Porte Giove – Mortara (PV), Itália, (domicílio) **Data de inserção na lista:** 17/3/2004 (alterada em 26/11/2004, 20/12/2005, 21/12/2007, 25/1/2010, 16/5/2011) **Outras informações:** Código fiscal italiano: HDDFTH63H28Z352V. Revisão nos termos da Resolução n.º 1822 (2008) do Conselho de Segurança concluída em 30/7/2009.

**QI.A.140.03. Nome:** 1: KAMAL 2: BEN MAOELDI 3: BEN HASSAN 4: AL-HAMRAOUI

**Nome (grafia original):** [vide versão original em língua inglesa]

**Título:** — **Cargo:** — **Data de nascimento:** 21/10/1977 **Local de nascimento:** Beja, Tunísia **Também conhecido por, suficiente para identificação:** a) Hamroui Kamel ben Mouldi b) Hamraoui Kamel, nascido em 21/11/1977 em Marrocos, c) Hamraoui Kamel, nascido em 21/11/1977 na Tunísia d) Hamraoui Kamel, nascido em 20/10/1977 na Tunísia **Insuficiente para identificação:** a) Kamel b) Kimo

**Nacionalidade:** tunisina **Passaporte n.º:** passaporte tunisino n.º P229856, emitido em 1/11/2002, caducado em 31/10/2007 **N.º de identificação nacional:** —  
**Endereço:** a) Via Bertesi Number 27, Cremona, Itália b) Via Plebiscito Number 3, Cremona, Itália **Data de inserção na lista:** 12/11/2003 (alterada em 20/12/2005, 31/7/2006, 21/12/2007, 16/5/2011) **Outras informações:** Filiação materna: Khamisah al-Kathiri. Objecto de decisão de expulsão, suspensa em 17/4/2007 pelo Tribunal Europeu dos Direitos do Homem. Voltou a ser preso em Itália, em 20/5/2008. Interdito de entrar no espaço Schengen. Revisão nos termos da Resolução n.º 1822 (2008) do Conselho de Segurança concluída em 6/5/2010.

**QI.A.254.08. Nome:** 1: ABD AL-RAHMAN 2: MUHAMMAD 3: JAFFAR 4: ‘ALI

**Nome (grafia original):** [vide versão original em língua inglesa]

**Título:** — **Cargo:** — **Data de nascimento:** 15/1/1968 **Local de nascimento:** Muharraq, Barém **Também conhecido por, suficiente para identificação:** a) Abd al-Rahman Muhammad Jaffir b) Abd al-Rahman Muhammad Jafir ‘Ali c) Abd al-Rahman Jaffir Ali d) Abdul Rahman Mohamed Jaffer Ali e) Abdulrahman Mohammad Jaffar **Insuficiente para identificação:** a) ‘Ali Al-Khal b) Abu Muhammad Al-Khal **Nacionalidade:** baremita **Passaporte n.º:** — **N.º de identificação nacional:** — **Endereço:** — **Data de inserção na lista:** 10/10/2008 **Outras informações:** Financiador e facilitador da Al-Qaida fixada no Barém (inseridos na lista com a referência permanente número QE.A.4.01). Em Janeiro de 2008, foi condenado pelo Alto Tribunal Penal do Barém por financiar o terrorismo, receber treino em actividades terroristas, facilitar as viagens de terceiros para receberem treino em actividades terroristas no estrangeiro e por pertencer a uma organização terrorista. Libertado de prisão na sequência de uma decisão do tribunal e após cumprimento da pena. Localizado no Barém (em Maio de 2008).

**QI.A.21.01. Nome:** 1: AHMED 2: MOHAMMED 3: HAMED 4: ALI

**Nome (grafia original):** [vide versão original em língua inglesa]

**Título:** — **Cargo:** — **Data de nascimento:** 13/1/1967 **Local de nascimento:** Badari, Asyout, Egipto **Também conhecido por, suficiente para identificação:** a) Abdurehman, Ahmed Mohammed b) Ahmed Hamed c) Ali, Ahmed Mohammed d) Ali, Hamed e) Hemed, Ahmed f) Shieb, Ahmed **Insuficiente para identificação:** a)

Abu Fatima **b)** Abu Islam **c)** Abu Khadijah **d)** Ahmed o Egípcio **e)** Ahmed, Ahmed **f)** Al-Masri, Ahmad **g)** Al-Surir, Abu Islam **h)** Shuaib **Nacionalidade:** egípcia **Passaporte n.º:** — **N.º de identificação nacional:** — **Endereço:** — **Data de inserção na lista:** 17/10/2001 (alterada em 2/7/2007, 16/12/2010) **Outras informações:** Afeganistão. Revisão nos termos da Resolução n.º 1822 (2008) do Conselho de Segurança concluída em 15/6/2010.

**QI.A.154.04. Nome:** 1: SULAIMAN 2: JASSEM 3: SULAIMAN 4: ALI ABO GHAITH

**Nome (grafia original):** [*vide* versão original em língua inglesa]

**Título:** — **Cargo:** — **Data de nascimento:** 14/12/1965 **Local de nascimento:** Kuwait **Também conhecido por, suficiente para identificação:** — **Insuficiente para identificação:** Abo Ghaith **Nacionalidade:** foi-lhe retirada a nacionalidade koweitiana em 2002 **Passaporte n.º:** passaporte koweitiano n.º 849594 emitido no Kuwait, em 27/11/1998 e caducado em 24/6/2003 **N.º de identificação nacional:** — **Endereço:** — **Data de inserção na lista:** 16/1/2004 (alterada em 23/7/2008, 10/6/2011) **Outras informações:** Saiu do Kuwait para o Paquistão em Junho de 2001. Revisão nos termos da Resolução n.º 1822 (2008) do Conselho de Segurança concluída em 21/6/2010.

**QI.A.299.11. Nome:** 1: IBRAHIM 2: AWWAD 3: IBRAHIM 4: ALI AL-BADRI AL-SAMARRAI

**Nome (grafia original):** [*vide* versão original em língua inglesa]

**Título:** Dr. **Cargo:** — **Data de nascimento:** 1971 **Local de nascimento:** Iraque **Também conhecido por, suficiente para identificação:** Dr. Ibrahim 'Awwad Ibrahim 'Ali al-Badri al-Samarrai', nascido em 1971 em Samarra, Iraque (Ibrahim 'Awad Ibrahim al-Badri al-Samarrai; Ibrahim 'Awad Ibrahim al-Samarra'i; Dr. Ibrahim Awwad Ibrahim al-Samarra'i) **Insuficiente para identificação: a)** [texto em árabe] (Abu Du'a; Abu Duaa'), (conhecido principalmente pelo seu nome de guerra) **b)** Dr. Ibrahim **c)** [texto em árabe] (Abu Bakr al-Baghdadi al-Husayni al-Quraishi; Abu Bakr al-Baghdadi **Nacionalidade:** iraquiana **Passaporte n.º:** — **N.º de identificação nacional:** — **Endereço:** Iraque **Data de inserção na lista:** 5/10/2011 (alterada em 20/7/2012) **Outras informações:** Líder da Al-Qaida no



Iraque (QE.J.115.04.) (AQI). Actualmente fixado no Iraque. Responsável pela gestão e direcção das operações em larga escala da AQI.

**QI.M.296.11. Nome:** 1: MATI UR-REHMAN 2: ALI MUHAMMAD 3: — 4: —

**Nome (grafia original):** [*vide* versão original em língua inglesa]

**Título:** — **Cargo:** — **Data de nascimento:** aproximadamente 1977 **Local de nascimento:** Chak number 36/DNB, Rajkan, colónia de Madina, distrito de Bahawalpur, província de Punjab, Paquistão **Também conhecido por, suficiente para identificação:** a) Mati-ur Rehman b) Mati ur Rehman c) Matiur Rahman d) Matiur Rehman e) Matti al-Rehman f) Abdul Samad g) Samad Sial h) Abdul Samad Sial i) Ustad Talha j) Qari Mushtaq **Insuficiente para identificação:** a) Tariq b) Hussain **Nacionalidade:** paquistanesa **Passaporte n.º:** — **N.º de identificação nacional:** — **Endereço:** — **Data de inserção na lista:** 22/8/2011 (alterada em 10/5/2012, 17/10/2013) **Outras informações:** Descrição física: 5 pés e 2 polegadas; 157,4 cm. Filiação paterna: Ali Muhammad. Mati ur-Rehman é o comandante-chefe operacional de Lashkar i Jhangvi (LJ) (QE.L.96.03.). Associado a Harakat-ul Jihad Islami (QE.H.130.10).

**QI.A.194.05. Nome:** 1: MOHAMMED 2: AHMED 3: SHAWKI 4: AL ISLAMBOLLY

**Nome (grafia original):** [*vide* versão original em língua inglesa]

**Título:** — **Cargo:** — **Data de nascimento:** 21/1/1957 **Local de nascimento:** El-Minya, Qena, Egipto **Também conhecido por, suficiente para identificação:** a) Abu Khalid b) Abu Ja'far c) Mohamed El Islambouli **Insuficiente para identificação:** — **Nacionalidade:** egípcia **Passaporte n.º:** — **N.º de identificação nacional:** — **Endereço:** Pensa-se que se encontra no Paquistão ou no Afeganistão **Data de inserção na lista:** 29/9/2005 (alterada em 13/12/2011) **Outras informações:** Filiação paterna: Shawki al-Islambolly. Membro do Jihad Islâmico Egípcio (QE.A.3.01). Revisão nos termos da Resolução n.º 1822 (2008) do Conselho de Segurança concluída em 1/6/2010.

**QI.A.176.04. Nome:** 1: IMAD 2: BEN BECHIR 3: BEN HAMDA 4: AL-JAMMALI

**Nome (grafia original):** [vide versão original em língua inglesa]

**Título: — Cargo: — Data de nascimento:** 25/1/1968 **Local de nascimento:** Manzal Tmim, Nabal, Tunísia **Também conhecido por, suficiente para identificação: — Insuficiente para identificação: — Nacionalidade:** tunisina **Passaporte n.º:** passaporte tunisino n.º K693812, emitido em 23/4/1999, caducado em 22/4/2004 **N.º de identificação nacional: — Endereço:** 4 Qistantiniyah Street, Manzal Tmim, Nabal, Tunísia (domicílio) **Data de inserção na lista:** 23/6/2004 (alterada em 20/12/2005, 31/7/2006, 17/10/2007, 13/12/2011) **Outras informações:** Código fiscal italiano: JMM MDI 68A25 Z352D. Detido em Tunes (Tunísia) em Dezembro de 2009. Filiação materna: Jamilah. Objecto de um mandado de captura emitido pelas autoridades judiciais italianas, que não tinha sido executado em Setembro de 2007. Revisão nos termos da Resolução do Conselho de Segurança n.º 1822 (2008) concluída em 9/4/2010.

**QI.A.317.13 Nome:** 1: ABU MOHAMMED 2: AL-JAWLANI 3: — 4: —

**Nome (grafia original):** [vide versão original em língua inglesa]

**Título: — Cargo: — Data de nascimento:** Entre 1975 e 1979 **Local de nascimento:** Síria **Também conhecido por, suficiente para identificação:** Abu Mohamed al-Jawlani, Abu Muhammad al-Jawlani, Abu Mohammed al-Julani, Abu Mohammed al-Golani, Abu Muhammad al-Golani, Abu Muhammad Aljawlani, Muhammad al-Jawlani (transliterações da grafia do nome original) **Insuficiente para identificação:** [grafia árabe] (transliterações: Shaykh al-Fatih; Al Fatih ) (tradução: o Conquistador) (nome de guerra) **Nacionalidade:** síria **Passaporte n.º: — N.º de identificação nacional: — Endereço:** Activo na Síria em Junho de 2013. **Data de inserção na lista:** 24/7/2013 (alterada em 2/6/2014) **Outras informações:** Desde Janeiro de 2012, é o líder da Al-Nusrah Front for the People of the Levant (QE.A.137.14), um grupo com base na Síria inserido na lista em Maio de 2014 e inserido anteriormente na lista, entre 30/5/2013 e 13/5/2014, como sinónimo da Al-Qaida no Iraque (AQI) (QE.J.115.04.). Associado a Ibrahim Awwad Ibrahim Ali Al-Badri Al-Samarrai (QI.A.299.11.) e a Aiman Muhammed Rabi al-Zawahiri (QI.A.6.01.).

**QI.A.58.02. Nome:** 1: ABU BAKR 2: AL-JAZIRI 3: — 4: —

**Nome (grafia original):** [*vide* versão original em língua inglesa]

**Título:** — **Cargo:** — **Data de nascimento:** — **Local de nascimento:** —

**Também conhecido por, suficiente para identificação:** Yasir Al-Jazari

**Insuficiente para identificação:** — **Nacionalidade:** a) argelina b) palestina

**Passaporte n.º:** — **N.º de identificação nacional:** — **Endereço:** — **Data de**

**inserção na lista:** 11/1/2002 (alterada em 18/7/2007, 1/2/2008, 16/5/2011) **Outras**

**informações:** Director financeiro do Comité de Apoio Afegão (ASC) (QE.A.69.02).

Facilitador da Al-Qaida (QE.A.4.01.) e perito em comunicações. Pensa-se que se

encontra na Argélia desde Abril de 2010. Revisão nos termos da Resolução do

Conselho de Segurança n.º 1822 (2008) concluída em 21/6/2010.

**QI.A.71.02. Nome:** 1: RIADH 2: BEN BELKASSEM 3: BEN MOHAMED  
4: AL-JELASSI

**Nome (grafia original):** [*vide* versão original em língua inglesa]

**Título:** — **Cargo:** — **Data de nascimento:** 15/12/1970 **Local de nascimento:**

Al-Mohamedia, Tunísia **Também conhecido por, suficiente para identificação:** —

**Insuficiente para identificação:** — **Nacionalidade:** tunisina **Passaporte n.º:**

passaporte tunisino n.º L276046, emitido em 1/7/1996, caducado em 30/6/2001 **N.º**

**de identificação nacional:** — **Endereço:** Itália **Data de inserção na lista:**

3/9/2002 (alterada em 20/12/2005, 31/7/2006, 10/8/2009, 23/12/2010) **Outras**

**informações:** Filiação materna: Reem Al-Askari. Membro do Grupo Combatente

Tunisino (QE.T.90.02). Revisão nos termos da Resolução n.º 1822 (2008) do

Conselho de Segurança concluída em 21/4/2010.

**QI.A.101.03. Nome:** 1: FAOUZI 2: BEN MOHAMED 3: BEN AHMED 4: AL-  
JENDOUBI

**Nome (grafia original):** [*vide* versão original em língua inglesa]

**Título:** — **Cargo:** — **Data de nascimento:** 30/1/1966 **Local de nascimento:**

Tunes, Tunísia **Também conhecido por, suficiente para identificação:** Jendoubi

Faouzi, nascido em 30/1/1966 em Marrocos **Insuficiente para identificação:** a) Said

b) Samir **Nacionalidade:** tunisina **Passaporte n.º:** passaporte tunisino n.º

K459698, emitido em 6/3/1999, caducado em 5/3/2004 **N.º de identificação**

**nacional:** — **Endereço:** — **Data de inserção na lista:** 25/6/2003 (alterada em 20/12/2005, 31/7/2006, 17/10/2007, 16/5/2011) **Outras informações:** Filiação materna: Um Hani al-Tujani. Interdito de entrar no espaço Schengen. Dado como desaparecido pelas autoridades italianas desde Junho de 2002. Revisão nos termos da Resolução n.º 1822 (2008) do Conselho de Segurança concluída em 22/4/2010.

**QI.A.318.13 Nome:** 1: MUHAMMAD 2: JAMAL 3: ABD-AL RAHIM AHMAD 4: AL-KASHIF

**Nome (grafia original):** [*vide* versão original em língua inglesa]

**Título:** — **Cargo:** — **Data de nascimento:** a) 1/1/1964 b) 1/2/1964 **Local de nascimento:** Cairo, Egipto **Também conhecido por, suficiente para identificação:** a) Muhammad Jamal Abdo Al-Kashif b) Muhammad Jamal Abdo Al Kashef c) Muhammad Jamal Abd-Al Rahim Ahmad Al-Kashif d) Muhammad Jamal Abd-Al Rahim Al-Kashif e) Muhammad Jamal Abdu f) Muhammad Jamal **Insuficiente para identificação:** a) Muhammad Jamal Abu Ahmad (nome de guerra) b) Abu Ahmad (nome de guerra) c) Abu Jamal (nome de guerra) d) Muhammad Gamal Abu Ahmed e) Mohammad Jamal Abdo Ahmed (nome de guerra) f) Muhammad Jamal Abduh (nome de guerra) g) Muhammad Jamal Ahmad Abdu (nome de guerra) h) Riyadh (nome de guerra) **Nacionalidade:** egípcia **Passaporte n.º:** a) Passaporte egípcio número 6487, emitido em 30/1/1986, em nome de Muhammad Jamal Abdu b) Passaporte egípcio emitido em 1993, em nome de Muhammad Jamal Abd-Al Rahim Ahmad Al-Kashif c) Passaporte iemenita número 388181, em nome de Muhammad Jamal Abd-Al Rahim Al-Kashif **N.º de identificação nacional:** — **Endereço:** Egipto **Data de inserção na lista:** 21/10/2013 **Outras informações:** Foi treinado no fabrico de bombas pela Al-Qaida (QE.A.4.01), no Afeganistão, nos finais da década de 1980. Antigo comandante militar de topo do Jihad Islâmico Egípcio (QE.A.3.01). A partir 2011, criou a Rede Muhammad Jamal (MJN) (QE.M.136.13) e campos de treino terroristas no Egipto e na Líbia. Conduziu actividades terroristas da MJN financiadas pela Al-Qaida na Península Arábica (AQAP) (QE.A.129.10). Alegadamente envolvido no ataque à Missão dos Estados Unidos ocorrido em Benghazi, na Líbia, em 11/9/2012. Chefiou a célula terrorista da cidade de Nasr, no Egipto, em 2012. Ligado a Aiman al-Zawahiri (QI.A.6.01) e à liderança da AQAP e à Organização da Al-Qaida no Magrebe Islâmico (AQIM) (QE.T.14.01). Detido e preso várias vezes pelas autoridades egípcias desde cerca de 2000. Libertado em 2011 mas

detido novamente pelas autoridades egípcias em Novembro de 2012. Detido no Egipto e a aguardar julgamento desde Setembro de 2013. Casado com Samah ‘Ali Al-Dahabani (de nacionalidade iemenita).

**QI.A.233.07. Nome:** 1: FAHD 2: MUHAMMAD 3: ‘ABD AL-‘AZIZ 4: AL-KHASHIBAN

**Nome (grafia original):** [*vide* versão original em língua inglesa]

**Título:** — **Cargo:** — **Data de nascimento:** 16/10/1966 **Local de nascimento:** Oneiza, Arábia Saudita **Também conhecido por, suficiente para identificação:** a) Fahad H. A. Khashayban b) Fahad H. A. Kheshaiban c) Fahad Mohammad Abdulaziz Alkoshiban d) Fahad H. A. al-Khashiban e) Fahad H. A. Kheshayban f) Fahad H. A. al-Khosiban g) Fahad H. A. Khasiban h) Fahd Muhammad ‘Abd Al-‘Aziz al-Khashayban i) Fahd Muhammad’Abd al-‘Aziz al-Khushayban j) Fahad al-Khashiban k) Fahd Khushaiban l) Fahad Muhammad A. al-Khoshiban m) Fahad Mohammad A. al-Khoshiban **Insuficiente para identificação:** a) Shaykh Abu Thabit b) Abu Thabit c) Shaykh Thabet d) Abdur Abu Rahman e) Abu Abdur Rahman **Nacionalidade:** saudita **Passaporte n.º:** passaporte saudita n.º G477835, emitido em 26/6/2006, caducado em 3/5/2011 **N.º de identificação nacional:** — **Endereço:** Arábia Saudita **Data de inserção na lista:** 9/10/2007 (alterada em 20/2/2008, 13/12/2011) **Outras informações:** Participou no financiamento, e prestou assistência por outros meios, ao Grupo Abu Sayyaf (QE.A.1.01.). Revisão nos termos da Resolução n.º 1822 (2008) do Conselho de Segurança concluída em 14/9/2009.

**QI.A.170.04. Nome:** 1: HACENE 2: ALLANE 3: — 4: —

**Nome (grafia original):** [*vide* versão original em língua inglesa]

**Título:** — **Cargo:** — **Data de nascimento:** 17/1/1941 **Local de nascimento:** Médéa, Argélia **Também conhecido por, suficiente para identificação:** a) Hassan o Velho b) Al Xeque Abdelhay c) Boulahia d) Abu al-Foutouh e) Cheib Ahcéne **Insuficiente para identificação:** — **Nacionalidade:** argelina **Passaporte n.º:** — **N.º de identificação nacional:** — **Endereço:** — **Data de inserção na lista:** 3/5/2004 (alterada em 12/4/2006, 7/4/2008, 13/12/2011) **Outras informações:** Morte confirmada em 16/4/2004 no norte da Nigéria. Revisão nos termos da Resolução n.º 1822 (2008) do Conselho de Segurança concluída em 27/7/2010.

**QI.A.177.04. Nome:** 1: HABIB 2: BEN 3: AHMED 4: AL-LOUBIRI

**Nome (grafia original):** [*vide* versão original em língua inglesa]

**Título:** — **Cargo:** — **Data de nascimento:** 17/11/1961 **Local de nascimento:** Manzal Tmim, Nabal, Tunísia **Também conhecido por, suficiente para identificação:** Al-Habib ben Ahmad ben al-Tayib al-Lubiri **Insuficiente para identificação:** — **Nacionalidade:** tunisina **Passaporte n.º:** passaporte tunisino n.º M788439, emitido em 20/10/2001, caducado em 19/10/2006 **N.º de identificação nacional:** — **Endereço:** Al-Damus, Manzal Tmim, Nabal, Tunísia (residência habitual) **Data de inserção na lista:** 23/6/2004 (alterada em 20/12/2005, 17/10/2007, 10/8/2009, 13/12/2011) **Outras informações:** Código fiscal italiano: LBR HBB 61S17 Z352F. Detido na Tunísia em Dezembro de 2009. Filiação materna: Fatima bint al-Mukhtar. Revisão nos termos da Resolução n.º 1822 (2008) do Conselho de Segurança concluída em 9/4/2010.

**QI.A.74.02. Nome:** 1: TAREK 2: BEN HABIB 3: BEN AL-TOUMI 4: AL-MAAROUFI

**Nome (grafia original):** [*vide* versão original em língua inglesa]

**Título:** — **Cargo:** — **Data de nascimento:** 23/11/1965 **Local de nascimento:** Ghardimaou, Tunísia **Também conhecido por, suficiente para identificação:** a) Abu Ismail b) Abou Ismail el Jendoubi c) Abou Ismail Al Djoundoubi **Insuficiente para identificação:** — **Nacionalidade:** tunisina **Passaporte n.º:** passaporte tunisino n.º E590976, emitido em 19/6/1987, caducado em 18/6/1992 **N.º de identificação nacional:** — **Endereço:** Rue Léon Théodore Number 107/1, 1090 Jette, Bruxelas, Bélgica **Data de inserção na lista:** 3/9/2002 (alterada em 26/11/2004, 20/12/2005, 31/7/2006, 3/7/2007, 10/8/2009, 25/1/2010, 23/12/2010) **Outras informações:** Foi-lhe retirada a nacionalidade belga em 26/1/2009. Detido em Nivelles, Bélgica, desde Outubro de 2010. Revisão nos termos da Resolução n.º 1822 (2008) do Conselho de Segurança concluída em 8/6/2010.

**QI.A.320.13. Nome:** 1: ABD-AL-HAMID 2: AL-MASLI 3: — 4: —

**Nome (grafia original):** [*vide* versão original em língua inglesa]

**Título:** — **Cargo:** — **Data de nascimento:** 1976 **Local de nascimento:** a) Darnah, Líbia b) Danar, Líbia **Também conhecido por, suficiente para**

**identificação:** a) Abd-al-Hamid Muhammad Abd-al-Hamid Al-Masli b) Abd-al-Hamid Musalli c) Hamid Masli **Insuficiente para identificação:** a) Hamza al-Darnawi b) Hamzah al-Darnawi c) Hamza Darnawi d) Hamzah Darnawi e) Hamzah Dirnawi f) Hamza Darnavi g) Hamza al-Darnavi h) Abdullah Darnawi i) Abu-Hamzah al-Darnawi **Nacionalidade:** líbia **Passaporte n.º:** — **N.º de identificação nacional:** — **Endereço:** Alegadamente localizado no Waziristão, Zonas Tribais Federalmente Administradas, Paquistão **Data de inserção na lista:** 26/11/2013 **Outras informações:** Líder e formador de uma oficina de electrónica e explosivos da Al-Qaida ligada à produção de componentes para engenhos explosivos improvisados.

**QI.A.276.10. Nome:** 1: AKRAM 2: TURKI 3: HISHAN 4: AL-MAZIDIH

**Nome (grafia original):** [vide versão original em língua inglesa]

**Título:** — **Cargo:** — **Data de nascimento:** a) 1974 b) 1975 **Local de nascimento:** — **Também conhecido por, suficiente para identificação:** Akram Turki Al-Hishan **Insuficiente para identificação:** a) Abu Jarrah b) Abu Akram **Nacionalidade:** — **Passaporte n.º:** — **N.º de identificação nacional:** — **Endereço:** Zabadani, República Árabe Síria **Data de inserção na lista:** 11/3/2010 **Outras informações:** Outra data possível de nascimento: 1979. É primo de Ghazy Fezza Hishan Al Mazidih (QI.A.277.10).

**QI.A.277.10. Nome:** 1: GHAZY 2: FEZZA 3: HISHAN 4: AL-MAZIDIH

**Nome (grafia original):** [vide versão original em língua inglesa]

**Título:** — **Cargo:** — **Data de nascimento:** a) 1974 b) 1975 **Local de nascimento:** — **Também conhecido por, suficiente para identificação:** a) Ghazy Fezzaa Hishan b) Mushari Abd Aziz Saleh Shlash **Insuficiente para identificação:** a) Abu Faysal b) Abu Ghazzy **Nacionalidade:** — **Passaporte n.º:** — **N.º de identificação nacional:** — **Endereço:** Zabadani, República Árabe Síria **Data de inserção na lista:** 11/3/2010 **Outras informações:** É primo de Akram Turki Hishan Al Mazidih (QI.A.276.10).

**QI.T.76.02. Nome:** 1: ISAM 2: ALI 3: MOHAMED 4: ALOUCHE

**Nome (grafia original):** [*vide* versão original em língua inglesa]

**Título: — Cargo: — Data de nascimento:** a) 1972 b) 21/3/1974 **Local de nascimento:** Bagdade, Iraque **Também conhecido por, suficiente para identificação:** Mansour Thaer, nascido em 21/3/1974 em Bagdade, Iraque **Insuficiente para identificação: — Nacionalidade:** jordana **Passaporte n.º: — N.º de identificação nacional: — Endereço: — Data de inserção na lista:** 3/9/2002 (alterada em 18/8/2006, 30/1/2009) **Outras informações:** Foi expulso da Alemanha para a Jordânia em Fevereiro de 2005. Revisão nos termos da Resolução n.º 1822 (2008) do Conselho de Segurança concluída em 21/6/2010.

**QI.A.273.09. Nome:** 1: FAZEEL-A-TUL 2: SHAYKH ABU MOHAMMED 3: AMEEN 4: AL-PESHAWARI

**Título: — Cargo: — Data de nascimento:** a) aproximadamente 1967 b) aproximadamente 1961 c) aproximadamente 1973 **Local de nascimento:** aldeia de Shunkrai, distrito de Sarkani, província de Konar, Afeganistão **Também conhecido por, suficiente para identificação:** a) Shaykh Aminullah b) Xeque Aminullah c) Abu Mohammad Aminullah Peshawari d) Abu Mohammad Amin Bishawri e) Abu Mohammad Shaykh Aminullah Al-Bishauri f) Shaykh Abu Mohammed Ameen al-Peshawari g) Shaykh Aminullah Al-Peshawari **Insuficiente para identificação: — Nacionalidade:** afegã **Passaporte n.º: — N.º de identificação nacional: — Endereço:** distrito de Ganj, Peshawar, Paquistão **Data de inserção na lista:** 29/6/2009 (alterada em 24/7/2013) **Outras informações:** Associado à Al-Qaida (QE.A.4.01.). Chefe da madrassa de Ganj, também conhecida por Madrassa Jamia Taleemul Quran wal Hadith, também conhecida por Madrassa Taleemul Quran wal Sunnah, localizada na Ganj Gate, Phandu Road, Peshawar, Paquistão.

**QI.A.282.10. Nome:** 1: QASIM 2: YAHYA 3: MAHDI 4: AL-RIMI

**Nome (grafia original):** [*vide* versão original em língua inglesa]

**Título: — Cargo: — Data de nascimento:** 5/6/1978 **Local de nascimento:** Sanaa, Iémen **Também conhecido por, suficiente para identificação:** a) Qasim Al-Rimi b) Qasim al-Raymi c) Qassim al-Raymi d) Qasim al-Rami **Insuficiente para identificação:** a) Qasim Yahya Mahdi ‘Abd al-Rimi b) Abu Hurayah al-Sana’ai c) Abu ‘Ammar **Nacionalidade:** iemenita **Passaporte n.º:** passaporte iemenita n.º



00344994, emitido em 3/7/1999 **N.º de identificação nacional:** — **Endereço:** Iémen **Data de inserção na lista:** 11/5/2010 **Outras informações:** Processo de Alerta Vermelho da Interpol em nome de AL RIMI (f/n) Qassim Yahya Mahdi # 2006/6496, Controlo # A-478/3-2009.

**QI.A.23.01. Nome:** 1: NAZIH 2: ABDUL HAMED 3: NABIH 4: AL-RUQAI'I

**Nome (grafia original):** [vide versão original em língua inglesa]

**Título:** — **Cargo:** — **Data de nascimento:** a) 30/3/1964 b) 14/5/1964 **Local de nascimento:** Trípoli, Jamahiriya Árabe Líbia **Também conhecido por, suficiente para identificação:** a) Anas Al-Liby b) Anas Al-Sibai c) Nazih Abdul Hamed Al-Raghie **Insuficiente para identificação:** — **Nacionalidade:** líbia **Passaporte n.º:** 621570 **N.º de identificação nacional:** 200310/I **Endereço:** Al Nawafaliyyin, Jarraba Street, Taqsim Al Zuruq, Trípoli, Jamahiriya Árabe Líbia **Data de inserção na lista:** 17/10/2001 (alterada em 31/7/2006, 16/12/2010) **Outras informações:** Revisão nos termos da Resolução n.º 1822 (2008) do Conselho de Segurança concluída em 21/6/2010.

**QI.A.275.10. Nome:** 1: SAID 2: ALI 3: AL-SHIHRI 4: —

**Nome (grafia original):** [vide versão original em língua inglesa]

**Título:** — **Cargo:** — **Data de nascimento:** 12/9/1973 **Local de nascimento:** Riade, Arábia Saudita **Também conhecido por, suficiente para identificação:** a) Sa'id Ali Jabir al-Kathim al-Shihri b) Said Ali Al Shahri c) Said Ali Jaber Al Khasaam Al Shahri d) Said Ali Jaber Al Khassam **Insuficiente para identificação:** a) Abu-Sayyaf b) Abu-Sufyan al-Azidi c) Abu-Sayyaf al-Shihri d) Abu Sufian Kadhhaab Matrook e) Salah f) Salah Abu Sufyan g) Salah al-Din h) Abu Osama i) Abu Sulaiman j) Nur al-Din Afghani Azibk k) Alahhaddm l) Akhdam m) Abu Sufian Al Azadi n) Abu Asmaa **Nacionalidade:** saudita **Passaporte n.º:** passaporte saudita n.º C102432, emitido em 22/4/2000, caducado em 26/2/2005. Data de emissão no calendário hegírico: 17/01/1421. Data de validade no calendário hegírico: 17/01/1426. **N.º de identificação nacional:** identificação nacional saudita n.º 1008168450 **Endereço:** — **Data de inserção na lista:** 19/1/2010 **Outras informações:** Adjunto de Nasir 'abd-al-Karim 'Abdullah al-Wahishi (QI.A.274.10.) desde Janeiro de 2009, líder da Al-Qaida na Península Arábica (QE.A.129.10.) que opera no Iémen e na Arábia Saudita. Associado a altos cargos de liderança da Al-

Qaida (QE.A.4.01.). Sob custódia dos Estados Unidos da América entre 2001 e 2007, prisioneiro número 372. Encontra-se entre os 85 criminosos em fuga mais procurados na Arábia Saudita. Localizado no Iémen em Janeiro de 2010.

**QI.A.253.08. Nome:** 1: KHALIFA 2: MUHAMMAD 3: TURKI 4: AL-SUBAIY

**Nome (grafia original):** [*vide* versão original em língua inglesa]

**Título: — Cargo: — Data de nascimento:** 1/1/1965 **Local de nascimento:** Doa, Catar **Também conhecido por, suficiente para identificação:** a) Khalifa Mohd Turki Alsubaie b) Khalifa Mohd Turki al-Subaie c) Khalifa Al-Subayi d) Khalifa Turki bin Muhammad bin al-Suaiy **Insuficiente para identificação: — Nacionalidade:** catariana **Passaporte n.º:** passaporte catariano n.º 00685868, emitido em Doa, em 5/2/2006 e válido até 4/2/2011 **N.º de identificação nacional:** bilhete de identidade catariano n.º 26563400140 **Endereço:** Doa, Catar **Data de inserção na lista:** 10/10/2008 (alterada em 25/1/2010, 15/11/2012) **Outras informações:** Financiador e facilitador terrorista fixado no Catar que prestou apoio financeiro à Al-Qaida, e agiu em nome de dirigentes superiores da Al-Qaida (QE.A.4.01.), incluindo a transferência de pessoas recrutadas para campos de treino da Al-Qaida no sul asiático. Em Janeiro de 2008, foi condenado à revelia pelo Tribunal Penal Superior do Barém por financiamento ao terrorismo, por receber treino em acções terroristas, por facilitar viagens a terceiros para receberem treino em acções terroristas no estrangeiro e por pertencer a uma organização terrorista. Preso no Catar em Março de 2008. Cumpriu pena no Catar e já foi libertado. Filiação materna: Hamdah Ahmad Haidoos.

**QI.A.234.07. Nome:** 1: ABDUL RAHIM 2: — 3: — 4: AL-TALHI

**Nome (grafia original):** [*vide* versão original em língua inglesa]

**Título: — Cargo: — Data de nascimento:** 8/12/1961 **Local de nascimento:** Al-Shefa, Al-Taif, Arábia Saudita **Também conhecido por, suficiente para identificação:** a) ‘Abdul-Rahim Hammad al-Talhi b) Abd’ Al-Rahim Hamad al-Tahi c) Abdurheem Hammad A Altalhi d) Abe Al-Rahim al-Talahi e) Abd Al-Rahim Al Tahli f) ‘Abd al-Rahim al-Talhi g) Abdulrahim Al Tahi h) Abdulrahim al-Talji i) ‘Abd-Al-Rahim al Talji j) Abdul Rahim Hammad Ahmad Al-Talhi **Insuficiente para identificação:** a) Abdul Rahim b) Abu Al Bara’a Al Naji c) Shuwayb Junayd **Nacionalidade:** saudita **Passaporte n.º:** passaporte saudita n.º F275043, emitido em

29/5/2004, caducado em 5/4/2009 **N.º de identificação nacional:** — **Endereço:** Buraydah, Arábia Saudita **Data de inserção na lista:** 9/10/2007 (alterada em 20/2/2008, 13/12/2011) **Outras informações:** Envolvido no financiamento ao fornecimento de armas e prestação de assistência, por outros meios, ao Grupo Abu Sayyaf (QE.A.1.01.). Revisão nos termos da Resolução n.º 1822 (2008) do Conselho de Segurança concluída em 14/9/2009.

**QI.A.77.02. Nome:** 1: AL-AZHAR 2: BEN MOHAMMED 3: BEN EL-ABED 4: AL-TLILI

**Nome (grafia original):** [vide versão original em língua inglesa]

**Título:** — **Cargo:** — **Data de nascimento:** 26/3/1969 **Local de nascimento:** Feriana, Al-Kasrain, Tunísia **Também conhecido por, suficiente para identificação:** Lazar Ben Mohammed Tlili **Insuficiente para identificação:** — **Nacionalidade:** tunisina **Passaporte n.º:** passaporte tunisino n.º M 351140, caducado em 16/6/2005 **N.º de identificação nacional:** — **Endereço:** Via Carlo Porta n. 97, Legnano, Itália **Data de inserção na lista:** 3/9/2002 (alterada em 20/12/2005, 31/7/2006, 7/6/2007, 28/7/2008, 23/12/2010) **Outras informações:** Código fiscal italiano: TLLLHR69C26Z352G. Extraditado de França para Itália em 6/9/2006. Libertado de prisão em Itália, em 15/1/2007. Condenado à revelia na Tunísia a uma pena de vinte anos de prisão. Filiação materna: Essayda Bint Salih Al-Tlili. Revisão nos termos da Resolução n.º 1822 (2008) do Conselho de Segurança concluída em 21/4/2010.

**QI.A.151.03. Nome:** 1: MOURAD 2: BEN ALI 3: BEN AL-BASHEER 4: AL-TRABELSI

**Nome (grafia original):** [vide versão original em língua inglesa]

**Título:** — **Cargo:** — **Data de nascimento:** 20/5/1969 **Local de nascimento:** Manzil Tmim, Tunísia **Também conhecido por, suficiente para identificação:** a) Aboue Chiba Brahim, nascido em 2/9/1966 na Líbia b) Arouri Taoufik, nascido em 2/9/1964 na Tunísia c) Ben Salah Adnan, nascido em 2/4/1966 na Tunísia d) Sassi Adel, nascido em 2/9/1966 na Tunísia e) Salam Kamel, nascido em 2/2/1963 na Tunísia f) Salah Adnan, nascido em 4/2/1965 na Argélia g) Arouri Faisel, nascido em 2/3/1965 na Tunísia h) Bentaib Amour, nascido em 9/2/1965 em Marrocos i) Adnan Salah, nascido em 1/4/1966 na Tunísia j) Hasnaoui Mellit, nascido em 1972

em Marrocos **k)** Arouri Taoufik ben Taieb, nascido em 9/2/1964 na Tunísia **l)** Abouechiba Brahim, nascido em 2/9/1966 no Líbano **m)** Farid Arouri, nascido em 2/6/1964 na Tunísia **n)** Ben Magid, nascido em 2/6/1966 no Líbano **o)** Maci Ssassi, nascido em 2/6/1972 na Líbia **p)** Salah ben Anan, nascido em 2/4/1966 na Tunísia **q)** Hasnauí Mellit, nascido em 1972 em Marrocos **Insuficiente para identificação:** Abou Djarrah **Nacionalidade:** tunisina **Passaporte n.º:** passaporte tunisino n.º G827238, emitido em 1/6/1996, caducado em 31/5/2001 **N.º de identificação nacional:** — **Endereço:** Lybia Street number 9, Manzil Tmim, Nabeul, Tunísia **Data de inserção na lista:** 12/11/2003 (alterada em 20/12/2005, 10/8/2009, 16/5/2011) **Outras informações:** Extraditado de Itália para a Tunísia em 13/12/2008. Interdito de entrar no espaço Schengen. Filiação materna: Mabrukah al-Yazidi. Revisão nos termos da Resolução n.º 1822 (2008) do Conselho de Segurança concluída em 22/4/2010.

**QI.A.172.04. Nome:** 1: HASSAN 2: ABDULLAH 3: HERSI 4: AL-TURKI

**Nome (grafia original):** [*vide* versão original em língua inglesa]

**Título:** a) Xequé b) Coronel **Cargo:** — **Data de nascimento:** aproximadamente 1944 **Local de Nascimento:** Região V, Etiópia, (Região de Ogaden no Leste da Etiópia) **Também conhecido por, suficiente para identificação:** a) Hassan Turki b) Hassen Abdelle Fihaye c) Xequé Hassan Abdullah Fahaih d) Hassan Al-Turki e) Hassan Abdillahi Hersi Turki f) Xequé Hassan Turki g) Xasan Cabdilaahi Xirsi h) Xasan Cabdulle Xirsi **Insuficiente para identificação:** — **Nacionalidade:** somali **Passaporte n.º:** — **N.º de identificação nacional:** — **Endereço:** Alegadamente activo no sul da Somália, Juba inferior, perto de Kismayo, principalmente em Jilibe e Burgabo em Novembro de 2012 **Data de inserção na lista:** 6/7/2004 (alterada em 25/7/2006, 21/12/2007, 12/4/2010, 11/5/2010, 13/12/2011, 18/3/2013) **Outras informações:** Origens familiares: Membro do subclã Reer-Abdille do clã Ogaden. Membro da liderança da Al-Itihaad Al-Islamiya (AIAI) (QE.A.2.01.). Suspeita-se que esteja implicado nos ataques às embaixadas dos Estados Unidos em Nairóbi e Dar es Salaam em Agosto de 1998. Está igualmente sujeito às medidas sancionatórias estabelecidas na Resolução do Conselho de Segurança n.º 1844 (2008) relativa à Somália e à Eritreia (*vide* [www.un.org/sc/committees/751/index.shtml](http://www.un.org/sc/committees/751/index.shtml)). Revisão nos termos da Resolução n.º 1822 (2008) do Conselho de Segurança concluída em 13/5/2010.

**QI.A.274.10. Nome:** 1: NASIR 2: ‘ABD-AL-KARIM 3: ‘ABDULLAH 4: AL-WAHISHI

**Nome (grafia original):** [*vide* versão original em língua inglesa]

**Título:** — **Cargo:** — **Data de nascimento:** a) 1/10/1976 b) 08/10/1396 (calendário hegírico) **Local de nascimento:** Iémen **Também conhecido por, suficiente para identificação:** a) Nasir al-Wahishi b) Abu Basir Nasir al-Wahishi c) Naser Abdel Karim al-Wahishi d) Nasir Abd al-Karim al-Wuhayshi e) Abu Basir Nasir Al-Wuhayshi f) Nasser Abdul-karim Abdullah al-Wouhichi g) Abu Baseer al-Wehaishi h) Abu Basir Nasser al-Wuhishi i) Abdul Kareem Abdullah Al-Woohaishi j) Nasser Abdelkarim Saleh Al Wahichi **Insuficiente para identificação:** a) Abu Basir b) Abu Bashir **Nacionalidade:** iemenita **Passaporte n.º:** passaporte iemenita n.º 40483, emitido em 5/1/1997 **N.º de identificação nacional:** — **Endereço:** — **Data de inserção na lista:** 19/1/2010 **Outras informações:** Desde 2007, líder da Al-Qaida no Iémen (AQY). Desde Janeiro de 2009, líder da Al-Qaida na Península Arábica (QE.A.129.10.) que opera no Iémen e na Arábia Saudita. O seu adjunto é Said Ali al-Shihri (QI.A.275.10.). Associado a altos cargos de liderança da Al-Qaida (QE.A.4.01.), afirma ter sido secretário de Usama Bin Laden (QI.B.8.01.) antes de 2003. Preso no Irão e extraditado para o Iémen, em 2003, de onde fugiu da prisão em 2006, permanecendo em fuga em Janeiro de 2010.

**QI.A.15.01. Nome:** 1: MAHFOUZ 2: OULD 3: AL-WALID 4: —

**Nome (grafia original):** [*vide* versão original em língua inglesa]

**Título:** — **Cargo:** — **Data de nascimento:** 1/1/1975 **Local de nascimento:** Mauritânia **Também conhecido por, suficiente para identificação:** a) Abu Hafs o Mauritano b) Khalid Al-Shanqiti c) Mafouz Walad Al-Walid **Insuficiente para identificação:** — **Nacionalidade:** mauritana **Passaporte n.º:** — **N.º de identificação nacional:** — **Endereço:** — **Data de inserção na lista:** 6/10/2001 (alterada em 1/6/2007, 10/6/2011) **Outras informações:** Revisão nos termos da Resolução n.º 1822 (2008) do Conselho de Segurança concluída em 15/6/2010.

**QI.A.104.03. Nome:** 1: NAJIB 2: BEN MOHAMED 3: BEN SALEM 4: AL-WAZ

**Nome (grafia original):** [*vide* versão original em língua inglesa]

**Título:** — **Cargo:** — **Data de nascimento:** 12/4/1960 **Local de nascimento:** Al Haka'imah, província de Mahdia, Tunísia **Também conhecido por, suficiente para identificação:** a) Ouaz Najib b) Ouaz Nagib **Insuficiente para identificação:** — **Nacionalidade:** tunisina **Passaporte n.º:** passaporte tunisino n.º K815205, emitido em 17/9/1994, caducado em 16/9/1999 **N.º de identificação nacional:** — **Endereço:** Via Tovaglie 26, Bolonha, Itália **Data de inserção na lista:** 25/6/2003 (alterada em 20/12/2005, 17/10/2007, 16/9/2008, 16/5/2011) **Outras informações:** Filiação materna: Salihah Amir. Interdito de entrar no espaço Schengen. Revisão nos termos da Resolução n.º 1822 (2008) do Conselho de Segurança concluída em 22/4/2010.

**QI.A.6.01. Nome:** 1: AIMAN 2: MUHAMMED 3: RABI 4: AL-ZAWAHIRI

**Nome (grafia original):** [*vide* versão original em língua inglesa]

**Título:** a) Doutor b) Dr. **Cargo:** — **Data de nascimento:** 19/6/1951 **Local de nascimento:** Giza, Egipto **Também conhecido por, suficiente para identificação:** a) Ayman Al-Zawahari b) Ahmed Fuad Salim c) Al Zawahry Aiman Mohamed Rabi Abdel Muaz d) Al Zawahiri Ayman e) Abdul Qader Abdul Aziz Abdul Moez Al Doctor f) Al Zawahry Aiman Mohamed Rabi g) Al Zawahry Aiman Mohamed Rabie h) Al Zawahry Aiman Mohamed Robi i) Dhawahri Ayman j) Eddaouahiri Ayman k) Nur Al Deen Abu Mohammed l) Ayman Al Zawahari m) Ahmad Fuad Salim **Insuficiente para identificação:** a) Abu Fatma b) Abu Mohammed **Nacionalidade:** egípcia **Passaporte n.º:** a) passaporte egípcio n.º 1084010 b) passaporte n.º 19820215 **N.º de identificação nacional:** — **Endereço:** — **Data de inserção na lista:** 25/1/2001 (alterada em 2/7/2007, 18/7/2007, 13/8/2007, 16/12/2010) **Outras informações:** Antigo dirigente operacional e militar do Jihad Islâmico Egípcio (QE.A.3.01), actualmente colaborador próximo de Usama Bin Laden (QI.B.8.01). Pensa-se que se encontra na zona da fronteira Afeganistão/Paquistão. Revisão nos termos da Resolução n.º 1822 (2008) do Conselho de Segurança concluída em 21/6/2010.

**QI.A.156.04. Nome:** 1: ABD-AL-MAJID 2: AZIZ 3: AL-ZINDANI 4: —

**Nome (grafia original):** [*vide* versão original em língua inglesa]

**Título:** Xeque **Cargo:** — **Data de nascimento:** 1950 **Local de nascimento:** Iémen **Também conhecido por, suficiente para identificação:** a) Abdelmajid Al-Zindani b) Shaykh ‘Abd Al-Majid Al-Zindani c) Xeque Abd Al-Meguid Al-Zandani **Insuficiente para identificação:** — **Nacionalidade:** iemenita **Passaporte n.º:** passaporte iemenita n.º A005487, emitido em 13/8/1995 **N.º de identificação nacional:** — **Endereço:** P.O. Box 8096, Sana’a, Iémen **Data de inserção na lista:** 27/2/2004 (alterada em 25/7/2006, 10/6/2011) **Outras informações:** Revisão nos termos da Resolução n.º 1822 (2008) do Conselho de Segurança concluída em 2/6/2010.

**QI.A.152.03. Nome:** 1: SAIFI 2: AMMARI 3: — 4: —

**Nome (grafia original):** [*vide* versão original em língua inglesa]

**Título:** — **Cargo:** — **Data de nascimento:** a) 1/1/1968 b) 24/4/1968 **Local de nascimento:** a) Kef Rih, Argélia b) Guelma, Argélia **Também conhecido por, suficiente para identificação:** a) Abdalarak b) El Para (nome de combate) c) Abderrezak Le Para d) Abou Haidara e) El Ourassi f) Abderrezak Zaimeche g) Abdul Rasak ammane Abu Haidra **Insuficiente para identificação:** — **Nacionalidade:** argelina **Passaporte n.º:** — **N.º de identificação nacional:** — **Endereço:** Argélia **Data de inserção na lista:** 4/12/2003 (alterada em 7/4/2008, 16/5/2011) **Outras informações:** Detido na Argélia desde Outubro de 2004. Antigo membro do GSPC inserido na lista como Organização da Al-Qaida no Magrebe Islâmico (QE.T.14.01). Revisão nos termos da Resolução n.º 1822 (2008) do Conselho de Segurança concluída em 27/7/2010.

**QI.A.216.06. Nome:** 1: ABDULLAH 2: ANSHORI 3: — 4: —

**Título:** — **Cargo:** — **Data de nascimento:** 1958 **Local de nascimento:** Pacitan, Java Oriental, Indonésia **Também conhecido por, suficiente para identificação:** a) Abu Fatih b) Thoyib, Ibnu c) Toyib, Ibnu d) Abu Fathi **Insuficiente para identificação:** — **Nacionalidade:** indonésia **Passaporte n.º:** — **N.º de identificação nacional:** — **Endereço:** — **Data de inserção na lista:** 21/4/2006 **Outras informações:** Revisão nos termos da Resolução n.º 1822 (2008) do Conselho de Segurança concluída em 8/6/2010.

**QI.B.62.02. Nome:** 1: MOHAMED 2: AOUANI 3: — 4: —

**Nome (grafia original):** [*vide* versão original em língua inglesa]

**Título:** — **Cargo:** — **Data de nascimento:** 5/2/1970 **Local de nascimento:** Tunes, Tunísia **Também conhecido por, suficiente para identificação:** a) Lased Ben Heni, nascido em 5/2/1969 em Trípoli, Jamahiriya Árabe Líbia b) Al-As'ad Ben Hani, nascido em 5/2/1969 em Trípoli, Jamahiriya Árabe Líbia c) Mohamed Ben Belgacem Awani **Insuficiente para identificação:** a) Mohamed Abu Abda b) Abu Obeida **Nacionalidade:** tunisina **Passaporte n.º:** — **N.º de identificação nacional:** — **Endereço:** — **Data de inserção na lista:** 24/4/2002 (alterada em 26/11/2004, 9/9/2005, 31/7/2006, 23/12/2010) **Outras informações:** Professor de Química. Expulso de Itália para a Tunísia em 27 de Agosto de 2006. Revisão nos termos da Resolução n.º 1822 (2008) do Conselho de Segurança concluída em 22/4/2010.

**QI.A.184.05. Nome:** 1: MUHSIN 2: FADHIL 3: AYED 4: ASHOUR AL-FADHLI

**Nome (grafia original):** [*vide* versão original em língua inglesa]

**Título:** — **Cargo:** — **Data de nascimento:** 24/4/1981 **Local de nascimento:** Kowait **Também conhecido por, suficiente para identificação:** a) Muhsin Fadhil 'Ayyid al Fadhli b) Muhsin Fadil Ayid Ashur al Fadhli c) Abu Majid Samiyah d) Abu Samia **Insuficiente para identificação:** — **Nacionalidade:** koweitiana **Passaporte n.º:** a) passaporte koweitiano n.º 106261543 b) passaporte koweitiano n.º 1420529 emitido no Kowait e caducado em 31/3/2006 **N.º de identificação nacional:** — **Endereço:** Block Four, Street 13, House #179 cidade do Kowait, zona de Al-Riqqa, Kowait **Data de inserção na lista:** 17/2/2005 (alterada em 23/7/2008) **Outras informações:** Procurado pelas autoridades de segurança do Koweit. Em fuga desde Julho de 2008. Revisão nos termos da Resolução n.º 1822 (2008) do Conselho de Segurança concluída em 1/6/2010.

**QI.A.265.08. Nome:** 1: HAJI 2: MUHAMMAD 3: ASHRAF 4: —

**Título:** — **Cargo:** — **Data de nascimento:** a) 1/3/1965 b) 1955 **Local de nascimento:** Faisalabad, Paquistão **Também conhecido por, suficiente para identificação:** a) Haji M. Ashraf b) Muhammad Ashraf Manshah c) Muhammad Ashraf Munsha **Insuficiente para identificação:** — **Nacionalidade:** paquistanesa



**Passaporte n.º:** a) Passaporte paquistanês número AT0712501, emitido em 12/3/2008, caducado em 11/3/2013 b) Passaporte paquistanês número A-374184  
**N.º de identificação nacional:** a) Identificação nacional paquistanesa número 6110125312507 b) Identificação nacional paquistanesa número 24492025390  
**Endereço:** — **Data de inserção na lista:** 10/12/2008 (alterada em 17/7/2009, 24/7/2013) **Outras informações:** Director financeiro do Lashkar-e-Tayyiba (QE.L.118.05.). Filiação paterna: Noor Muhammad.

**QI.D.42.01. Nome:** 1: HASSAN 2: DAHIR 3: AWEYS 4: —

**Nome (grafia original):** [vide versão original em língua inglesa]

**Título:** a) Xequé b) Coronel **Cargo:** — **Data de nascimento:** 1935 **Local de Nascimento:** Somália **Também conhecido por, suficiente para identificação:** a) Ali, Xequé Hassan Dahir Aweys b) Awes, Shaykh Hassan Dahir c) Hassen Dahir Aweys d) Ahmed Dahir Aweys e) Mohammed Hassan Ibrahim f) Aweys Hassan Dahir g) Hassan Tahir Oais h) Hassan Tahir Uways i) Hassan Dahir Awes  
**Insuficiente para identificação:** a) Xequé Aweys b) Xequé Hassan c) Xequé Hassan Dahir Aweys **Nacionalidade:** somali **Passaporte n.º:** — **N.º de identificação nacional:** — **Endereço:** a) Activo no sul da Somália em Novembro de 2012 b) também há relatos de que se encontra na Eritreia desde Novembro de 2007 **Data de inserção na lista:** 9/11/2001 (alterada em 21/12/2007, 11/5/2010, 16/5/2011, 18/3/2013) **Outras informações:** Origens familiares: membro do clã Hawiye's Habergidir, Ayr. Dirigente superior da Al-Itihaad Al-Islamiya (AIAI) (QE.A.2.01.) e do Hizbul Islam na Somália. Está igualmente sujeito, desde 12/4/2010, às medidas sancionatórias estabelecidas na Resolução do Conselho de Segurança n.º 1844 (2008) relativa à Somália e à Eritreia (vide [www.un.org/sc/committees/751/index.shtml](http://www.un.org/sc/committees/751/index.shtml)). Revisão nos termos da Resolução n.º 1822 (2008) do Conselho de Segurança concluída em 22/6/2010.

**QI.A.248.08. Nome:** 1: RICARDO 2: PEREZ 3: AYERAS 4: —

**Título:** — **Cargo:** — **Data de nascimento:** 15/9/1973 **Local de nascimento:** 24 Paraiso Street, Barangay Poblacion, cidade de Mandaluyong, Filipinas **Também conhecido por, suficiente para identificação:** a) Abdul Kareem Ayeras b) Abdul Karim Ayeras **Insuficiente para identificação:** a) Ricky Ayeras b) Jimboy c) Isaac Jay Galang Perez d) Abdul Mujib **Nacionalidade:** filipina **Passaporte n.º:** —

**N.º de identificação nacional:** — **Endereço:** a) Barangay Mangayao, Tagkawayan, Quezon, Filipinas b) Barangay Tigib, Ayungon, Negros Oriental, Filipinas **Data de inserção na lista:** 4/6/2008 (alterada em 13/12/2011) **Outras informações:** Membro do Movimento Rajah Solaiman (QE.R.128.08.). Preso pelas autoridades filipinas em 14/3/2011. Revisão nos termos da Resolução n.º 1822 (2008) do Conselho de Segurança concluída em 13/5/2010.

**QI.B.305.12. Nome:** 1: ABDUL 2: ROSYID 3: RIDHO 4: BA'ASYIR

**Título:** — **Cargo:** — **Data de nascimento:** 31/1/1974 **Local de nascimento:** Sukoharjo, Indonésia **Também conhecido por, suficiente para identificação:** a) Abdul Rosyid Ridho Bashir b) Rashid Rida Ba'aysir c) Rashid Rida Bashir **Insuficiente para identificação:** — **Nacionalidade:** indonésia **Passaporte n.º:** — **N.º de identificação nacional:** bilhete de identidade indonésio n.º 1127083101740003 em nome de Abdul Rosyid Ridho Ba'asyir **Endereço:** Podok Pesantren AL Wayain Ngrandu, Sumber Agung Magetan, Java Oriental, Indonésia **Data de inserção na lista:** 12/3/2012 **Outras informações:** Filiação paterna: Abu Bakar Ba'asyir (QI.B.217.06.). Irmão de Abdul Rahim Ba'aysir (QI.B.293.11). Pertence à liderança do Jemmah Anshorut Tauhid (JAT) (QE.J.133.12.) e está envolvido no recrutamento e em acções de recolha de fundos para este grupo. Associado ao Jemaah Islamiyah (QE.J.92.02.).

**QI.B.217.06. Nome:** 1: ABU BAKAR 2: BA'ASYIR 3: — 4: —

**Título:** — **Cargo:** — **Data de nascimento:** 17/8/1938 **Local de nascimento:** Jombang, Java Oriental, Indonésia **Também conhecido por, suficiente para identificação:** a) Baasyir, Abu Bakar b) Bashir, Abu Bakar c) Abdus Samad d) Abdus Somad **Insuficiente para identificação:** — **Nacionalidade:** indonésia **Passaporte n.º:** — **N.º de identificação nacional:** — **Endereço:** — **Data de inserção na lista:** 21/4/2006 **Outras informações:** Revisão nos termos da Resolução n.º 1822 (2008) do Conselho de Segurança concluída em 8/6/2010.

**QI.B.293.11. Nome:** 1: ABDUL RAHIM 2: BA'AYSIR 3: — 4: —

**Título:** — **Cargo:** — **Data de nascimento:** a) 16/11/1977 b) 16/11/1974 **Local de nascimento:** a) Solo, Indonésia b) Sukoharjo, Java Central, Indonésia **Também conhecido por, suficiente para identificação:** a) Abdul Rahim Bashir b) 'Abd Al-

Rahim Ba'asyir **c)** 'Abd Al-Rahim Bashir **d)** Abdurrahim Ba'asyir **e)** Abdurrahim Bashir **f)** Abdul Rachim Ba'asyir **g)** Abdul Rachim Bashir **h)** Abdul Rochim Ba'asyir **i)** Abdul Rochim Bashir **j)** Abdurochim Ba'asyir **k)** Abdurochim Bashir **l)** Abdurrochim Ba'asyir **m)** Abdurrochim Bashir **n)** Abdurrahman Ba'asyir **o)** Abdurrahman Bashir **Insuficiente para identificação: — Nacionalidade:** indonésia **Passaporte n.º: — N.º de identificação nacional: — Endereço:** Indonésia **Data de inserção na lista:** 19/7/2011 **Outras informações:** Dirigente superior do Jemaah Islamiyah (QE.J.92.02.). Filiação paterna: Abu Bakar Ba'asyir (QI.B.217.06.).

**QI.B.80.02. Nome:** 1: SAID 2: BAHAJI 3: — 4: —

**Nome (grafia original):** [vide versão original em língua inglesa]

**Título: — Cargo: — Data de nascimento:** 15/7/1975 **Local de nascimento:** Haselünne, Baixa Saxónia, Alemanha **Também conhecido por, suficiente para identificação:** Zouheir Al Maghribi **Insuficiente para identificação: a)** Mohamed Abbattay **b)** Abderrahmane Al Maghribi **Nacionalidade: a)** alemã **b)** marroquina **Passaporte n.º: a)** passaporte temporário alemão n.º: 28642163 (emitido pela cidade de Hamburgo) **b)** passaporte marroquino n.º 954242 emitido em 28/6/1995, em Meknas, Marrocos (caducado) **N.º de identificação nacional:** BPA N.º 1336597587 **Endereço:** residência anterior: Bunatwiete 23, 21073 Hamburgo, Alemanha **Data de inserção na lista:** 30/9/2002 (alterada em 26/11/2004, 9/9/2005, 2/7/2007, 23/12/2010) **Outras informações:** Chefe adjunto do Comité para a Comunicação Social da Al-Qaida (QE.A.4.01) em Abril de 2010. Objecto de um mandado de captura emitido pelas autoridades alemãs em 21/9/2001. Pensa-se que se encontra na zona da fronteira Afeganistão/Paquistão. Revisão nos termos da Resolução do Conselho de Segurança n.º 1822 (2008) concluída em 20/5/2010.

**QI.B.266.08. Nome:** 1: MAHMOUD 2: MOHAMMAD 3: AHMED 4: BHAZIQ

**Título: — Cargo: — Data de nascimento: a)** 17/8/1943 **b)** 1943 **c)** 1944 **Local de nascimento:** Índia **Também conhecido por, suficiente para identificação: a)** Bahaziq Mahmoud **b)** Abu Abd al-'Aziz **c)** Abu Abdul Aziz **d)** Shaykh Sahib **Insuficiente para identificação: — Nacionalidade:** saudita **Passaporte n.º: — N.º de identificação nacional:** identificação nacional saudita n.º 4-6032-0048-1 **Endereço: — Data de inserção na lista:** 10/12/2008 **Outras informações:**

Financiador do Lashkar-e-Tayyiba (inserido na lista com a referência permanente número QE.L.118.05.). Foi líder do Lashkar-e-Tayyiba na Arábia Saudita.

**QI.B.311.12. Nome:** 1: AYYUB 2: BASHIR 3: — 4: —

**Nome (grafia original):** [*vide* versão original em língua inglesa]

**Título:** a) Qari b) Alhaj **Cargo:** — **Data de nascimento:** a) 1966 b) 1964 c) 1969 d) 1971 **Local de nascimento:** — **Também conhecido por, suficiente para identificação** a) Alhaj Qari Ayub Bashar b) Qari Muhammad Ayub **Insuficiente para identificação:** — **Nacionalidade:** a) usbeque b) afegã **Passaporte n.º:** — **N.º de identificação nacional:** — **Endereço:** Mir Ali, Agência do Waziristão do Norte, Zonas Tribais Federalmente Administradas, Paquistão **Data de inserção na lista:** 18/10/2012 **Outras informações:** Membro do conselho de liderança e chefe das finanças do Movimento Islâmico do Usbequistão (QE.I.10.01.) desde o início de 2010. Coordenador do apoio financeiro e logístico do Movimento Islâmico do Usbequistão no Afeganistão e Paquistão entre 2009-2012. Transferiu e entregou fundos a Fazal Rahim (QI.R.303.12).

**QI.B.55.01. Nome:** 1: MAHMOOD 2: SULTAN 3: BASHIR-UD-DIN 4: —

**Título:** — **Cargo:** — **Data de nascimento:** a) 1937 b) 1938 c) 1939 d) 1940 e) 1941 f) 1942 g) 1943 h) 1944 i) 1945 **Local de nascimento:** — **Também conhecido por, suficiente para identificação:** a) Mahmood, Sultan Bashiruddin b) Mehmood, Dr. Bashir Uddin c) Mekmud, Sultan Baishiruddin **Insuficiente para identificação:** — **Nacionalidade:** paquistanesa **Passaporte n.º:** — **N.º de identificação nacional:** — **Endereço:** Street 13, Wazir Akbar Khan, Cabul, Afeganistão **Data de inserção na lista:** 24/12/2001 **Outras informações:** Revisão nos termos da Resolução n.º 1822 (2008) do Conselho de Segurança concluída em 1/6/2010.

**QI.B.279.10. Nome:** 1: MOHAMED 2: BELKALEM 3: — 4: —

**Nome (grafia original):** [*vide* versão original em língua inglesa]

**Título:** — **Cargo:** — **Data de nascimento:** 19/12/1969 **Local de nascimento:** Hussein Dey, Argel, Argélia **Também conhecido por, suficiente para identificação:** — **Insuficiente para identificação:** a) Abdelali Abou Dher [texto em

árabe] **b)** El Harrachi [texto em árabe] **Nacionalidade:** argelina **Passaporte n.º:** — **N.º de identificação nacional:** — **Endereço:** Mali **Data de inserção na lista:** 22/4/2010 **Outras informações:** Condenado à revelia pelo tribunal argelino em 28/3/1996. Mandado de captura internacional argelino número 03/09 de 6/6/2009 emitido pelo Tribunal de Sidi Mhamed, Argel, Argélia. Pedido de extradição argelino número 2307/09, de 3/9/2009, apresentado às autoridades do Mali. Processo da INTERPOL n.º 19231/2009 de 26/6/2009; controlo n.º A-1819/6-2009. Filiação paterna: Ali Belkalem. Filiação materna: Fatma Saadoudi. Membro da Organização da Al-Qaida no Magrebe Islâmico (QE.T.14.01.).

**QI.B.136.03. Nome:** 1: MOKHTAR 2: BELMOKHTAR 3: — 4: —

**Nome (grafia original):** [vide versão original em língua inglesa]

**Título:** — **Cargo:** — **Data de nascimento:** 1/6/1972 **Local de nascimento:** Ghardaia, Argélia **Também conhecido por, suficiente para identificação:** **a)** Abou Abbes Khaled **b)** Belaouar Khaled Abou El Abass **c)** Belaouer Khaled Abou El Abass **d)** Belmokhtar Khaled Abou El Abes **e)** Khaled Abou El Abass **f)** Khaled Abou El Abbes **g)** Khaled Abou El Abes **h)** Khaled Abulabbas Na Oor **i)** Mukhtar Belmukhtar **Insuficiente para identificação:** **a)** Belaoua **b)** Belaour **Nacionalidade:** argelina **Passaporte n.º:** — **N.º de identificação nacional:** — **Endereço:** — **Data de inserção na lista:** 11/11/2003 (alterada em 12/4/2006, 2/7/2007, 7/4/2008, 25/1/2010, 16/5/2011) **Outras informações:** Filiação paterna: Mohamed. Filiação materna: Zohra Chemkha. Membro do Conselho da Organização da Al-Qaida no Magrebe Islâmico (QE.T.14.01) (AQIM). Dirigente do Katibat el Moulathamoune a operar na 4.<sup>a</sup> Região da AQIM (Sahel/Sahara). Revisão nos termos da Resolução n.º 1822 (2008) do Conselho de Segurança concluída em 30/7/2009.

**QI.B.68.02. Nome:** 1: ADEL 2: BEN AL-AZHAR 3: BEN YOUSSEF 4: BEN SOLTANE

**Nome (grafia original):** [vide versão original em língua inglesa]

**Título:** — **Cargo:** — **Data de nascimento:** 14/7/1970 **Local de nascimento:** Tunes, Tunísia **Também conhecido por, suficiente para identificação:** — **Insuficiente para identificação:** Zakariya **Nacionalidade:** tunisina **Passaporte n.º:** passaporte tunisino n.º M408665, emitido em 4/10/2000, caducado em 3/10/2005 **N.º de identificação nacional:** — **Endereço:** Tunísia **Data de inserção na lista:**

3/9/2002 (alterada em 20/12/2005, 7/6/2007, 23/12/2010) **Outras informações:** Código fiscal italiano: BNSDLA70L14Z352B. Expulso de Itália para a Tunísia em 28/2/2004. A cumprir uma pena de 12 anos de prisão na Tunísia por pertencer a uma organização terrorista estrangeira, desde Janeiro de 2010. Revisão nos termos da Resolução do Conselho de Segurança n.º 1822 (2008) concluída em 21/6/2010.

**QI.B.307.12. Nome:** 1: HAFIZ 2: ABDUL SALAM 3: BHUTTAVI 4: —

**Título:** a) Maulavi b) Mullah **Cargo:** — **Data de nascimento:** 1940 **Local de nascimento:** Gujranwala, província de Punjab, Paquistão **Também conhecido por, suficiente para identificação:** a) Hafiz Abdul Salam Bhattvi b) Hafiz Abdusalam Budvi c) Hafiz Abdussalaam Bhutvi d) Abdul Salam Budvi e) Abdul Salam Bhattwi f) Abdul Salam Bhutvi g) Mullah Abdul Salaam Bhattvi h) Molvi Abdursalam Bhattvi **Insuficiente para identificação:** — **Nacionalidade:** paquistanesa **Passaporte n.º:** — **N.º de identificação nacional:** — **Endereço:** — **Data de inserção na lista:** 14/3/2012 **Outras informações:** Membro fundador do Lashkar-e-Tayyiba (QE.L.118.05.) e chefe adjunto do Lashkar-e-Tayyiba, Hafiz Muhammad Saeed (QI.S.263.08.).

**QI.B.81.02. Nome:** 1: RAMZI 2: MOHAMED 3: ABDULLAH 4: BINALSHIBH

**Nome (grafia original):** [vide versão original em língua inglesa]

**Título:** — **Cargo:** — **Data de nascimento:** a) 1/5/1972 b) 16/9/1973 **Local de nascimento:** a) Gheil Bawazir, Hadramawt, Iémen b) Khartoum, Sudão **Também conhecido por, suficiente para identificação:** a) Binalsheidah, Ramzi Mohamed Abdullah b) Bin Al Shibh, Ramzi c) Omar, Ramzi Mohamed Abdellah d) Mohamed Ali Abdullah Bawazir e) Binalshibh Ramzi Mohammed Abdullah f) Ramzi Binalshib g) Ramzi Mohamed Abdellah Omar Hassan Alassiri h) Binalshibh Ramsi Mohamed Abdullah i) Abu Ubaydah j) ‘Umar Muhammad ‘Abdallah Ba’ Amar **Insuficiente para identificação:** Ramzi Omar **Nacionalidade:** iemenita **Passaporte n.º:** 00085243 emitido em Sanaa, Iémen, em 17/11/1997 **N.º de identificação nacional:** — **Endereço:** — **Data de inserção na lista:** 30/9/2002 (alterada em 26/11/2004, 25/7/2006, 2/7/2007, 27/7/2007, 23/12/2010) **Outras informações:** Preso em Carachi, Paquistão, em 30/9/2002. Sob custódia dos Estados Unidos da América desde Maio de 2010. Revisão nos termos da Resolução n.º 1822 (2008) do Conselho de Segurança concluída em 25/5/2010.

**QI.B.9.01. Nome:** 1: BILAL 2: BIN MARWAN 3: — 4: —

**Nome (grafia original):** [*vide* versão original em língua inglesa]

**Título:** — **Cargo:** — **Data de nascimento:** 1947 **Local de nascimento:** —  
**Também conhecido por, suficiente para identificação:** — **Insuficiente para identificação:** — **Nacionalidade:** — **Passaporte n.º:** — **N.º de identificação nacional:** — **Endereço:** — **Data de inserção na lista:** 25/1/2001 **Outras informações:** Primeiro-tenente de Usama Bin Laden. Revisão nos termos da Resolução n.º 1822 (2008) do Conselho de Segurança concluída em 21/6/2010.

**QI.B.63.02. Nome:** 1: AL-MOKHTAR 2: BEN MOHAMED 3: BEN AL-MOKHTAR 4: BOUCHOUCHA

**Nome (grafia original):** [*vide* versão original em língua inglesa]

**Título:** — **Cargo:** — **Data de nascimento:** 13/10/1969 **Local de nascimento:** Tunes, Tunísia **Também conhecido por, suficiente para identificação:** Bushusha, Mokhtar **Insuficiente para identificação:** — **Nacionalidade:** tunisina **Passaporte n.º:** passaporte tunisino n.º K754050, emitido em 26/5/1999, caducado em 25/5/2004 **N.º de identificação nacional:** 04756904, emitido em 14/9/1984 **Endereço:** Via Milano number 38, Spinadesco, (CR), Itália **Data de inserção na lista:** 24/4/2002 (alterada em 10/4/2003, 26/11/2004, 20/12/2005, 7/6/2007, 23/12/2010) **Outras informações:** Código fiscal italiano: BCHMHT69R13Z352T. Filiação materna: Hedia Bannour. Revisão nos termos da Resolução n.º 1822 (2008) do Conselho de Segurança concluída em 22/4/2010.

**QI.B.188.05. Nome:** 1: FAYCAL 2: BOUGHANEMI 3: — 4: —

**Nome (grafia original):** [*vide* versão original em língua inglesa]

**Título:** — **Cargo:** — **Data de nascimento:** 28/10/1966 **Local de nascimento:** Tunes, Tunísia **Também conhecido por, suficiente para identificação:** a) Faical Boughanmi b) Faysal al-Bughanimi **Insuficiente para identificação:** — **Nacionalidade:** tunisina **Passaporte n.º:** — **N.º de identificação nacional:** — **Endereço:** Number 5/B viale Cambonino, Cremona, Itália **Data de inserção na lista:** 29/7/2005 (alterada em 7/6/2007, 10/8/2009, 1/9/2009, 13/12/2011) **Outras informações:** Código fiscal italiano: BGHFCL66R28Z352G. Condenado a uma pena de 7 anos de prisão em Itália em 29/6/2007 pelo Tribunal de Segunda Instância de

Brescia. Detido em Itália em Junho de 2009. Revisão nos termos da Resolução n.º 1822 (2008) do Conselho de Segurança concluída em 20/7/2009.

**QI.B.143.03. Nome:** 1: HAMADI 2: BEN ABDUL AZIZ 3: BEN ALI 4: BOUYEHIA

**Nome (grafia original):** [vide versão original em língua inglesa]

**Título:** — **Cargo:** — **Data de nascimento:** 29/5/1966 **Local de nascimento:** Tunes, Tunísia **Também conhecido por, suficiente para identificação:** a) Gamel Mohamed, nascido em 25/5/1966 em Marrocos b) Abd el Wanis Abd Gawwad Abd el Latif Bahaa, nascido em 9/5/1986 no Egipto **Insuficiente para identificação:** Mahmoud Hamid **Nacionalidade:** tunisina **Passaporte n.º:** passaporte tunisino n.º L723315, emitido em 5/5/1998, caducado em 4/5/2003 **N.º de identificação nacional:** — **Endereço:** Corso XXII Marzo number 39, Milão, Itália **Data de inserção na lista:** 12/11/2003 (alterada em 20/12/2005, 31/7/2006, 30/1/2009, 16/5/2011) **Outras informações:** Preso em Itália até 28/7/2011. Revisão nos termos da Resolução n.º 1822 (2008) do Conselho de Segurança concluída em 21/6/2010.

**QI.C.312.12. Nome:** 1: AAMIR 2: ALI 3: CHAUDHRY 4: —

**Nome (grafia original):** [vide versão original em língua inglesa]

**Título:** — **Cargo:** — **Data de nascimento:** 3/8/1986 **Local de nascimento:** — **Suficiente para identificação:** a) Aamir Ali Chaudary b) Aamir Ali Choudry c) Amir Ali Chaudry **Insuficiente para identificação:** Huzaiifa **Nacionalidade:** paquistanesa **Passaporte n.º:** passaporte paquistanês n.º BN 4196361, emitido em 28/10/2008, válido até 27/10/2013 **N.º de identificação nacional:** identificação paquistanesa n.º 33202-7126636-9 **Endereço:** — **Data de inserção na lista:** 18/10/2012 **Outras informações:** Perito em electrónica e explosivos para o Tehrik-e Taliban Pakistan (TTP) (QE.T.132.11). Envolvido no planeamento de atentados para o TTP. Prestou apoio financeiro e logístico ao TTP e participou em actividades de patrocínio à formação militar para o TTP.

**QI.C.70.02. Nome:** 1: YASSINE 2: CHEKKOURI 3: — 4: —

**Nome (grafia original):** [vide versão original em língua inglesa]



**Título:** — **Cargo:** — **Data de nascimento:** 6/10/1966 **Local de nascimento:** Safi, Marrocos **Também conhecido por, suficiente para identificação:** — **Insuficiente para identificação:** — **Nacionalidade:** marroquina **Passaporte n.º:** passaporte marroquino n.º F46947 **N.º de identificação nacional:** bilhete de identidade marroquino H-135467 **Endereço:** 7th Street, number 7, Hay Anas Safi, Marrocos **Data de inserção na lista:** 3/9/2002 (alterada em 7/6/2007, 23/12/2010) **Outras informações:** Filiação materna: Feue Hlima Bent Barka e Filiação paterna: Abderrahmane Mohammed Ben Azzouz. Expulso de Itália para Marrocos em 26/2/2004. Revisão nos termos da Resolução n.º 1822 (2008) do Conselho de Segurança concluída em 21/6/2010.

**QI.C.300.12. Nome:** 1: MONIR 2: CHOUKA 3: — 4: —

**Título:** — **Cargo:** — **Data de nascimento:** 30/7/1981 **Local de nascimento:** Bona, Alemanha **Também conhecido por, suficiente para identificação:** — **Insuficiente para identificação:** Abu Adam **Nacionalidade:** a) alemã b) marroquina **Passaporte n.º:** passaporte alemão n.º 5208323009 emitido em Stadt Bonn, Alemanha, em 2/2/2007, válido até 1/2/2012 **N.º de identificação nacional:** bilhete de identidade alemão n.º 5209530116, emitido em Stadt Bonn, Alemanha, em 21/6/2006, caducado em 20/6/2011 **Endereço:** Ungartenstraße 6, Bona, 53229, Alemanha, (anterior) **Data de inserção na lista:** 25/1/2012 **Outras informações:** Associado ao Movimento Islâmico do Usbequistão (QE.I.10.01.). Irmão de Yassin Chouka (QI.C.301.12.) Objecto de um mandado de captura emitido pelo juiz de investigação do Tribunal Federal de Justiça alemão em 5/10/2010.

**QI.C.301.12. Nome:** 1: YASSIN 2: CHOUKA 3: — 4: —

**Título:** — **Cargo:** — **Data de nascimento:** 11/12/1984 **Local de nascimento:** Bona, Alemanha **Também conhecido por, suficiente para identificação:** — **Insuficiente para identificação:** Abu Ibraheem **Nacionalidade:** a) alemã b) marroquina **Passaporte n.º:** passaporte alemão n.º 5204893014 emitido em Stadt Bonn, Alemanha, emitido em 5/10/2000, caducado em 5/10/2005 **N.º de identificação nacional:** bilhete de identidade alemão n.º 5209445304 emitido em Stadt Bonn, Alemanha, em 5/9/2005, caducado em 4/9/2010 **Endereço:** Karl-Barth-Straße 14, Bona, 53129, Alemanha, (anterior) **Data de inserção na lista:** 25/1/2012 **Outras informações:** Associado ao Movimento Islâmico do Usbequistão

(QE.I.10.01.). Irmão de Monir Chouka (QI.C.300.12.). Objecto de um mandado de captura emitido pelo juiz de investigação do Tribunal Federal de Justiça alemão em 5/10/2010.

**QI.C.141.03. Nome:** 1: MAXAMED 2: CABDULLAAH 3: CIISE 4: —

**Título:** — **Cargo:** — **Data de nascimento:** 8/10/1974 **Local de nascimento:** Kismaayo, Somália **Também conhecido por, suficiente para identificação:** a) Maxamed Cabdullaahi Ciise b) Maxammed Cabdullaahi c) Cabdullah Mayamed Ciise **Insuficiente para identificação:** — **Nacionalidade:** somali **Passaporte n.º:** — **N.º de identificação nacional:** identificação britânica n.º PX910063D **Endereço:** Somália **Data de inserção na lista:** 12/11/2003 (alterada em 9/9/2005, 30/1/2009, 20/4/2009, 21/10/2010) **Outras informações:** Encontra-se na Somália desde Abril de 2009 depois de ter sido transferido do Reino Unido. Revisão nos termos da Resolução n.º 1822 (2008) do Conselho de Segurança concluída em 21/6/2010.

**QI.D.252.08. Nome:** 1: AHMED 2: DEGHDEGH 3: — 4: —

**Nome (grafia original):** [*vide* versão original em língua inglesa]

**Título:** — **Cargo:** — **Data de nascimento:** 17/1/1967 **Local de nascimento:** Anser, Wilaya (província) de Jijel, Argélia **Também conhecido por, suficiente para identificação:** a) Abd El Illah b) Abdellillah dit Abdellah Ahmed dit Said **Insuficiente para identificação:** — **Nacionalidade:** argelina **Passaporte n.º:** — **N.º de identificação nacional:** — **Endereço:** Argélia **Data de inserção na lista:** 3/7/2008 (alterada em 24/3/2009, 15/11/2012) **Outras informações:** Pertence à liderança e é director financeiro da Organização da Al-Qaida no Magrebe Islâmico (QE.T.14.01.). Filiação materna: Zakia Chebira. Filiação paterna: Lakhdar.

**QI.D.246.08. Nome:** 1: REDENDO 2: CAIN 3: DELLOSA 4: —

**Título:** — **Cargo:** — **Data de nascimento:** 15/5/1972 **Local de nascimento:** Punta, Santa Ana, Manila, Filipinas **Também conhecido por, suficiente para identificação:** a) Abu Ilonggo b) Brandon Berusa c) Abu Muadz d) Arnulfo Alvarado e) Habil Ahmad Dellosa **Insuficiente para identificação:** a) Dodong b) Troy c) Uthman **Nacionalidade:** filipina **Passaporte n.º:** — **N.º de identificação**

**nacional:** — **Endereço:** 3111, Ma. Bautista, Punta, Santa Ana, Manila, Filipinas  
**Data de inserção na lista:** 4/6/2008 (alterada em 3/6/2009, 13/12/2011) **Outras informações:** Membro do Movimento Rajah Solaiman (QE.R.128.08.) e ligado ao Grupo Abu Sayyaf (QE.A.1.01.). Filiação paterna: Fernando Rafael Dellosa. Filiação materna: Editha Parado Cain. Detido nas Filipinas desde Janeiro de 2010. Revisão nos termos da Resolução n.º 1822 (2008) do Conselho de Segurança concluída em 13/5/2010.

**QI.D.243.08. Nome:** 1: FELICIANO 2: SEMBORIO 3: DELOS REYES JR. 4: —  
**Título:** Ustadz **Cargo:** — **Data de nascimento:** 4/11/1963 **Local de nascimento:** Arco, Lamitan, Basilan, Filipinas **Também conhecido por, suficiente para identificação:** a) Abubakar Abdillah b) Abdul Abdillah **Insuficiente para identificação:** — **Nacionalidade:** filipina **Passaporte n.º:** — **N.º de identificação nacional:** — **Endereço:** Filipinas **Data de inserção na lista:** 4/6/2008 (alterada em 3/6/2009, 13/12/2011) **Outras informações:** Membro do Movimento Rajah Solaiman (QE.R.128.08.). Filiação paterna: Feliciano Delos Reyes Sr. Filiação materna: Aurea Semborio. Detido nas Filipinas desde Maio de 2011. Revisão nos termos da Resolução n.º 1822 (2008) do Conselho de Segurança concluída em 13/5/2010.

**QI.D.164.04. Nome:** 1: OTHMAN 2: DERAMCHI 3: — 4: —

**Nome (grafia original):** [vide versão original em língua inglesa]

**Título:** — **Cargo:** — **Data de nascimento:** 7/6/1954 **Local de nascimento:** Tighennif, Argélia **Também conhecido por, suficiente para identificação:** — **Insuficiente para identificação:** Abou Youssef **Nacionalidade:** argelina **Passaporte n.º:** — **N.º de identificação nacional:** — **Endereço:** Argélia **Data de inserção na lista:** 17/3/2004 (alterada em 26/11/2004, 21/12/2007, 2/12/2008, 3/6/2009, 25/1/2010, 16/5/2011) **Outras informações:** Código fiscal italiano DRMTMN54H07Z301T. Expulso de Itália para a Argélia em 22/8/2008. Sogro de Djamel Lounici (QI.L.155.04). Revisão nos termos da Resolução n.º 1822 (2008) do Conselho de Segurança concluída em 28/9/2009.

**QI.D.245.08. Nome:** 1: PIO 2: ABOGNE 3: DE VERA 4: —

**Título:** — **Cargo:** — **Data de nascimento:** 19/12/1969 **Local de nascimento:** Bagac, Bagamanok, Catanduanes, Filipinas **Também conhecido por, suficiente para identificação:** Ismael De Vera **Insuficiente para identificação:** a) Khalid b) Ismael c) Ismail d) Manex e) Tito Art f) Dave g) Leo **Nacionalidade:** filipina **Passaporte n.º:** — **N.º de identificação nacional:** — **Endereço:** Concepcion, Zaragosa, Nueva Ecija, Filipinas **Data de inserção na lista:** 4/6/2008 (alterada em 3/6/2009, 13/12/2011) **Outras informações:** Membro do Movimento Rajah Solaiman (QE.R.128.08.), do Grupo Abu Sayyaf (QE.A.1.01.) e do Jemaah Islamiyah (QE.J.92.02.). Filiação paterna: Honorio Devera. Filiação materna: Fausta Abogne. Detido nas Filipinas desde Maio de 2011. Revisão nos termos da Resolução n.º 1822 (2008) do Conselho de Segurança concluída em 13/5/2010.

**QI.D.167.04. Nome:** 1: KAMEL 2: DJERMANE 3: — 4: —

**Nome (grafia original):** [*vide* versão original em língua inglesa]

**Título:** — **Cargo:** — **Data de nascimento:** 12/10/1965 **Local de nascimento:** Oum el Bouaghi, Argélia **Também conhecido por, suficiente para identificação:** a) Bilal b) Adel c) Fodhil d) Abou Abdeljalil **Insuficiente para identificação:** — **Nacionalidade:** argelina **Passaporte n.º:** — **N.º de identificação nacional:** — **Endereço:** Argélia **Data de inserção na lista:** 3/5/2004 (alterada em 7/4/2008, 13/12/2011) **Outras informações:** Detido na Argélia em Abril de 2010. Objecto de um mandado de captura emitido pelas autoridades alemãs em 9/10/2003 por envolvimento em rapto. Antigo membro do Katibat Tarek Ibn Ziad da Organização da Al-Qaida no Magrebe Islâmico (QE.T.14.01). Revisão nos termos da Resolução n.º 1822 (2008) do Conselho de Segurança concluída em 27/7/2010.

**QI.D.249.08. Nome:** 1: YAHIA 2: DJOUADI 3: — 4: —

**Nome (grafia original):** [*vide* versão original em língua inglesa]

**Título:** — **Cargo:** — **Data de nascimento:** 1/1/1967 **Local de nascimento:** M'Hamid, Wilaya (província) de Sidi Bel Abbes, Argélia **Também conhecido por, suficiente para identificação:** a) Yahia Abou Ammar b) Abou Ala **Insuficiente para identificação:** — **Nacionalidade:** argelina **Passaporte n.º:** — **N.º de identificação nacional:** — **Endereço:** — **Data de inserção na lista:** 3/7/2008 (alterada em 15/11/2012) **Outras informações:** Pertence à liderança da Organização

da Al-Qaida no Magrebe Islâmico (inserida na lista com a referência permanente número QE.T.14.01.). Localizado no norte do Mali a partir de Junho de 2008. Filiação materna: Zohra Fares. Filiação paterna: Mohamed.

**QI.D.232.07. Nome:** 1: ABDELMALEK 2: DROUKDEL 3: — 4: —

**Nome (grafia original):** [vide versão original em língua inglesa]

**Título:** — **Cargo:** — **Data de nascimento:** 20/4/1970 **Local de nascimento:** Meftah, Wilaya of Blida, Argélia **Também conhecido por, suficiente para identificação:** Abou Mossaab Abdelouadoud **Insuficiente para identificação:** — **Nacionalidade:** argelina **Passaporte n.º:** — **N.º de identificação nacional:** — **Endereço:** Argélia **Data de inserção na lista:** 27/8/2007 (alterada em 7/4/2008, 13/12/2011) **Outras informações:** Chefe da Organização da Al-Qaida no Magrebe Islâmico (QE.T.14.01.). Condenado à revelia a prisão perpétua na Argélia em 21/3/2007. Filiação paterna: Rabah Droukdel. Filiação materna: Z'hour Zdigha. Revisão nos termos da Resolução n.º 1822 (2008) do Conselho de Segurança concluída em 4/5/2009.

**QI.D.95.03. Nome:** 1: LIONEL 2: DUMONT 3: — 4: —

**Título:** — **Cargo:** — **Data de nascimento:** 21/1/1971 **Local de nascimento:** Roubaix, França **Também conhecido por, suficiente para identificação:** a) Jacques Brougere b) Abu Hamza c) Di Karlo Antonio d) Merlin Oliver Christian Rene e) Arfauni Imad Ben Yousset Hamza f) Imam Ben Yussuf Arfaj g) Abou Hamza h) Arfauni Imad **Insuficiente para identificação:** a) Bilal b) Hamza c) Koumkal d) Kumkal e) Merlin f) Tinet g) Brugere h) Dimon **Nacionalidade:** francesa **Passaporte n.º:** — **N.º de identificação nacional:** — **Endereço:** França **Data de inserção na lista:** 25/6/2003 (alterada em 22/11/2004, 26/11/2004, 2/7/2007, 17/10/2007, 24/3/2009, 6/8/2010) **Outras informações:** Sob custódia em França desde Maio de 2004. Condenado a uma pena de 25 anos de prisão, em França, em 2007. Revisão nos termos da Resolução n.º 1822 (2008) do Conselho de Segurança concluída em 15/6/2010.

**QI.D.111.03. Nome:** 1: AGUS 2: DWIKARNA 3: — 4: —

**Título:** — **Cargo:** — **Data de nascimento:** 11/8/1964 **Local de nascimento:** Makassar, Sulawesi do Sul, Indonésia **Também conhecido por, suficiente para identificação:** — **Insuficiente para identificação:** — **Nacionalidade:** indonésia **Passaporte n.º:** documento de viagem indonésio n.º XD253038 **N.º de identificação nacional:** — **Endereço:** Indonésia **Data de inserção na lista:** 9/9/2003 (alterada em 26/11/2004, 14/5/2014) **Outras informações:** Preso em 13/3/2002, condenado em 12/7/2002 nas Filipinas. Libertado de custódia nas Filipinas em 1/1/2014 e posteriormente deportado para a Indonésia. Descrição física: altura 165 cm. Fotografia disponível para inclusão no INTERPOL-ONU Alerta Especial do Conselho de Segurança. Revisão nos termos da Resolução n.º 1822 (2008) do Conselho de Segurança concluída em 25/5/2010.

**QI.E.169.04. Nome:** 1: DHOU 2: EL-AICH 3: — 4: —

**Nome (grafia original):** [*vide* versão original em língua inglesa]

**Título:** — **Cargo:** — **Data de nascimento:** 5/8/1964 **Local de nascimento:** Blida, Argélia **Também conhecido por, suficiente para identificação:** Abdel Hak **Insuficiente para identificação:** — **Nacionalidade:** argelina **Passaporte n.º:** — **N.º de identificação nacional:** — **Endereço:** — **Data de inserção na lista:** 3/5/2004 (alterada em 12/4/2006, 7/4/2008, 13/12/2011) **Outras informações:** Morte confirmada no Chade em 8/3/2004. Revisão nos termos da Resolução n.º 1822 (2008) do Conselho de Segurança concluída em 27/7/2010.

**QI.E.19.01. Nome:** 1: ABDULLAH 2: AHMED 3: ABDULLAH 4: EL ALFI

**Nome (grafia original):** [*vide* versão original em língua inglesa]

**Título:** — **Cargo:** — **Data de nascimento:** 6/6/1963 **Local de nascimento:** Gharbia, Egipto **Também conhecido por, suficiente para identificação:** — **Insuficiente para identificação:** a) Abu Mariam b) Al-Masri, Abu Mohamed c) Saleh **Nacionalidade:** egípcia **Passaporte n.º:** — **N.º de identificação nacional:** — **Endereço:** — **Data de inserção na lista:** 17/10/2001 (alterada em 26/11/2004) **Outras informações:** Afeganistão. Revisão nos termos da Resolução n.º 1822 (2008) do Conselho de Segurança concluída em 21/6/2010.

**QI.E.142.03. Nome:** 1: RADI 2: ABD EL SAMIE 3: ABOU EL YAZID 4: EL AYASHI

**Nome (grafia original):** [vide versão original em língua inglesa]

**Título:** — **Cargo:** — **Data de nascimento:** 2/1/1972 **Local de nascimento:** El Gharbia, Egipto **Também conhecido por, suficiente para identificação:** — **Insuficiente para identificação:** Mera'i **Nacionalidade:** — **Passaporte n.º:** — **N.º de identificação nacional:** — **Endereço:** Via Cilea 40, Milão, Itália (domicílio) **Data de inserção na lista:** 12/11/2003 (alterada em 9/9/2005, 21/12/2007, 16/5/2011) **Outras informações:** Condenado a dez anos de prisão pelo Tribunal de Primeira Instância de Milão em 21/9/2006. Sob custódia em Itália. A ser libertado em 6/1/2012. Objecto de expulsão de Itália após cumprimento da pena. Revisão nos termos da Resolução n.º 1822 (2008) do Conselho de Segurança concluída em 21/6/2010.

**QI.E.262.08. Nome:** 1: REDOUANE 2: EL HABHAB 3: — 4: —

**Título:** — **Cargo:** — **Data de nascimento:** 20/12/1969 **Local de nascimento:** Casablanca, Marrocos **Também conhecido por, suficiente para identificação:** Abdelrahman **Insuficiente para identificação:** — **Nacionalidade:** a) alemã b) marroquina **Passaporte n.º:** passaporte alemão n.º 1005552350, emitido em 27/3/2001 pelo município de Kiel, Alemanha, caducado em 26/3/2011 **N.º de identificação nacional:** bilhete de identidade federal alemão n.º 1007850441, emitido em 27/3/2001 pelo município de Kiel, Alemanha, caducado em 26/3/2011 **Endereço:** Iltisstrasse 58, 24143 Kiel, Alemanha (endereço anterior) **Data de inserção na lista:** 12/11/2008 (alterada em 30/1/2009, 24/3/2009, 15/11/2012) **Outras informações:** Libertado de prisão na Alemanha em Abril de 2012.

**QI.E.82.02. Nome:** 1: MOUNIR 2: EL MOTASSADEQ 3: — 4: —

**Nome (grafia original):** [vide versão original em língua inglesa]

**Título:** — **Cargo:** — **Data de nascimento:** 3/4/1974 **Local de nascimento:** Marraquexe, Marrocos **Também conhecido por, suficiente para identificação:** Mounir el Moutassadeq **Insuficiente para identificação:** — **Nacionalidade:** marroquina **Passaporte n.º:** passaporte marroquino H 236483 **N.º de identificação nacional:** bilhete de identidade marroquino E-491591 **Endereço:** Preso na Alemanha **Data de inserção na lista:** 30/9/2002 (alterada em 26/11/2004, 7/9/2007, 23/12/2010) **Outras informações:** Preso em 28/11/2001, na Alemanha, e acusado de

ser cúmplice de homicídio e de pertencer a uma organização terrorista, e condenado a uma pena de 15 anos de prisão em 8/1/2007. Filiação paterna: Brahim Brik. Filiação materna: Habiba Abbes. Revisão nos termos da Resolução n.º 1822 (2008) do Conselho de Segurança concluída em 20/5/2010.

**QI.E.65.02. Nome:** 1: ABD EL KADER 2: MAHMOUD 3: MOHAMED 4: EL SAYED

**Nome (grafia original):** [*vide* versão original em língua inglesa]

**Título:** — **Cargo:** — **Data de nascimento:** 26/12/1962 **Local de nascimento:** Egipto **Também conhecido por, suficiente para identificação:** a) Es Sayed, Kader b) Abdel Khader Mahmoud Mohamed el Sayed **Insuficiente para identificação:** — **Nacionalidade:** egípcia **Passaporte n.º:** — **N.º de identificação nacional:** — **Endereço:** — **Data de inserção na lista:** 24/4/2002 (alterada em 26/11/2004, 7/6/2007, 16/5/2011) **Outras informações:** Código fiscal italiano: SSYBLK62T26Z336L. Condenado a uma pena de 8 anos de prisão, em Itália, em 2/2/2004. Dado como fugitivo pelas autoridades italianas. Revisão nos termos da Resolução n.º 1822 (2008) do Conselho de Segurança concluída em 22/4/2010.

**QI.E.64.02. Nome:** 1: SAMI 2: BEN KHAMIS 3: BEN SALEH 4: ELSSEID

**Nome (grafia original):** [*vide* versão original em língua inglesa]

**Título:** — **Cargo:** — **Data de nascimento:** 10/2/1968 **Local de nascimento:** Menzel Jemil, Bizerte, Tunísia **Também conhecido por, suficiente para identificação:** Omar El Mouhajer **Insuficiente para identificação:** Saber **Nacionalidade:** tunisina **Passaporte n.º:** passaporte tunisino n.º K929139, emitido em 14/2/1995, caducado em 13/2/2000 **N.º de identificação nacional:** 00319547, emitida em 8/12/1994 **Endereço:** Ibn Al-Haythman Street, Number 6, Manubah, Tunes, Tunísia **Data de inserção na lista:** 24/4/2002 (alterada em 10/4/2003, 26/11/2004, 9/9/2005, 20/12/2005, 7/6/2007, 21/12/2007, 10/8/2009, 23/12/2010) **Outras informações:** Código fiscal italiano: SSDSBN68B10Z352F. Filiação materna: Beya Al-Saidani. Expulso de Itália para a Tunísia em 2/6/2008. Revisão nos termos da Resolução n.º 1822 (2008) do Conselho de Segurança concluída em 22/4/2010.



**QI.E.96.03. Nome:** 1: MOUSSA 2: BEN OMAR 3: BEN ALI 4: ESSAADI

**Nome (grafia original):** [vide versão original em língua inglesa]

**Título:** — **Cargo:** — **Data de nascimento:** 4/12/1964 **Local de nascimento:** Tabarka, Tunísia **Também conhecido por, suficiente para identificação:** — **Insuficiente para identificação:** a) Dah Dah b) Abdelrahmman c) Bechir **Nacionalidade:** tunisina **Passaporte n.º:** passaporte tunisino n.º L335915, emitido em Milão, Itália, em 8/11/1996, caducado em 7/11/2001 **N.º de identificação nacional:** — **Endereço:** Tunísia **Data de inserção na lista:** 25/6/2003 (alterada em 20/12/2005, 17/10/2007, 10/8/2009, 16/5/2011, 20/7/2012) **Outras informações:** Dado como fugitivo pelas autoridades italianas (desde Novembro de 2009). Saiu do Sudão para a Tunísia em 2011. Revisão nos termos da Resolução n.º 1822 (2008) do Conselho de Segurança concluída em 15/6/2010.

**QI.E.83.02. Nome:** 1: ZAKARYA 2: ESSABAR 3: — 4: —

**Nome (grafia original):** [vide versão original em língua inglesa]

**Título:** — **Cargo:** — **Data de nascimento:** 3/4/1977 **Local de nascimento:** Essaouria, Marrocos **Também conhecido por, suficiente para identificação:** Zakariya Essabar **Insuficiente para identificação:** — **Nacionalidade:** marroquina **Passaporte n.º:** a) passaporte marroquino n.º M 271351 emitido em 24/10/2000 pela Embaixada de Marrocos em Berlim b) passaporte marroquino n.º K-348486 **N.º de identificação nacional:** a) identidade nacional marroquina n.º E-189935 b) bilhete de identidade de nacional marroquino n.º G-0343089 **Endereço:** — **Data de inserção na lista:** 30/9/2002 (alterada em 26/11/2004, 10/6/2011) **Outras informações:** Filiação paterna: Mohamed ben Ahmed. Filiação materna: Sfia bent Toubali. Revisão nos termos da Resolução n.º 1822 (2008) do Conselho de Segurança concluída em 20/5/2010.

**QI.F.27.01. Nome:** 1: MUSTAFA 2: MOHAMED 3: FADHIL 4: —

**Nome (grafia original):** [vide versão original em língua inglesa]

**Título:** — **Cargo:** — **Data de nascimento:** a) 23/6/1976 b) 1/1/1976 **Local de nascimento:** Cairo, Egipto **Também conhecido por, suficiente para identificação:** a) Al Masri, Abd Al Wakil b) Ali, Hassan c) Anis, Abu; d) Elbishy, Moustafa Ali e) Fadil, Mustafa Muhamad f) Fazul, Mustafa g) Mohammed, Mustafa h) Mustafa Ali

Elbishy **Insuficiente para identificação:** a) Hussein b) Jihad, Abu c) Khalid d) Man, Nu e) Yussrr, Abu f) Al-Nubi, Abu **Nacionalidade:** queniana **Passaporte n.º:** — **N.º de identificação nacional:** identificação queniana n.º 12773667; n.º de série 201735161 **Endereço:** — **Data de inserção na lista:** 17/10/2001 (alterada em 2/7/2007, 16/12/2010) **Outras informações:** Revisão nos termos da Resolução n.º 1822 (2008) do Conselho de Segurança concluída em 21/6/2010.

**QI.G.251.08. Nome:** 1: SALAH EDDINE 2: GASMI 3: — 4: —

**Nome (grafia original):** [*vide* versão original em língua inglesa]

**Título:** — **Cargo:** — **Data de nascimento:** 13/4/1971 **Local de Nascimento:** Zeribet El Oued, Wilaya (província) de Biskra, Argélia **Também conhecido por, suficiente para identificação:** Abou Mohamed Salah **Insuficiente para identificação:** Bounouadher **Nacionalidade:** argelina **Passaporte n.º:** — **N.º de identificação nacional:** — **Endereço:** Argélia **Data de inserção na lista:** 3/7/2008 (alterada em 24/3/2009, 15/11/2012, 14/3/2013) **Outras informações:** Pertence à liderança e é encarregado do comité de informação da Organização da Al-Qaida no Magrebe Islâmico (QE.T.14.01.). Filiação materna: Yamina Soltane. Filiação paterna: Abdelaziz. Associado a Abdelmalek Droukdel (QI.D.232.07). Preso na Argélia em 16/12/2012.

**QI.G.259.08. Nome:** 1: FRITZ 2: MARTIN 3: GELOWICZ 4: —

**Título:** — **Cargo:** — **Data de nascimento:** 1/9/1979 **Local de nascimento:** Munique, Alemanha **Também conhecido por, suficiente para identificação:** a) Robert Konars, nascido em 10/4/1979 em Liege, Bélgica b) Markus Gebert **Insuficiente para identificação:** a) Malik b) Benzl c) Bentley **Nacionalidade:** alemã **Passaporte n.º:** passaporte alemão n.º 7020069907 emitido em Ulm, Alemanha, caducado em 11/5/2010. **N.º de identificação nacional:** bilhete de identidade federal alemão n.º 7020783883 emitido em Ulm, Alemanha, caducado em 10/6/2008. **Endereço:** a) preso na Alemanha (desde Setembro de 2007). b) Böfinger Weg 20, 89075 Ulm, Alemanha (endereço anterior) **Data de inserção na lista:** 27/10/2008 (alterada em 13/12/2011) **Outras informações:** Associado à União Jihad Islâmica (IJU), também conhecida por Grupo Jihad Islâmico (QE.I.119.05.). Associado a Daniel Martin Schneider (QI.S.260.08.) e a Adem Yilmaz (QI.Y.261.08.). Detido na Alemanha desde Junho de 2010.

**QI.G.28.01. Nome:** 1: AHMED 2: KHALFAN 3: GHAILANI 4: —

**Título:** — **Cargo:** — **Data de nascimento:** a) 14/3/1974 b) 13/4/1974 c) 14/4/1974 d) 1/8/1970 **Local de nascimento:** Zanzibar, Tanzânia **Também conhecido por, suficiente para identificação:** a) Ahmad, Abu Bakr b) Ahmed, Abubakar c) Ahmed, Abubakar K. d) Ahmed, Abubakar Khalfan e) Ahmed, Abubakary K. f) Ahmed, Ahmed Khalfan g) Ali, Ahmed Khalfan h) Ghailani, Abubakary Khalfan Ahmed i) Ghailani, Ahmed j) Ghilani, Ahmad Khalafan k) Hussein, Mahafudh Abubakar Ahmed Abdallah l) Khalfan, Ahmed m) Mohammed, Shariff Omar n) Haythem al-Kini **Insuficiente para identificação:** a) Ahmed o Tanzaniano b) Foopie c) Fupi d) Ahmed, A e) Al Tanzani, Ahmad f) Bakr, Abu g) Khabar, Abu **Nacionalidade:** tanzaniana **Passaporte n.º:** — **N.º de identificação nacional:** — **Endereço:** Estados Unidos da América **Data de inserção na lista:** 17/10/2001 (alterada em 27/7/2007, 21/10/2010) **Outras informações:** Detido em Julho de 2004 e sob custódia a aguardar julgamento nos Estados Unidos da América, em Outubro de 2010. Revisão nos termos da Resolução n.º 1822 (2008) do Conselho de Segurança concluída em 21/6/2010.

**QI.H.250.08. Nome:** 1: AMOR 2: MOHAMED 3: GHEDEIR 4: —

**Nome (grafia original):** [vide versão original em língua inglesa]

**Título:** — **Cargo:** — **Data de nascimento:** aproximadamente 1958 **Local de nascimento:** Deb-Deb, Amenas, Wilaya (província) de Illizu, Argélia **Também conhecido por, suficiente para identificação:** a) Abdelhamid Abou Zeid b) Youcef Adel c) Abou Abdellah d) Abid Hammadou, nascido em 12/12/1965 em Touggourt, Wilaya (província) de Ouargla, Argélia, (como inserido anteriormente na lista) **Insuficiente para identificação:** — **Nacionalidade:** argelina **Passaporte n.º:** — **N.º de identificação nacional:** — **Endereço:** — **Data de inserção na lista:** 3/7/2008 (alterada em 10/5/2012, 15/11/2012) **Outras informações:** Ligado à Organização da Al-Qaida no Magrebe Islâmico (QE.T.14.01.). Localizado no norte do Mali em Junho de 2008. Filiação materna: Benarouba Bachira. Filiação paterna: Mabrouk. Usurpou a identidade de Abid Hammadou, que morreu alegadamente no Chade em 2004.

**QI.G.218.06. Nome:** 1: GUN GUN 2: RUSMAN 3: GUNAWAN 4: —

**Título:** — **Cargo:** — **Data de nascimento:** 6/7/1977 **Local de nascimento:** Cianjur, Java Ocidental, Indonésia **Também conhecido por, suficiente para identificação:** a) Gunawan, Rusman b) Abd Al-Hadi c) Abdul Hadi d) Abdul Karim e) Bukhori f) Bukhory **Insuficiente para identificação:** — **Nacionalidade:** indonésia **Passaporte n.º:** — **N.º de identificação nacional:** — **Endereço:** — **Data de inserção na lista:** 21/4/2006 (alterada em 13/12/2011) **Outras informações:** Irmão de Nurjaman Riduan Isamuddin (QI.I.87.03). Revisão nos termos da Resolução n.º 1822 (2008) do Conselho de Segurança concluída em 8/6/2010.

**QI.H.3.01. Nome:** 1: SALIM 2: AHMAD 3: SALIM 4: HAMDAN

**Nome (grafia original):** [vide versão original em língua inglesa]

**Título:** — **Cargo:** — **Data de nascimento:** 1965 **Local de nascimento:** a) Al-Mukalla, Iémen b) Al-Mukala, Iémen **Também conhecido por, suficiente para identificação:** a) Saqr Al-Jaddawi [texto em árabe] b) Saqar Al Jadawi c) Saqar Aljawadi d) Salem Ahmed Salem Hamdan **Insuficiente para identificação:** — **Nacionalidade:** iemenita **Passaporte n.º:** passaporte iemenita n.º 00385937 **N.º de identificação nacional:** — **Endereço:** a) Shari Tunes, Sana'a, Iémen, (endereço anterior) b) Localizado no Iémen desde Novembro de 2008 **Data de inserção na lista:** 25/1/2001 (alterada em 25/7/2006, 23/4/2007, 30/1/2009, 17/7/2009, 25/1/2010) **Outras informações:** Motorista e guarda-costas pessoal de Usama bin Laden (QI.B.8.01) de 1996 a 2001. Transferido sob custódia dos Estados Unidos para o Iémen em Novembro de 2008. Revisão nos termos da Resolução n.º 1822 (2008) do Conselho de Segurança concluída em 8/7/2010.

**QI.H.144.03. Nome:** 1: MOHAMMAD 2: TAHIR 3: HAMMID 4: —

**Nome (grafia original):** [vide versão original em língua inglesa]

**Título:** Imam **Cargo:** — **Data de nascimento:** 1/11/1975 **Local de nascimento:** Poshok, Iraque **Também conhecido por, suficiente para identificação:** Abdelhamid Al Kurdi **Insuficiente para identificação:** — **Nacionalidade:** — **Passaporte n.º:** — **N.º de identificação nacional:** — **Endereço:** — **Data de inserção na lista:** 12/11/2003 (alterada em 9/9/2005, 21/12/2007, 16/5/2011) **Outras informações:** Ordem de expulsão emitida em seu nome pelas autoridades italianas em 18/10/2004. Dado como fugitivo pelas autoridades italianas desde

Setembro de 2007. Revisão nos termos da Resolução n.º 1822 (2008) do Conselho de Segurança concluída em 8/6/2010.

**QI.H.204.05. Nome:** 1: ISNILON 2: TOTONI 3: HAPILON 4: —

**Título:** — **Cargo:** — **Data de nascimento:** a) 18/3/1966 b) 10/3/1967 **Local de nascimento:** Bulanza, Lantawan, Basilan, Filipinas **Também conhecido por, suficiente para identificação:** a) Isnilon Hapilun b) Isnilun Hapilun c) Abu Musab d) Salahudin e) Tuan Isnilon **Insuficiente para identificação:** — **Nacionalidade:** filipina **Passaporte n.º:** — **N.º de identificação nacional:** — **Endereço:** — **Data de inserção na lista:** 6/12/2005 **Outras informações:** Revisão nos termos da Resolução n.º 1822 (2008) do Conselho de Segurança concluída em 8/6/2010.

**QI.H.268.09. Nome:** 1: ABDUL 2: HAQ 3: — 4: —

**Título:** — **Cargo:** — **Data de nascimento:** 10/10/1971 **Local de nascimento:** província de Chele, zona de Khuttan, Região Autónoma de Xinjiang Uighur, China **Também conhecido por, suficiente para identificação:** a) Maimaitiming Maimaiti b) Abdul Heq c) Abuduhake d) Abdulheq Jundullah e) ‘Abd Al-Haq f) Memetiming Memeti g) Memetiming Aximu h) Memetiming Qekeman i) Maiumaitimin Maimaiti j) Abdul Saimaiti k) Muhammad Ahmed Khaliq **Insuficiente para identificação:** a) Maimaiti Iman b) Muhelisi c) Qerman d) Saifuding **Nacionalidade:** chinesa **Passaporte n.º:** — **N.º de identificação nacional:** bilhete de identidade chinês n.º 653225197110100533 **Endereço:** — **Data de inserção na lista:** 15/4/2009 (alterada em 13/12/2011) **Outras informações:** Localização (em Abril de 2009): Paquistão. Líder e comandante geral do Movimento Islâmico do Turquestão Oriental (Q.E.88.02.). Envolvido em acções de recolha de fundos e no recrutamento para esta organização. Alegadamente falecido no Paquistão em Fevereiro de 2010.

**QI.H.88.03. Nome:** 1: GULBUDDIN 2: HEKMATYAR 3: — 4: —

**Nome (grafia original):** [vide versão original em língua inglesa]

**Título:** — **Cargo:** — **Data de nascimento:** 1/8/1949 **Local de nascimento:** província de Kunduz, Afeganistão **Também conhecido por, suficiente para identificação:** a) Gulabudin Hekmatyar b) Golboddin Hikmetyar c) Gulbuddin

Khekmatiyar **d)** Gulbuddin Hekmatiar **e)** Gulbuddin Hekhmartyar **f)** Gulbudin Hekmetyar **Insuficiente para identificação: — Nacionalidade:** afegã **Passaporte n.º: — N.º de identificação nacional: — Endereço: — Data de inserção na lista:** 20/2/2003 (alterada em 16/5/2011) **Outras informações:** Pertence à tribo Kharoti. Encontrava-se supostamente na zona da fronteira Afeganistão/Paquistão em Janeiro de 2011. Filiação paterna: Ghulam Qader. Revisão nos termos da Resolução n.º 1822 (2008) do Conselho de Segurança concluída em 8/6/2010.

**QI.H.29.01. Nome:** 1: RI'AD 2: MUHAMMAD HASAN 3: MUHAMMAD 4: HIJAZI

**Nome (grafia original):** [*vide* versão original em língua inglesa]

**Título: — Cargo: — Data de nascimento:** 30/12/1968 **Local de nascimento:** Califórnia, Estados Unidos da América **Também conhecido por, suficiente para identificação:** **a)** Hijazi, Raed M. **b)** Al-Hawen, Abu-Ahmad **c)** Al-Shahid, Abu-Ahmad **d)** Raed Muhammad Hasan Muhammad Hijazi **Insuficiente para identificação:** **a)** Al-Maghribi, Rashid (o Marroquino) **b)** Al-Amriki, Abu-Ahmad (o Americano) **Nacionalidade:** jordana **Passaporte n.º: — N.º de identificação nacional:** **a)** n.º de segurança social dos Estados Unidos: 548-91-5411 **b)** N.º nacional 9681029476 **Endereço: — Data de inserção na lista:** 17/10/2001 (alterada em 10/4/2003, 16/5/2011) **Outras informações:** Sob custódia na Jordânia em Março de 2010. Filiação paterna: Mohammad Hijazi. Filiação materna: Sakina. Revisão nos termos da Resolução n.º 1822 (2008) do Conselho de Segurança concluída em 21/6/2010.

**QI.H.221.06. Nome:** 1: JAMAL 2: HOUSNI 3: — 4: —

**Nome (grafia original):** [*vide* versão original em língua inglesa]

**Título: — Cargo: — Data de nascimento:** 22/2/1983 **Local de nascimento:** Marrocos **Também conhecido por, suficiente para identificação:** **a)** Djamel Il marocchino **b)** Jamal Al Maghrebi **c)** Hicham **Insuficiente para identificação: — Nacionalidade: — Passaporte n.º: — N.º de identificação nacional: — Endereço:** **a)** Via Uccelli di Nemi n. 33, Milão **b)** via F. De Lemene n. 50, Milão **Data de inserção na lista:** 2/8/2006 (alterada em 1/9/2009) **Outras informações:** Objecto da ordem de prisão preventiva, emitida pelo Tribunal de Milão, n.º 5236/02 R.G.N.R de 25/11/2003 1511/02 R.G.GIP. Considerado culpado e condenado, em

21/9/2006, a uma pena de sete anos de prisão pelo Tribunal Judicial de Milão por pertencer a uma associação criminosa com objectivos terroristas e por recepção de bens roubados. A pena foi confirmada em 17/7/2007 pelo Tribunal Judicial de Recurso de Milão. Sob custódia desde 16/6/2009. Revisão nos termos da Resolução do Conselho de Segurança n.º 1822 (2008) concluída em 20/7/2009.

**QI.H.10.01. Nome:** 1: ZAYN 2: AL-ABIDIN 3: MUHAMMAD 4: HUSSEIN

**Nome (grafia original):** [vide versão original em língua inglesa]

**Título:** — **Cargo:** — **Data de nascimento:** 12/3/1971 **Local de nascimento:** Riade, Arábia Saudita **Também conhecido por, suficiente para identificação:** a) Abd Al-Hadi Al-Wahab b) Zain Al-Abidin Muhammad Husain c) Zayn Al-Abidin Muhammad Husayn d) Zeinulabideen Muhammed Husein Abu Zubeidah **Insuficiente para identificação:** a) Abu Zubaydah b) Abu Zubaida c) Tariq Hani **Nacionalidade:** palestiniana **Passaporte n.º:** — **N.º de identificação nacional:** — **Endereço:** — **Data de inserção na lista:** 25/1/2001 (alterada em 10/4/2003, 25/7/2006, 23/4/2007, 18/7/2007, 27/7/2007, 17/7/2009, 16/12/2010) **Outras informações:** Colaborador próximo de Usama bin Laden (QI.B.8.01) e facilitador de viagens de terroristas. Sob custódia dos Estados Unidos da América em Julho de 2007. Revisão nos termos da Resolução n.º 1822 (2008) do Conselho de Segurança concluída em 21/6/2010.

**QI.H.195.05. Nome:** 1: AL SAYYID 2: AHMED 3: FATHI 4: HUSSEIN ELIWAH

**Nome (grafia original):** [vide versão original em língua inglesa]

**Título:** — **Cargo:** — **Data de nascimento:** a) 30/7/1964 b) 30/1/1964 **Local de nascimento:** Suez, Egipto **Também conhecido por, suficiente para identificação:** a) Al Sayyid Ahmed Fathi Hussein Eliwa b) Al Sayyid Ahmed Fathi Hussein Alaiwah c) Al Sayyid Ahmed Fathi Hussein Elaiwa d) Al Sayyid Ahmed Fathi Hussein Ilewah e) Al Sayyid Ahmed Fathi Hussein Alaywah f) El Sayed Ahmad Fathi Hussein Elaiwa g) Hatim h) Hisham i) Abu Umar j) El-Sayed Ilawah nascido em 3/7/1954 **Insuficiente para identificação:** — **Nacionalidade:** egípcia **Passaporte n.º:** passaporte britânico n.º RP0185179, emitido em 11/9/2001, válido até 11/9/2011 (em nome de Al-Sayyid Ilewah) **N.º de identificação nacional:** — **Endereço:** Reino Unido **Data de inserção na lista:** 29/9/2005 (alterada em

6/10/2005, 18/8/2006, 13/12/2011) **Outras informações:** Condenado a uma pena de 15 anos de prisão no Egipto, em 1999. Filiação paterna: Fathi Hussein Elaiwa. Membro do Jihad Islâmico Egípcio (QE.A.3.01). Revisão nos termos da Resolução n.º 1822 (2008) do Conselho de Segurança concluída em 29/7/2010.

**QI.I.67.02. Nome:** 1: MOSTAFA 2: KAMEL 3: MOSTAFA 4: IBRAHIM

**Nome (grafia original):** [*vide* versão original em língua inglesa]

**Título: — Cargo: — Data de nascimento:** 15/4/1958 **Local de nascimento:** Alexandria, Egipto **Também conhecido por, suficiente para identificação:** a) Mustafa Kamel Mustafa b) Adam Ramsey Eaman c) Kamel Mustapha Mustapha d) Mustapha Kamel Mustapha e) Abu Hamza f) Mostafa Kamel Mostafa **Insuficiente para identificação:** a) Abu Hamza Al-Masri b) Al-Masri, Abu Hamza c) Al-Misri, Abu Hamza **Nacionalidade:** britânica **Passaporte n.º: — N.º de identificação nacional: — Endereço:** a) 9 Aldbourne Road, Shepherds Bush, Londres, W12 OLW, Reino Unido b) 8 Adie Road, Hammersmith, Londres, W6 OPW, Reino Unido **Data de inserção na lista:** 24/4/2002 (alterada em 26/11/2004, 25/7/2006, 14/3/2008, 21/10/2010) **Outras informações:** Detido no Reino Unido em Novembro de 2009. Revisão nos termos da Resolução n.º 1822 (2008) do Conselho de Segurança concluída em 22/4/2010.

**QI.I.308.12. Nome:** 1: ZAFAR 2: IQBAL 3: — 4: —

**Título: — Cargo: — Data de nascimento:** 4/10/1953 **Local de nascimento: — Também conhecido por, suficiente para identificação:** a) Zaffer Iqbal b) Malik Zafar Iqbal Shehbaz c) Malik Zafar Iqbal Shahbaz d) Malik Zafar Iqbal **Insuficiente para identificação:** a) Zafar Iqbal Chaudhry b) Muhammad Zafar Iqbal **Nacionalidade:** paquistanesa **Passaporte n.º:** passaporte n.º DG5149481, emitido em 22/8/2006, caducado em 21/8/2011, passaporte n.º A2815665 **N.º de identificação nacional:** identificação nacional n.º 35202- 4135948-7 b) identificação nacional alternativa n.º 29553654234 **Endereço:** Masjid al-Qadesia, 4 Lake Road, Lahore, Paquistão **Data de inserção na lista:** 14/3/2012 **Outras informações:** Dirigente superior e co-fundador do Lashkar-e-Tayyiba (QE.L.118.05.) (LeT) que ocupou altos cargos de liderança no LeT e na sua organização de fachada, a Jamaat-ud-Dawa (JUD) (inserida na lista como sendo o mesmo que o LeT). A partir de 2010,



responsável pelo departamento financeiro do LeT/JUD, director do seu departamento de educação e presidente da sua ala médica. Outro título: Professor.

**QI.I.87.03. Nome:** 1: NURJAMAN 2: RIDUAN 3: ISAMUDDIN 4: —

**Título:** — **Cargo:** — **Data de nascimento:** 4/4/1964 **Local de nascimento:** Cianjur, Java Ocidental, Indonésia **Também conhecido por, suficiente para identificação:** a) Hambali b) Nurjaman c) Isomuddin, Nurjaman Riduan d) Hambali Bin Ending e) Encep Nurjaman (nome de baptismo) f) Hambali Ending Hambali g) Isamuddin Riduan h) Isamudin Ridwan **Insuficiente para identificação:** — **Nacionalidade:** indonésia **Passaporte n.º:** — **N.º de identificação nacional:** — **Endereço:** — **Data de inserção na lista:** 28/1/2003 (alterada em 2/7/2007, 27/7/2007, 16/5/2011) **Outras informações:** Dirigente superior do Jemaah Islamiyah (QE.J.92.02.). Irmão de Gun Gun Rusman Gunawan (QI.G.218.06.). Sob custódia dos Estados Unidos da América, desde Julho de 2007. Revisão nos termos da Resolução n.º 1822 (2008) do Conselho de Segurança concluída em 13/4/2010.

**QI.I.321.14. Nome:** 1: MALIK 2: MUHAMMAD 3: ISHAQ 4: —

**Nome (grafia original):** [*vide* versão original em língua inglesa]

**Título:** — **Cargo:** — **Data de nascimento:** aproximadamente 1959 **Local de nascimento:** Rahim Yar Khan, província de Punjab, Paquistão **Também conhecido por, suficiente para identificação:** Malik Ishaq **Insuficiente para identificação:** — **Nacionalidade:** paquistanesa **Passaporte n.º:** — **N.º de identificação nacional:** — **Endereço:** Paquistão **Data de inserção na lista:** 14/3/2014 **Outras informações:** Um dos fundadores e actuais líderes do Lashkar i Jhangvi (LJ) (QE.L.96.03). Descrição física: compleição pesada, olhos pretos, cabelo preto e tez acastanhada com barba preta espessa. Fotografia disponível para inclusão no INTERPOL-ONU Alerta Especial do Conselho de Segurança.

**QI.J.180.04. Nome:** 1: KHADAFI 2: ABUBAKAR 3: JANJALANI 4: —

**Título:** — **Cargo:** — **Data de nascimento:** 3/3/1975 **Local de nascimento:** Isabela, Basilan, Filipinas **Também conhecido por, suficiente para identificação:** a) Khadafy Janjalani b) Khaddafy Abubakar Janjalani c) Abu Muktar **Insuficiente**

**para identificação:** — **Nacionalidade:** filipina **Passaporte n.º:** — **N.º de identificação nacional:** — **Endereço:** — **Data de inserção na lista:** 22/12/2004 (alterada em 23/2/2009) **Outras informações:** Alegadamente falecido em 2006. Revisão nos termos da Resolução n.º 1822 (2008) do Conselho de Segurança concluída em 29/7/2010.

**QI.J.99.03. Nome:** 1: KHALIL 2: BEN AHMED 3: BEN MOHAMED 4: JARRAYA

**Nome (grafia original):** [*vide* versão original em língua inglesa]

**Título:** — **Cargo:** — **Data de nascimento:** 8/2/1969 **Local de nascimento:** Sfax, Tunísia **Também conhecido por, suficiente para identificação:** a) Khalil Yarraya b) Ben Narvan Abdel Aziz, nascido em 15/8/1970 em Sereka, antiga Jugoslávia c) Abdel Aziz Ben Narvan, nascido em 15/8/1970 em Sereka, antiga Jugoslávia **Insuficiente para identificação:** a) Amro b) Omar c) Amrou d) Amr **Nacionalidade:** tunisina **Passaporte n.º:** passaporte tunisino n.º K989895, emitido em 26/7/1995 em Génova, Itália, caducado em 25/7/2000 **N.º de identificação nacional:** — **Endereço:** Nuoro, Itália **Data de inserção na lista:** 25/6/2003 (alterada em 26/11/2004, 20/12/2005, 17/10/2007, 16/9/2008, 24/3/2009, 10/8/2009, 6/8/2010) **Outras informações:** Detido em Itália desde 9/8/2008 por implicação num caso relacionado com terrorismo. Revisão nos termos da Resolução n.º 1822 (2008) do Conselho de Segurança concluída em 15/6/2010.

**QI.J.79.02. Nome:** 1: WA'EL 2: HAMZA 3: ABD AL-FATAH 4: JULAIDAN

**Nome (grafia original):** [*vide* versão original em língua inglesa]

**Título:** — **Cargo:** — **Data de nascimento:** a) 22/1/1958 b) 20/1/1958 **Local de nascimento:** Al-Madinah, Arábia Saudita **Também conhecido por, suficiente para identificação:** a) Wa'il Hamza Julaidan b) Wa'el Hamza Jalaidan c) Wa'il Hamza Jalaidan d) Wa'el Hamza Jaladin e) Wa'il Hamza Jaladin f) Wail H.A. Jlidan **Insuficiente para identificação:** Abu Al-Hasan Al Madani **Nacionalidade:** saudita **Passaporte n.º:** a) passaporte saudita n.º A-992535 b) passaporte n.º B 524420, emitido em 15/7/1998, caducado em 22/5/2003 **N.º de identificação nacional:** — **Endereço:** — **Data de inserção na lista:** 11/9/2002 (alterada em 23/4/2007, 23/12/2010) **Outras informações:** Director Executivo do Rabita Trust

(QE.R.21.01.). Revisão nos termos da Resolução n.º 1822 (2008) do Conselho de Segurança concluída em 20/5/2010.

**QLJ.114.03. Nome:** 1: SALIM Y SALAMUDDIN 2: JULKIPLI 3: — 4: —

**Título:** — **Cargo:** — **Data de nascimento:** 20/6/1967 **Local de nascimento:** Tulay, Jolo Sulu, Filipinas **Também conhecido por, suficiente para identificação:** a) Kipli Sali b) Julkipli Salim **Insuficiente para identificação:** — **Nacionalidade:** filipina **Passaporte n.º:** — **N.º de identificação nacional:** — **Endereço:** — **Data de inserção na lista:** 9/9/2003 (alterada em 23/2/2009, 13/12/2011) **Outras informações:** Detido nas Filipinas em Maio de 2011. Revisão nos termos da Resolução n.º 1822 (2008) do Conselho de Segurança concluída em 25/5/2010.

**QLK.72.02. Nome:** 1: MEHDI 2: BEN MOHAMED 3: BEN MOHAMED 4: KAMMOUN

**Nome (grafia original):** [vide versão original em língua inglesa]

**Título:** — **Cargo:** — **Data de nascimento:** 3/4/1968 **Local de nascimento:** Tunes, Tunísia **Também conhecido por, suficiente para identificação:** — **Insuficiente para identificação:** Salmane **Nacionalidade:** tunisina **Passaporte n.º:** passaporte tunisino n.º M307707, emitido em 12/4/2000, caducado em 11/4/2005 **N.º de identificação nacional:** — **Endereço:** Via Masina number 7, Milão, Itália **Data de inserção na lista:** 3/9/2002 (alterada em 20/12/2005, 7/6/2007, 23/12/2010) **Outras informações:** Código fiscal italiano: KMMMHD68D03Z352N. Expulso de Itália para a Tunísia em 22/7/2005. A cumprir uma pena de 8 anos de prisão na Tunísia por associação a uma organização terrorista no estrangeiro, em Janeiro de 2010. Revisão nos termos da Resolução do Conselho de Segurança n.º 1822 (2008) concluída em 21/6/2010.

**QLK.302.12. Nome:** 1: MEVLÜT 2: KAR 3: — 4: —

**Título:** — **Cargo:** — **Data de nascimento:** 25/12/1978 **Local de nascimento:** Ludwigshafen, Alemanha **Também conhecido por, suficiente para identificação:** Mevluet Kar **Insuficiente para identificação:** a) Abu Obaidah b) Obeidah Al Turki c) Al-Turki d) Al Turki Kyosev e) Yanal Yusov f) Abu Udejf el-Turki g) Abu Obejd el-Turki h) Abdurrahman Almanci **Nacionalidade:** turca **Passaporte n.º:**

passaporte turco n.º TR-M842033 emitido em Mainz, Alemanha, pelo Consulado Geral da Turquia, em 2/5/2002, caducado em 24/7/2007 **N.º de identificação nacional:** — **Endereço:** Güngören Merkez Mahallesi Toros Sokak 6/5, Istambul, Turquia, (anterior, em Agosto de 2009) **Data de inserção na lista:** 25/1/2012 **Outras informações:** Associado ao Grupo Jihad Islâmico (QE.I.119.05.). Objecto de um mandado de captura emitido pelo juiz de investigação do Tribunal Federal de Justiça Alemão em 17/8/2009.

**QI.K.135.03. Nome:** 1: DAWOOD 2: IBRAHIM 3: KASKAR 4: —

**Título:** Xeque **Cargo:** — **Data de nascimento:** 26/12/1955 **Local de nascimento:** a) Bombaim b) Ratnagiri, Índia **Também conhecido por, suficiente para identificação:** a) Dawood Ebrahim b) Xeque Dawood Hassan c) Abdul Hamid Abdul Aziz d) Anis Ibrahim e) Aziz Dilip f) Daud Hasan Shaikh Ibrahim Kaskar g) Daud Ibrahim Memon Kaskar h) Dawood Hasan Ibrahim Kaskar i) Dawood Ibrahim Memon j) Dawood Sabri k) Kaskar Dawood Hasan l) Shaikh Mohd Ismail Abdul Rehman m) Dowood Hassan Shaikh Ibrahim **Insuficiente para identificação:** a) Ibrahim Shaikh Mohd Anis b) Shaikh Ismail Abdul c) Hizrat **Nacionalidade:** indiana **Passaporte n.º:** a) passaporte indiano n.º A-333602 emitido em Bombaim, Índia, em 4/6/1985 (passaporte posteriormente revogado pelo governo indiano) b) passaporte indiano n.º M110522, emitido em Bombaim, em 13/11/1978 c) passaporte indiano n.º R841697 emitido em Bombaim, em 26/11/1981 d) passaporte indiano n.º F823692 (JEDDAH) emitido pelo CGI em Jeddah, em 2/9/1989 e) passaporte indiano n.º A501801 (BOMBAIM), emitido em 26/7/1985 f) passaporte indiano n.º K560098 (BOMBAIM), emitido em 30/7/1975 g) passaporte n.º V57865 (BOMBAIM), emitido em 3/10/1983 h) passaporte n.º P537849 (BOMBAIM), emitido em 30/7/1979 i) passaporte n.º A717288 (MISUSE) emitido no Dubai, em 18/8/1985 j) passaporte paquistanês n.º G866537 (MISUSE) emitido em Rawalpindi, em 12/8/1991 k) passaporte n.º C-267185 emitido em Carachi, em Julho de 1996 l) passaporte n.º H-123259 emitido em Rawalpindi, em Julho de 2001 m) passaporte n.º G-869537 emitido em Rawalpindi n) passaporte n.º KC-285901 **N.º de identificação nacional:** — **Endereço:** a) Carachi/Paquistão, White House, perto da mesquita saudita, Clifton b) House Nu 37 - 30th Street - defence, Autoridade para a Habitação Carachi Paquistão c) *Bungalow* apalaçado na zona montanhosa de Noorabad, Carachi d) Propriedade em Margalla Raod F 6/2 Street no. 22, House number 29, Carachi **Data de inserção na lista:** 3/11/2003 (alterada em 21/3/2006,

25/7/2006, 2/7/2007, 11/3/2010) **Outras informações:** Objecto de um mandado de captura internacional emitido pelo Governo da Índia. Revisão nos termos da Resolução n.º 1822 (2008) do Conselho de Segurança concluída em 20/5/2010.

**QI.K.306.12. Nome:** 1: MUSTAFA 2: HAJJI 3: MUHAMMAD 4: KHAN

**Nome (grafia original):** [vide versão original em língua inglesa]

**Título:** — **Cargo:** — **Data de nascimento:** a) Entre Agosto e Setembro de 1977 b) 1976 **Local de nascimento:** a) Al-Madinah, Arábia Saudita b) Sangrar, província de Sindh, Paquistão **Também conhecido por, suficiente para identificação:** a) [texto em árabe] (Hassan Ghul; Hassan Gul; Hasan Gul) b) Khalid Mahmud **Insuficiente para identificação:** a) Ahmad Shahji b) Mustafa Muhammad c) Abu Gharib al-Madani d) [texto em árabe] (Abu-Shaima; Abu- Shayma) **Nacionalidade:** a) paquistanesa b) saudita **Passaporte n.º:** — **N.º de identificação nacional:** — **Endereço:** — **Data de inserção na lista:** 14/3/2012 **Outras informações:** Facilitador, mensageiro e operacional da Al-Qaida (QE.A.4.01.). Desde 2010, facilitou as actividades para os operacionais seniores da Al-Qaida fixados no Paquistão.

**QI.K.73.02. Nome:** 1: SAMIR 2: ABD EL LATIF 3: EL SAYED 4: KISHK

**Nome (grafia original):** [vide versão original em língua inglesa]

**Título:** — **Cargo:** — **Data de nascimento:** 14/5/1955 **Local de nascimento:** Gharbia, Egipto **Também conhecido por, suficiente para identificação:** Samir Abdellatif el Sayed Keshk **Insuficiente para identificação:** — **Nacionalidade:** egípcia **Passaporte n.º:** — **N.º de identificação nacional:** — **Endereço:** — **Data de inserção na lista:** 3/9/2002 (alterada em 26/11/2004, 7/6/2007, 16/5/2011) **Outras informações:** Expulso de Itália para o Egipto em 2/7/2003. Revisão nos termos da Resolução n.º 1822 (2008) do Conselho de Segurança concluída em 16/7/2010.

**QI.L.190.05. Nome:** 1: ABDELKADER 2: LAAGOUB 3: — 4: —

**Nome (grafia original):** [vide versão original em língua inglesa]

**Título:** — **Cargo:** — **Data de nascimento:** 23/4/1966 **Local de nascimento:** Casablanca, Marrocos **Também conhecido por, suficiente para identificação:** —

**Insuficiente para identificação:** Rachid **Nacionalidade:** marroquina **Passaporte n.º:** passaporte marroquino n.º D-379312 **N.º de identificação nacional:** bilhete de identidade marroquino DE- 473900 **Endereço:** Number 4, Via Europa, Paderno Ponchielli, Cremona, Itália **Data de inserção na lista:** 29/7/2005 (alterada em 21/12/2007, 13/12/2011) **Outras informações:** Código fiscal italiano: LGBBLK66D23Z330U. Filiação paterna: Mamoune Mohamed. Filiação materna: Fatna Ahmed. Revisão nos termos da Resolução n.º 1822 (2008) do Conselho de Segurança concluída em 8/6/2010.

**QI.L.319.13. Nome:** 1: MOHAMED 2: LAHBOUS 3: — 4: —

**Nome (grafia original):** [*vide* versão original em língua inglesa]

**Título:** — **Cargo:** — **Data de nascimento:** 1978 **Local de nascimento:** Mali **Também conhecido por, suficiente para identificação:** a) Mohamed Ennouini b) Hassan c) Hocine **Insuficiente para identificação:** — **Nacionalidade:** malaia **Passaporte n.º:** — **N.º de identificação nacional:** — **Endereço:** Mali **Data de inserção na lista:** 24/10/2013 **Outras informações:** Membro do “Mouvement pour l’Unification et le Jihad en Afrique de l’Ouest” (MUJAO) (QE.M.134.12).

**QI.L.264.08. Nome:** 1: ZAKI-UR-REHMAN 2: LAKHVI 3: — 4: —

**Título:** — **Cargo:** — **Data de nascimento:** 30/12/1960 **Local de nascimento:** Okara, Paquistão **Também conhecido por, suficiente para identificação:** a) Zakir Rehman Lakvi b) Zaki Ur-Rehman Lakvi c) Kaki Ur-Rehman d) Zakir Rehman e) Abu Waheed Irshad Ahmad Arshad **Insuficiente para identificação:** Chachajee **Nacionalidade:** paquistanesa **Passaporte n.º:** — **N.º de identificação nacional:** identificação nacional paquistanesa n.º 61101-9618232-1 **Endereço:** a) Barahkoh, P.O. DO, Tehsil e distrito de Islamabade, Paquistão, (localização em Maio de 2008) b) Chak No. 18/IL, Rinala Khurd, Tehsil Rinala Khurd, distrito de Okara, Paquistão, (localização anterior) **Data de inserção na lista:** 10/12/2008 **Outras informações:** Chefe de operações de Lashkar-e-Tayyiba (inserido na lista com a referência permanente número QE.L.118.05.).

**QI.L.247.08. Nome:** 1: RUBEN 2: PESTANO 3: LAVILLA, JR 4: —

**Título:** Xeque **Cargo:** — **Data de nascimento:** 4/10/1972 **Local de nascimento:** Sitio Banga Maiti, Barangay Tranhawan, Lambunao, Iloilo, Filipinas **Também conhecido por, suficiente para identificação:** a) Reuben Lavilla b) Xeque Omar c) Mile D Lavilla d) Reymund Lavilla e) Ramo Lavilla f) Mike de Lavilla g) Abdullah Muddaris h) Ali Omar i) Omar Lavilla j) Omar Labella **Insuficiente para identificação:** a) So b) Eso c) Junjun **Nacionalidade:** filipina **Passaporte n.º:** a) passaporte filipino n.º MM611523 (2004) b) passaporte filipino n.º EE947317 (2000-2001) c) passaporte filipino n.º P421967 (1995-1997) **N.º de identificação nacional:** — **Endereço:** 10th Avenue, cidade de Caloocan, Filipinas **Data de inserção na lista:** 4/6/2008 (alterada em 16/9/2008, 13/12/2011) **Outras informações:** Líder espiritual do Movimento Rajah Solaiman (QE.R.128.08.). Associado a Khadafi Abubakar Janjalani (QI.J.180.04.) e à sucursal das Filipinas da Organização Internacional de Auxílio Islâmico (QE.I.126.06.). Detido nas Filipinas desde Maio de 2011. Revisão nos termos da Resolução n.º 1822 (2008) do Conselho de Segurança concluída em 13/5/2010.

**QI.L.155.04. Nome:** 1: DJAMEL 2: LOUNICI 3: — 4: —

**Nome (grafia original):** [*vide* versão original em língua inglesa]

**Título:** — **Cargo:** — **Data de nascimento:** 1/2/1962 **Local de nascimento:** Argel, Argélia **Também conhecido por, suficiente para identificação:** Jamal Lounici **Insuficiente para identificação:** — **Nacionalidade:** argelina **Passaporte n.º:** — **N.º de identificação nacional:** — **Endereço:** Argélia **Data de inserção na lista:** 16/1/2004 (alterada em 7/4/2008, 2/12/2008, 30/1/2009, 16/5/2011) **Outras informações:** Filiação paterna: Abdelkader. Filiação materna: Johra Birouh. Regressou de Itália para a Argélia onde reside desde Novembro de 2008. Genro de Othman Deramchi (QI.D.164.04). Revisão nos termos da Resolução n.º 1822 (2008) do Conselho de Segurança concluída em 27/7/2010.

**QI.M.286.10. Nome:** 1: HAKIMULLAH 2: MEHSUD 3: — 4: —

**Nome (grafia original):** [*vide* versão original em língua inglesa]

**Título:** — **Cargo:** — **Data de nascimento:** aproximadamente 1979 **Local de nascimento:** Paquistão **Também conhecido por, suficiente para identificação:** Hakeemullah Mehsud **Insuficiente para identificação:** Zulfiqar **Nacionalidade:**

paquistanesa **Passaporte n.º:** — **N.º de identificação nacional:** — **Endereço:** — **Data de inserção na lista:** 21/10/2010 (alterada em 29/7/2011) **Outras informações:** Alegadamente nascido no Waziristão do Sul, Paquistão, encontrando-se supostamente a residir no Paquistão. Líder do Tehrik-e Taliban Paquistão (TTP) (QE.T.132.11.), uma organização fixada nas zonas tribais ao longo da fronteira Afeganistão/Paquistão.

**QI.M.206.05. Nome:** 1: IBRAHIM 2: MOHAMED KHALIL 3: — 4: —

**Nome (grafia original):** [*vide* versão original em língua inglesa]

**Título:** — **Cargo:** — **Data de nascimento:** 2/7/1975 **Local de nascimento:** Day Az-Zawr, Síria **Também conhecido por, suficiente para identificação:** a) Khalil Ibrahim Jassem, nascido em 2/5/1972 em Bagdade, Iraque b) Khalil Ibrahim Mohammad, nascido em 3/7/1975 em Mosul, Iraque c) Khalil Ibrahim Al Zafiri, nascido em 1972 d) Khalil, nascido em 2/5/1975 **Insuficiente para identificação:** — **Nacionalidade:** síria **Passaporte n.º:** Suspensão temporária de expulsão n.º T04338017 emitida pelo Gabinete de Estrangeiros da cidade de Mainz, caducada em 8/5/2013 **N.º de identificação nacional:** — **Endereço:** Campo de refugiados Alte Ziegelei, 55128 Mainz, Alemanha **Data de inserção na lista:** 6/12/2005 (alterada em 25/1/2010, 13/12/2011, 6/8/2013) **Outras informações:** Condenado a uma pena de 7 anos de prisão na Alemanha, em 6/12/2007. Libertado em 30/12/2012. Revisão nos termos da Resolução n.º 1822 (2008) do Conselho de Segurança concluída em 5/10/2009.

**QI.A.202.05. Nome:** 1: MAZEN 2: SALAH 3: MOHAMMED 4: —

**Nome (grafia original):** [*vide* versão original em língua inglesa]

**Título:** — **Cargo:** — **Data de nascimento:** 18/5/1981 **Local de nascimento:** Arbil, Iraque **Também conhecido por, suficiente para identificação:** a) Mazen Ali Hussein, nascido em 1/1/1982, em Bagdade, Iraque b) Issa Salah Muhamad, nascido em 1/1/1980 **Insuficiente para identificação:** — **Nacionalidade:** iraquiana **Passaporte n.º:** documento de viagem alemão (“Reiseausweis”) A 0144378 (revogado desde Setembro de 2012) **N.º de identificação nacional:** — **Endereço:** 94051 Hauzenberg, Alemanha **Data de inserção na lista:** 6/12/2005 (alterada em 21/10/2008, 13/12/2011, 15/11/2012) **Outras informações:** Membro do Ansar Al-Islam (QE.A.98.03). Libertado de prisão na Alemanha em 18/5/2012. Revisão nos



termos da Resolução n.º 1822 (2008) do Conselho de Segurança concluída em 30/7/2009.

**QI.Y.126.03. Nome:** 1: YUNOS 2: UMPARA 3: MOKLIS 4: —

**Título:** — **Cargo:** — **Data de nascimento:** 7/7/1966 **Local de nascimento:** Lanao del Sur, Filipinas **Também conhecido por, suficiente para identificação:** a) Muklis Yunos b) Mukhlis Yunos (como inserido anteriormente na lista) c) Saifullah Mukhlis Yunos d) Saifulla Moklis Yunos **Insuficiente para identificação:** Hadji Onos **Nacionalidade:** filipina **Passaporte n.º:** — **N.º de identificação nacional:** — **Endereço:** Filipinas **Data de inserção na lista:** 9/9/2003 (alterada em 9/9/2005, 23/2/2009, 3/6/2009, 16/5/2011) **Outras informações:** Condenado a uma pena de prisão perpétua sem direito a liberdade condicional, nas Filipinas, em 23/1/2009, pelo seu envolvimento nos atentados à bomba de 30/12/2000 em Manila, nas Filipinas. Revisão nos termos da Resolução n.º 1822 (2008) do Conselho de Segurança concluída em 25/5/2010.

**QI.M.147.03. Nome:** 1: MOHAMED 2: AMIN 3: MOSTAFA 4: —

**Nome (grafia original):** [*vide* versão original em língua inglesa]

**Título:** — **Cargo:** — **Data de nascimento:** 11/10/1975 **Local de nascimento:** Kirkuk, Iraque **Também conhecido por, suficiente para identificação:** — **Insuficiente para identificação:** — **Nacionalidade:** — **Passaporte n.º:** — **N.º de identificação nacional:** — **Endereço:** Via della Martinella 132, Parma, Itália (domicílio) **Data de inserção na lista:** 12/11/2003 (alterada em 9/9/2005, 7/6/2007, 16/5/2011) **Outras informações:** Sujeito a medidas administrativas de controlo em Itália que expiram em 15/1/2012. Revisão nos termos da Resolução n.º 1822 (2008) do Conselho de Segurança concluída em 21/6/2010.

**QI.M.129.03. Nome:** 1: DJAMEL 2: MOUSTFA 3: — 4: —

**Nome (grafia original):** [*vide* versão original em língua inglesa]

**Título:** — **Cargo:** — **Data de nascimento:** 28/9/1973 **Local de nascimento:** Tiaret, Argélia **Também conhecido por, suficiente para identificação:** a) Ali Barkani, nascido em 22/8/1973, em Marrocos b) Kalad Belkasam, nascido em 31/12/1979 c) Mostafa Djamel, nascido em 31/12/1979, em Maskara, Argélia d)

Mostefa Djamel, nascido em 26/9/1973, em Mahdia, Argélia e) Mustafa Djamel, nascido em 31/12/1979, em Mascara, Argélia f) Balkasam Kalad, nascido em 26/8/1973 em Argel, Argélia g) Bekasam Kalad, nascido em 26/8/1973, em Argel, Argélia h) Belkasam Kalad, nascido em 26/8/1973, em Argel, Argélia i) Damel Mostafa, nascido em 31/12/1979, em Argel, Argélia j) Djamel Mostafa, nascido em 31/12/1979, em Maskara, Argélia k) Djamel Mostafa, nascido em 10/6/1982 l) Djamel Mostafa, nascido em 31/12/1979, em Maskara, Argélia m) Djamel Mostafa, nascido em 31/12/1979, em Argel, Argélia n) Fjamel Moustfa, nascido em 28/9/1973, em Tiaret, Argélia o) Djamel Mustafa, nascido em 31/12/1979 p) Djamel Mustafa, nascido em 31/12/1979, em Mascara, Argélia **Insuficiente para identificação:** Mustafa **Nacionalidade:** argelina **Passaporte n.º:** a) carta de condução dinamarquesa falsa n.º 20645897, em nome de Ali Barkani, nascido em 22/8/1973, em Marrocos b) certificado de nascimento argelino, emitido em nome de Djamel Mostefa, nascido em 25/9/1973, em Mehdiya, província de Tiaret, Argélia **N.º de identificação nacional:** — **Endereço:** Argélia **Data de inserção na lista:** 23/9/2003 (alterada em 7/9/2007, 7/4/2008, 25/1/2010, 16/5/2011) **Outras informações:** Filiação paterna: Djelalli Moustfa. Filiação materna: Kadeja Mansore. Associado a Ismail Abdallah Sbaitan Shalabi (QI.S.128.03), Mohamed Abu Dhess (QI.A.130.03) e Aschraf Al-Dagma (QI.A.132.03). Expulso da Alemanha para a Argélia em Setembro de 2007. Revisão nos termos da Resolução n.º 1822 (2008) do Conselho de Segurança concluída em 19/10/2009.

**QI.A.238.08. Nome:** 1: MUBARAK 2: MUSHAKHAS 3: SANAD 4: MUBARAK AL-BATHALI

**Nome (grafia original):** [vide versão original em língua inglesa]

**Título:** — **Cargo:** — **Data de nascimento:** 1/10/1961 **Local de nascimento:** Kowait **Também conhecido por, suficiente para identificação:** a) Mubarak Mishkhis Sanad Al-Bathali b) Mubarak Mishkhis Sanad Al-Badhali c) Mubarak Al-Bathali d) Mubarak Mishkhas Sanad Al-Bathali e) Mubarak Mishkhas Sanad Al-Bazali f) Mobarak Meshkhas Sanad Al-Bthaly **Insuficiente para identificação:** Abu Abdulrahman **Nacionalidade:** koweitiana **Passaporte n.º:** a) passaporte koweitiano n.º 101856740, emitido em 12/5/2005 e caducado em 11/5/2007 b) passaporte koweitiano n.º 002955916 **N.º de identificação nacional:** identificação nacional koweitiana n.º 261122400761 **Endereço:** zona de Al-Salibekhat, Kowait,

(residência em Março de 2009) **Data de inserção na lista:** 16/1/2008 (alterada em 1/7/2008, 23/7/2008, 25/1/2010) **Outras informações:** Revisão nos termos da Resolução n.º 1822 (2008) do Conselho de Segurança concluída em 14/9/2009.

**QI.M.272.09. Nome:** 1: MOHAMMED 2: YAHYA 3: MUJAHID 4: —

**Título:** — **Cargo:** — **Data de nascimento:** 12/3/1961 **Local de nascimento:** Lahore, província de Punjab, Paquistão **Também conhecido por, suficiente para identificação:** Mohammad Yahya Aziz **Insuficiente para identificação:** — **Nacionalidade:** paquistanesa **Passaporte n.º:** — **N.º de identificação nacional:** identificação nacional paquistanesa n.º 35404-1577309-9 **Endereço:** — **Data de inserção na lista:** 29/6/2009 **Outras informações:** Associado a Lashkar-e-Tayyiba (QE.L.118.05.). Detido em Junho de 2009.

**QI.M.119.03. Nome:** 1: ARIS 2: MUNANDAR 3: — 4: —

**Título:** — **Cargo:** — **Data de nascimento:** a) 1/1/1971 b) Entre 1962 e 1968 **Local de nascimento:** Sambu, Boyolali, Java, Indonésia **Também conhecido por, suficiente para identificação:** — **Insuficiente para identificação:** — **Nacionalidade:** — **Passaporte n.º:** — **N.º de identificação nacional:** — **Endereço:** — **Data de inserção na lista:** 9/9/2003 (alterada em 9/9/2005, 4/10/2006) **Outras informações:** Revisão nos termos da Resolução n.º 1822 (2008) do Conselho de Segurança concluída em 25/5/2010.

**QI.M.120.03. Nome:** 1: ABDUL HAKIM 2: MURAD 3: — 4: —

**Nome (grafia original):** [vide versão original em língua inglesa]

**Título:** — **Cargo:** — **Data de nascimento:** 11/4/1968 **Local de nascimento:** Kuwait **Também conhecido por, suficiente para identificação:** a) Murad, Abdul Hakim Hasim b) Murad, Abdul Hakim Ali Hashim c) Murad, Abdul Hakim al Hashim d) Saeed Akman e) Saeed Ahmed f) Abdul Hakim Ali al-Hashem Murad **Insuficiente para identificação:** — **Nacionalidade:** paquistanesa **Passaporte n.º:** a) passaporte paquistanês n.º 665334 emitido no Kuwait b) passaporte paquistanês n.º 917739 emitido no Paquistão em 8/8/1991, caducado em 7/8/1996 **N.º de identificação nacional:** — **Endereço:** — **Data de inserção na lista:** 9/9/2003 (alterada em 16/5/2011) **Outras informações:** Filiação materna: Aminah Ahmad

Sher al-Baloushi. Sob custódia dos Estados Unidos. Revisão nos termos da Resolução n.º 1822 (2008) do Conselho de Segurança concluída em 25/5/2010.

**QI.M.196.05. Nome:** 1: ALI 2: SAYYID 3: MUHAMED 4: MUSTAFA BAKRI

**Nome (grafia original):** [*vide* versão original em língua inglesa]

**Título:** — **Cargo:** — **Data de nascimento:** 18/4/1966 **Local de nascimento:** Beni-Suef, Egipto **Também conhecido por, suficiente para identificação:** a) Ali Salim b) Abd Al-Aziz al-Masri **Insuficiente para identificação:** — **Nacionalidade:** egípcia **Passaporte n.º:** — **N.º de identificação nacional:** — **Endereço:** — **Data de inserção na lista:** 29/9/2005 (alterada em 13/12/2011) **Outras informações:** Membro do Conselho Shura da Al-Qaida (QE.A.4.01.) e do Jihad Islâmico Egípcio (QE.A.3.01). Revisão nos termos da Resolução n.º 1822 (2008) do Conselho de Segurança concluída em 1/6/2010.

**QI.N.280.10. Nome:** 1: TAYEB 2: NAIL 3: — 4: —

**Nome (grafia original):** [*vide* versão original em língua inglesa]

**Título:** — **Cargo:** — **Data de nascimento:** aproximadamente 1972 **Local de nascimento:** Faidh El Batma, Djelfa, Argélia **Também conhecido por, suficiente para identificação:** a) Djaafar Abou Mohamed [grafia árabe] b) Abou Mouhadjir [grafia árabe] c) Mohamed Ould Ahmed Ould Ali, nascido em 1976 **Insuficiente para identificação:** — **Nacionalidade:** argelina **Passaporte n.º:** — **N.º de identificação nacional:** — **Endereço:** Mali **Data de inserção na lista:** 22/4/2010 **Outras informações:** Condenado à revelia pelo Tribunal Argelino em 28/3/1996. Mandado de captura internacional argelino número 04/09, de 6/6/2009, emitido pelo Tribunal de Sidi Mhamed, Argel, Argélia. Pedido de extradição argelino número 2307/09, de 3/9/2009, apresentado às autoridades do Mali. Processo da INTERPOL n.º 19230/2009, de 26/6/2009; controlo n.º A-1818/6-2009. Filiação paterna: Benazouz Nail. Filiação materna: Belkheiri Oum El Kheir. Membro da Organização da Al-Qaida no Magrebe Islâmico (QE.T.14.01.).

**QI.O.314.13. Nome:** 1: ABDERRAHMANE 2: OULD EL AMAR 3: — 4: —

**Nome (grafia original):** [*vide* versão original em língua inglesa]

**Título:** — **Cargo:** — **Data de nascimento:** entre 1977 e 1982 **Local de nascimento:** Tabankort, Mali **Também conhecido por, suficiente para identificação:** a) Ahmed el Tilemsi b) Abderrahmane Ould el Amar Ould Sidahmed Loukbeiti c) Ahmad Ould Amar **Insuficiente para identificação:** — **Nacionalidade:** maliana **Passaporte n.º:** — **N.º de identificação nacional:** — **Endereço:** a) Gao, Mali b) Tabankort, Mali c) In Khalil, Mali d) Al Moustarat, Mali **Data de inserção na lista:** 22/2/2013 **Outras informações:** Líder do “Mouvement pour l’Unification et le Jihad en Afrique de l’Ouest” (MUJAO) (QE.M.134.12.). Membro da Organização da Al-Qaida no Magrebe Islâmico (QE.T.14.01.). Preso em Abril de 2005 na Mauritânia, evadiu-se da prisão de Nouakchott em 26/4/2006. Preso novamente em Setembro de 2008 no Mali e libertado em 15/4/2009. Associado a Mokhtar Belmokhtar (Q.I.B.136.03.). Filiação paterna: Leewemere.

**QI.O.315.13. Nome:** 1: HAMADA 2: OULD MOHAMED EL KHAIRY 3: —  
4: —

**Nome (grafia original):** [*vide* versão original em língua inglesa]

**Título:** — **Cargo:** — **Data de nascimento:** 1970 **Local de nascimento:** Nouakchott, Mauritânia **Também conhecido por, suficiente para identificação:** a) Hamada Ould Mohamed Lemine Ould Mohamed el Khairy b) Ould Kheirou c) Hamad el Khairy **Insuficiente para identificação:** Abou QumQum **Nacionalidade:** a) mauritana b) maliana **Passaporte n.º:** passaporte do Mali n.º A1447120, caducado em 19/10/2011 **N.º de identificação nacional:** — **Endereço:** Gao, Mali **Data de inserção na lista:** 22/2/2013 **Outras informações:** Líder do “Mouvement pour l’Unification et le Jihad en Afrique de l’Ouest” (MUJAO) (QE.M.134.12.). Prestou apoio logístico ao grupo Al Sahel Moulathamine, ligado à Organização da Al-Qaida no Magrebe Islâmico (QE.T.14.01.). Objecto de um mandado de captura internacional emitido pela Mauritânia. Filiação materna: Tijal Bint Mohamed Dadda.

**QI.O.298.11. Nome:** 1: ABD AL-RAHMAN 2: OULD MUHAMMAD AL-HUSAYN 3: OULD MUHAMMAD SALIM 4: —

**Nome (grafia original):** [*vide* versão original em língua inglesa]

**Título:** — **Cargo:** — **Data de nascimento:** aproximadamente 1981 **Local de nascimento:** Arábia Saudita **Também conhecido por, suficiente para**

**identificação:** a) Abdarrahmane ould Mohamed el Houcein ould Mohamed Salem b) [texto em árabe], (Yunis al-Mauritani; Younis al-Mauritani; Xeque Yunis al-Mauritani; Shaykh Yunis o Mauritano) **Insuficiente para identificação:** a) Salih o Mauritano b) Mohamed Salem c) Youssef Ould Abdel Jelil d) El Hadj Ould Abdel Ghader e) Abdel Khader f) Abou Souleimane g) Chingheity **Nacionalidade:** mauritana **Passaporte n.º:** — **N.º de identificação nacional:** — **Endereço:** — **Data de inserção na lista:** 15/9/2011 **Outras informações:** Dirigente superior da Al-Qaida fixada no Paquistão (QE.A.4.01.) também ligado à Organização da Al-Qaida no Magrebe Islâmico (QE.T.14.01.). Procurado pelas autoridades da Mauritânia.

**QI.P.242.08. Nome:** 1: DINNO AMOR 2: ROSALEJOS 3: PAREJA 4: —

**Título:** — **Cargo:** — **Data de nascimento:** 19/7/1981 **Local de nascimento:** cidade de Cebu, Filipinas **Também conhecido por, suficiente para identificação:** a) Johnny Pareja b) Khalil Pareja **Insuficiente para identificação:** a) Mohammad b) Akmad c) Mighty d) Rash **Nacionalidade:** filipina **Passaporte n.º:** — **N.º de identificação nacional:** — **Endereço:** Atimonana, província de Quezon, Filipinas **Data de inserção na lista:** 4/6/2008 (alterada em 3/6/2009, 13/12/2011) **Outras informações:** Membro do Movimento Rajah Solaiman (QE.R.128.08.). Filiação paterna: Amorsolo Jarabata Pareja. Filiação materna: Leonila Cambaya Rosalejos. Revisão nos termos da Resolução n.º 1822 (2008) do Conselho de Segurança concluída em 13/5/2010.

**QI.P.294.11. Nome:** 1: UMAR 2: PATEK 3: — 4: —

**Título:** — **Cargo:** — **Data de nascimento:** 20/7/1966 **Local de nascimento:** Java Central, Indonésia **Também conhecido por, suficiente para identificação:** a) Omar Patek b) Mike Arsalan c) Hisyam Bin Zein d) Anis Alawi Jafar **Insuficiente para identificação:** a) Pa'tek b) Pak Taek c) Umar Kecil d) Al Abu Syekh Al Zacky e) Umangis Mike **Nacionalidade:** indonésia **Passaporte n.º:** — **N.º de identificação nacional:** — **Endereço:** Indonésia **Data de inserção na lista:** 19/7/2011 (alterada em 23/2/2012) **Outras informações:** Membro veterano do Jemaah Islamiyah (QE.J.92.02.) envolvido no planeamento e financiamento de múltiplos ataques terroristas nas Filipinas e na Indonésia. Prestou formação ao Grupo Abu Sayyaf (QE.A.1.01.). Sob custódia na Indonésia em Fevereiro de 2012.

**QI.Q.271.09. Nome:** 1: ARIF 2: QASMANI 3: — 4: —

**Título:** — **Cargo:** — **Data de nascimento:** aproximadamente 1944 **Local de nascimento:** Paquistão **Também conhecido por, suficiente para identificação:** a) Muhammad Arif Qasmani b) Muhammad ‘Arif Qasmani c) Mohammad Arif Qasmani d) Arif Umer e) Qasmani Baba f) Memon Baba g) Baba Ji **Insuficiente para identificação:** — **Nacionalidade:** paquistanesa **Passaporte n.º:** — **N.º de identificação nacional:** — **Endereço:** House Number 136, KDA Scheme No. 1, Tipu Sultan Road, Carachi, Paquistão **Data de inserção na lista:** 29/6/2009 **Outras informações:** Associado a Lashkar-e-Tayyiba (QE.L.118.05.) e à Al-Qaida (QE.A.4.01.). Detido em Junho de 2009.

**QI.Q.297.11. Nome:** 1: HASSAN 2: MUHAMMAD 3: ABU BAKR 4: QAYED

**Nome (grafia original):** [*vide* versão original em língua inglesa]

**Título:** — **Cargo:** — **Data de nascimento:** a) 1963 b) 1969 **Local de nascimento:** Marzaq, Jamahiriya Árabe Líbia **Também conhecido por, suficiente para identificação:** a) Hasan Muhammad Abu Bakr Qa’id b) [texto em árabe] (Al-Husain Muhammad Abu Bakr Qayid) c) Muhammad Hassan Qayed d) Mohammad Hassan Abu Bakar e) Hasan Qa’id f) Muhammad Hasan al-Libi **Insuficiente para identificação:** a) Abu Yahya al-Libi [texto em árabe] (conhecido principalmente pelo seu nome de guerra) b) Abu Yahya c) Xeque Yahya d) Abu Yahya Yunis al-Sahrawi e) Abu Yunus Rashid f) al-Rashid g) Abu al-Widdan h) [texto em árabe] (Younes Al-Sahrawi; Younes Al-Sahraoui) **Nacionalidade:** líbia **Passaporte n.º:** passaporte líbio n.º 681819/88 **N.º de identificação nacional:** identificação nacional líbia n.º 5617/87 **Endereço:** Wadi ‘Ataba, Líbia, (localização anterior em 2004) **Data de inserção na lista:** 15/9/2011 **Outras informações:** Dirigente superior da Al-Qaida (QE.A.4.01.) que, desde finais de 2010, tem sido responsável pela supervisão de outros oficiais superiores da Al-Qaida. Desde 2010, é comandante da Al-Qaida no Paquistão e prestou apoio financeiro aos combatentes da Al-Qaida no Afeganistão. É um estratega de topo da Al-Qaida e comandante de campo no Afeganistão, e instrutor nos campos de treino da Al-Qaida. Filiação materna: Al-Zahra Amr Al-Khouri (também conhecido por: al Zahra’ ‘Umar).

**QI.R.303.12. Nome:** 1: FAZAL 2: RAHIM 3: — 4: —

**Nome (grafia original):** [*vide* versão original em língua inglesa]

**Título:** — **Cargo:** — **Data de nascimento:** a) 5/1/1974 b) 1977 c) 1975 d) 24/1/1973 **Local de nascimento:** Cabul, Afeganistão **Também conhecido por, suficiente para identificação:** a) Fazel Rahim; Fazil Rahim b) Fazil Rahman **Insuficiente para identificação:** — **Nacionalidade:** afegã **Passaporte n.º:** passaporte afegão n.º R512768 **N.º de identificação nacional:** — **Endereço:** a) zona da fronteira Afeganistão/Paquistão (localização anterior) b) A2, City Computer Plaza, Shar-e-Now, Cabul, Afeganistão (endereço anterior) c) Microrayan 3rd, Apt. 45, block 21, Cabul, Afeganistão (endereço anterior) **Data de inserção na lista:** 6/3/2012 **Outras informações:** Prestou apoio financeiro ao Movimento Islâmico do Usbequistão (QE.I.10.01.) e à Al-Qaida (QE.A.4.01.). Esteve associado a Tohir Abdulkhalilovich Yuldashev. Encontra-se, desde finais de 2010, Sob custódia das autoridades paquistanesas. Filiação paterna: Fazal Ahmad.

**QI.R.103.03. Nome:** 1: AHMED 2: HOSNI 3: RARRBO 4: —

**Nome (grafia original):** [*vide* versão original em língua inglesa]

**Título:** — **Cargo:** — **Data de nascimento:** 12/9/1974 **Local de nascimento:** Bologhine, Argélia **Também conhecido por, suficiente para identificação:** a) Rarrbo Abdallah b) Rarrbo Abdullah c) Rarrbo Ahmed Hosni, nascido em 12/9/1974, em França **Insuficiente para identificação:** — **Nacionalidade:** argelina **Passaporte n.º:** — **N.º de identificação nacional:** — **Endereço:** Argélia **Data de inserção na lista:** 25/6/2003 (alterada em 17/10/2007, 7/4/2008, 21/10/2010) **Outras informações:** Revisão nos termos da Resolução n.º 1822 (2008) do Conselho de Segurança concluída em 15/6/2010.

**QI.A.199.05. Nome:** 1: ATA 2: ABDOULAZIZ 3: RASHID 4: —

**Nome (grafia original):** [*vide* versão original em língua inglesa]

**Título:** — **Cargo:** — **Data de nascimento:** 1/12/1973 **Local de nascimento:** Sulaimaniya, Iraque **Também conhecido por, suficiente para identificação:** a) Abdoulaziz Ata Rashid, nascido em 1/12/1973 b) Ata Abdoul Aziz Barzingy **Insuficiente para identificação:** — **Nacionalidade:** iraquiana **Passaporte n.º:** nenhum **N.º de identificação nacional:** — **Endereço:** Preso na Alemanha **Data**



**de inserção na lista:** 6/12/2005 (alterada em 21/10/2008, 13/12/2011, 6/8/2013)

**Outras informações:** Membro do Ansar Al-Islam (QE.A.98.03). Condenado em 15/7/2008, na Alemanha, a uma pena de 10 anos de prisão. Revisão nos termos da Resolução n.º 1822 (2008) do Conselho de Segurança concluída em 30/7/2009.

**QI.R.75.02. Nome:** 1: ABDELHALIM 2: HAFED 3: ABDELFATTAH 4: REMADNA

**Nome (grafia original):** [vide versão original em língua inglesa]

**Título:** — **Cargo:** — **Data de nascimento:** 2/4/1966 **Local de nascimento:** Biskra, Argélia **Também conhecido por, suficiente para identificação:** Abdelhalim Remadna **Insuficiente para identificação:** Jalloul **Nacionalidade:** argelina **Passaporte n.º:** — **N.º de identificação nacional:** — **Endereço:** Argélia **Data de inserção na lista:** 3/9/2002 (alterada em 12/4/2006, 7/4/2008, 3/6/2009, 25/1/2010, 23/12/2010) **Outras informações:** Expulso de Itália para a Argélia em 12/8/2006. Revisão nos termos da Resolução n.º 1822 (2008) do Conselho de Segurança concluída em 8/12/2009.

**QI.R.219.06. Nome:** 1: TAUFIK 2: RIFKI 3: — 4: —

**Título:** — **Cargo:** — **Data de nascimento:** 19/8/1974 **Local de nascimento:** Dacusuman Surakarta, Java Central, Indonésia **Também conhecido por, suficiente para identificação:** a) Refke, Taufek b) Rifqi, Taufik c) Rifqi, Tawfiq d) Ami Iraque e) Ami Irza f) Amy Erja g) Ammy Erza h) Ammy Izza i) Ami Kusoman j) Abu Obaida k) Abu Obaidah l) Abu Obeida m) Abu Ubaidah n) Obaidah o) Abu Obayda p) Izza Kusoman q) Yacub, Eric **Insuficiente para identificação:** — **Nacionalidade:** indonésia **Passaporte n.º:** — **N.º de identificação nacional:** — **Endereço:** Filipinas **Data de inserção na lista:** 21/4/2006 (alterada em 13/12/2011) **Outras informações:** Detido nas Filipinas em Maio de 2011. Revisão nos termos da Resolução n.º 1822 (2008) do Conselho de Segurança concluída em 8/6/2010.

**QI.R.150.03. Nome:** 1: AL-AZHAR 2: BEN KHALIFA 3: BEN AHMED 4: ROUINE

**Nome (grafia original):** [vide versão original em língua inglesa]

**Título: — Cargo: — Data de nascimento:** 20/11/1975 **Local de nascimento:** Sfax, Tunísia **Também conhecido por, suficiente para identificação: — Insuficiente para identificação:** a) Salmane b) Lazhar **Nacionalidade:** tunisina **Passaporte n.º:** passaporte tunisino n.º P182583, emitido em 13/9/2003, caducado em 12/9/2007 **N.º de identificação nacional: — Endereço:** Tunísia **Data de inserção na lista:** 12/11/2003 (alterada em 20/12/2005, 21/12/2007, 30/1/2009, 16/5/2011) **Outras informações:** Condenado a uma pena de seis anos e dez meses de prisão por pertencer a uma associação terrorista, pelo Tribunal de Recurso de Milão, Itália, em 7/2/2008. Dado como fugitivo pelas autoridades italianas em Julho de 2008. Sujeito a medidas administrativas de controlo na Tunísia em 2010. Revisão nos termos da Resolução n.º 1822 (2008) do Conselho de Segurança concluída em 21/6/2010.

**QI.R.186.05. Nome:** 1: ABU 2: RUSDAN 3: — 4: —

**Título: — Cargo: — Data de nascimento:** 16/8/1960 **Local de nascimento:** Kudus, Java Central, Indonésia **Também conhecido por, suficiente para identificação:** a) Abu Thoriq b) Rusdjan c) Rusjan d) Rusydan e) Thoriquddin f) Thoriquiddin g) Thoriquidin h) Toriquuddin **Insuficiente para identificação: — Nacionalidade: — Passaporte n.º: — N.º de identificação nacional: — Endereço: — Data de inserção na lista:** 16/5/2005 **Outras informações:** Revisão nos termos da Resolução n.º 1822 (2008) do Conselho de Segurança concluída em 8/6/2010.

**QI.A.2.01. Nome:** 1: AMIN 2: MUHAMMAD 3: UL HAQ 4: SAAM KHAN

**Título: — Cargo: — Data de nascimento:** 1960 **Local de nascimento:** província de Nangarhar, Afeganistão **Também conhecido por, suficiente para identificação:** a) Al-Haq, Amin b) Amin, Muhammad **Insuficiente para identificação:** a) Dr. Amin b) Ul-Haq, Dr. Amin **Nacionalidade:** afegã **Passaporte n.º: — N.º de identificação nacional: — Endereço: — Data de inserção na lista:** 25/1/2001 (alterada em 18/7/2007, 16/12/2010) **Outras informações:** Coordenador da segurança de Usama bin Laden (QI.B.8.01). Repatriado para o Afeganistão em Fevereiro de 2006. Revisão nos termos da Resolução n.º 1822 (2008) do Conselho de Segurança concluída em 15/6/2010.

**QI.A.20.01. Nome:** 1: MOHAMMAD 2: HAMDI 3: MOHAMMAD 4: SADIQ AL-AHDAL

**Nome (grafia original):** [vide versão original em língua inglesa]

**Título: — Cargo: — Data de nascimento:** 19/11/1971 **Local de nascimento:** Medina, Arábia Saudita **Também conhecido por, suficiente para identificação:** a) Al-Hamati, Muhammad b) Muhammad Muhammad Abdullah Al-Ahdal c) Mohamed Mohamed Abdullah Al-Ahdal **Insuficiente para identificação:** a) Abu Asim Al-Makki b) Ahmed **Nacionalidade:** iemenita **Passaporte n.º:** passaporte iemenita n.º 541939 emitido em Al-Hudaydah, Iémen, em 31/7/2000 em nome de Muhammad Muhammad Abdullah Al-Ahdal **N.º de identificação nacional:** bilhete de identidade iemenita n.º 216040 **Endereço:** Jamal street, Al-Dahima alley, Al-Hudaydah, Iémen **Data de inserção na lista:** 17/10/2001 (alterada em 30/1/2009, 25/1/2010) **Outras informações:** Responsável pelas finanças da Al-Qaida (QE.A.4.01) no Iémen. Acusado de envolvimento no ataque no “USS Cole” em 2000. Preso no Iémen em Novembro de 2003. Condenado a uma pena de três anos e um mês de prisão pelo Tribunal Penal Especializado de Primeira Instância, no Iémen. Libertado de prisão em 25/12/2006 após o cumprimento da pena. Revisão nos termos da Resolução do Conselho de Segurança n.º 1822 (2008) concluída em 8/7/2010.

**QI.S.263.08. Nome:** 1: HAFIZ 2: MUHAMMAD 3: SAEED 4: —

**Título: — Cargo: — Data de nascimento:** 5/6/1950 **Local de nascimento:** Sargodha, Punjab, Paquistão **Também conhecido por, suficiente para identificação:** a) Hafiz Mohammad Sahib b) Hafiz Mohammad Sayid c) Hafiz Muhammad d) Hafiz Saeed e) Hafez Mohammad Saeed f) Hafiz Mohammad Sayeed g) Tata Mohammad Syeed h) Mohammad Sayed i) Muhammad Saeed **Insuficiente para identificação:** Hafiz Ji **Nacionalidade:** paquistanesa **Passaporte n.º:** — **N.º de identificação nacional:** identificação nacional paquistanesa n.º 3520025509842-7 **Endereço:** Casa n.º 116E, Mohalla Johar, Lahore, Tehsil, cidade de Lahore, distrito de Lahore, Paquistão, (localização em Maio de 2008) **Data de inserção na lista:** 10/12/2008 (alterada em 17/7/2009) **Outras informações:** Muhammad Saeed é o líder da Lashkar-e-Tayyiba (QE.L.118.05.).

**QLS.208.05. Nome:** 1: RADULAN 2: SAHIRON 3: — 4: —

**Título:** — **Cargo:** — **Data de nascimento:** a) 1955 b) aproximadamente 1952  
**Local de nascimento:** Kaunayan, Patikul, Ilha de Jolo, Filipinas **Também conhecido por, suficiente para identificação:** a) Radullan Sahiron b) Radulan Sahirun c) Radulan Sajirun d) Comandante Putol **Insuficiente para identificação:** — **Nacionalidade:** filipina **Passaporte n.º:** — **N.º de identificação nacional:** — **Endereço:** — **Data de inserção na lista:** 6/12/2005  
**Outras informações:** Revisão nos termos da Resolução n.º 1822 (2008) do Conselho de Segurança concluída em 8/6/2010.

**QLS.222.06. Nome:** 1: NESSIM 2: BEN ROMDHANE 3: SAHRAOUI 4: —

**Nome (grafia original):** [*vide* versão original em língua inglesa]

**Título:** — **Cargo:** — **Data de nascimento:** 3/8/1973 **Local de nascimento:** Bizerta, Tunísia **Também conhecido por, suficiente para identificação:** a) Dass b) Nasim al-Sahrawi **Insuficiente para identificação:** — **Nacionalidade:** tunisina **Passaporte n.º:** — **N.º de identificação nacional:** — **Endereço:** Tunísia **Data de inserção na lista:** 2/8/2006 (alterada em 1/9/2009, 25/1/2010, 13/12/2011)  
**Outras informações:** Dado como fugitivo pelas autoridades italianas e condenado à revelia a uma pena de 6 anos de prisão em 20/11/2008. Condenado na Tunísia a uma pena de 4 anos de prisão por actividade terrorista e detido na Tunísia em Junho de 2009. Revisão nos termos da Resolução n.º 1822 (2008) do Conselho de Segurança concluída em 20/7/2009.

**QLS.148.03. Nome:** 1: NESSIM 2: BEN MOHAMED 3: AL-CHERIF BEN MOHAMED 4: SALEH AL-SAADI

**Nome (grafia original):** [*vide* versão original em língua inglesa]

**Título:** — **Cargo:** — **Data de nascimento:** 30/11/1974 **Local de nascimento:** Haidra Al-Qasreen, Tunísia **Também conhecido por, suficiente para identificação:** a) Nassim Saadi b) Dia el Haak George, nascido em 20/11/1974 no Líbano c) Dialect Haak George, nascido em 30/11/1974, no Líbano d) El Dia Haak George, nascido em 30/11/1974, na Argélia **Insuficiente para identificação:** a) Abou Anis b) Abu Anis **Nacionalidade:** tunisina **Passaporte n.º:** passaporte tunisino n.º M788331, emitido em 28/9/2001, caducado em 27/9/2006 **N.º de identificação nacional:** — **Endereço:** a) Via Monte Grappa 15, Arluno (Milão), Itália b) Via Cefalonia 11,

Milão, Itália (domicílio, último endereço conhecido) **Data de inserção na lista:** 12/11/2003 (alterada em 20/12/2005, 31/7/2006, 21/12/2007, 3/6/2009, 16/5/2011) **Outras informações:** Preso em 9/10/2002. Detido em Itália até 27/4/2012. Condenado à revelia a uma pena de 20 anos de prisão pelo Tribunal Militar de Tunes, em 11/5/2005, por pertencer a uma organização terrorista. Filiação paterna: Mohamed Sharif. Filiação materna: Fatima. Revisão nos termos da Resolução n.º 1822 (2008) do Conselho de Segurança concluída em 21/6/2010.

**QI.S.244.08. Nome:** 1: HILARION 2: DEL ROSARIO 3: SANTOS III 4: —

**Título:** Amir **Cargo:** — **Data de nascimento:** 12/3/1966 **Local de nascimento:** 686 A. Mabini Street, Sangandaan, cidade de Caloocan, Filipinas **Também conhecido por, suficiente para identificação:** a) Akmad Santos b) Ahmed Islam c) Ahmad Islam Santos d) Abu Hamsa e) Hilarion Santos III f) Abu Abdullah Santos g) Faisal Santos **Insuficiente para identificação:** a) Lakay b) Aki c) Aqi **Nacionalidade:** filipina **Passaporte n.º:** passaporte filipino n.º AA780554 **N.º de identificação nacional:** — **Endereço:** 50, Purdue Street, Cubao, cidade de Quezon, Filipinas **Data de inserção na lista:** 4/6/2008 (alterada em 13/12/2011) **Outras informações:** Fundador e líder do Movimento Rajah Solaiman (QE.R.128.08.) e com ligações ao Grupo Abu Sayyaf (QE.A.1.01.). Detido nas Filipinas desde Maio de 2011. Revisão nos termos da Resolução n.º 1822 (2008) do Conselho de Segurança concluída em 13/5/2010.

**QI.S.1.01. Nome:** 1: SAYF-AL ADL 2: — 3: — 4: —

**Nome (grafia original):** [vide versão original em língua inglesa]

**Título:** — **Cargo:** — **Data de nascimento:** a) 1963 b) 11/4/1963 c) 11/4/1960 **Local de nascimento:** Egipto **Também conhecido por, suficiente para identificação:** a) Saif Al-‘Adil b) Seif al Adel c) Muhamad Ibrahim Makkawi **Insuficiente para identificação:** Ibrahim al-Madani **Nacionalidade:** egípcia **Passaporte n.º:** — **N.º de identificação nacional:** — **Endereço:** — **Data de inserção na lista:** 25/1/2001 (alterada em 16/12/2010, 24/7/2013) **Outras informações:** Responsável pela segurança de Usama bin Laden (QI.B.8.01). Revisão nos termos da Resolução n.º 1822 (2008) do Conselho de Segurança concluída em 15/6/2010.

**QI.S.260.08. Nome:** 1: DANIEL 2: MARTIN 3: SCHNEIDER 4: —

**Título:** — **Cargo:** — **Data de nascimento:** 9/9/1985 **Local de nascimento:** Neunkirchen (Saar), Alemanha **Também conhecido por, suficiente para identificação:** — **Insuficiente para identificação:** Abdullah **Nacionalidade:** alemã **Passaporte n.º:** passaporte alemão n.º 2318047793 emitido em Friedrichsthal, Alemanha, em 17/5/2006, caducado em 16/5/2011 **N.º de identificação nacional:** bilhete de identidade federal alemão n.º 2318229333 emitido em Friedrichsthal, Alemanha, em 17/5/2006, caducado em 16/5/2011 (dado como perdido). **Endereço: a)** preso na Alemanha (desde Setembro de 2007). **b)** Petrusstrasse 32, 66125 Herrensohr, Dudweiler, Saarbrücken, Alemanha (endereço anterior) **Data de inserção na lista:** 27/10/2008 (alterada em 13/12/2011) **Outras informações:** Associado à União Jihad Islâmica (IJU), também conhecido por Grupo Jihad Islâmico (QE.I.119.05.). Associado a Fritz Martin Gelowicz (QI.G.259.08.) e a Adem Yilmaz (QI.Y.261.08.). Detido na Alemanha desde Junho de 2010.

**QI.S.128.03. Nome:** 1: ISMAIL 2: ABDALLAH 3: SBAITAN 4: SHALABI

**Nome (grafia original):** [*vide* versão original em língua inglesa]

**Título:** — **Cargo:** — **Data de nascimento:** 30/4/1973 **Local de nascimento:** Beckum, Alemanha **Também conhecido por, suficiente para identificação: a)** Ismain Shalabe, nascido em 30/4/1973, em Beckum **b)** Ismail Abdallah Sbaitan Shalabi, nascido em 30/4/1973, em Beckum **Insuficiente para identificação:** — **Nacionalidade:** jordana de origem palestina **Passaporte n.º: a)** passaporte do Reino Hachemita da Jordânia n.º E778675, emitido em Rusaifah em 23/6/1996, válido até 23/6/2001 **b)** passaporte do Reino Hachemita da Jordânia n.º H401056, JOR 9731050433, emitido em 11/4/2001, válido até 10/4/2006 **N.º de identificação nacional:** — **Endereço:** Alemanha **Data de inserção na lista:** 23/9/2003 (alterada em 10/6/2011) **Outras informações:** Filiação paterna: Abdullah Shalabi. Filiação materna: Ammni Shalabi. Associado a Djamel Moustfa (QI.M.129.03.), a Mohamed Abu Dhess (QI.A.130.03.) e a Aschraf al-Dagma (QI.A.132.03.). Revisão nos termos da Resolução n.º 1822 (2008) do Conselho de Segurança concluída em 21/6/2010.

**QI.S.322.14 Nome:** 1: ABUBAKAR 2: MOHAMMED 3: SHEKAU 4: —

**Nome (grafia original):** [*vide* versão original em língua inglesa]

**Título:** Imam **Cargo:** — **Data de nascimento:** 1969 **Local de nascimento:** aldeia de Shekau, estado de Yobe, Nigéria **Também conhecido por, suficiente para identificação:** Abubakar Shekau **Insuficiente para identificação:** a) Abu Mohammed Abubakar bin Mohammed b) Abu Muhammed Abubakar bi Mohammed c) Shekau d) Shehu e) Shayku f) Imam Darul Tauhid g) Imam Darul Tawheed **Nacionalidade:** nigeriana **Passaporte n.º:** — **N.º de identificação nacional:** — **Endereço:** Nigéria **Data de inserção na lista:** 26/6/2014 **Outras informações:** Membro da tribo Kanuri. Descrição física: cor de olhos: preta; cor de cabelo: preta. Fotografia disponível para inclusão no INTERPOL-ONU Alerta Especial do Conselho de Segurança. Líder do Jama'atu Ahlis Sunna Lidda'Awati Wal-Jihad (Boko Haram) (QE.B.138.14). Sob a liderança de Shekau, o Boko Haram tem sido responsável por uma série de grandes ataques terroristas.

**QI.A.17.01. Nome:** 1: THARWAT 2: SALAH 3: SHIHATA 4: —

**Nome (grafia original):** [vide versão original em língua inglesa]

**Título:** — **Cargo:** — **Data de nascimento:** 29/6/1960 **Local de nascimento:** Egipto **Também conhecido por, suficiente para identificação:** a) Tarwat Salah Abdallah b) Salah Shihata Thirwat c) Shahata Thirwat d) Tharwat Salah Shihata Ali (como inserido anteriormente na lista) **Insuficiente para identificação:** — **Nacionalidade:** egípcia **Passaporte n.º:** — **N.º de identificação nacional:** — **Endereço:** — **Data de inserção na lista:** 6/10/2001 (alterada em 26/11/2004, 16/12/2010) **Outras informações:** Revisão nos termos da Resolução n.º 1822 (2008) do Conselho de Segurança concluída em 15/6/2010.

**QI.S.122.03. Nome:** 1: PARLINDUNGAN 2: SIREGAR 3: — 4: —

**Título:** — **Cargo:** — **Data de nascimento:** a) 25/4/1957 b) 25/4/1967 **Local de nascimento:** Indonésia **Também conhecido por, suficiente para identificação:** a) Siregar, Parlin b) Siregar, Saleh Parlindungan **Insuficiente para identificação:** — **Nacionalidade:** indonésia **Passaporte n.º:** — **N.º de identificação nacional:** — **Endereço:** — **Data de inserção na lista:** 9/9/2003 **Outras informações:** Revisão nos termos da Resolução n.º 1822 (2008) do Conselho de Segurança concluída em 25/5/2010.

**QI.S.124.03. Nome:** 1: YAZID 2: SUFAAT 3: — 4: —

**Título:** — **Cargo:** — **Data de nascimento:** 20/1/1964 **Local de nascimento:** Johor, Malásia **Também conhecido por, suficiente para identificação:** — **Insuficiente para identificação:** a) Joe b) Abu Zufar **Nacionalidade:** malaia **Passaporte n.º:** A 10472263 **N.º de identificação nacional:** 640120-01-5529 **Endereço:** Taman Bukit Ampang, estado de Selangor, Malásia (em Abril de 2009) **Data de inserção na lista:** 9/9/2003 (alterada em 3/5/2004, 1/2/2008, 10/8/2009, 25/1/2010, 16/5/2011) **Outras informações:** Revisão nos termos da Resolução n.º 1822 (2008) do Conselho de Segurança concluída em 19/6/2009.

**QI.S.123.03. Nome:** 1: YASSIN 2: SYWAL 3: — 4: —

**Título:** — **Cargo:** — **Data de nascimento:** aproximadamente 1972 **Local de nascimento:** — **Também conhecido por, suficiente para identificação:** a) Salim Yasin b) Mochtar Yasin Mahmud c) Abdul Hadi Yasin d) Muhamad Mubarok e) Muhammad Syawal **Insuficiente para identificação:** a) Abu Seta b) Mahmud c) Abu Muamar **Nacionalidade:** indonésia **Passaporte n.º:** — **N.º de identificação nacional:** — **Endereço:** — **Data de inserção na lista:** 9/9/2003 **Outras informações:** Revisão nos termos da Resolução n.º 1822 (2008) do Conselho de Segurança concluída em 25/5/2010.

**QI.T.57.02. Nome:** 1: IBRAHIM 2: ALI 3: ABU BAKR 4: TANTOUSH

**Nome (grafia original):** [*vide* versão original em língua inglesa]

**Título:** — **Cargo:** — **Data de nascimento:** 1966 **Local de nascimento:** al Aziziyya, Jamahiriya Árabe Líbia **Também conhecido por, suficiente para identificação:** a) Abd al-Muhsin b) Ibrahim Ali Muhammad Abu Bakr c) Abdul Rahman d) Abu Anas e) Ibrahim Abubaker Tantouche f) Ibrahim Abubaker Tantoush g) ‘Abd al-Muhsi h) ‘Abd al-Rahman **Insuficiente para identificação:** Al-Libi **Nacionalidade:** líbia **Passaporte n.º:** passaporte líbio n.º 203037, emitido em Trípoli **N.º de identificação nacional:** — **Endereço:** Joanesburgo, África do Sul **Data de inserção na lista:** 11/1/2002 (alterada em 31/7/2006, 4/10/2006, 16/5/2011) **Outras informações:** Associado ao Comité de Apoio Afegão (ASC) (QE.A.69.02.), à Sociedade da Restauração do Património Islâmico (RIHS)(QE.R.70.02.) e ao Grupo Islâmico Combatente Líbio (LIFG) (QE.L.11.01.).



Revisão nos termos da Resolução n.º 1822 (2008) do Conselho de Segurança concluída em 8/6/2010.

**QI.T.241.08. Nome:** 1: ANGELO 2: RAMIREZ 3: TRINIDAD 4: —

**Título:** — **Cargo:** — **Data de nascimento:** 20/3/1978 **Local de nascimento:** Gattaran, província de Cagayan, Filipinas **Também conhecido por, suficiente para identificação:** a) Calib Trinidad b) Kalib Trinidad **Insuficiente para identificação:** a) Abdul Khalil b) Abdukahlil c) Abu Khalil d) Anis **Nacionalidade:** filipina **Passaporte n.º:** — **N.º de identificação nacional:** — **Endereço:** 3111 Ma. Bautista, Punta, Santa Ana, Manila, Filipinas **Data de inserção na lista:** 4/6/2008 (alterada em 13/12/2011) **Outras informações:** As marcas distintivas incluem cicatrizes em ambas as pernas. Membro do Movimento Rajah Solaiman (QE.R.128.08.), e associado ao Grupo Abu Sayyaf (QE.A.1.01.) e ao Jemaah Islamiyah (QE.J.92.02.). Detido nas Filipinas desde Maio de 2011. Revisão nos termos da Resolução n.º 1822 (2008) do Conselho de Segurança concluída em 13/5/2010.

**QI.T.56.01. Nome:** 1: MOHAMMED 2: TUFAIL 3: — 4: —

**Título:** — **Cargo:** — **Data de nascimento:** 5/5/1930 **Local de nascimento:** — **Também conhecido por, suficiente para identificação:** a) Tufail, S.M. b) Tuffail, Xequé Mohammed **Insuficiente para identificação:** — **Nacionalidade:** paquistanesa **Passaporte n.º:** — **N.º de identificação nacional:** — **Endereço:** — **Data de inserção na lista:** 24/12/2001 (alterada em 19/1/2011) **Outras informações:** Foi um dos directores do Ummah Tameer e-Nau (UTN) (QE.U.68.01). Revisão nos termos da Resolução n.º 1822 (2008) do Conselho de Segurança concluída em 1/6/2010.

**QI.U.290.11. Nome:** 1: DOKU 2: KHAMATOVICH 3: UMAROV 4: —

**Nome (grafia original):** [vide versão original em língua inglesa]

**Título:** — **Cargo:** — **Data de nascimento:** 12/5/1964 **Local de nascimento:** aldeia de Kharsenoy, distrito de Shatoyskiy (Sovetskiy), Chechenskaya Respublika, Federação da Rússia **Também conhecido por, suficiente para identificação:** — **Insuficiente para identificação:** — **Nacionalidade:** a) russa b) da URSS (até 1991)

**Passaporte n.º:** — **N.º de identificação nacional:** — **Endereço:** — **Data de inserção na lista:** 10/3/2011 (alterada em 2/6/2014) **Outras informações:** Residia na Federação da Rússia em Novembro de 2010. Mandado de captura internacional emitido em 2000. Alegadamente falecido em Abril de 2014.

**QI.M.31.01. Nome:** 1: OMAR 2: MAHMOUD 3: UTHMAN 4: —

**Nome (grafia original):** [*vide* versão original em língua inglesa]

**Título:** — **Cargo:** — **Data de nascimento:** a) 30/12/1960 b) 13/12/1960 **Local de nascimento:** Belém, Cisjordânia, Territórios Palestínianos **Também conhecido por, suficiente para identificação:** a) Al-Samman Uthman b) Umar Uthman c) Omar Mohammed Othman **Insuficiente para identificação:** a) Abu Qatada Al-Filistini b) Abu Umr Takfiri c) Abu Omar Abu Umar d) Abu Umar Umar e) Abu Ismail **Nacionalidade:** jordana **Passaporte n.º:** — **N.º de identificação nacional:** — **Endereço:** Jordânia (desde Julho de 2013) **Data de inserção na lista:** 17/10/2001 (alterada em 14/3/2008, 24/3/2009, 25/1/2010, 22/7/2013) **Outras informações:** Associado a grupos associados à Al-Qaida no Reino Unido e noutros países. Condenado à revelia na Jordânia por envolvimento em actos terroristas em 1998. Preso em Fevereiro de 2001, no Reino Unido, foi detido posteriormente entre Outubro de 2002 e Março de 2005 e entre Agosto de 2005 e Junho de 2008. Sob custódia desde Dezembro de 2008. Expulso do Reino Unido para a Jordânia em 7/7/2013 sob acusação de terrorismo. Revisão nos termos da Resolução n.º 1822 (2008) do Conselho de Segurança concluída em 19/10/2009.

**QI.Y.37.01. Nome:** 1: ABDUL RAHMAN 2: YASIN 3: — 4: —

**Nome (grafia original):** [*vide* versão original em língua inglesa]

**Título:** — **Cargo:** — **Data de nascimento:** 10/4/1960 **Local de nascimento:** Bloomington, Indiana, Estados Unidos da América **Também conhecido por, suficiente para identificação:** a) Taha, Abdul Rahman S. b) Taher, Abdul Rahman S. c) Yasin, Abdul Rahman Said d) Yasin, Aboud **Insuficiente para identificação:** — **Nacionalidade:** norte-americana **Passaporte n.º:** 27082171 (Estados Unidos da América, emitido em 21/6/1992 em Amã, Jordânia) **N.º de identificação nacional:** SSN 156-92-9858 (Estados Unidos da América) **Endereço:** — **Data de inserção na lista:** 17/10/2001 (alterada em 10/4/2003) **Outras informações:** Abdul Rahman Yasin encontra-se no Iraque. Revisão nos

termos da Resolução n.º 1822 (2008) do Conselho de Segurança concluída em 21/6/2010.

**QI.Y.261.08. Nome:** 1: ADEM 2: YILMAZ 3: — 4: —

**Título:** — **Cargo:** — **Data de nascimento:** 4/11/1978 **Local de nascimento:** Bayburt, Turquia **Também conhecido por, suficiente para identificação:** — **Insuficiente para identificação:** Talha **Nacionalidade:** turca **Passaporte n.º:** passaporte turco n.º TR-P 614 166, emitido pelo Consulado Geral da Turquia em Frankfurt/M. em 22/3/2006, caducado em 15/9/2009. **N.º de identificação nacional:** — **Endereço:** a) Preso na Alemanha (desde Setembro de 2007). b) Südliche Ringstrasse 133, 63225 Langen, Alemanha (endereço anterior) **Data de inserção na lista:** 27/10/2008 (alterada em 13/12/2011) **Outras informações:** Associado à União Jihad Islâmica (IJU), também conhecido por Grupo Jihad Islâmico (QE.I.119.05.). Associado a Fritz Martin Gelowicz (QI.G.259.08.) e a Daniel Martin Schneider (QI.S.260.08.). Detido na Alemanha desde Junho de 2010.

**QI.M.205.05. Nome:** 1: RAFIK 2: MOHAMAD 3: YOUSEF 4: —

**Nome (grafia original):** [vide versão original em língua inglesa]

**Título:** — **Cargo:** — **Data de nascimento:** 27/8/1974 **Local de nascimento:** Bagdade, Iraque **Também conhecido por, suficiente para identificação:** Mohamad Raific Kairadin **Insuficiente para identificação:** — **Nacionalidade:** iraquiana **Passaporte n.º:** documento de viagem alemão (“Reiseausweis”) A 0092301 **N.º de identificação nacional:** — **Endereço:** preso na Alemanha **Data de inserção na lista:** 6/12/2005 (alterada em 21/10/2008, 13/12/2011) **Outras informações:** Membro do Ansar Al-Islam (QE.A.98.03). Condenado em 15/7/2008 a uma pena de 8 anos de prisão na Alemanha. Revisão nos termos da Resolução n.º 1822 (2008) do Conselho de Segurança concluída em 30/7/2009.

**QI.A.198.05. Nome:** 1: HANI 2: AL-SAYYID 3: AL-SEBAI 4: YUSIF

**Nome (grafia original):** [vide versão original em língua inglesa]

**Título:** — **Cargo:** — **Data de nascimento:** a) 1/3/1961 b) 16/6/1960 **Local de nascimento:** Qaylubiyah, Egipto **Também conhecido por, suficiente para identificação:** a) Hani Yousef Al-Sebai b) Hani Youssef c) Hany Youseff d) Hani

Yusef **e)** Hani al-Sayyid Al-Sabai **f)** Hani al-Sayyid El Sebai **g)** Hani al-Sayyid Al Siba'i **h)** Hani al-Sayyid El Sabaay **i)** El-Sababt **j)** Abu Tusnin **k)** Abu Akram **l)** Hani El Sayyed Elsebai Yusef **m)** Abu Karim **n)** Hany Elsayed Youssef  
**Insuficiente para identificação:** — **Nacionalidade:** egípcia **Passaporte n.º:** —  
**N.º de identificação nacional:** — **Endereço:** Londres, Reino Unido **Data de inserção na lista:** 29/9/2005 (alterada em 6/10/2005, 18/8/2006, 25/1/2012) **Outras informações:** Filiação paterna: Mohamed Elsayed Elsebai. Revisão nos termos da Resolução n.º 1822 (2008) do Conselho de Segurança concluída em 29/7/2010.

**QI.A.139.03. Nome:** 1: IMED 2: BEN MEKKI 3: ZARKAOUI 4: —

**Nome (grafia original):** [*vide* versão original em língua inglesa]

**Título:** — **Cargo:** — **Data de nascimento:** 15/1/1973 **Local de nascimento:** Tunes, Tunísia **Também conhecido por, suficiente para identificação:** **a)** Dour Nadre, nascido em 15/1/1974 em Marrocos **b)** Dour Nadre, nascido em 15/1/1973 em Marrocos **c)** Daour Nadre, nascido em 31/3/1975 na Argélia **d)** Imad ben al-Mekki ben al-Akhdar al-Zarkaoui (como inserido anteriormente na lista) **Insuficiente para identificação:** **a)** Zarga **b)** Nadra **Nacionalidade:** tunisina **Passaporte n.º:** passaporte tunisino n.º M174950, emitido em 27/4/1999, caducado em 26/4/2004 **N.º de identificação nacional:** — **Endereço:** 41-45, Rue Estienne d'Orves, Pré Saint Gervais, França **Data de inserção na lista:** 12/11/2003 (alterada em 20/12/2005, 31/7/2006, 10/8/2009, 16/5/2011) **Outras informações:** Filiação materna: Zina al-Zarkaoui. Preso em França desde 1/2/2010 acusado de conspiração criminosa em relação a uma organização terrorista. Revisão nos termos da Resolução n.º 1822 (2008) do Conselho de Segurança concluída em 6/5/2010.

**QI.Z.168.04. Nome:** 1: AHMAD 2: ZERFAOUI 3: — 4: —

**Nome (grafia original):** [*vide* versão original em língua inglesa]

**Título:** — **Cargo:** — **Data de nascimento:** 15/7/1963 **Local de nascimento:** Chréa, Argélia **Também conhecido por, suficiente para identificação:** **a)** Abdullah **b)** Abdalla **c)** Smail **d)** Abu Khaoula **e)** Abu Cholder **f)** Nuhr **Insuficiente para identificação:** — **Nacionalidade:** argelina **Passaporte n.º:** — **N.º de identificação nacional:** — **Endereço:** — **Data de inserção na lista:** 3/5/2004 (alterada em 12/4/2006, 7/4/2008, 13/12/2011) **Outras informações:** Antigo membro da Organização da Al-Qaida no Magrebe Islâmico (QE.T.14.01.). Morte

confirmada no norte do Mali em 19/9/2006. Revisão nos termos da Resolução n.º 1822 (2008) do Conselho de Segurança concluída em 27/7/2010.

**QI.Z.223.06. Nome:** 1: MERAI 2: ZOGHBAI 3: — 4: —

**Nome (grafia original):** [vide versão original em língua inglesa]

**Título: — Cargo: — Data de nascimento:** a) 4/4/1969 b) 4/4/1960 c) 4/6/1960

**Local de nascimento:** Bengasi, Jamahiriya Árabe Líbia **Também conhecido por,**

**suficiente para identificação:** a) Mohamed Lebachir, nascido em 14/1/1968 em

Marrocos b) Meri Albdelfattah Zgbye, nascido em 4/6/1960 em Bendasi, Jamahiriya

Árabe Líbia c) Zoghbai Merai Abdul Fattah d) Lazrag Faraj, nascido em 13/11/1960

na Jamahiriya Árabe Líbia e) Larzg Ben Ila, nascido em 11/8/1960 na Jamahiriya

Árabe Líbia f) Muhammed El Besir **Insuficiente para identificação:** a) F'raji di

Singapore b) F'raji il Libico c) Farag d) Fredj, nascido em 13/11/1960 na

Jamahiriya Árabe Líbia **Nacionalidade: — Passaporte n.º: — N.º de**

**identificação nacional: — Endereço: — Data de inserção na lista:** 2/8/2006

(alterada em 3/6/2009, 1/9/2009, 13/12/2011) **Outras informações:** Dado como

fugitivo pelas autoridades italianas e condenado à revelia a uma pena de 6 anos de

prisão em 20/11/2008. Membro do Grupo Islâmico Combatente Líbio (QE.L.11.01).

Revisão nos termos da Resolução n.º 1822 (2008) do Conselho de Segurança

concluída em 20/7/2009.

**QI.Z.187.05. Nome:** 1: ZULKARNAEN 2: — 3: — 4: —

**Título: — Cargo: — Data de nascimento:** 1963 **Local de nascimento:** aldeia de

Gebang, Masaran, Sragen, Java Central, Indonésia **Também conhecido por,**

**suficiente para identificação:** a) Zulkarnan b) Zulkarnain c) Zulkarnin d) Arif

Sunarso e) Aris Sumarsono f) Aris Sunarso g) Ustad Daud Zulkarnaen h) Murshid

**Insuficiente para identificação: — Nacionalidade:** indonésia **Passaporte n.º: —**

**N.º de identificação nacional: — Endereço: — Data de inserção na lista:**

16/5/2005 **Outras informações:** Revisão nos termos da Resolução n.º 1822 (2008)

do Conselho de Segurança concluída em 8/6/2010.

**B. Entidades e outros grupos e empresas associados à Al-Qaida**

**QE.A.1.01. Nome:** ABU SAYYAF GROUP [Grupo Abu Sayyaf]

**Também conhecido por:** Al Harakat Al Islamiyya **Anteriormente conhecido por:** — **Endereço:** Filipinas **Data de inserção na lista:** 6/10/2001 (alterada em 13/12/2011) **Outras informações:** Associado ao Jemaah Islamiyah (JI) (QE.J.92.02). O seu actual líder é Radulan Sahiron (QI.S.208.05). Revisão nos termos da Resolução n.º 1822 (2008) do Conselho de Segurança concluída em 21/6/2010.

**QE.A.69.02. Nome:** AFGHAN SUPPORT COMMITTEE (ASC) [Comité de Apoio Afegão]

**Também conhecido por:** a) Lajnat ul Masa Eidatul Afghania b) Jamiat Ayat-ur-Rhas al Islamiac c) Jamiat Ihya ul Turath al Islamia d) Ahya ul Turas **Anteriormente conhecido por:** — **Endereço:** a) Sede – G.T. Road (provavelmente Grand Trunk Road), perto de Pushtoon Garhi Pabbi, Peshawar, Paquistão b) Cheprahar Hadda, Escola Mia Omar Sabaqah, Jalabad, Afeganistão **Data de inserção na lista:** 11/1/2002 (alterada em 13/12/2011) **Outras informações:** Membro da Sociedade da Restauração do Património Islâmico (QE.R.70.02). Abu Bakr al-Jaziri (QI.A.58.02) foi director financeiro da ASC. Revisão nos termos da Resolução n.º 1822 (2008) do Conselho de Segurança concluída em 8/6/2010.

**QE.A.121.05. Nome:** AL-AKHTAR TRUST INTERNATIONAL [Crédito Internacional Al-Akhtar]

**Também conhecido por:** a) Al Akhtar Trust b) Al-Akhtar Medical Centre [Centro Médico Al-Akhtar] c) Akhtarabad Medical Camp [Acampamento médico Akhtarabad] d) Pakistan Relief Foundation [Fundação de Assistência do Paquistão] e) Pakistani Relief Foundation [Fundação de Assistência Paquistanesa] f) Azmat-e-Pakistan Trust g) Azmat Pakistan Trust **Anteriormente conhecido por:** — **Endereço:** a) ST-1/A, Gulsahn-e-Iqbal, Block 2, Carachi, 25300, Paquistão b) Gulistan-e-Jauhar, Block 12, Carachi, Paquistão **Data de inserção na lista:** 17/8/2005 (alterada em 10/12/2008, 13/12/2011) **Outras informações:** Escritórios regionais no Paquistão: Bahawalpur, Bawalnagar, Gilgit, Islamabade, Mirpur Khas, Tando-Jan-Muhammad. O acampamento médico Akhtarabad está situado em Spin Boldak, no Afeganistão. Registado por membros do Jaish-i-Mohammed (QE.J.19.01). Associado ao Harakat ul-Mujahidin/ HUM (QE.H.8.01), ao Lashkar I Jhanghvi (LJ) (QE.L.96.03) e ao

Lashkar-e-Tayyiba (QE.L.118.05). Interdito no Paquistão. Revisão nos termos da Resolução n.º 1822 (2008) do Conselho de Segurança concluída em 14/9/2009.

**QE.A.107.04. Nome:** AL FURQAN

**Também conhecido por:** **a)** Dzemilijati Furkan **b)** Dzem'ijjetul Furqan **c)** Association for Citizens Rights and Resistance to Lies [Associação para os Direitos dos Cidadãos e Resistência à Mentira] **d)** Dzemijetul Furkan **e)** Association of Citizens for the Support of Truth and Supression of Lies [Associação dos Cidadãos para o Apoio da Verdade e Supressão da Mentira] **f)** Sirat **g)** Association for Education, Culture and Building Society-Sirat [Associação para a Educação, Cultura e Construção da Sociedade-Sirat] **h)** Association for Education, Cultural, and to Create Society -Sirat [Associação para a Educação, Cultura, e Criação da Sociedade – Sirat] **i)** Istikamet **j)** In Siratel **k)** Citizens' Association for Support and Prevention of lies – Furqan [Associação de Cidadãos para o Apoio e Prevenção da Mentira – Furqan]

**Anteriormente conhecido por:** — **Endereço:** **a)** 30a Put Mladih Muslimana (ex Pavla Lukaca Street), 71 000 Saraievo, Bósnia-Herzegovina **b)** 72 ul. Strossmajerova, Zenica, Bósnia-Herzegovina **c)** 42 Muhameda Hadzijahica, Saraievo, Bósnia-Herzegovina **d)** 70 e 53 Strossmajerova Street, Zenica, Bósnia-Herzegovina **e)** Zlatnih Ljiljana Street, Zavidovici, Bósnia-Herzegovina **Data de inserção na lista:** 11/5/2004 (alterada em 26/11/2004, 24/3/2009) **Outras informações:** Registada na Bósnia-Herzegovina como uma associação de cidadãos denominada “Citizens' Association for Support and Prevention of lies – Furqan” [Associação de Cidadãos para Apoio e Prevenção da Mentira – Furqan], em 26/9/1997. A Al Furqan cessou a actividade por decisão do Ministério da Justiça da Federação da Bósnia-Herzegovina (decisão número 03-054-286/97 datada de 8/11/2002). A Al Furqan já não existia em Dezembro de 2008. Revisão nos termos da Resolução n.º 1822 (2008) do Conselho de Segurança concluída em 15/6/2010.

**QE.A.110.04. Nome:** AL-HARAMAIN: AFGHANISTAN BRANCH [Al-Haramain: Sucursal do Afeganistão]

**Também conhecido por:** — **Anteriormente conhecido por:** — **Endereço:** Afeganistão (à data de inserção na lista) **Data de inserção na lista:** 6/7/2004 (alterada em 21/3/2012) **Outras informações:** Revisão nos termos da Resolução n.º 1822 (2008) do Conselho de Segurança concluída em 22/6/2010.

**QE.A.111.04. Nome:** AL-HARAMAIN: ALBANIA BRANCH [Al-Haramain: Sucursal da Albânia]

**Também conhecido por:** — **Anteriormente conhecido por:** — **Endereço:** Irfan Tomini Street, #58, Tirana, Albânia (à data de inserção na lista) **Data de inserção na lista:** 6/7/2004 (alterada em 21/3/2012) **Outras informações:** Revisão nos termos da Resolução n.º 1822 (2008) do Conselho de Segurança concluída em 22/6/2010.

**QE.A.109.04. Nome:** AL-HARAMAIN & AL MASJED AL-AQSA CHARITY FOUNDATION [Fundação de Beneficência Al-Haramain & Al Masjed Al-Aqsa]

**Também conhecido por:** a) Al Haramain Al Masjed Al Aqsa b) Al Haramayn Al Masjid Al Aqsa c) Al-Haramayn and Al Masjid Al Aqsa Charitable Foundation [Fundação de Caridade Al-Haramayn e Al Masjid Al Aqsa] d) Al Harammein Al Masjed Al-Aqsa Charity Foundation [Fundação de Beneficência Al Harammein Al Masjed Al-Aqsa] **Anteriormente conhecido por:** — **Endereço:** a) Endereço da sucursal: 2A Hasiba Brankovica, Saraievo, Bósnia-Herzegovina b) 14 Bihacka Street, Saraievo, Bósnia-Herzegovina c) 64 Potur mahala Street, Travnik, Bósnia-Herzegovina d) Zenica, Bósnia-Herzegovina **Data de inserção na lista:** 28/6/2004 (alterada em 26/11/2004, 16/9/2008, 24/3/2009) **Outras informações:** Anteriormente registada oficialmente na Bósnia-Herzegovina com o número 24. A Fundação de Beneficência Al-Haramain & Al Masjed Al-Aqsa cessou a sua actividade por decisão do Ministro da Justiça da Federação da Bósnia-Herzegovina (decisão de cessação de actividade número 03-05-2-203/04). Já tinha deixado de existir em Dezembro de 2008. As suas instalações e actividades humanitárias foram transferidas sob controlo governamental para uma nova entidade denominada Sretna Buducnost. Revisão nos termos da Resolução n.º 1822 (2008) do Conselho de Segurança concluída em 22/6/2010.

**QE.A.112.04. Nome:** AL-HARAMAIN: BANGLADESH BRANCH [Al-Haramain: Sucursal do Bangladeche]

**Também conhecido por:** — **Anteriormente conhecido por:** — **Endereço:** House 1, Road 1, S-6, Uttara, Dacca, Bangladeche (à data de inserção na lista) **Data de inserção na lista:** 6/7/2004 (alterada em 21/3/2012) **Outras informações:** Revisão nos termos da Resolução n.º 1822 (2008) do Conselho de Segurança concluída em 22/6/2010.



**QE.A.113.04. Nome:** AL-HARAMAIN: ETHIOPIA BRANCH [Al-Haramain: Sucursal da Etiópia]

**Também conhecido por:** — **Anteriormente conhecido por:** — **Endereço:** Woreda District 24 Kebele Section 13, Adis Abeba, Etiópia (à data de inserção na lista) **Data de inserção na lista:** 6/7/2004 (alterada em 21/3/2012) **Outras informações:** Revisão nos termos da Resolução n.º 1822 (2008) do Conselho de Segurança concluída em 22/6/2010.

**QE.A.103.04. Nome:** AL-HARAMAIN FOUNDATION (INDONESIA) [Fundação Al-Haramain (Indonésia)]

**Também conhecido por:** Yayasan Al-Manahil-Indonesia **Anteriormente conhecido por:** — **Endereço:** Jalan Laut Sulawesi Blok DII/4, Kavling Angkatan Laut Duren Sawit, Jacarta Timur 13440 Indonésia (à data de inserção na lista); Tel.: 021-86611265 e 021-86611266; Fax.: 021-8620174 **Data de inserção na lista:** 26/1/2004 (alterada em 21/3/2012) **Outras informações:** Revisão nos termos da Resolução n.º 1822 (2008) do Conselho de Segurança concluída em 22/6/2010.

**QE.A.104.04. Nome:** AL-HARAMAIN FOUNDATION (PAKISTAN) [Fundação Al-Haramain (Paquistão)]

**Também conhecido por:** — **Anteriormente conhecido por:** — **Endereço:** House #279, Nazimuddin Road, F-10/1, Islamabad, Paquistão (à data de inserção na lista) **Data de inserção na lista:** 26/1/2004 (alterada em 21/3/2012) **Outras informações:** Revisão nos termos da Resolução n.º 1822 (2008) do Conselho de Segurança concluída em 19/10/2009.

**QE.A.116.04. Nome:** AL-HARAMAIN FOUNDATION (UNION OF THE COMOROS) [Fundação Al-Haramain (União das Comores)]

**Também conhecido por:** — **Anteriormente conhecido por:** — **Endereço:** B/P: 1652 Moroni, União das Comores (à data de inserção na lista) **Data de inserção na lista:** 28/9/2004 (alterada em 21/3/2012) **Outras informações:** Revisão nos termos da Resolução n.º 1822 (2008) do Conselho de Segurança concluída em 22/6/2010.

**QE.A.117.04. Nome:** AL-HARAMAIN FOUNDATION (UNITED STATES OF AMERICA) [Fundação Al-Haramain (Estados Unidos da América)]

**Também conhecido por:** — **Anteriormente conhecido por:** — **Endereço:** a) 1257 Siskiyou Blvd., Ashland, OR 97520, Estados Unidos da América b) 3800 Highway 99 S, Ashland, OR 97520, Estados Unidos da América c) 2151 E Division St., Springfield, MO 65803, Estados Unidos da América **Data de inserção na lista:** 28/9/2004 (alterada em 25/1/2010) **Outras informações:** A sucursal dos Estados Unidos da Al-Haramain Foundation foi formalmente criada por Suliman Hamd Suleiman al-Buthe (QI.A.179.04.) e um associado em 1997. Revisão nos termos da Resolução n.º 1822 (2008) do Conselho de Segurança concluída em 19/10/2009.

**QE.A.71.02. Nome:** AL-HARAMAIN ISLAMIC FOUNDATION [Fundação Islâmica Al-Haramain]

**Também conhecido por:** a) Vazir b) Vezir **Anteriormente conhecido por:** — **Endereço:** a) 64 Poturmahala, Travnik, Bósnia-Herzegovina b) Saraievo, Bósnia-Herzegovina **Data de inserção na lista:** 13/3/2002 (alterada em 26/12/2003, 16/9/2008, 16/6/2011) **Outras informações:** Encontra-se sob investigação criminal das autoridades da Bósnia-Herzegovina desde Novembro de 2007. Entre os funcionários e associados contam-se Najib Ben Mohamed Ben Salem Al-Waz (inserido na lista com a referência permanente número QI.A.104.03.). Revisão nos termos da Resolução n.º 1822 (2008) do Conselho de Segurança concluída em 22/6/2010.

**QE.A.72.02. Nome:** AL-HARAMAIN ISLAMIC FOUNDATION (SOMALIA) [Fundação Islâmica Al-Haramain (Somália)]

**Também conhecido por:** — **Anteriormente conhecido por:** — **Endereço:** Somália **Data de inserção na lista:** 13/3/2002 (alterada em 13/12/2011) **Outras informações:** O seu fundador e antigo líder é Aqeel Abdulaziz Aqeel al-Aqeel (QI.A.171.04). Revisão nos termos da Resolução n.º 1822 (2008) do Conselho de Segurança concluída em 22/6/2010.

**QE.A.114.04. Nome:** AL-HARAMAIN: THE NETHERLANDS BRANCH [Al-Haramain: Sucursal dos Países Baixos]

**Também conhecido por:** Stichting Al Haramain Humanitarian Aid **Anteriormente conhecido por:** — **Endereço:** Jan Hanzenstraat 114, 1053SV, Amesterdão, Países Baixos (à data de inserção na lista) **Data de inserção na lista:** 6/7/2004 (alterada em 13/4/2012) **Outras informações:** O seu fundador e antigo líder é Aqeel Abdulaziz Aqeel al-Aqeel (QI.A.171.04) que foi igualmente o presidente do conselho de administração. Revisão nos termos da Resolução n.º 1822 (2008) do Conselho de Segurança concluída em 28/6/2010.

**QE.A.105.04. Nome:** AL-HARAMAYN FOUNDATION (KENYA) [Fundação Al-Haramain (Quénia)]

**Também conhecido por:** — **Anteriormente conhecido por:** — **Endereço:** a) Nairóbi, Quénia (à data de inserção na lista) b) Garissa, Quénia (à data de inserção na lista) c) Dadaab, Quénia (à data de inserção na lista) **Data de inserção na lista:** 26/1/2004 (alterada em 21/3/2012) **Outras informações:** Revisão nos termos da Resolução n.º 1822 (2008) do Conselho de Segurança concluída em 22/6/2010.

**QE.A.106.04. Nome:** AL-HARAMAYN FOUNDATION (TANZANIA) [Fundação Al-Haramain (Tanzânia)]

**Também conhecido por:** — **Anteriormente conhecido por:** — **Endereço:** a) P.O. Box 3616, Dar es Salaam, Tanzânia (à data de inserção na lista) b) Tanga (à data de inserção na lista) c) Singida (à data de inserção na lista) **Data de inserção na lista:** 26/1/2004 (alterada em 21/3/2012) **Outras informações:** Revisão nos termos da Resolução n.º 1822 (2008) do Conselho de Segurança concluída em 22/6/2010.

**QE.A.2.01. Nome:** AL-ITIHAAD AL-ISLAMIYA / AIAI

**Nome (grafia original):** [vide versão original em língua inglesa]

**Também conhecido por:** — **Anteriormente conhecido por:** — **Endereço:** — **Data de inserção na lista:** 6/10/2001 (alterada em 21/12/2007, 13/12/2011, 18/3/2013) **Outras informações:** Alegadamente, operou na Somália e na Etiópia tendo-se fundido com a Harakat Al-Shabaab Al-Mujaahidiin (Al-Shabaab), a qual foi aceite como afiliada da Al-Qaida (QE.A.4.01) por Aiman Muhammed Rabi al-Zawahiri (QI.A.6.01) em Fevereiro de 2012, e está igualmente sujeita às medidas sancionatórias estabelecidas na Resolução do Conselho de Segurança n.º 1844 (2008)

relativa à Somália e à Eritreia (*vide* [www.un.org/sc/committees/751/index.shtml](http://www.un.org/sc/committees/751/index.shtml)). A sua liderança incluía Hassan Abdullah Hersi Al-Turki (QI.A.172.04.) e Hassan Dahir Aweys (QI.D.42.01.). A AIAI recebeu fundos através da Al-Haramain Islamic Foundation (Somália) (QE.A.72.02). Revisão nos termos da Resolução n.º 1822 (2008) do Conselho de Segurança concluída em 21/6/2010.

**QE.M.139.14. Nome:** AL MOUAKAOUNE BIDDAM

**Nome (grafia original):** [*vide* versão original em língua inglesa]

**Também conhecido por:** a) Les Signataires par le Sang b) Ceux Qui Signent avec le Sang c) Those Who Sign in Blood [Os que Assinam Com o Sangue]

**Anteriormente conhecido por:** — **Endereço:** Mali **Data de inserção na lista:** 2/6/2014 **Outras informações:** Ligado à Organização da Al-Qaida no Magrebe Islâmico (QE.T.14.01) e liderado por Mokhtar Belmokhtar (QI.B.136.03). Activo na região de Sahel/Sahara.

**QE.M.140.14. Nome:** AL MOULATHAMOUN

**Nome (grafia original):** [*vide* versão original em língua inglesa]

**Também conhecido por:** a) Les Enturbannés b) The Veiled [Os que usam o véu]

**Anteriormente conhecido por:** — **Endereço:** a) Mali b) Niger c) Algeria **Data de inserção na lista:** 2/6/2014 **Outras informações:** Fundado em 2012 como grupo dissidente da Al-Qaida no Magrebe Islâmico (QE.T.14.01). Em 20/8/2013, o Al Moulathamoun fundiu-se com o Mouvement pour l'Unification et le Jihad en Afrique de l'Ouest (MUJAO) (QE.M.134.12) e estabeleceu o Al Mourabitoun (QE.M.141.14). Ligado à Organização da Al-Qaida no Magrebe Islâmico (QE.T.14.01) e liderado por Mokhtar Belmokhtar (QI.B.136.03). Activo na região de Sahel/Sahara.

**QE.M.141.14. Nome:** AL MOURABITOUN

**Nome (grafia original):** [*vide* versão original em língua inglesa]

**Também conhecido por:** a) Les Sentinelles b) The Sentinels [As Sentinelas]

**Anteriormente conhecido por:** — **Endereço:** Mali **Data de inserção na lista:** 2/6/2014 **Outras informações:** Fundado em 20/8/2013 como o resultado de uma fusão entre o Al Moulathamoun (QE.M.140.14) e o Mouvement pour l'Unification et

le Jihad en Afrique de l'Ouest (MUJAO) (QE.M.134.12). Ligado à Organização da Al-Qaida no Magrebe Islâmico (QE.T.14.01) e liderado por Mokhtar Belmokhtar (QI.B.136.03). Activo na região de Sahel/Sahara.

**QE.A.137.14. Nome:** AL-NUSRAH FRONT FOR THE PEOPLE OF THE LEVANT [Frente Al-Nusrah para o Povo do Levante]

**Nome (grafia original):** [vide versão original em língua inglesa]

**Também conhecido por:** **a)** [grafia árabe] (the Victory Front [a Frente da Vitória]; Jabhat al-Nusrah; Jabhet al-Nusra; Al-Nusrah Front [Frente Al-Nusrah]; Al-Nusra Front [Frente Al-Nusra]) **b)** [grafia árabe] (nome da sub-unidade: Ansar al-Mujahideen Network [Rede Ansar al-Mujahideen]) **c)** [grafia árabe] (nome da sub-unidade: Levantine Mujahideen on the Battlefields of Jihad [Levantine Mujahideen nos Campos de Batalha do Jihad]) **Anteriormente conhecido por:** — **Endereço:** **a)** opera na Síria **b)** rede de apoio no Iraque **Data de inserção na lista:** 14/5/2014 **Outras informações:** Ligada à Al-Qaida (QE.A.4.01) e a Ibrahim Awwad Ibrahim Ali al-Badri al-Samarrai (QI.A.299.11), o líder da Al-Qaida no Iraque (QE.J.115.04), desde pelo menos Janeiro de 2012. Traz sírios e estrangeiros da Al-Qaida no Iraque (QE.J.115.04) e combatentes do Asbat al-Ansar (QE.A.7.01), juntamente com outros agentes estrangeiros da Al-Qaida, para se juntarem aos elementos locais na Síria para aí levarem a cabo operações terroristas e de guerrilha. Inserido anteriormente na lista, entre 30/5/2013 e 13/5/2014, como sinónimo da Al-Qaida no Iraque (QE.J.115.04.).

**QE.A.4.01. Nome:** AL-QAIDA

**Nome (grafia original):** [vide versão original em língua inglesa]

**Também conhecido por:** **a)** “The Base” [“A Base”] **b)** Al Qaeda **c)** Islamic Salvation Foundation [Fundação da Salvação Islâmica] **d)** The Group for the Preservation of the Holy Sites [Grupo para a Preservação dos Lugares Santos] **e)** The Islamic Army for the Liberation of Holy Places [Exército Islâmico de Libertação dos Lugares Santos] **f)** The World Islamic Front for Jihad Against Jews and Crusaders [Frente Islâmica Mundial para o Jihad Contra os Judeus e Cruzados] **g)** Usama Bin Laden Network [Rede de Usama Bin Laden] **h)** Usama Bin Laden Organization [Organização de Usama Bin Laden] **i)** Al Qa’ida **j)** Al Qa’ida/Islamic Army [Al Qa’ida/Exército islâmico] (como anteriormente inserido na lista) **Anteriormente conhecido por:** — **Endereço:** — **Data de inserção na lista:** 6/10/2001 (alterada

em 5/3/2009, 21/3/2012) **Outras informações:** Revisão nos termos da Resolução n.º 1822 (2008) do Conselho de Segurança concluída em 21/6/2010.

**QE.J.115.04. Nome:** AL-QAIDA IN IRAQ [Al-Qaida no Iraque]

**Nome (grafia original):** [vide versão original em língua inglesa]

**Também conhecido por:** a) AQI b) al-Tawhid c) the Monotheism and Jihad Group [Grupo do Monoteísmo e Jihad] d) Qaida of the Jihad in the Land of the Two Rivers [Qaida do Jihad na Terra dos Dois Rios] e) Al-Qaida of Jihad in the Land of the Two Rivers [Al-Qaida do Jihad na Terra dos Dois Rios] f) The Organization of Jihad's Base in the Country of the Two Rivers [A Organização da Base do Jihad no País dos Dois Rios] g) The Organization Base of Jihad/Country of the Two Rivers [A Organização Base do Jihad/País dos Dois Rios] h) The Organization Base of Jihad/Mesopotamia [A Organização Base do Jihad/Mesopotâmia] i) Tanzim Qa'idat Al-Jihad fi Bilad al-Rafidayn j) Tanzeem Qa'idat al Jihad/Bilad al Raafidaini k) Jama'at Al-Tawhid Wa'al-Jihad l) JTJ m) Islamic State of Iraq [Estado Islâmico do Iraque] n) ISI o) al-Zarqawi network [Rede al-Zarqawi] p) Islamic State in Iraq and the Levant [Estado Islâmico no Iraque e Levante] **Anteriormente conhecido por:** — **Endereço:** — **Data de inserção na lista:** 18/10/2004 (alterada em 2/12/2004, 5/3/2009, 13/12/2011, 30/5/2013, 13/5/2014, 2/6/2014) **Outras informações:** Revisão nos termos da Resolução n.º 1822 (2008) do Conselho de Segurança concluída em 25/5/2010.

**QE.A.129.10. Nome:** AL-QAIDA IN THE ARABIAN PENINSULA (AQAP) [Al-Qaida na Península Arábica]

**Nome (grafia original):** [vide versão original em língua inglesa]

**Também conhecido por:** a) Al-Qaida of Jihad Organization in the Arabian Peninsula [Organização Jihad Al-Qaida na Península Arábica] b) Tanzim Qa'idat al-Jihad fi Jazirat al-Arab c) Al-Qaida Organization in the Arabian Peninsula (AQAP) [Organização Al-Qaida na Península Arábica] d) Al-Qaida in the South Arabian Peninsula [Al-Qaida no Sul da Península Arábica] e) Ansar al-Shari'a (AAS) **Anteriormente conhecido por:** Al-Qaida in Yemen (AQY) [Al-Qaida no Iémen] **Endereço:** — **Data de inserção na lista:** 19/1/2010 (alterada em 4/10/2012) **Outras informações:** A AQAP é uma filial regional da Al-Qaida (QE.A.4.01) e um grupo armado que opera principalmente na Península Arábica. Localização: Iémen.

Localização alternativa: Arábia Saudita (2004 – 2006). Constituído em Janeiro de 2009 quando os agentes da Al-Qaida no Iémen se juntaram aos da Al-Qaida na Arábia Saudita. O líder da AQAP é Nasir ‘abd-al-Karim ‘Abdullah Al-Wahishi (QI.A.274.10.) e o seu adjunto é Said Ali Al-Shihri (QI.A.275.10.). O Ansar al-Shari’a foi formado no início de 2011 pela AQAP e foi responsável por vários atentados no Iémen, tanto contra alvos governamentais, como contra alvos civis.

**QE.A.5.01. Nome:** AL RASHID TRUST [Crédito Al Rashid]

**Também conhecido por:** a) Al-Rasheed Trust [Crédito Al-Rasheed] b) Al-Rashid Trust [Crédito Al-Rashid] c) Aid Organization of the Ulema, Pakistan [Organização de Auxílio do Ulema, Paquistão] d) Al Amin Welfare Trust [Crédito Al Amin Welfare] e) Al Amin Trust [Crédito Al Amin] f) Al Ameen Trust [Crédito Al Ameen] g) Al-Ameen Trust [Crédito Al-Ameen] h) Al Rasheed Trust [Crédito Al Rasheed] i) Al Madina Trust [Crédito Al Madina] j) Al-Madina Trust [Crédito Al-Madina]

**Anteriormente conhecido por:** — **Endereço:** a) Kitas Ghar, Nazimabad 4, Dahgel-Iftah, Carachi, Paquistão b) Jamia Maajid, Sulalman Park, Melgium Pura, Lahore, Paquistão c) Office Dha’rbi-M’unin, em frente ao Khyber Bank, Abbottabad Road, Mansehra, Paquistão d) Office Dha’rbi-M’unin ZR Brothers, Katcherry Road, Chowk Yadgaar, Peshawar, Paquistão e) Office Dha’rbi-M’unin, Rm No. 3, Moti Plaza, Near Liaquat Bagh, Muree Road, Rawalpindi, Paquistão f) Office Dha’rbi-M’unin, Top Floor, Dr. Dawa Khan Dental Clinic Surgeon, Main Baxae, Mingora, Swat, Paquistão g) Kitab Ghar, Darul Ifta Wal Irshad, Nazimabad 4, Carachi, Paquistão, Tel. 6683301; Tel. 0300-8209199; Fax 6623814 h) 302b-40, Good Earth Court, em frente ao Pia Planitarium, Block 13a, Gulshan -l Igbal, Carachi, Paquistão; Tel. 4979263 i) 617 Clifton Center, Block 5, 6th Floor, Clifton, Carachi, Paquistão; Tel. 587-2545 j) 605 Landmark Plaza, 11 Chundrigar Road, em frente ao Jang Building, Carachi, Paquistão; Tel. 2623818-19 k) Jamia Masjid, Sulaiman Park, Begum Pura, Lahore, Paquistão; Tel. 042-6812081 **Data de inserção na lista:** 6/10/2001 (alterada em 21/10/2008, 10/12/2008, 13/12/2011) **Outras informações:** Tem sede no Paquistão. Operações no Afeganistão: Herat Jalalabad, Cabul, Kandahar, Mazar Sherif. Opera também no Kosovo, Chechénia. Envolvido no financiamento da Al-Qaida e dos Talibã. Até 21/10/2008, esta entidade aparecia também como “Aid Organization of the Ulema, Pakistan” (QE.A.73.02.) [“Organização de Auxílio do Ulema, Paquistão”], data de inserção na lista 24/4/2002 e alterada em 25/7/2006. As duas entradas Al Rashid Trust (QE.A.5.01.) e Aid Organization of the Ulema,

Pakistan (QE.A.73.02.) foram consolidadas na presente entrada em 21/10/2008. Fundado por Mufti Rashid Ahmad Ledahyanoy (QI.L.30.01). Associado a Jaish-i-Mohammed (QE.J.19.01). Interdito no Paquistão desde Outubro de 2001. Apesar do encerramento dos seus escritórios no Paquistão, em Fevereiro de 2007, continuou a sua actividade. Revisão nos termos da Resolução n.º 1822 (2008) do Conselho de Segurança concluída em 6/5/2010.

**QE.A.98.03. Nome:** ANSAR AL-ISLAM

**Nome (grafia original):** [*vide* versão original em língua inglesa]

**Também conhecido por:** a) Devotees of Islam [Devotos do Islão] b) Jund al-Islam c) Soldiers of Islam [Soldados do Islão] d) Kurdistan Supporters of Islam [Apoiantes Curdos do Islão] e) Supporters of Islam in Kurdistan [Apoiantes do Islão no Curdistão] f) Followers of Islam in Kurdistan [Seguidores do Islão no Curdistão] g) Kurdish Taliban [Talibã Curdos] h) Soldiers of God [Soldados de Deus] i) Ansar al-Sunna Army [Exército Ansar al-Sunna] j) Jaish Ansar al-Sunna k) Ansar al-Sunna

**Anteriormente conhecido por:** — **Endereço:** — **Data de inserção na lista:** 24/2/2003 (alterada em 31/3/2004, 5/3/2009, 18/3/2009, 21/10/2010, 13/12/2011)

**Outras informações:** O fundador é Najmuddin Faraj Ahmad (QI.A.226.06). Associado à Al-Qaida no Iraque (QE.J.115.04). Localizado e activo principalmente no norte do Iraque, mas mantém presença no Iraque Ocidental e no Iraque Central. Revisão nos termos da Resolução n.º 1822 (2008) do Conselho de Segurança concluída em 21/6/2010.

**QE.A.135.13 Nome:** ANSAR EDDINE

**Nome (grafia original):** [*vide* versão original em língua inglesa]

**Também conhecido por:** Ansar Dine **Anteriormente conhecido por** — **Endereço:** Mali **Data de inserção na lista:** 20/3/2013 **Outras informações:** Foi fundado em Dezembro de 2011 por Iyad ag Ghali (QI.A.316.13.). Ligado à Organização da Al-Qaida no Magrebe Islâmico (QE.T.14.01) e ao Mouvement pour l'Unification et le Jihad en Afrique de l'Ouest (MUJAO) (QE.M.134.12). Associado a Abdelmalek Droukdel (QI.D.232.07.).



**QE.A.142.14. Nome:** ANSARUL MUSLIMINA FI BILADIS SUDAN**Nome (grafia original):** [vide versão original em língua inglesa]**Também conhecido por:** a) Ansaru b) Ansarul Muslimina fi Biladis Sudan c) Jama'atu Ansaril Muslimina fi Biladis Sudan (JAMBS) d) Jama'atu Ansarul Muslimina fi Biladis-Sudan (JAMBS) e) Jamma'atu Ansarul Muslimina fi Biladis-Sudan (JAMBS) f) Vanguardas for the Protection of Muslims in Black Africa [Vanguardas para a Proteção dos Muçulmanos na África Negra] g) Vanguard for the Protection of Muslims in Black Africa [Vanguarda para a Proteção dos Muçulmanos na África Negra] **Anteriormente conhecido por** — **Endereço:** Nigéria **Data de inserção na lista:** 26/6/2014 **Outras informações:** Grupo terrorista e paramilitar estabelecido em 2012 e a operar na Nigéria. Ligado à Organização da Al-Qaida no Magrebe Islâmico (AQIM) (QE.T.14.01), ao Jama'atu Ahlis Sunna Lidda'Awati Wal-Jihad (Boko Haram) (QE.B.138.14) e a Abubakar Mohammed Shekau (QI.S.322.14).**QE.A.6.01. Nome:** ARMED ISLAMIC GROUP [Grupo Armado Islâmico]**Nome (grafia original):** [vide versão original em língua inglesa]**Também conhecido por:** a) Al Jamm'ah Al-Islamiah Al- Musallah b) GIA c) Groupe Islamique Armé **Anteriormente conhecido por:** — **Endereço:** Argélia **Data de inserção na lista:** 6/10/2001 (alterada em 7/4/2008, 13/12/2011) **Outras informações:** Revisão nos termos da Resolução n.º 1822 (2008) do Conselho de Segurança concluída em 21/6/2010.**QE.A.7.01. Nome:** ASBAT AL-ANSAR**Nome (grafia original):** [vide versão original em língua inglesa]**Também conhecido por:** — **Anteriormente conhecido por:** — **Endereço:** Ein el-Hilweh camp, Lebanon [Acampamento Ein el-Hilweh, Líbano] **Data de inserção na lista:** 6/10/2001 (alterada em 30/1/2009, 13/12/2011) **Outras informações:** Activo no norte do Iraque. Associado à Al-Qaida no Iraque (QE.J.115.04). Revisão nos termos da Resolução n.º 1822 (2008) do Conselho de Segurança concluída em 21/6/2010.

**QE.B.93.02. Nome:** BENEVOLENCE INTERNATIONAL FOUNDATION  
[Fundação Internacional de Benevolência]

**Também conhecido por:** a) Al Bir Al Dawalia b) BIF c) BIF-USA d) Mezhdunarodnyj Blagotvoritel'nyl Fond **Anteriormente conhecido por:** —  
**Endereço:** a) 8820 Mobile Avenue, IA, Oak Lawn, Illinois, 60453, Estados Unidos da América b) P.O. Box 548, Worth, Illinois, 60482, Estados Unidos da América c) (localização anterior) 9838 S. Roberts Road, Suite 1W, Palos Hills, Illinois, 60465, Estados Unidos da América d) (Localização anterior) 20-24 Branford Place, Suite 705, Newark, New Jersey, 07102, Estados Unidos da América e) P.O. Box 1937, Khartoum, Sudão f) Bangladeche g) Faixa de Gaza h) Iémen **Data de inserção na lista:** 21/11/2002 (alterada em 24/1/2003, 28/4/2011, 18/5/2012) **Outras informações:** O número de identificação de empregador (Estados Unidos da América): 36-3823186. Associado ao Fundo Internacional de Benevolência (QE.B.94.02). Revisão nos termos da Resolução n.º 1822 (2008) do Conselho de Segurança concluída em 22/6/2010.

**QE.D.102.03. Nome:** DJAMAT HOUMAT DAAWA SALAFIA (DHDS)

**Nome (grafia original):** [*vide* versão original em língua inglesa]

**Também conhecido por:** Djamaat Houmah Al-Dawah Al-Salafiat **Anteriormente conhecido por:** Katibat el Ahouel **Endereço:** Argélia **Data de inserção na lista:** 11/11/2003 (alterada em 26/11/2004, 7/4/2008, 25/1/2010, 13/12/2011) **Outras informações:** Associado ao Grupo Islâmico Armado (GIA) (QE.A.6.01) e à Organização da Al-Qaida no Magrebe Islâmico (QE.T.14.01). Revisão nos termos da Resolução n.º 1822 (2008) do Conselho de Segurança concluída em 30/7/2009.

**QE.E.88.02. Nome:** EASTERN TURKISTAN ISLAMIC MOVEMENT (ETIM)  
[Movimento Islâmico do Turquestão Oriental]

**Também conhecido por:** a) The Eastern Turkistan Islamic Party [Partido Islâmico do Turquestão Oriental] b) The Eastern Turkistan Islamic Party of Allah [Partido Islâmico de Allah do Turquestão Oriental] c) Islamic Party of Turkestan [Partido Islâmico do Turquestão] d) Djamaat Turkistan **Anteriormente conhecido por:** —  
**Endereço:** — **Data de inserção na lista:** 11/9/2002 (alterada em 3/10/2008, 13/12/2011) **Outras informações:** Activo na China, no sul asiático e na Ásia Central.

Revisão nos termos da Resolução n.º 1822 (2008) do Conselho de Segurança concluída em 20/5/2010.

**QE.A.3.01. Nome:** EGYPTIAN ISLAMIC JIHAD [Jihad Islâmico Egípcio]

**Nome (grafia original):** [*vide* versão original em língua inglesa]

**Também conhecido por:** a) Egyptian Al-Jihad [Al-Jihad Egípcio] b) Jihad Group [Grupo Jihad] c) New Jihad [Novo Jihad] d) Al-Jihad e) Movimento Islâmico Egípcio **Anteriormente conhecido por:** — **Endereço:** — **Data de inserção na lista:** 6/10/2001 (alterada em 5/3/2009, 13/12/2011) **Outras informações:** Fundado em conjunto com Aiman Muhammed Rabi al-Zawahiri (QI.A.6.01), que foi igualmente o seu líder militar. Revisão nos termos da Resolução n.º 1822 (2008) do Conselho de Segurança concluída em 21/6/2010.

**QE.E.131.11. Nome:** EMARAT KAVKAZ

**Nome (grafia original):** [*vide* versão original em língua inglesa]

**Também conhecido por:** — **Anteriormente conhecido por:** — **Endereço:** — **Data de inserção na lista:** 29/7/2011 **Outras informações:** Activo principalmente na Federação Russa, no Afeganistão e no Paquistão. Liderado por Doku Khamatovich Umarov (QI.U.290.11.).

**QE.G.91.02. Nome:** GLOBAL RELIEF FOUNDATION (GRF) [Fundação de Auxílio Mundial]

**Também conhecido por:** — **Anteriormente conhecido por:** — **Endereço:** a) 9935 South 76th Avenue, Unit 1, Bridgeview, Illinois, 60455, Estados Unidos da América b) P.O. Box 1406, Bridgeview, Illinois, 60455, Estados Unidos da América **Data de inserção na lista:** 22/10/2002 (alterada em 26/11/2004, 20/12/2005, 25/7/2006, 24/3/2009, 11/3/2010, 25/3/2010, 28/4/2011, 21/2/2012, 14/2/2014). **Outras informações:** Outros locais no estrangeiro: Afeganistão, Bangladeche, Eritreia, Etiópia, Índia, Iraque, Cisjordânia e Gaza, Somália e Síria. Número de identificação de empregador federal (Estados Unidos da América): 36-3804626.. Revisão nos termos da Resolução n.º 1822 (2008) do Conselho de Segurança concluída em 21/6/2010.

**QE.H.130.10. Nome:** HARAKAT-UL JIHAD ISLAMII**Nome (grafia original):** [*vide* versão original em língua inglesa]

**Também conhecido por:** a) HUJI b) Movement of Islamic Holy War [Movimento da Guerra Santa Islâmica] c) Harkat-ul-Jihad-al Islami d) Harkat-al-Jihad-ul Islami e) Harkat-ul-Jehad-al-Islami f) Harakat ul Jihad-e-Islami **Anteriormente conhecido por:** a) Harakat-ul-Ansar b) HUA **Endereço:** — **Data de inserção na lista:** 6/8/2010 (alterada em 13/12/2011) **Outras informações:** Foi estabelecido no Afeganistão em 1980. Em 1993, o Harakat-ul Jihad Islami foi fundido com o Harakat ul-Mujahidin (QE.H.8.01) para formarem o Harakat ul-Ansar. Em 1997, o Harakat-ul Jihad Islami separou-se do Harakat ul-Ansar e voltou a utilizar a denominação anterior. Operações na Índia, Paquistão e Afeganistão. Interdito no Paquistão.

**QE.H.8.01. Nome:** HARAKAT UL-MUJAHIDIN / HUM

**Também conhecido por:** a) Al-Faran b) Al-Hadid c) Al-Hadith d) Harakat Ul-Ansar e) HUA f) Harakat Ul- Mujahideen **Anteriormente conhecido por:** — **Endereço:** Paquistão **Data de inserção na lista:** 6/10/2001 (alterada em 13/12/2011) **Outras informações:** Associado a Jaish-i-Mohammed (QE.J.19.01), Lashkar i Jhangvi (LJ) (QE.L.96.03) e Lashkar-e-Tayyiba (QE.L.118.05). Activo no Paquistão e Afeganistão. Interdito no Paquistão. Revisão nos termos da Resolução n.º 1822 (2008) do Conselho de Segurança concluída em 21/6/2010.

**QE.I.9.01. Nome:** ISLAMIC ARMY OF ADEN [Exército Islâmico de Aden]

**Também conhecido por:** — **Anteriormente conhecido por:** — **Endereço:** — **Data de inserção na lista:** 6/10/2001 **Outras informações:** Revisão nos termos da Resolução n.º 1822 (2008) do Conselho de Segurança concluída em 9/7/2010.

**QE.I.99.03. Nome:** ISLAMIC INTERNATIONAL BRIGADE (IIB) [Brigada Islâmica Internacional]

**Também conhecido por:** a) The Islamic Peacekeeping Brigade [Brigada Islâmica para a Manutenção da Paz] b) The Islamic Peacekeeping Army [Exército Islâmico para a Manutenção da Paz] c) The International Brigade [Brigada Internacional] d) Islamic Peacekeeping Battalion [Patrulha Islâmica para a Manutenção da Paz] e) International Battalion [Patrulha Internacional] f) Islamic Peacekeeping International

Brigade [Brigada Islâmica Internacional para a Manutenção da Paz] **Anteriormente conhecido por:** — **Endereço:** — **Data de inserção na lista:** 4/3/2003 (alterada em 13/12/2011) **Outras informações:** Ligada ao Batalhão de Reconhecimento e Sabotagem Riyadus-Salikhin dos Mártires Chechenos (RSRSBCM) (QE.R.100.03) e Regimento Islâmico de Operações Especiais (SPIR) (QE.S.101.03). Revisão nos termos da Resolução n.º 1822 (2008) do Conselho de Segurança concluída em 17/5/2010.

**QE.I.119.05. Nome:** ISLAMIC JIHAD GROUP [Grupo Jihad Islâmico]

**Também conhecido por:** a) Jama'at al-Jihad b) Libyan Society [Sociedade Líbia] c) Kazakh Jama'at d) Jamaat Mojahedin e) Jamiyat f) Jamiat al-Jihad al-Islami g) Dzhamaat Modzhakhedov h) Islamic Jihad Group of Uzbekistan [Grupo Jihad Islâmico do Usbequistão] i) al-Djihad al-Islami j) Zamaat Modzhakhedov Tsentralnoy Asii k) Islamic Jihad Union [União Jihad Islâmica] **Anteriormente conhecido por:** — **Endereço:** — **Data de inserção na lista:** 1/6/2005 (alterada em 19/4/2006, 20/2/2008, 13/12/2011) **Outras informações:** Fundado e liderado por Najmiddin Kamolitdinovich Jalolov (QI.J.240.08) e por Suhayl Fatilloevich Buranov (QI.B.239.08). Associado ao Movimento Islâmico do Usbequistão (QE.I.10.01) e ao Emarat Kavkaz (QE.E.131.11). Activo na zona da fronteira Afeganistão/Paquistão, nas regiões da Ásia Central, no sul asiático e em alguns estados europeus. Revisão nos termos da Resolução n.º 1822 (2008) do Conselho de Segurança concluída em 20/5/2010.

**QE.I.10.01. Nome:** ISLAMIC MOVEMENT OF UZBEKISTAN [Movimento Islâmico do Usbequistão]

**Também conhecido por:** IMU **Anteriormente conhecido por:** — **Endereço:** — **Data de inserção na lista:** 6/10/2001 (alterada em 13/12/2011) **Outras informações:** Associado ao Movimento Islâmico do Turquestão Oriental (QE.E.88.02), ao Grupo Jihad Islâmico (QE.I.119.05) e ao Emarat Kavkaz (QE.E.131.11). Activo na zona da fronteira Afeganistão/Paquistão, norte do Afeganistão e Ásia Central. Revisão nos termos da Resolução n.º 1822 (2008) do Conselho de Segurança concluída em 21/6/2010.

**QE.J.19.01. Nome:** JAISH-I-MOHAMMED

**Também conhecido por:** Army of Mohammed [Exército de Mohammed]

**Anteriormente conhecido por:** — **Endereço:** Paquistão **Data de inserção na lista:** 17/10/2001 (alterada em 13/12/2011) **Outras informações:** Fixado em Peshawar e em Muzaffarabad, Paquistão. Associado ao Harakat ul-Mujahidin / HUM (QE.H.8.01), ao Lashkar-e-Tayyiba (QE.L.118.05), ao Crédito Internacional Al-Akhtar (QE.A.121.05), e ao Harakat-ul Jihad Islami (QE.H.130.10). Interdito no Paquistão. Revisão nos termos da Resolução n.º 1822 (2008) do Conselho de Segurança concluída em 21/6/2010.

**QE.B.138.14. Nome:** JAMA'ATU AHLIS SUNNA LIDDA'AWATI WAL-JIHAD

**Também conhecido por:** a) Jama'atu Ahlus-Sunnah Lidda'Awati Wal Jihad b) Jama'atu Ahlus-Sunna Lidda'Awati Wal Jihad c) [grafia árabe] d) Boko Haram e) Western Education is a Sin [A Educação Ocidental é um Pecado] **Anteriormente conhecido por:** — **Endereço:** Nigéria **Data de inserção na lista:** 22/5/2014 **Outras informações:** Filial da Al-Qaida (QE.A.4.01), e da Organização da Al-Qaida no Magrebe Islâmico (AQIM) (QE.T.14.01). Ligado ao Jama'atu Ansarul Muslimina Fi Biladis-Sudan (Ansaru). O líder é Abubakar Shekau.

**QE.J.20.01. Nome:** JAM'YAH TA'AWUN AL-ISLAMIA

**Também conhecido por:** a) Society of Islamic Cooperation [Sociedade de Cooperação Islâmica] b) Jam'iyat Al Ta'awun Al Islamiyya c) Jit **Anteriormente conhecido por:** — **Endereço:** cidade de Kandahar, Afeganistão **Data de inserção na lista:** 17/10/2001 (alterada em 13/12/2011) **Outras informações:** Fundado por Usama Mohammad Awad bin Laden (QI.B.8.01) em 2001. Revisão nos termos da Resolução n.º 1822 (2008) do Conselho de Segurança concluída em 21/6/2010.

**QE.J.92.02. Nome:** JEMAAH ISLAMIAH

**Também conhecido por:** a) Jema'ah Islamiyah b) Jemaah Islamiya c) Jemaah Islamiah d) Jamaah Islamiyah e) Jama'ah Islamiyah **Anteriormente conhecido por:** — **Endereço:** — **Data de inserção na lista:** 25/10/2002 (alterada em 13/12/2011) **Outras informações:** Opera no sudeste asiático, nomeadamente, na Indonésia, na Malásia e nas Filipinas. Associado ao Grupo Abu Sayyaf (QE.A.1.01).

Revisão nos termos da Resolução n.º 1822 (2008) do Conselho de Segurança concluída em 25/5/2010.

**QE.J.133.12. Nome:** JEMMAH ANSHORUT TAUHID (JAT)

**Também conhecido por:** a) Jemaah Anshorut Tauhid b) Jemmah Ansharut Tauhid c) Jem'mah Ansharut Tauhid d) Jamaah Ansharut Tauhid e) Jama'ah Ansharut Tauhid f) Laskar 99 **Anteriormente conhecido por:** — **Endereço:** Jl. Semenromo number 58, 04/XV Ngruki, Cemani, Grogol, Sukoharjo, Jawa Tengah, Indonésia, Tel.: 0271-2167285, endereço electrónico: info@ansharuttauhid.com **Data de inserção na lista:** 12/3/2012 **Outras informações:** Fundado e liderado por Abu Bakar Ba'asyir (QI.B.217.06.). Estabelecido em 27/7/2008 em Solo, Indonésia. Associado ao Jemmah Islamiya (JI) (QE.J.92.02.). *Website:* http://ansharuttauhid.com/

**QE.L.118.05. Nome:** LASHKAR-E-TAYYIBA

**Também conhecido por:** a) Lashkar-e-Toiba b) Lashkar-i-Taiba c) al Mansoorian d) al Mansooreen e) Army of the Pure [Exército dos Puros] f) Army of the Righteous [Exército dos Justos] g) Army of the Pure and Righteous [Exército dos Puros e dos Justos] h) Paasban-e-Kashmir i) Paasban-i-Ahle-Hadith j) Pasban-e-Kashmir k) Pasban-e-Ahle-Hadith l) Paasban-e-Ahle-Hadis m) Pashan-e-ahle Hadis n) Lashkar e Tayyaba o) LET p) Jamaat-ud-Dawa q) JUD r) Jama'at al-Dawa s) Jamaat ud-Daawa t) Jamaat ul-Dawah u) Jamaat-ul-Dawa v) Jama'at-i-Dawat w) Jamaat-ud-Dawa x) Jama'at-ud-Da'awah y) Jama'at-ud-Da'awa z) Jamaati-ud-Dawa aa) Falah-i-Insaniat Foundation (FIF) (Fundação Falah-i-Insaniat) **Anteriormente conhecido por:** — **Endereço:** — **Data de inserção na lista:** 2/5/2005 (alterada em 3/11/2005, 10/12/2008, 14/3/2012) **Outras informações:** Associado a Hafiz Muhammad Saeed (QI.S.263.08), que é o líder do Lashkar-e-Tayyiba. Revisão nos termos da Resolução n.º 1822 (2008) do Conselho de Segurança concluída em 8/6/2010.

**QE.L.96.03. Nome:** LASHKAR I JHANGVI (LJ)

**Também conhecido por:** — **Anteriormente conhecido por:** — **Endereço:** — **Data de inserção na lista:** 3/2/2003 (alterada em 13/12/2011) **Outras informações:** Fixado inicialmente na região de Punjab no Paquistão e na cidade de Carachi. Activo no Paquistão embora tenha sido interdito em 2010. Revisão nos termos da Resolução n.º 1822 (2008) do Conselho de Segurança concluída em 21/6/2010.

**QE.L.11.01. Nome:** LIBYAN ISLAMIC FIGHTING GROUP [Grupo Islâmico Combatente Líbio]

**Nome (grafia original):** [vide versão original em língua inglesa]

**Também conhecido por:** LIFG **Anteriormente conhecido por:** — **Endereço:** Jamahiriya Árabe Líbia **Data de inserção na lista:** 6/10/2001 (alterada em 5/3/2009, 13/12/2011) **Outras informações:** Os seus membros no Afeganistão fundiram-se com a Al-Qaida (QE.A.4.01) em Novembro de 2007. Revisão nos termos da Resolução n.º 1822 (2008) do Conselho de Segurança concluída em 21/6/2010.

**QE.M.12.01. Nome:** MAKHTAB AL-KHIDAMAT

**Nome (grafia original):** [vide versão original em língua inglesa]

**Também conhecido por:** a) MAK b) Al Kifah **Anteriormente conhecido por:** — **Endereço:** — **Data de inserção na lista:** 6/10/2001 (alterada em 5/3/2009, 13/12/2011) **Outras informações:** Absorvido pela Al-Qaida (QE.A.4.01.). Revisão nos termos da Resolução n.º 1822 (2008) do Conselho de Segurança concluída em 21/6/2010.

**QE.M.89.02. Nome:** MOROCCAN ISLAMIC COMBATANT GROUP [Grupo Islâmico Combatente Marroquino]

**Nome (grafia original):** [vide versão original em língua inglesa]

**Também conhecido por:** a) Groupe Islamique Combattant Marocain b) GICM **Anteriormente conhecido por:** — **Endereço:** Marrocos **Data de inserção na lista:** 10/10/2002 (alterada em 5/3/2009) **Outras informações:** Ligado à Organização da Al-Qaida no Magrebe Islâmico (QE.T.14.01). Revisão nos termos da Resolução n.º 1822 (2008) do Conselho de Segurança concluída em 20/5/2010.

**QE.M.134.12. Nome:** Mouvement pour l'Unification et le Jihad en Afrique de l'Ouest (MUJAO)

**Nome (grafia original):** [vide versão original em língua inglesa]

**Também conhecido por:** — **Endereço:** a) Mali b) Argélia **Data de inserção na lista:** 5/12/2012 **Outras informações:** Ligado à Organização da Al-Qaida no Magrebe Islâmico (QE.T.14.01.) e a Mokhtar Belmokhtar (QI.B.136.03.). Activo na região Sahel/Sahara.



**QE.M.136.13 Nome:** MUHAMMAD JAMAL NETWORK (MJN) [Rede MUHAMMAD JAMAL (MJN)]

**Nome (grafia original):** [vide versão original em língua inglesa]

**Também conhecido por:** a) Muhammad Jamal Group [Grupo Muhammad Jamal] b) Jamal Network [Rede Jamal] c) Abu Ahmed Group [Grupo Abu Ahmed] d) Al-Qaida in Egypt [Al-Qaida no Egipto] (AQE) **Anteriormente conhecido por:** — **Endereço:** Actua no Egipto, na Líbia e no Mali **Data de inserção na lista:** 21/10/2013 **Outras informações:** Grupo terrorista e paramilitar criado por Muhammad Jamal al Kashif (QI.A.318.13) em 2011 e ligado à Al-Qaida (QE.A.4.01), a Aiman al-Zawahiri (QI.A.6.01) e à liderança da Al-Qaida na Península Arábica (AQAP) (QE.A.129.10), e à Organização da Al-Qaida no Magrebe Islâmico (AQIM) (QE.T.14.01). Fundado e financiado pela AQAP. Vários campos de treino terroristas no Egipto e na Líbia. Alegadamente a adquirir armas, a treinar e a criar grupos terroristas no Sinai, Egipto. Treino de bombistas suicidas, de combatentes estrangeiros e planeamento de ataques terroristas no Egipto, na Líbia e noutros locais desde Setembro de 2013. Membros do MJN estiveram alegadamente envolvidos no ataque à Missão dos Estados Unidos em Benghazi, na Líbia, em 11/9/2012.

**QE.R.21.01. Nome:** RABITA TRUST [Crédito Rabita]

**Também conhecido por:** — **Anteriormente conhecido por:** — **Endereço:** a) Room 9a, 2nd Floor, Wahdat Road, Education Town, Lahore, Paquistão b) Colónia de Wares, Lahore, Paquistão (à data de inserção na lista) **Data de inserção na lista:** 17/10/2001 (alterada em 21/3/2012) **Outras informações:** Wa'el Hamza Abd al-Fatah Julaidan (QI.J.79.02) desempenhou funções de director geral desta empresa. Interdito no Paquistão. Revisão nos termos da Resolução n.º 1822 (2008) do Conselho de Segurança concluída em 21/6/2010.

**QE.R.128.08. Nome:** RAJAH SOLAIMAN MOVEMENT [Movimento Rajah Solaiman]

**Também conhecido por:** a) Rajah Solaiman Islamic Movement [Movimento Islâmico Rajah Solaiman] b) Rajah Solaiman Revolutionary Movement [Movimento Revolucionário Rajah Solaiman] **Anteriormente conhecido por:** — **Endereço:** a) Barangay Mal-Ong, Anda, província de Pangasinan, Filipinas b) Sitio Dueg,

Barangay Maasin, San Clemente, província de Tarlac, Filipinas **c)** Number 50, Purdue Street, Cubao, cidade de Quezon, Filipinas **Data de inserção na lista:** 4/6/2008 (alterada em 13/12/2011) **Outras informações:** Fundado e chefiado por Hilarion Del Rosario Santos III (QI.S.244.08). Associado ao Grupo Abu Sayyaf (QE.A.1.01.) e ao Jemaah Islamiyah (QE.J.92.02.), à Organização Internacional de Auxílio Islâmico, sucursais das Filipinas (QE.I.126.06.) e a Khadafi Abubakar Janjalani (QI.J.180.04.). Revisão nos termos da Resolução n.º 1822 (2008) do Conselho de Segurança concluída em 13/5/2010.

**QE.R.70.02. Nome:** REVIVAL OF ISLAMIC HERITAGE SOCIETY [Sociedade da Restauração do Património Islâmico]

**Nome (grafia original):** [*vide* versão original em língua inglesa]

**Também conhecido por:** **a)** Revival of Islamic Society Heritage on the African Continent [Sociedade da Restauração do Património Islâmico no Continente Africano]

**b)** Jamia Ihya ul Turath **c)** RIHS **d)** Jamiat Ihia Al-Turath Al-Islamiya

**Anteriormente conhecido por:** — **Endereço:** **a)** Paquistão **b)** Afeganistão **Data de inserção na lista:** 11/1/2002 (alterada em 25/7/2006, 5/3/2009, 13/12/2011)

**Outras informações:** NOTA: Só estão designados os escritórios desta entidade no Paquistão e no Afeganistão. Associado a Abu Bakr al-Jaziri (QI.A.58.02) e ao Comité de Apoio Afegão (ASC) (QE.A.69.02). Revisão nos termos da Resolução n.º 1822 (2008) do Conselho de Segurança concluída em 8/6/2010.

**QE.R.100.03. Nome:** RIYADUS-SALIKHIN RECONNAISSANCE AND SABOTAGE BATTALION OF CHECHEN MARTYRS (RSRSBCM) [Batalhão de Reconhecimento e Sabotagem Riyadus-Salikhin dos Mártires Chechenos]

**Também conhecido por:** **a)** Riyadus-Salikhin Reconnaissance and Sabotage Battalion [Batalhão de Reconhecimento e Sabotagem Riyadus-Salikhin] **b)** Riyadh-as-Saliheen **c)** The Sabotage and Military Surveillance Group of the Riyadh al-Salihin Martyrs [Grupo de Sabotagem e Vigilância Militar dos Mártires Riade al-Salihin] **d)** Firqat al-Takhrib wa al-Istitla al-Askariyah li Shuhada Riyadh al-Salihin

**e)** Riyadus-Salikhin Reconnaissance and Sabotage battalion of Shahids (martyrs) [Batalhão de Reconhecimento e Sabotagem Riyadus-Salikhin dos Shahids (mártires)]

**Anteriormente conhecido por:** — **Endereço:** — **Data de inserção na lista:** 4/3/2003 (alterada em 25/7/2006, 13/12/2011) **Outras informações:** Associado à

Brigada Islâmica Internacional (IIB) (QE.I.99.03), ao Regimento Islâmico de Operações Especiais (SPIR) (QE.S.101.03) e ao Emarat Kavkaz (QE.E.131.11). Revisão nos termos da Resolução n.º 1822 (2008) do Conselho de Segurança concluída em 17/5/2010.

**QE.S.101.03. Nome:** SPECIAL PURPOSE ISLAMIC REGIMENT (SPIR) [Regimento Islâmico de Operações Especiais]

**Também conhecido por:** a) The Islamic Special Purpose Regiment [Movimento Islâmico de Operações Especiais] b) The al-Jihad-Fisi-Sabililah Special Islamic Regiment [Regimento Islâmico al-Jihad-Fisi-Sabililah] c) Islamic Regiment of Special Meaning [Regimento Islâmico de Significado Especial] **Anteriormente conhecido por:** — **Endereço:** — **Data de inserção na lista:** 4/3/2003 (alterada em 25/7/2006, 13/12/2011) **Outras informações:** Ligado à Brigada Islâmica Internacional (IIB) (QE.I.99.03) e ao Batalhão de Reconhecimento e Sabotagem Riyadus-Salikhin dos Mártires Chechenos (RSRSBCM) (QE.R.100.03). Revisão nos termos da Resolução n.º 1822 (2008) do Conselho de Segurança concluída em 17/5/2010.

**QE.T.108.04. Nome:** TAIBAH INTERNATIONAL-BOSNIA OFFICES [Taibah International – Escritórios da Bósnia]

**Também conhecido por:** a) Taibah International Aid Agency [Agência de Auxílio Taibah International] b) Taibah International Aid Association [Associação de Auxílio Taibah International] c) Al Taibah, Intl. d) Taibah International Aide Association [Associação de Ajuda Taibah International] **Anteriormente conhecido por:** — **Endereço:** a) 6 Avde Smajlovica Street, Novo Saraievo, Bósnia-Herzegovina b) 26 Tabhanska Street, Visoko, Bósnia-Herzegovina c) 3 Velika Cilna Ulica, Visoko, Bósnia-Herzegovina d) 26 Tabhanska Street, Visoko, Bósnia-Herzegovina **Data de inserção na lista:** 11/5/2004 (alterada em 24/3/2009) **Outras informações:** Em 2002-2004, a Taibah International – Escritórios da Bósnia utilizou as instalações da Casa da Cultura em Hadzici, Saraievo, Bósnia-Herzegovina. A Organização foi oficialmente registada na Bósnia-Herzegovina como uma sucursal da Associação de Auxílio Taibah International sob o registo número 7. A Taibah International – Escritórios da Bósnia cessou a sua actividade por decisão do Ministro da Justiça da Federação da Bósnia-Herzegovina (decisão de cessação de actividade número 03-05-

2-70/03). Revisão nos termos da Resolução n.º 1822 (2008) do Conselho de Segurança concluída em 21/6/2010.

**QE.T.132.11. Nome:** TEHRIK-E TALIBAN PAKISTAN (TTP)

**Nome (grafia original):** [*vide* versão original em língua inglesa]

**Também conhecido por:** a) Tehrik-I-Taliban Pakistan b) Tehrik-e-Taliban c) Paquistanesa Taliban d) Tehreek-e-Taliban **Anteriormente conhecido por:** —

**Endereço:** — **Data de inserção na lista:** 29/7/2011 **Outras informações:** O Tehrik-e Taliban está fixado nas zonas tribais ao longo da fronteira Afeganistão/Paquistão. Formado em 2007, o seu líder é Hakimullah Mehsud (QI.M.286.10.). Wali Ur Rehman (QI.U.287.10.) é o emir do TTP no Waziristão do Sul.

**QE.T.14.01. Nome:** THE ORGANIZATION OF AL-QAIDA IN THE ISLAMIC MAGHREB [Organização da Al-Qaida no Magrebe Islâmico]

**Nome (grafia original):** [*vide* versão original em língua inglesa]

**Também conhecido por:** a) AQIM b) Al Qaïda au Maghreb islamique (AQMI)

**Anteriormente conhecido por:** a) Le Groupe Salafiste pour La Prédication et le Combat (GSPC) b) Salafist Group For Call and Combat [Grupo Salafista para a Prédica e o Combate] **Endereço:** a) Argélia b) Mali c) Mauritânia d) Marrocos e) Níger f) Tunísia

**Data de inserção na lista:** 6/10/2001 (alterada em 26/4/2007, 7/4/2008, 17/7/2009, 13/12/2011) **Outras informações:** Chefiada por Abdelmalek Droukdel (QI.D.232.07.). A zona de operação inclui a Argélia e partes do Mali, Mauritânia, Níger, Tunísia e Marrocos. Revisão nos termos da Resolução n.º 1822 (2008) do Conselho de Segurança concluída em 21/6/2010.

**QE.T.90.02. Nome:** TUNISIAN COMBATANT GROUP [Grupo Combatente Tunisino]

**Nome (grafia original):** [*vide* versão original em língua inglesa]

**Também conhecido por:** a) Groupe Combattant Tunisien b) Groupe Islamiste Combattant Tunisien c) GICT **Anteriormente conhecido por:** — **Endereço:**

Tunísia **Data de inserção na lista:** 10/10/2002 (alterada em 26/11/2004, 5/3/2009, 13/12/2011) **Outras informações:** Ligado à Organização da Al-Qaida no Magrebe

Islâmico (QE.T.14.01). Revisão nos termos da Resolução n.º 1822 (2008) do Conselho de Segurança concluída em 6/5/2010.

**QE.U.68.01. Nome:** UMMAH TAMEER E-NAU (UTN)

**Também conhecido por:** — **Anteriormente conhecido por:** — **Endereço:** a) Street 13, Wazir Akbar Khan, Cabul, Afeganistão b) Paquistão **Data de inserção na lista:** 24/12/2001 (alterada em 13/12/2011) **Outras informações:** Entre os seus directores contam-se Mahmood Sultan Bashir-Ud-Din (QI.B.55.01), Majeed Abdul Chaudhry (QI.A.54.01) e Mohammed Tufail (QI.T.56.01). Interdito no Paquistão. Revisão nos termos da Resolução n.º 1822 (2008) do Conselho de Segurança concluída em 21/6/2010.

**QE.W.15.01. Nome:** Wafa HUMANITARIAN ORGANIZATION [Organização Humanitária Wafa]

**Também conhecido por:** a) Al Wafa b) Al Wafa Organization (Organização Al Wafa) c) Wafa Al-Igatha Al-Islamia **Anteriormente conhecido por:** — **Endereço:** a) Jordan House No. 125, Street 54, Phase II Hayatabad, Peshawar, Paquistão (à data de inserção na lista) b) Arábia Saudita (à data de inserção na lista) c) Kuweit (à data de inserção na lista) d) Emirados Árabes Unidos (à data de inserção na lista) e) Afeganistão (à data de inserção na lista) **Data de inserção na lista:** 6/10/2001 (alterada em 21/3/2012) **Outras informações:** Tinha sede em Kandahar, Afeganistão, em 2001. A Wafa foi uma das componentes da Al-Qaida (QE.A.4.01) em 2001. Revisão nos termos da Resolução n.º 1822 (2008) do Conselho de Segurança concluída em 21/6/2010.

## 第 57/2014 號行政長官公告

中華人民共和國是國際海事組織的成員國及一九七四年十一月一日訂於倫敦的《國際海上人命安全公約》（下稱“公約”）的締約國；

國際海事組織海上安全委員會於一九九二年四月十日透過第MSC.26(60)號決議通過了公約第II-1章關於現有滾裝客船的修正案；

中華人民共和國於一九九九年十二月十三日以照會通知聯合國秘書長，經修訂的公約自一九九九年十二月二十日起適用於澳門特別行政區；

基於此，行政長官根據澳門特別行政區第3/1999號法律第六條第一款的規定，命令公佈包含上指修正案的MSC.26(60)號決議的中文及英文正式文本。

二零一四年九月十五日發佈。

行政長官 崔世安

## Aviso do Chefe do Executivo n.º 57/2014

Considerando que a República Popular da China é um Estado Membro da Organização Marítima Internacional e um Estado Contratante da Convenção Internacional para a Salvaguarda da Vida Humana no Mar, concluída em Londres em 1 de Novembro de 1974, adiante designada por Convenção;

Considerando igualmente que, em 10 de Abril de 1992, o Comité de Segurança Marítima da Organização Marítima Internacional, através da resolução MSC.26(60), adoptou emendas ao capítulo II-1 da Convenção, relativas aos navios *ro-ro* de passageiros existentes;

Considerando ainda que a República Popular da China, por nota datada de 13 de Dezembro de 1999, notificou o Secretário-Geral das Nações Unidas sobre a aplicação da Convenção, tal como emendada, na Região Administrativa Especial de Macau, a partir de 20 de Dezembro de 1999;

O Chefe do Executivo manda publicar, nos termos do n.º 1 do artigo 6.º da Lei n.º 3/1999 da Região Administrativa Especial de Macau, a resolução MSC.26(60), que contém as referidas emendas, nos seus textos autênticos em línguas chinesa e inglesa.

Promulgado em 15 de Setembro de 2014.

O Chefe do Executivo, *Chui Sai On*.

## 第 MSC.26 (60) 號決議

(1992 年 4 月 10 日通過)

### 通過《1974 年國際海上人命安全公約》

#### 第 II - 1 章的修正案

#### 現有滾裝客船

海上安全委員會，

憶及《國際海事組織公約》有關本委員會職責的第 28 (b) 條，

還憶及《1974 年國際海上人命安全公約》(此後稱為“該公約”)有關該公約附件除第 I 章規定以外的修正程序的第 VIII (b) 條，

又憶及大會以第 A.596 (15) 號決議決定本組織給予加強滾裝旅客渡船安全的工作以較高優先性，

在其第六十次會議上審議了按該公約第 VIII (b) (i) 條提議和散發的該公約的修正案，

1. 按照該公約第 VIII (b) (iv) 條通過該公約的修正案，其文本載於本決議的附件中；
2. 按照該公約第 VIII (b) (vi) (2) (bb) 條決定：這些修正案在 1994 年 4 月 1 日應視為已獲接受，除非在該日期前多於三分之一的該公約締約政府，或其合計商船船隊不少於世界商船船隊 50% 總噸位的締約政府通知反對這些修正案；

3. 請各締約政府注意：按照該公約第 VIII (b) (vii) (2) 條，這些修正案在按上述第 2 段得到接受後，應於 1994 年 10 月 1 日生效；
4. 按該公約第 VIII (b) (v) 條，要求秘書長將本決議及其附件中所載的修正案案文的核證無誤副本分發給該公約的所有締約政府；
5. 還要求秘書長將本決議的副本分發給非屬該公約締約政府的本組織會員。



## 附件

# 《1974年國際海上人命安全公約》

## 第 II-1 章的修正案

### 第 1 條 適用範圍

現有第 3 款改為 3.1 款，在 3.1 款後插入新的第 3.2 款如下：

“3.2 儘管有第 3.1 款的規定，為達到第 8.9 條要求而進行修理、改裝和改建的客船不應被視為已經進行了重大的修理、改裝和改建。”

### 第 8 條 客船在破損情況下的穩性

1 標題後的現有條文由下述者取代：

“（在符合第 9 款的前提下，第 2.3.1 至 2.3.4 款、第 2.4 款、第 5 款和第 6.2 款適用於在 1990 年 4 月 29 日和其以後建造的客船。第 7.2、7.3 和 7.4 款適用於一切客船）”。

2 在現有第 2.3.4 款後面加上新的第 2.3.5 款如下：

“2.3.5 對 1990 年 4 月 29 日前建造的具有第 II—2/3 條規定的滾裝貨物處所或特種處所的客船，主管機關可允許：

- .1 減少第 2.3.1 款中規定的剩餘復原力臂曲線的最小範圍；和
- .2 按照下述公式計算第 2.3.3 款中所述剩餘復原力臂（GZ）：

$$GZ(\text{以米計}) = \frac{\text{傾側力矩}}{\text{排水量}}$$

但在任何情況下該復原力臂不得小於 0.09 米。

3 在現有第 8 款後插入新的第 9 款如下：

“9 按照海上委員會於 1991 年 6 月在其第五十九次會議上制定的《在使用以第 A.265 (VIII) 號決議為基礎的簡化方法時評定現有滾裝客船的抗沉特性的計算程序》(MSC./Circ.574 號文件)的附件中規定的分艙指數  $A/A_{\max}$ 、建造於 1990 年 4 月 29 日前、具有第 II—2/3 條規定的滾裝貨物處所或特種處所的客船應不遲於下述日期符合經第 MSC.12 (56) 號決議修正的本條及增加的第 2.3.5 款的規定：

分艙指數 $A/A_{\max}$ 值	符合日期
小於 70%	1994 年 10 月 1 日
70%或以上但小於 75%	1996 年 10 月 1 日
75%或以上但小於 85%	1998 年 10 月 1 日
85%或以上但小於 90%	2000 年 10 月 1 日
90%或以上但小於 95%	2005 年 10 月 1 日

本條規定不需用於分艙指數  $A/A_{\max}$  值為 95%或以上的船舶。”

RESOLUTION MSC.26(60)  
(adopted on 10 April 1992)

ADOPTION OF AMENDMENTS TO CHAPTER II-1 OF THE INTERNATIONAL  
CONVENTION FOR THE SAFETY OF LIFE AT SEA, 1974 .

EXISTING RO-RO PASSENGER SHIPS

THE MARITIME SAFETY COMMITTEE,

REGALLING Article 28(b) of the Convention on the International Maritime Organization concerning the functions of the Committee,

REGALLING FURTHER article VIII(b) of the International Convention for the Safety of Life at Sea, 1974, hereinafter referred to as "the Convention", concerning the procedures for amending the Annex to the Convention, other than the provisions of chapter I,

REGALLING ALSO that by resolution A.596(15) the Assembly resolved that the Organization give a high priority to its work aimed at enhancing the safety of passenger ro-ro ferries,

HAVING CONSIDERED at its sixtieth session amendments to the Convention proposed and circulated in accordance with article VIII(b)(i) thereof,

1. ADOPTS, in accordance with article VIII(b)(iv) of the Convention, the amendments to the Convention, the text of which is set out in the Annex to the present resolution;
2. DETERMINES, in accordance with article VIII(b)(vi)(2)(bb) of the Convention, that the amendments shall be deemed to have been accepted on 1 April 1994 unless, prior to that date, more than one third of the Contracting Governments to the Convention, or Contracting Governments the combined merchant fleets of which constitute not less than 50 per cent of the gross tonnage of the world's merchant fleet, have notified their objections to the amendments;
3. INVITES Contracting Governments to note that, in accordance with article VIII(b)(vii)(2) of the Convention, the amendments shall enter into force on 1 October 1994 upon their acceptance in accordance with paragraph 2 above;
4. REQUESTS the Secretary-General, in conformity with article VIII(b)(v) of the Convention, to transmit certified copies of the present resolution and the text of the amendments contained in the Annex to all Contracting Governments to the Convention;
5. FURTHER REQUESTS the Secretary-General to transmit copies of the resolution to Members of the Organization which are not Contracting Governments to the Convention.

## ANNEX

AMENDMENTS TO CHAPTER II-1 OF THE INTERNATIONAL  
CONVENTION FOR THE SAFETY OF LIFE AT SEA, 1974Regulation 1 - Application

Existing paragraph 3 is renumbered as paragraph 3.1 and the following new paragraph 3.2 is inserted after paragraph 3.1:

"3.2 Notwithstanding the provisions of paragraph 3.1, passenger ships which undergo repairs, alterations and modifications to meet the requirements of regulation 8.9 shall not be deemed to have undergone repairs, alterations and modifications of a major character."

Regulation 8 - Stability of passenger ships in damaged condition

1 The existing text following the title is replaced by the following:

"(Subject to the provisions of paragraph 9, paragraphs 2.3.1 to 2.3.4, 2.4, 5 and 6.2 apply to passenger ships constructed on or after 29 April 1990. Paragraphs 7.2, 7.3 and 7.4 apply to all passenger ships)".

2 The following new paragraph 2.3.5 is added after existing paragraph 2.3.4:

"2.3.5 For passenger ships with ro-ro cargo spaces or special category spaces as defined in regulation II-2/3, constructed before 29 April 1990, the Administration may allow:

- .1 reduction of the minimum range of the residual righting lever curve defined in paragraph 2.3.1; and
- .2 calculation of the residual righting lever (GZ) referred to in paragraph 2.3.3 by the following formula:

$$GZ \text{ (in metres)} = \frac{\text{heeling moment}}{\text{displacement}}$$

provided that in no case shall GZ be less than 0.09 m."

3 The following new paragraph 9 is inserted after existing paragraph 8:

"9 Passenger ships with ro-ro cargo spaces or special category spaces as defined in regulation II-2/3, constructed before 29 April 1990, shall comply with the provisions of this regulation as amended by resolution MSC.12(56) and with additional paragraph 2.3.5, not later than the date prescribed below, according to the value of A/A<sub>max</sub> as defined in the annex to the Calculation Procedure to Assess the Survivability Characteristics of Existing Ro-Ro Passenger Ships When Using a Simplified Method Based Upon Resolution A.265(VIII), developed by the Maritime Safety Committee at its fifty-ninth session in June 1991 (MSC/Circ.574):

<u>Value of A/Amax</u>	<u>Date of compliance</u>
less than 70%	1 October 1994
70% or more but less than 75%	1 October 1996
75% or more but less than 85%	1 October 1998
85% or more but less than 90%	1 October 2000
90% or more but less than 95%	1 October 2005

The provisions of this regulation need not be applied to ships having the value of A/Amax of 95% or more."

### 第 58/2014 號行政長官公告

中華人民共和國是國際海事組織的成員國及一九七四年十一月一日訂於倫敦的《國際海上人命安全公約》（下稱“公約”）的締約國；

國際海事組織海上安全委員會於一九九七年六月四日透過第MSC.65 (68) 號決議通過了公約的修正案；

中華人民共和國於一九九九年十二月十三日以照會通知聯合國秘書長，經修訂的公約自一九九九年十二月二十日起適用於澳門特別行政區；

基於此，行政長官根據澳門特別行政區第3/1999號法律第六條第一款的規定，命令公佈包含上指修正案的MSC.65 (68) 號決議的中文及英文正式文本。

二零一四年九月十五日發佈。

行政長官 崔世安

### Aviso do Chefe do Executivo n.º 58/2014

Considerando que a República Popular da China é um Estado Membro da Organização Marítima Internacional e um Estado Contratante da Convenção Internacional para a Salvaguarda da Vida Humana no Mar, concluída em Londres em 1 de Novembro de 1974, adiante designada por Convenção;

Considerando igualmente que, em 4 de Junho de 1997, o Comité de Segurança Marítima da Organização Marítima Internacional, através da resolução MSC.65(68), adoptou emendas à Convenção;

Considerando ainda que a República Popular da China, por nota datada de 13 de Dezembro de 1999, notificou o Secretário-Geral das Nações Unidas sobre a aplicação da Convenção, tal como emendada, na Região Administrativa Especial de Macau, a partir de 20 de Dezembro de 1999;

O Chefe do Executivo manda publicar, nos termos do n.º 1 do artigo 6.º da Lei n.º 3/1999 da Região Administrativa Especial de Macau, a resolução MSC.65(68), que contém as referidas emendas, nos seus textos autênticos em línguas chinesa e inglesa.

Promulgado em 15 de Setembro de 2014.

O Chefe do Executivo, *Chui Sai On*.

## 第 MSC.65 (68) 號決議

(1997 年 6 月 4 日通過)

### 通過經修正的《1974 年國際海上 人命安全公約》修正案

海上安全委員會，

憶及《國際海事組織公約》有關本組織職責的第 28 (b) 條，

還憶及《1974 年國際海上人命安全公約》(此後稱為本公約)有關修正除第 I 章規定以外的本公約附件的程序的第 VIII (b) 條，

在其第六十八次會議上審議了按本公約第 VIII (b) (i) 條提議和分發的本公約修正案，

1. 按本公約第 VIII (b) (iv) 條通過本公約修正案，其案文載於本決議附件中；

2. 按本公約第 VIII (b) (vi) (2) (bb) 條決定：該套修正案在 1999 年 1 月 1 日應視為已獲接受，除非在該日期前超過三分之一的本公約締約政府或其綜合商船隊不小於世界商隊總噸位百分之五十的締約政府通知反對該套修正案；

3. 請各締約政府注意：按本公約第 VIII (b) (vii) (2) 條，該套修正案在按上述第 2 段被接受後應於 1999 年 7 月 1 日生效；

4. **要求**秘書長按照本公約第 VIII (b) (v) 條將本決議和附件中所載修正案的核證副本分發給本公約的所有締約政府。

5. **還要求**秘書長將本決議及其附件的副本分發給非本公約締約政府的本組織會員。

## 附件

### 經修正的《1974 年國際海上人命安全公約》

#### 第 II-1 和 V 章的修正案

#### 第 II-1 章

#### 構造 - 分艙與穩性、機電設備

#### B 部分 - 分艙與穩性

- 1 在現有第 8-2 條後加入下列新的第 8-3 條：

#### “第 8-3 條

對除滾裝客船外的、裝載 400 或更多人的客船的特別要求

雖有第 8 條的規定，除滾裝客船外，在 2002 年 7 月 1 日或以後建造的、核證載員人數為 400 或更多的客船在假定破損被應用於船長 L 範圍內的任何地方時，應符合第 8 條 2.3 和 2.4 款的規定。”

#### 第 V 章

#### 航行安全

- 2 在現有第 8-1 條後加上下列新的第 8-2 條：



## “第 8-2 條

### 船舶交通管制服務

1 船舶交通管制服務（交管服務）有助於海上人命安全、航行安全和效率及有助於保護海上環境、鄰近海岸區域、工地和近海裝置不受船舶交通的可能的有害影響。

2 締約政府承諾作出安排，在其認為在交通量或風險程度使此種服務為合理的地方建立交管業務。

3 計劃和實施交管服務的締約政府但凡在可能之處均應遵循本組織制定的指南。使用交通管制服務只可在沿海國領海內的海域中成為強制性規定。

4 締約政府應努力確保有權懸掛其國旗的船舶參加和遵守交管服務的規定。

5 本條或海事組織通過的指南的任何規定均不損害國際法賦予各政府的權利和義務或用於國際航行的海峽和群島海上航道的法律體制。”

**RESOLUTION MSC.65(68)**  
**(adopted on 4 June 1997)**

**ADOPTION OF AMENDMENTS TO THE INTERNATIONAL CONVENTION  
FOR THE SAFETY OF LIFE AT SEA, 1974, AS AMENDED**

THE MARITIME SAFETY COMMITTEE,

RECALLING Article 28(b) of the Convention on the International Maritime Organization concerning the functions of the Committee,

RECALLING FURTHER article VIII(b) of the International Convention for the Safety of Life at Sea (SOLAS), 1974, hereinafter referred to as "the Convention", concerning the procedures for amending the Annex to the Convention, other than the provisions of chapter I thereof,

HAVING CONSIDERED, at its sixty-eighth session, amendments to the Convention proposed and circulated in accordance with article VIII(b)(i) thereof,

1. ADOPTS, in accordance with article VIII(b)(iv) of the Convention, amendments to the Convention the text of which is set out in the Annex to the present resolution;
2. DETERMINES, in accordance with article VIII(b)(vi)(2)(bb) of the Convention, that the amendments shall be deemed to have been accepted on 1 January 1999, unless, prior to that date, more than one third of the Contracting Governments to the Convention or Contracting Governments the combined merchant fleets of which constitute not less than fifty per cent of the gross tonnage of the world's merchant fleet, have notified their objections to the amendments;
3. INVITES Contracting Governments to note that, in accordance with article VIII(b)(vii)(2) of the Convention, the amendments shall enter into force on 1 July 1999 upon their acceptance in accordance with paragraph 2 above;
4. REQUESTS the Secretary-General, in conformity with article VIII(b)(v) of the Convention, to transmit certified copies of the present resolution and the text of the amendments contained in the Annex to all Contracting Governments to the Convention;
5. FURTHER REQUESTS the Secretary-General to transmit copies of this resolution and its Annex to Members of the Organization, which are not Contracting Governments to the Convention.

## ANNEX

**AMENDMENTS TO CHAPTERS II-1 AND V OF THE INTERNATIONAL  
CONVENTION FOR THE SAFETY OF LIFE AT SEA, 1974, AS AMENDED****CHAPTER II-1****CONSTRUCTION - SUBDIVISION AND STABILITY, MACHINERY  
AND ELECTRICAL INSTALLATIONS****PART B - SUBDIVISION AND STABILITY**

- 1 The following new regulation 8-3 is added after existing regulation 8-2:

**"Regulation 8-3****Special requirements for passenger ships, other than ro-ro passenger ships,  
carrying 400 persons or more**

Notwithstanding the provisions of regulation 8, passenger ships, other than ro-ro passenger ships, certified to carry 400 persons or more constructed on or after 1 July 2002 shall comply with the provisions of paragraphs 2.3 and 2.4 of regulation 8, assuming the damage applied anywhere within the ship's length L".

**CHAPTER V****SAFETY OF NAVIGATION**

- 2 The following new regulation 8-2 is added after existing regulation 8-1:

**"Regulation 8-2****Vessel traffic services**

1 Vessel traffic services (VTS) contribute to the safety of life at sea, safety and efficiency of navigation and the protection of the marine environment, adjacent shore areas, work sites and offshore installations from possible adverse effects of maritime traffic.

2 Contracting Governments undertake to arrange for the establishment of VTS where, in their opinion, the volume of traffic or the degree of risk justifies such services.

3 Contracting Governments planning and implementing VTS shall, wherever possible, follow the guidelines developed by the Organization. The use of a VTS may only be made mandatory in sea areas within the territorial seas of a coastal State.

4 Contracting Governments shall endeavour to secure participation in, and compliance with the provisions of, VTSs by ships entitled to fly their flags.

5 Nothing in this regulation or the guidelines adopted by the Organization shall prejudice the rights and duties of Governments under international law or the legal regimes of straits used for international navigation and archipelagic sea lanes."

### 第 59/2014 號行政長官公告

中華人民共和國是國際海事組織的成員國及一九七四年十一月一日訂於倫敦的《國際海上人命安全公約》(下稱“公約”)的締約國;

國際海事組織海上安全委員會於一九九二年四月十日透過第MSC.24(60)號決議通過了公約第II-2章關於現有客船的防火安全措施的修正案;

中華人民共和國於一九九九年十二月十三日以照會通知聯合國秘書長,經修訂的公約自一九九九年十二月二十日起適用於澳門特別行政區;

基於此,行政長官根據澳門特別行政區第3/1999號法律第六條第一款的規定,命令公佈包含上指修正案的MSC.24(60)號決議的中文及英文正式文本。

二零一四年九月十五日發佈。

行政長官 崔世安

### Aviso do Chefe do Executivo n.º 59/2014

Considerando que a República Popular da China é um Estado Membro da Organização Marítima Internacional e um Estado Contratante da Convenção Internacional para a Salvaguarda da Vida Humana no Mar, concluída em Londres em 1 de Novembro de 1974, adiante designada por Convenção;

Considerando igualmente que, em 10 de Abril de 1992, o Comité de Segurança Marítima da Organização Marítima Internacional, através da resolução MSC.24(60), adoptou emendas ao capítulo II-2 da Convenção, relativas às medidas de segurança contra incêndios em navios de passageiros existentes;

Considerando ainda que a República Popular da China, por nota datada de 13 de Dezembro de 1999, notificou o Secretário-Geral das Nações Unidas sobre a aplicação da Convenção, tal como emendada, na Região Administrativa Especial de Macau, a partir de 20 de Dezembro de 1999;

O Chefe do Executivo manda publicar, nos termos do n.º 1 do artigo 6.º da Lei n.º 3/1999 da Região Administrativa Especial de Macau, a resolução MSC.24(60), que contém as referidas emendas, nos seus textos autênticos em línguas chinesa e inglesa.

Promulgado em 15 de Setembro de 2014.

O Chefe do Executivo, *Chui Sai On*.

## 第 MSC.24 (60) 號決議

(1992 年 4 月 10 日通過)

通過《1974 年國際海上人命安全公約》

### 第 II - 2 章的修正案

#### 現有客船的防火安全措施

海上安全委員會，

憶及《國際海事組織公約》有關本委員會職責的第 28 (b) 條，

還憶及《1974 年國際海上人命安全公約》(此後稱為“該公約”)有關該公約附件除第 I 章規定以外的修正程序的第 VIII (b) 條，

關切近來發生的造成人命喪失的嚴重火災事故，

認識到改善現有客船的防火安全措施的緊迫需要，

在其第六十次會議上審議了按該公約第 VIII (b) (i) 條建議和散發的該公約的修正案，

1. 按照該公約第 VIII (b) (iv) 條通過該公約的修正案，其文本載於本決議的附件中；
2. 按照該公約第 VIII (b) (vi) (2) (bb) 條決定：這些修正案在 1994 年 4 月 1 日應視為已獲接受，除非在該日期前，多於三分之一

的該公約締約政府，或其合計商船船隊不少於世界商船船隊 50%總噸位的締約政府通知反對這些修正案；

3. 請各締約政府注意：按照該公約第 VIII (b) (vii) (2) 條，這些修正案在按上述第 2 段得到接受後，應於 1994 年 10 月 1 日生效；

4. 按該公約第 VIII (b) (v) 條，要求秘書長將本決議及其附件中所載的修正案案文的核證無誤副本分發給該公約的所有締約政府；

5. 還要求秘書長將本決議的副本分發給非屬該公約締約政府的本組織會員。

## 附件

### 《1974 年國際海上人命安全公約》

#### 第 II-2 章的修正案

##### 第 1 條 適用範圍

- 1 現有第 3 款改為 3.1 款，在 3.1 款後插入新的第 3.2 款如下：  
“3.2 儘管有第 3.1 款的規定，載客多於 36 人的客船在進行修理、改裝、改建以及與此有關的舾裝時應符合下述規定：
  - .1 這些船舶上採用的所有材料應符合適用於對在 1994 年 10 月 1 日及以後建造的船舶的材料的要求；和
  - .2 其替換材料達 50 噸或大於 50 噸的所有修理、改裝、改建以及與此有關的舾裝，除第 41-1 條要求者外，應符合適用於在 1994 年 10 月 1 日及以後建造的此種船舶的要求。”

##### 第 3 條 定義

- 2 在現有第 22 款後插入下述新的第 22-1 和第 22-2 款：  
“22-1 ‘中心控制站’是集中了下述控制和指示職能的控制站：
  - .1 固定式探火和報警系統；
  - .2 自動噴水器、探火和報警系統；
  - .3 防火門指示器面板；
  - .4 防火門關閉；

- .5 水密門指示器面板；
- .6 水密門開啟和關閉；
- .7 排風扇；
- .8 總警報／火災警報；
- .9 包括電話在內的通訊系統；和
- .10 用於廣播系統的話筒。

22-2‘連續有人的控制站’是連續有負責船員的中心控制站。”

### 第 17 條 消防員的裝備

- 3 在現有第 1.2.2 款末尾加上下述句子：  
“在載客多於 36 人的客船上，每一呼吸器至少應有兩個備用充氣量，呼吸器的所有氣應是可互換的”。
- 4 在現有第 3.1.1 款末尾加上下述句子：  
“在載客多於 36 人的客船上，每一主垂直區應提供兩套額外的消防員裝備”。
- 5 在現有第 4 款末尾加上下述句子：  
“在每一主垂直區中應至少存放兩套消防員裝備”。
- 6 在現有第 41 條後插入下述新的第 41-1 和第 41-2 條：

#### “第 41-1 條

#### 1994 年 10 月 1 日前建造的載客

#### 多於 36 人的客船的升級

- 1 本條適用於 1994 年 10 月 1 日前建造的載客多於 36 人的客船。



2 未符合適用於在 1980 年 5 月 25 日或以後建造的船舶的第 II-2 章全部要求的客船（1974 年國際海上人命安全會議通過的《1974 年國際海上人命安全公約》第 II-2 章的要求，適用於新客船）應符合下述要求：

- .1 不遲於 1994 年 10 月 1 日：第 41-2 條第 1 款；和
- .2 不遲於 1997 年 10 月 1 日：第 41-2 條第 2、3、4 和 5 款；  
和
- .3 不遲於 2000 年 10 月 1 日：第 41-2 條第 6 款；和
- .4 不遲於 2010 年 10 月 1 日：適用於 1980 年 5 月 25 日或以後建造的船舶的第 II-2 章的全部要求（1974 年國際海上人命安全會議通過的《1974 年國際海上人命安全公約》第 II-2 章的要求，適用於新客船）。

3 符合適用於 1980 年 5 月 25 日或以後建造的船舶全部要求（經第 MSC.1（XLV）、MSC.6（48）、MSC.11（55）、MSC.12（56）、MSC.13（57）和 MSC.22（59）號決議修正的《1974 年國際海上人命安全公約》第 II-2 章的適用要求）的客船，應符合下述要求：

- .1 不遲於 1994 年 10 月 1 日：第 41-2 條第 1 款；和
- .2 不遲於 1997 年 10 月 1 日：第 41-2 條第 2 和第 4 款；和
- .3 不遲於 2000 年 10 月 1 日：第 41-2 條第 6 款；和
- .4 不遲於 2005 年 10 月 1 日或在船舶建造之日後 15 年，以遲者為準：第 41-2 條第 5 款。

4 就本條而言，完全符合本組織大會以第 A.122（V）號決議通過的《1960 年國際海上人命安全公約》修正案中所載的第 II 章 H 部分的全部要求的客船可視為符合適用於在 1980 年 5 月 25 日或其後建造的

客船的要求的客船（1974 年國際海上人命安全會議通過的《1974 年國際海上人命安全公約》第 II-2 章的要求，適用於新客船）。

## 第 41-2 條

### 對在 1994 年 10 月 1 日前建造的

#### 載客多於 36 人的客船的要求

1.1 第 20 條所要求的圖和小冊子，應按照本組織制定的指南，提供有關防火、探火和滅火的資料。

1.2 防火巡邏的每一成員應配備雙向手提式無線電電話機。

1.3 應按第 7.6、17.3.2、37.1.5.1 條要求提供水霧槍。

1.4 應按第 7.1.2、7.2.2 和 37.1.5.2 條要求，提供手提式泡沫槍。

1.5 提供的所有軟管噴嘴應是帶有關閉裝置的、經認可的兩用型（即噴霧／噴水型）。

2 所有的居住艙室和服務處所，梯道圍閉和走廊應配備符合第 13 條要求、型號經認可的探煙和警報系統。這種系統不必裝在私人浴室和幾乎沒有或沒有火災危險的處所內，如空位和類似處所。在廚房裏安裝的探測器應是由受熱而不是煙啟動的探測器。

3 在天花板是易燃結構的區域中，連接於探煙和警報系統的探煙器還應安裝在梯道和走廊的天花板之上。

4.1 在梯道圍閉主垂直區艙壁和廚房周沿的、通常保持開放狀態的鉸接防火門，應能自動關閉，並能從中心控制站和門的位置釋放。

4.2 在連續有人的中心控制站應放置一指示器面板，指示在梯道圍閉、主垂直區艙壁和廚房周沿上的防火門是否關閉。

4.3 廚房的爐灶可能聚積油脂和通過居住處所或含有易燃材料的處所的排氣管應為“A”級分隔結構。每一廚房用爐灶的排氣管應裝有：

- .1 易於拿開清洗的集油器，除裝除有替代清洗油脂的裝置；
- .2 位於排氣管下端的擋火板；
- .3 從廚房裏操縱的排氣扇關閉裝置；
- .4 用於熄滅排氣管內失火的固定裝置；和
- .5 供檢查和清洗用的、位置恰當的開口。

4.4 只有公共廁所、電梯、供貯放安全設備的、用非易燃材料製作的儲物櫃和放置公開資料的櫃檯可位於梯道圍欄區域內。在梯道圍閉內的其他現有處所：

- .1 應騰空、永久封閉並與電氣系統斷開；或
- .2 應按照第 26 條，使用“A”級分隔類似的處所。在這些處所有噴水系統的前提下，它們可按第 26 條使用“A”級門直接通入梯道圍閉，但艙室不應直接通到梯道圍閉。

4.5 公共處所、走廊、公共廁所、特種處所、第 28.1.5 條所要求的其他梯道、露天甲板處所和第 4.4.2 款規定的處所以外的其他處所不允許直接通入梯道圍閉。

4.6 第 26.2.2 條中規定的（10）類的現有機器處所和直接通入梯道圍閉的用作資料櫃檯的現有後部辦公室可予保留，但它們應由探煙器加以保護並且用作資料櫃檯的後部辦公室內僅有火災危險較小的家俱。

4.7 在第 II-1/42 和 III/11.5 條要求的應急照明外，包括梯道和出口的脫險通道應在脫險路線的所有轉彎和交叉點上由在不高於甲板 0.3 米

處放置的照明的或螢光帶的指示器作出標誌。這種標誌應能使旅客識別所有的脫險路線並立即認出脫險出口。如使用電照明，應由應急電源供電，且其佈置應能做到任何單盞燈的故障或照明帶的缺損不會使標誌失去效用。此外，所有脫險路線標誌和消防設備位置標誌應為螢光材料。主管機關應確保這些照明的或螢光的設備已按照本組織制定的指南得到評定、試驗和應用。

4.8 應提供總緊急警報系統。該警報應能在全部起居處所、通常船員工作處所和露天甲板聽到，其聲壓級應符合本組織制訂的標準。警報在它已被啟動後應繼續鳴響，直至手動關閉或被廣播系統中的通知暫時打斷。

4.9 應備有廣播系統或其他有效的通訊手段，並能在整個起居處所、公共和服務處所、控制站和露天甲板都能聽到。

4.10 梯道圍閉中的家俱應僅限於座具。它應是固定的、每一梯道圍閉的每層甲板上限於六個座位，它們應是低火災危險的，並不應限制旅客脫險路線。主管機關可允許在梯道圍閉內的主要接待區域增加座位，但應是固定的、不燃的，並不限制旅客的脫險路線。在構成住艙區域脫險路線的旅客和船員走廊內不允許有家俱。除上述以外，還可允許裝有不燃材料製作的、用於存放條款要求的安全設備的儲物櫃。

5 居住和服務處所、梯道圍閉和走廊應裝有自動噴水、探火和失火警報系統，它應符合第 12 條的要求或符合本組織為經認可的等效噴水系統所制訂的指南。噴水系統不需安裝在私人浴室和幾乎沒有或沒有火災危險的處所，如空位和類似處所。

6.1 除下述者外，在居住和服務處所內的所有梯道應是鋼架結構，除非主管機關批准使用其他等效材料；在圍閉內應由“A”級分隔構成，在所有開口處均裝有可靠的關閉裝置：

- .1 僅連接兩層甲板的梯道不需圍閉，但需由適當的艙壁或在一甲板間處所內的門保持甲板的完整性。當一梯道在一甲板間處所圍閉時，梯道圍閉應按照第 26 條中的甲板表予以保護；
- .2 梯道可以露天安裝在公共處所，但應整體位於該公共處所內。

6.2 A 類機器處所應裝有符合第 7 條要求的固定消防系統。

6.3 穿過主垂直區間的分隔的通風管應裝有故障保險式的自動關閉擋火板。擋火板還應能從分隔的每一邊手動關閉。此外，供居住和服務處所共用的所有通風管和此種通風管所穿過的梯道圍閉均應裝有可從圍閉中手動操作的故障保險型的自動關閉擋火板。穿過主防火區分隔而不供其兩邊的處所使用的通風管或穿過梯道圍閉而不供該圍閉使用的通風管，不需安裝擋火板，但此種管道的結構和絕熱應符合 A-60 標準並在梯道圍閉中沒有開口或在管弄中不直接供其使用的一側沒有開口。

6.4 特種處所和滾裝貨物處所應分別符合第 37 和 38 條要求。

6.5 梯道圍閉、主垂直區艙壁和廚房周沿上通常保持開啟的所有防火門均應能從中心控制站和門的位置上予以釋放。”

RESOLUTION MSC.24(60)  
(adopted on 10 April 1992)

ADOPTION OF AMENDMENTS TO CHAPTER II-2 OF THE INTERNATIONAL  
CONVENTION FOR THE SAFETY OF LIFE AT SEA, 1974

FIRE SAFETY MEASURES FOR EXISTING PASSENGER SHIPS

THE MARITIME SAFETY COMMITTEE,

RECALLING Article 28(b) of the Convention on the International Maritime Organization concerning the functions of the Committee,

RECALLING FURTHER article VIII(b) of the International Convention for the Safety of Life at Sea, 1974, hereinafter referred to as "the Convention", concerning the procedures for amending the Annex to the Convention, other than the provisions of chapter I,

BEING CONCERNED about recent serious fire casualties resulting in the loss of human life,

RECOGNIZING that there is a compelling and urgent need to improve the fire safety measures for existing passenger ships,

HAVING CONSIDERED at its sixtieth session amendments to the Convention proposed and circulated in accordance with article VIII(b)(i) thereof,

1. ADOPTS, in accordance with article VIII(b)(iv) of the Convention, the amendments to the Convention, the text of which is set out in the Annex to the present resolution;
2. DETERMINES, in accordance with article VIII(b)(vi)(2)(bb) of the Convention, that the amendments shall be deemed to have been accepted on 1 April 1994 unless, prior to that date, more than one third of the Contracting Governments to the Convention, or Contracting Governments the combined merchant fleets of which constitute not less than 50 per cent of the gross tonnage of the world's merchant fleet, have notified their objections to the amendments;
3. INVITES Contracting Governments to note that, in accordance with article VIII(b)(vii)(2) of the Convention, the amendments shall enter into force on 1 October 1994 upon their acceptance in accordance with paragraph 2 above;
4. REQUESTS the Secretary-General, in conformity with article VIII(b)(v) of the Convention, to transmit certified copies of the present resolution and the text of the amendments contained in the Annex to all Contracting Governments to the Convention;
5. FURTHER REQUESTS the Secretary-General to transmit copies of the resolution to Members of the Organization which are not Contracting Governments to the Convention.

## ANNEX

AMENDMENTS TO CHAPTER II-2 OF THE INTERNATIONAL CONVENTION  
FOR THE SAFETY OF LIFE AT SEA, 1974Regulation 1 - Application

1 Existing paragraph 3 is renumbered as paragraph 3.1 and the following new paragraph 3.2 is inserted after paragraph 3.1:

"3.2 Notwithstanding the provisions of paragraph 3.1, passenger ships carrying more than 36 passengers when undergoing repairs, alterations, modifications and outfitting related thereto shall comply with the following:

- .1 all materials introduced to these ships shall comply with the requirements with regard to material applicable to ships constructed on or after 1 October 1994; and
- .2 all repairs, alterations, modifications and outfitting related thereto involving the replacement of material of 50 tonnes or above, other than that required by regulation 41-1, shall comply with the requirements applicable to such ships constructed on or after 1 October 1994."

Regulation 3 - Definitions

2 The following new paragraphs 22-1 and 22-2 are inserted after existing paragraph 22:

"22-1 "Central control station" is a control station in which the following control and indicator functions are centralized:

- .1 fixed fire detection and alarm system;
- .2 automatic sprinklers, fire detection and alarm system;
- .3 fire door indicator panel;
- .4 fire door closure;
- .5 watertight door indicator panel;
- .6 watertight door opening and closing;
- .7 ventilation fans;
- .8 general/fire alarm;
- .9 communication systems including telephones; and
- .10 microphone to public address system.

22-2 "Continuously manned central control station" is a central control station which is continuously manned by a responsible member of the crew."

Regulation 17 - Fireman's outfit

3 The following sentence is added at the end of existing paragraph 1.2.2:

"In passenger ships carrying more than 36 passengers, at least two spare charges for each breathing apparatus shall be provided, and all air cylinders for breathing apparatus shall be interchangeable".

4 The following sentence is added at the end of existing paragraph 3.1.1:

"In passenger ships carrying more than 36 passengers, two additional fireman's outfit shall be provided for each main vertical zone".

5 The following sentence is added at the end of existing paragraph 4:

"At least two fireman's outfits shall be stored in each main vertical zone".

6 The following new regulations 41-1 and 41-2 are inserted after existing regulation 41:

"Regulation 41-1

Upgrading of passenger ships carrying more than 36 passengers  
constructed before 1 October 1994

1 This regulation shall apply to passenger ships carrying more than 36 passengers constructed before 1 October 1994.

2 Passenger ships which do not comply with all the requirements of chapter II-2 applicable to ships constructed on or after 25 May 1980 (requirements of chapter II-2 of the International Convention for the Safety of Life at Sea, 1974, as adopted by the International Conference on Safety of Life at Sea, 1974, applicable to new passenger ships) shall comply with the following:

- .1 paragraph 1 of regulation 41-2 not later than 1 October 1994; and
- .2 paragraphs 2, 3, 4 and 5 of regulation 41-2, not later than 1 October 1997; and
- .3 paragraph 6 of regulation 41-2 not later than 1 October 2000; and
- .4 all the requirements of chapter II-2 applicable to ships constructed on or after 25 May 1980 (requirements of chapter II-2 of the International Convention for the Safety of Life at Sea, 1974, as adopted by the International Conference on Safety of Life at Sea, 1974, applicable to new passenger ships), not later than 1 October 2010.

3 Passenger ships which comply with all the requirements applicable to ships constructed on or after 25 May 1980 (applicable requirements of chapter II-2 of the International Convention for the Safety of Life at Sea, 1974, as amended by resolutions MSC.1(XLV), MSC.6(48), MSC.11(55), MSC.12(56), MSC.13(57) and MSC.22(59)) shall comply with the following:

- .1 paragraph 1 of regulation 41-2 not later than 1 October 1994; and
- .2 paragraphs 2 and 4 of regulation 41-2 not later than 1 October 1997; and
- .3 paragraph 6 of regulation 41-2 not later than 1 October 2000; and
- .4 paragraph 5 of regulation 41-2 not later than 1 October 2005 or 15 years after the date of construction of the ships, whichever is later.



4 For the purpose of this regulation, passenger ships complying in their entirety with all the requirements of part H of chapter II contained in amendments to the International Convention for the Safety of Life at Sea, 1960, adopted by the Assembly of the Organization by resolution A.122(V), may be regarded as passenger ships complying with the requirements applicable to passenger ships constructed on or after 25 May 1980 (requirements of chapter II-2 of the International Convention for the the Safety of Life at Sea, 1974, as adopted by the International Conference on Safety of Life at Sea, 1974, applicable to new passenger ships).

#### Regulation 41-2

##### Requirements for passenger ships carrying more than 36 passengers constructed before 1 October 1994

- 1.1 Plans and booklets required by regulation 20 shall provide the information regarding fire protection, fire detection and fire extinction based on the guidelines developed by the Organization.
- 1.2 Each member of the fire patrol shall be provided with a two-way portable radiotelephone apparatus.
- 1.3 Water fog applicators shall be provided as required in regulations 7.6, 17.3.2 and 37.1.5.1.
- 1.4 Portable foam applicators shall be provided as required in regulations 7.1.2, 7.2.2 and 37.1.5.2.
- 1.5 All hose nozzles provided shall be of an approved dual-purpose type (i.e. spray/jet type) incorporating a shutoff.
- 2 All accommodation and service spaces, stairway enclosures and corridors shall be equipped with a smoke detection and alarm system of an approved type and complying with the requirements of regulation 13. Such system need not be fitted in private bathrooms, and spaces having little or no fire risk such as voids and similar spaces. Detectors operated by heat instead of smoke shall be installed in galleys.
- 3 Smoke detectors connected to the smoke detection and alarm system shall also be fitted above ceilings in stairways and corridors in the areas where ceilings are of combustible construction.
- 4.1 Hinged fire doors in stairway enclosures, main vertical zone bulkheads and galley boundaries which are normally kept open shall be self-closing and be capable of release from a central control station and from a position at the door.
- 4.2 A panel shall be placed in a continuously manned central control station to indicate whether the fire doors on stairway enclosures, main vertical zone bulkheads and galley boundaries are closed.
- 4.3 Exhaust ducts from galley ranges where grease or fat is likely to accumulate and which pass through accommodation spaces or spaces containing combustible materials shall be constructed of "A" class divisions. Each galley range exhaust duct shall be fitted with:

- .1 a grease trap readily removable for cleaning, unless an alternative grease removal process is fitted;
- .2 a fire damper located in the lower end of the duct;
- .3 arrangements operable from within the galley for shutting off the exhaust fans;
- .4 fixed means for extinguishing a fire within the duct; and
- .5 suitably located hatches for inspection and cleaning.

4.4 Only public toilets, lifts, lockers of non-combustible materials providing storage for safety equipment and open information counters may be located within the stairway enclosure boundaries. Other existing spaces within the stairway enclosure:

- .1 shall be emptied, permanently closed and disconnected from the electrical system; or
- .2 shall be separated from the stairway enclosure by the provision of "A" class divisions in accordance with regulation 26. Such spaces may have direct access to stairway enclosures by the provision of "A" class doors in accordance with regulation 26, and subject to a sprinkler system being provided in these spaces. However, cabins shall not directly open into the stairway enclosure.

4.5 Spaces other than public spaces, corridors, public toilets, special category spaces, other stairways required by regulation 28.1.5, open deck spaces and spaces covered by paragraph 4.4.2 are not permitted to have direct access to stairway enclosures.

4.6 Existing machinery spaces of category (10) described in regulation 26.2.2 and existing back offices for information counters which open directly into the stairway enclosure may be retained, provided that they are protected by smoke detectors and that back offices for information counters contain only furniture of restricted fire risk.

4.7 In addition to the emergency lighting required by regulations II-1/42 and III/11.5, the means of escape including stairways and exits shall be marked, at all points of the escape route including angles and intersections, by lighting or photoluminescent strip indicators placed not more than 0.3 m above the deck. The marking must enable passengers to identify all routes of escape and readily identify the escape exits. If electric illumination is used, it shall be supplied by the emergency source of power and it shall be so arranged that the failure of any single light, or cut in a lighting strip, will not result in the marking being ineffective. Additionally, all escape route signs and fire equipment location markings shall be of photoluminescent material. The Administration shall ensure that such lighting or photoluminescent equipment has been evaluated, tested and applied in accordance with the guidelines developed by the Organization.

4.8 A general emergency alarm system shall be provided. The alarm shall be audible throughout all the accommodation and normal crew working spaces and

open decks, and its sound pressure level shall comply with the standard developed by the Organization. The alarm shall continue to function after it has been triggered until it is manually turned off or is temporarily interrupted by a message on the public address system.

4.9 A public address system or other effective means of communication shall be available and audible throughout the accommodation, public and service spaces, control stations and open decks.

4.10 Furniture in stairway enclosures shall be limited to seating. It shall be fixed, limited to six seats on each deck in each stairway enclosure, be of restricted fire risk, and shall not restrict the passenger escape route. The Administration may permit additional seating in the main reception area within stairway enclosures, if it is fixed, non-combustible, and does not restrict the passenger escape route. Furniture shall not be permitted in passenger and crew corridors forming escape routes in cabin areas. In addition to the above, lockers of non-combustible material, providing storage for safety equipment required by regulations, may be permitted.

5 Accommodation and service spaces, stairway enclosures and corridors shall be fitted with an automatic sprinkler, fire detection and fire alarm system complying with the requirements of regulation 12 or the guidelines developed by the Organization for an approved equivalent sprinkler system. A sprinkler system need not be fitted in private bathrooms and spaces having little or no fire risk such as voids and similar spaces.

6.1 All stairways in accommodation and service spaces shall be of steel frame construction except where the Administration sanctions the use of other equivalent material, and shall be within enclosures formed of "A" class divisions, with positive means of closure at all openings, except that:

- .1 a stairway connecting only two decks need not be enclosed, provided the integrity of the deck is maintained by proper bulkheads or doors in one 'tween-deck space. When a stairway is closed in one 'tween-deck space, the stairway enclosure shall be protected in accordance with the tables for decks in regulation 26;
- .2 stairways may be fitted in the open in a public space, provided they lie wholly within such public space.

6.2 Machinery spaces of category A shall be fitted with a fixed fire-extinguishing system complying with the requirements of regulation 7.

6.3 Ventilation ducts passing through divisions between main vertical zones shall be equipped with a fail-safe automatic closing fire damper which shall also be capable of being manually closed from each side of the division. In addition, fail-safe automatic closing fire dampers with manual operation from within the enclosure shall be fitted to all ventilation ducts serving both accommodation and service spaces and stairway enclosures where they pierce such enclosures. Ventilation ducts passing through a main fire zone division without serving spaces on both sides or passing through a stairway enclosure

without serving that enclosure need not be fitted with dampers provided that the ducts are constructed and insulated to A-60 standard and have no openings within the stairway enclosure or in the trunk on the side which is not directly served.

6.4 Special category spaces and ro-ro cargo spaces shall comply with the requirements of regulations 37 and 38, respectively.

6.5 All fire doors in stairway enclosures, main vertical zone bulkheads and galley boundaries which are normally kept open shall be capable of release from a central control station and from a position at the door."

二零一四年九月十五日於行政長官辦公室

Gabinete do Chefe do Executivo, aos 15 de Setembro de  
2014. — O Chefe do Gabinete, *Alexis, Tam Chon Weng*.

辦公室主任 譚俊榮



印務局  
Imprensa Oficial

每份售價 \$612.00  
PREÇO DESTE NÚMERO \$612,00